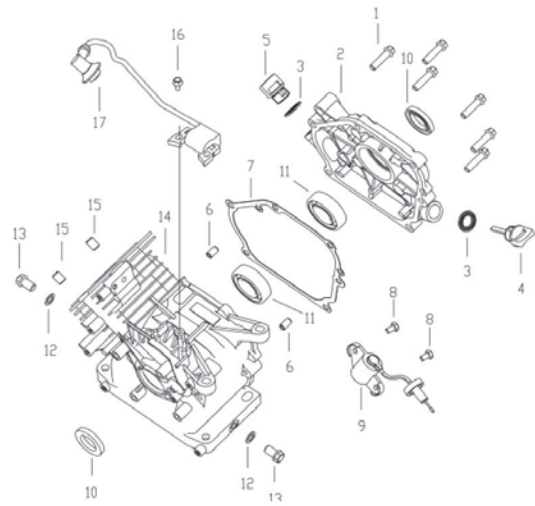


# PARTS DIAGRAM

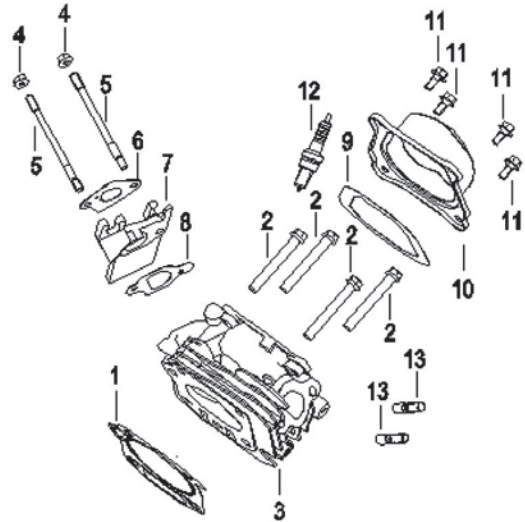
## CRANKCASE ASSEMBLY

NO.	PART NO.	DESCRIPTION	QTY
1	B0133080306B	Bolt M8x30	6
2	31010121001000	Cover, Crankcase	1
3	31050112001000	Oil Seal, Dipstick	2
4	31040121001000	Dipstick	1
5	31030121001000	Plug	1
6	31100121001000	Guide Dowel 8x14	2
7	31020121001001	Gasket, Crankcase	1
8	B0133060166B	Bolt M6x16	2
9	21040121001000	Oil level sensor	1
10	21020121001000	Oil Seal 25x 41.25x6	2
11	B12016020553	Bearing 6205/P53	2
12	31070124001001	Washer, Drain Plug	2
13	31060124001000	Drain Plug	2
14	21020123001003	Crankcase Body	1
15	32070132001000	Guide Dowel 10x14	2
16	B0131060206B	Bolt M6x20	1
17	24010423003000	Ignition Coil	1



## CYLINDER HEAD

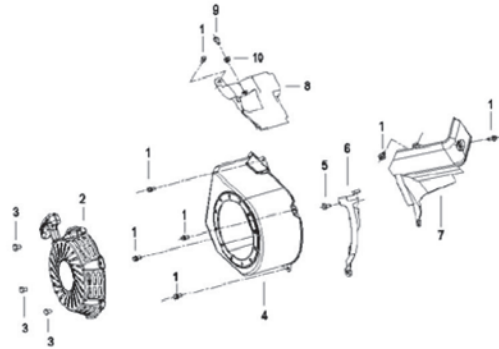
NO.	PART NO.	DESCRIPTION	QTY
1	32011123001000	Gasket, Cylinder Head	1
2	B0133080606B	Bolt, Cylinder Head M8x60	4
3	22020122001002	Cylinder Head Assembly	1
4	B0428060002B	Nut M6	2
5	32060116001000	Double End Stud	2
6	32050121001001	Gasket, Intake 1	1
7	32020121001000	Spacer, Heat Insulating	1
8	32040121001001	Gasket, Intake 2	1
9	32060121001000	Gasket, Cylinder Head Cover	1
10	22040121001003	Cylinder Head Cover	1
11	B0131060146B	Bolt M6x14	4
12	22070121001000	Spark Plug	1
13	32070121001000	Double End Stud	2



# PARTS DIAGRAM

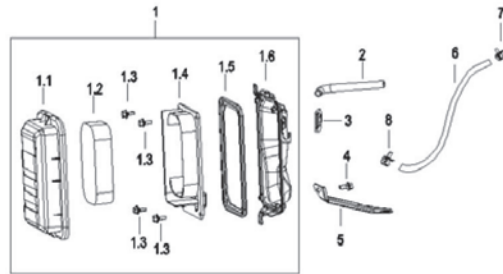
## PLATE VENTILATION HOOD COMPONENTS

NO.	PART NO.	DESCRIPTION	QTY
1	B0131060106B	Bolt M6x10	7
2	26020121001091	Starter Assembly	1
3	B0131060086B	Bolt M6x8	3
4	26010123041000	Engine Side Cover Assy.	1
5	B0131060206B	Bolt M6x20	1
6	26020123041000	Shield 1	1
7	36180121001000	Shield 2	1
8	36010123041000	Shoud Assy. (UPPER)	1
9	B0133060306B	Bolt M6x30	1
10	B0428060002B	Nut M6	1



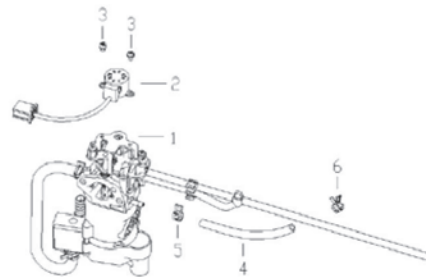
## AIR CLEANER

NO.	PART NO.	DESCRIPTION	QTY
1	27020121002002	Air Filter Assembly	1
2	37090121002000	Breather Tube	1
3	27080121001000	Spacer	1
4	B0131060106B	Bolt M6x12	1
5	37100121002000	Air Filter Bracket	1
6	37530121001000	Rubber Pipe 5 x 8	1
7	37060132018000	Clamp 7	1
8	37010117001000	Clamp 10	1



## CARBURETOR

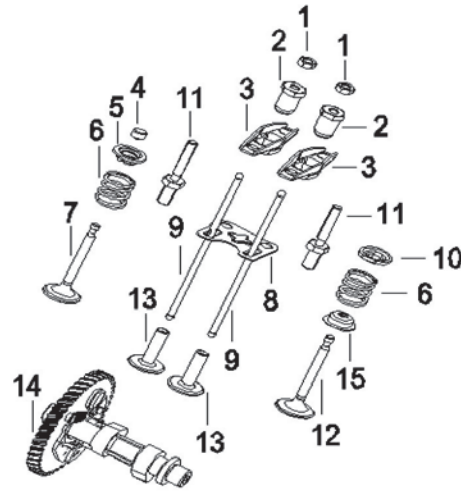
NO.	PART NO.	DESCRIPTION	QTY
1	27010123002004	Carburetor Assembly	1
2	37440119001000	Stepping-motor	1
3	B0221040062B	Screw M4x6	2
4	37520121001001	Rubber Pipe 4.5 x 8.5	1
5	37200121001000	Clamp 8	1
6	38040121002000	Clamp 8.5	1



# PARTS DIAGRAM

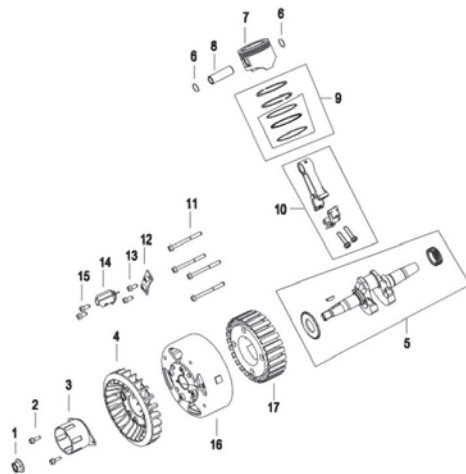
## Valve Assembly

NO.	PART NO.	DESCRIPTION	QTY
1	33100124001000	Nut, Valve Clearance Adjustment	2
2	33050127002000	Button head, Arm	2
3	33080121001000	Arm	2
4	33020121001000	Cap, Exhaust Rod	1
5	33090121001000	Upper Retainer, Exhaust Valve Spring	1
6	33060121001000	Spring, Valve	2
7	33040121001002	Valve, Exhaust	1
8	23060121001000	Guide Plate, Connecting Stud	1
9	23040121001000	Rod, Connecting	2
10	33070121001000	Upper Retainer, Intake Valve Spring	1
11	33020127002000	Adjusting Stud, Valve Clearance	2
12	33050121001002	Valve, Intake	1
13	33010122001000	Stud, Connecting	2
14	23020122001002	Camshaft	1
15	23020132001000	Oil Seal	1



## CRANKSHAFT ASSEMBLY

NO.	PART NO.	DESCRIPTION	QTY
1	B0429141505B	Nut, Clamp	1
2	B0131060146B	Start-Up Ratchet Gear	2
3	26030123041000	Fan Wheel	1
4	34020123041000	Fly Wheel	1
5	24020123002000	Crankshaft	1
6	34070121001000	Circlip , Piston Pin	2
7	34010123001001	Piston	1
8	34060121001000	Pin, Piston	1
9	24020123001001	Piston Ring Assembly	1
10	24040121001000	Connecting Rod Assembly	1
11	B0131060606B	Bolt M6x60	4
12	28010123041000	Support	1
13	B0133060166B	Bolt M6x16	2
14	24020423003000	Generator, Pulse	1
15	B0131050126B	Bolt M5x12	2
16	20020423003000	Rotator	1
17	20010423003000	Stator Assy.	1





## PARTS LIST

NO.	PART NO.	DESCRIPTION	QTY	NO.	PART NO.	DESCRIPTION	QTY
1	21010423003750	Fuel Tank Comp	1	56	22060411500000	T-Socket	1
2	21050412600000	Sump Cover Subassembly	1	57	22030414502002	RV Socket	1
3	31040412600001	Filtering Net	1	58	22020423003000	Control Cable	1
4	21010412900001	Oil Spill Valve	1	59	22040423003000	Output Cable	1
5	37060132018000	Fuel Pipe Clip $\phi 7$	1	60	22050423003000	DC Output Cable	1
6	B01310602067	Bolt M6*20	4	61	22060423003000	Ground Cable	1
7	B07020006047	Washer $\phi 6$	4	62	32010423003000	Bottom Shell	1
8	31020412600010	Fuel Tank Rubber Hose	4	63	B02210601427	Screw M6*14	2
9	31010412600000	Fuel Tank Rubber	4	64	B01310602066	Bolt M6*20	2
10	36030423003750	Right Decorative	1	65	22060423001000	Inverter Unit	1
11	B01310601067	Bolt M6*10	10	66	36040416500000	Damping Pad	4
12	37530121001000	Hose $\phi 5 * \phi 8 * 580$	1	67	B04280800046	Nut M8	16
13	31010423003000	Fuel Tank Protecror	1	68	26010423003120	Frame Welding Components	1
14	B01310601066	Bolt M6*10	3	69	B01310803566	Bolt M8*35	2
15	30090422001000	Ground Connecting Symbol $\phi 6$	2	70	26020423003000	Shockproof Mounting Feet	2
16	B07180006056	Lock Washer $\Phi 6$	3	71	26020412300000	Right Shockproof Mounting Feet	2
17	27180121001000	Fuel Lid Assembly	1	72	36010423003120	Engine Mounting Plate	2
18	37520121001001	Fuel Hose $\phi 4. 5 * \phi 8. 5 * 180$	1	73	B02210601026	Screw M6*10	2
19	37200121001000	Fuel Pipe Clip $\phi 8$	3	74	24040423003120	Recoil Handle Ornament Comp.	1
20	101230410001000	Engine	1	75	31710422401800	Pull Start Handle	1
21	37010117001000	Fuel Pipe Clip $\phi 10$	1	76	31720422401120	Pull Start Handle Cover	1
22	36080423003000	Aluminium-foil Paper II	1	77	21020411503000	Fuel Cock	1
23	33010423003000	Inlet Hood	1	78	34220422003800	Fuel Switch Handle	1
24	3X230457501000	Stainless Clamp	2	79	30040422001670	Screw(Black)	1
25	3X220457501000	Fuel Gas Hose 3/8*400	1	80	B02210401227	Screw M4*12	2
26	25040422003001	USB Socket	1	81	36020423003750	Left Decorative	1
27	22030423003000	Ignition Set	1	82	36070423003000	Aluminium-foil Paper I	1
28	B13080501227	Screw M5*12	1	83	36090423003000	Insulating Foam, Rear Cover	1
29	B01310501726	Bolt M5*17	1	84	36060423003000	Rear Cover(Black)	1
30	33040412300000	Rectifier KB2506	1	85	B02210601627	Screw M6*16	4
31	B07180005056	Lock Washer $\Phi 5$	3	86	36040423003000	Fuel Tank Decoration Cover	1
32	B13080500827	Screw M5*8	3	87	25010423003000	Muffler	1
33	32060421202000	Ground Connecting Symbol $\phi 5$	1	88	35020412300000	Muffler Gasket	1
34	22180421202000	Parallel Connection Socket	2	89	35050423003000	Muffler Wind Scooper Protector I	1
35	B28421200010	AC Protector 20A	1	90	35060423003000	Muffler Wind Scooper Protector II	1
36	B04280400047	Nut M4	6	91	B01310601666	Bolt M6*16	1
37	22070413200000	Standard Outlet	1	92	35020423003000	Muffler Wind Scooper I	1
38	B02210601627	Screw M6*16	2	93	30220421202000	Reed Nut M5	3
39	22010423003120	Panel	1	94	B01310801666	Bolt M8*16	2
40	B05210401207	Screw ST4*12	2	95	23010423003000	Fan Fixed Seat	1
41	B04010600048	Nut M6	1	96	33020423003000	Fan	1
42	B02210401227	Screw M4*12	6	97	B01310601666	Bolt M6*16	2
43	31780422401020	Ground Nut	1	98	35090423003000	Insulating Foam, Muffler	1
44	B13080400827	Screw M4*8	2	99	B13080501627	Screw M5*16	3
45	35270422003002	USB Rubber Holder	1	100	35030423003000	Muffler Wind Scooper II	1
46	22030410900000	Ignition Switch(Black)	1	101	35070423003000	Muffler Wind Scooper Protector III	1
47	22020411200000	Ignition Switch	1	102	35080423003000	Muffler Wind Scooper Protector IV	1
48	3X210457501000	Gas Inlet Cap	1	103	B01310802066	Bolt M8*20	1
49	22080422003000	Choke Lever	1	104	38160410900000	Pilot Spanner	1
50	3X190457501000	Gas Inlet Connector	1	105	38150410900000	Screwdriver	1
51	3X200457501000	Nut G1/4	1	106	38060411500020	Bar, Plug Wrench	1
52	B07180006056	Lock Washer $\Phi 6$	1	107	20210042100001	T-type Plug Wire	1
53	B01310601628	Bolt M6*16	1	108	38120411501000	Funnel	1
54	32150422003800	Choke Lever Mounting Plate	1	109	24020457500000	Low Pressure Regulator	1
55	B28421080010	DC Protector 8A	1				