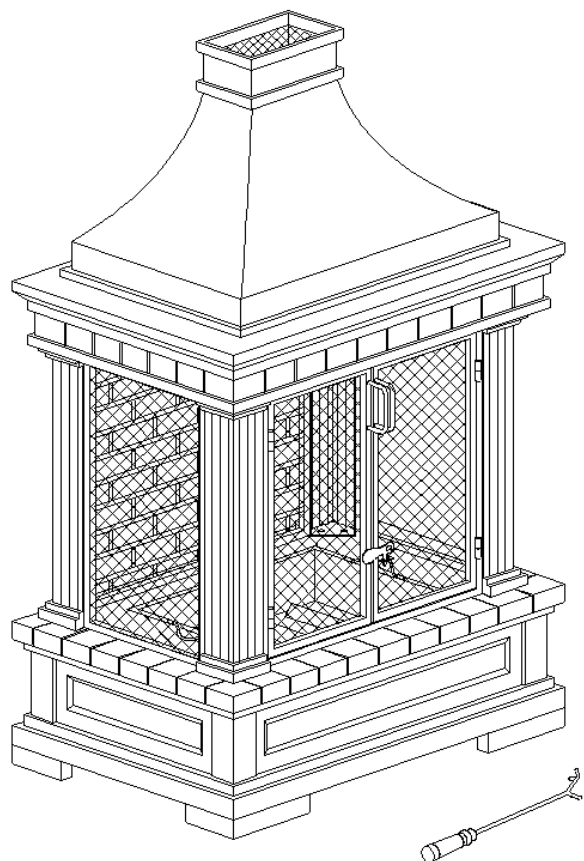


Assembly Instructions

Item: L-OF082PST-3



SAFETY INFORMATION:

Please read and understand this entire manual before attempting to assemble, operate or install the product.

WARNINGS:

FOR OUTDOOR USE ONLY! NEVER LEAVE FIRE UNATTENDED! Do not allow children or pets near the fireplace without supervision. **DO NOT USE THE FIREPLACE TO COOK FOOD!** The fireplace is not designed for cooking food.

CAUTIONS:

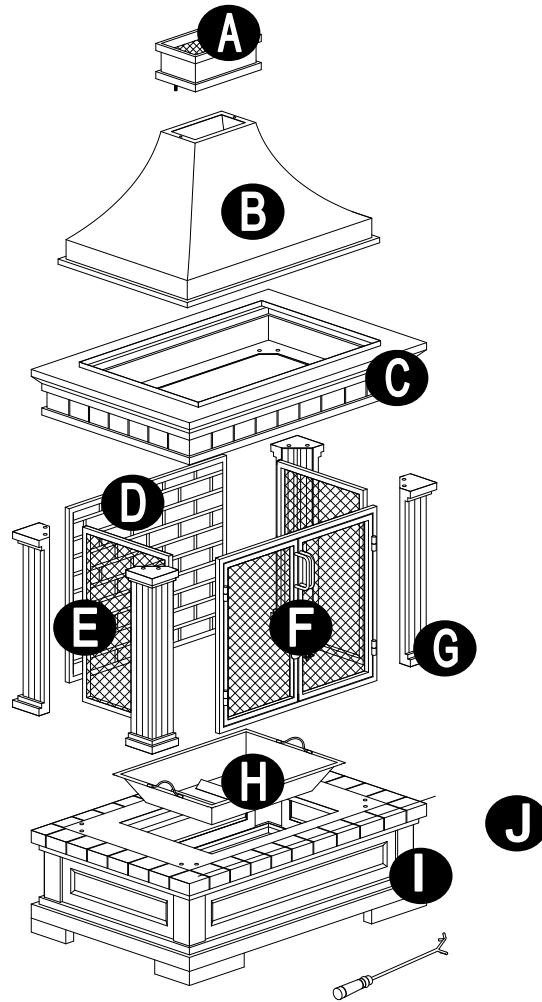
Burn only wood or charcoal in the fireplace. **DO NOT** use gasoline or kerosene to start the fire in your fireplace. Use only an acceptable method of lighting the fire, such as match and lighter. **DO NOT** use this unit on a wood deck or on combustible surfaces such as dry grass, leaves, mulch, etc. The fireplace should be placed no closer than 5 feet from walls during use. **DO NOT** attempt to move the fireplace while it is hot or in use.

PREPARATION:

Before beginning assembly of product, make sure all parts are present. Compare parts with package contents list and diagram above. If any part is missing or damaged, do not attempt to assemble the product. Contact customer service for replacement parts.

PACKAGE CONTENTS

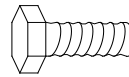
PART	DESCRIPTION	QUANTITY
A	Chimney Top	1
B	Chimney	1
C	Upper Base	1
D	Rear Board	1
E	Side Mesh	2
F	Door	1
G	Post	4
H	Fire Bowl	1
I	Base	1
J	Poker	1



Hardware List

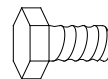
AA

M6 x 30 mm Bolt 8



BB

M6 x 12 mm Bolt 24



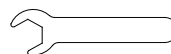
CC

M6 Nut 10



DD

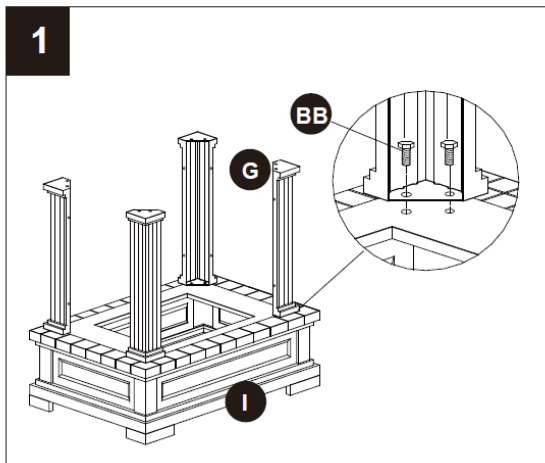
M6 Wrench 2



ASSEMBLY INSTRUCTIONS

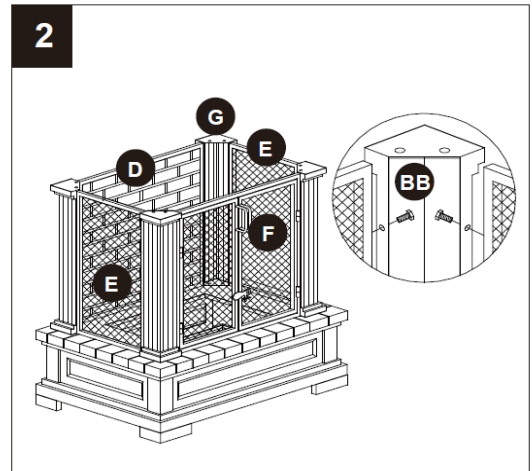
Step 1:

Attach Post (G) to Base (I) by using bolts (BB) as shown in Fig. 1. Do not fully tighten the connections in this step.



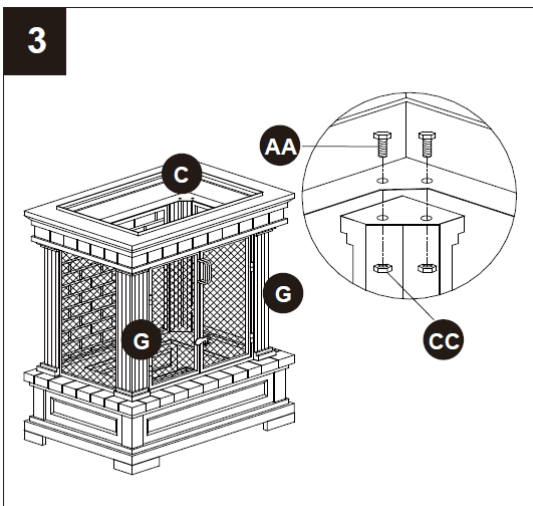
Step 2:

Attach Rear Board (D), Side Mesh (E) and Door (F) to Post (G) by using Bolt (BB) as shown in Fig. 2. Assemble Rear Board (D) to the labeled back side of Base (I). Do not fully tighten the connections in this step.



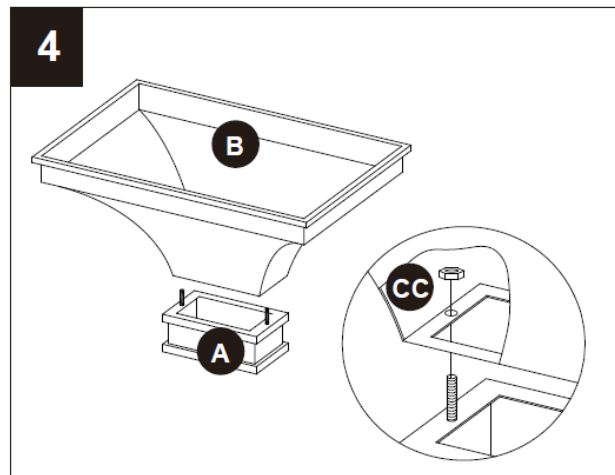
Step 3:

Place Upper Base (C) onto Post (G) and fix them by using bolts (AA) and Nuts (CC) as shown in Fig. 3. (Note- Front and back side of Part C is labeled). Fully tighten all connections.



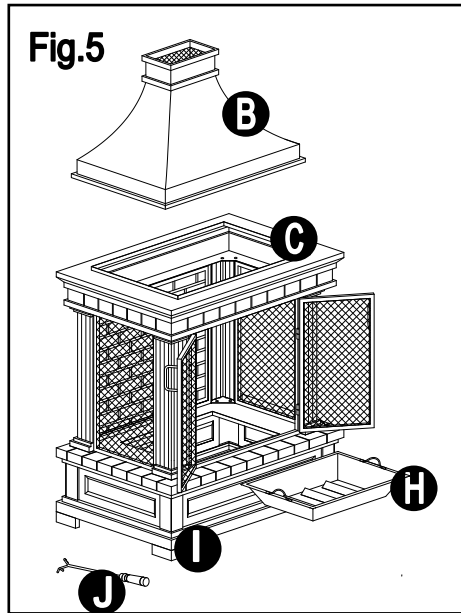
Step 4:

Connect Chimney Top (A) and Chimney (B) by using Nut (CC) as shown in Fig. 4.



Step 5:

Place Fire Bowl (H) into Base (I) and place Chimney (B) onto Upper Base (C) as shown in Fig. 5. Finally, keep the Poker (J) near your fire place for use.



CARE AND MAINTENANCE

To extend the life of your fireplace, clean it after each use.

SIX-MONTH LIMITED WARRANTY

This limited warranty is extended to the original purchaser and applies to defects in material and workmanship of your item provided the item is maintained with care and used only for personal, residential purposes.