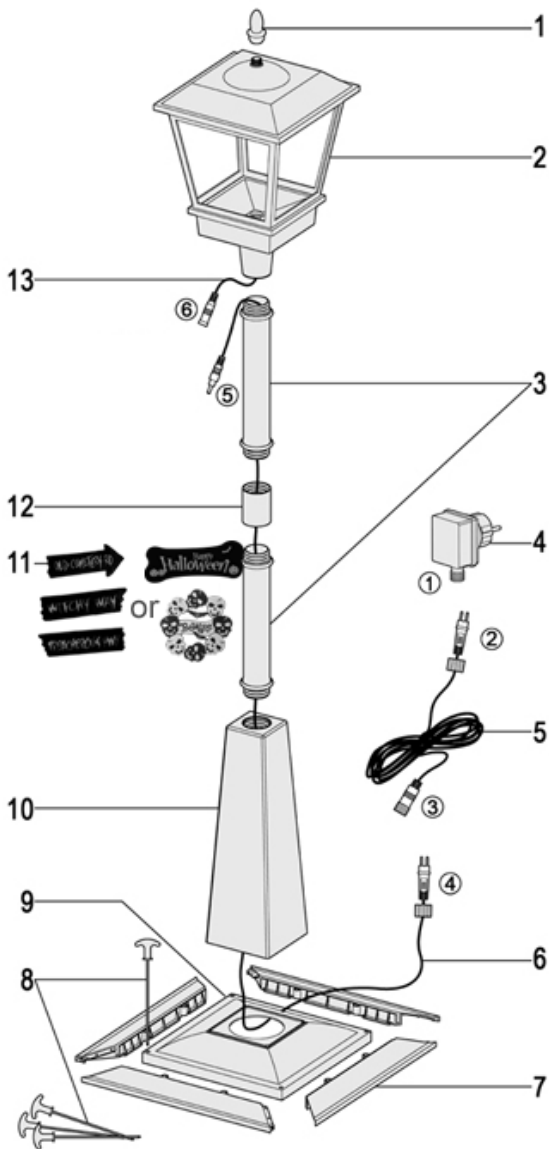


Caution

- This product (especially the lamp holder) is fragile and should be assembled with care.
- This product is waterproof; but it is necessary to keep the lamp in the vertical direction to ensure water drains correctly.
- Please follow the below steps and requirements specified in the instruction to ensure safety and reliability during the installation.

Schematic diagram



Component list

No.	Name	Number
1	Lamp top	1
2	Lamp holder	1
3	Lamp post (17in)	2
4	Adapter (12V AC 500mA)	1
5	Extended wire (137in)	1
6	Power wire (137in) (inside lamp post: 59, outside: 78in)	1
7	Base trim	1 set (4)
8	Ground nail	4
9	Lamp base	1
10	Square base	1
11	Plaque	1
12	Lamp post joint	1
13	Power wire of lamp holder	1
14	Screw	4+1

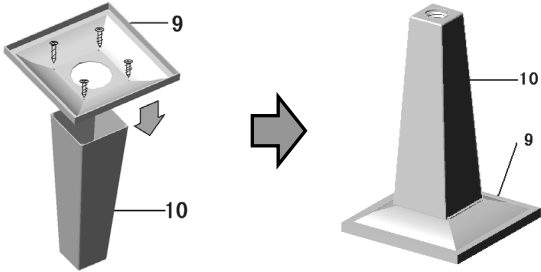
Note: 1,2,3,4,5,6 are all wire joints.

Assembly Instructions

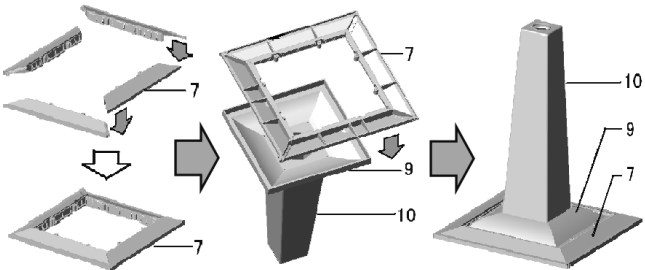
1) Install lamp base

Please assemble the product from the bottom to the up, following the main steps below:

A. Assemble lamp base (9) and square base (10) with 4 screws:



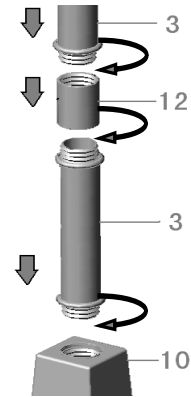
B. Assemble 4 pieces of additional base (7) into a whole, and then assemble the whole additional base (7) with the lamp base (9).



Note: The base trim (7) is especially designed to fasten the street lamp more securely. The base trim does not need to be installed if the following applies: street lamp is installed on a flat ground and there is no external force (such as high winds) to bring it down or if the street lamp is used outdoor and it can be fixed on the ground by fastening ground nails.

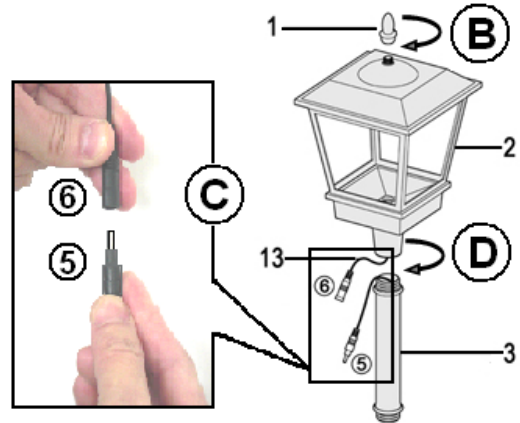
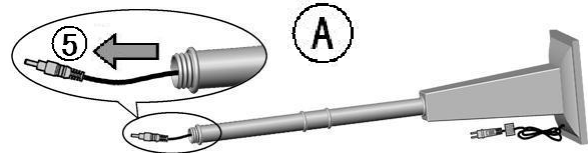
2) Install lamp post

Screw the 2 upper and lower posts (3), lamp post joints (12) and square lamp base (10) together according to the sequence shown in the figure below. **Note:** Every screw thread must be tightened; otherwise, the lamp posts may lean.



3) Install lamp holder

A. Thread the power wire (6) and its joint (5) through the lamp base and lamp post (the lamp base and lamp post can be laid down or put upside down for convenience. After drawing out the joint (5), place it correctly for later use);

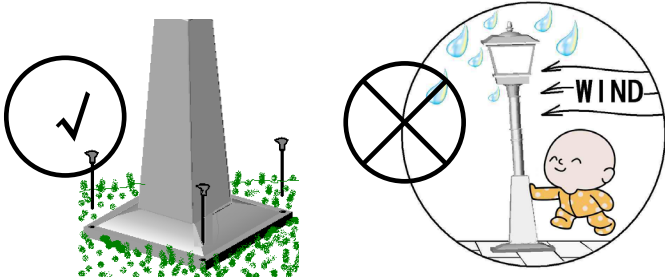


B. Take out the lamp holder (2) and put on the lamp top (1);
C. Draw out the joint (6) and the power line (13), connect the joints (5) and (6), put the combined joints and their wires into lamp post (3). **Note:** At this time, it will be better to ask another person to hold the lamp holder (2) for a more secure assembly.

D. Rotate the lamp holder (2) to fasten it on the lamp post (3). **Note:** The screw thread shall be tightened as far as possible. Meanwhile the direction of the lamp holder (2) shall be slightly adjusted to make it match the direction of the lamp bases (9) and (10).

4) Positioning, power-on, Rainproof and examination

A. Positioning: Carefully place the assembled street lamp in an upright position. **Note:** (1) If the street lamp is to be installed outdoor, please fix the lamp base with ground nails in case high wind blows it down; (2) The street lamp should be placed at a location without man-made interference to avoid damages. (3) If the street lamp is being installed indoor and near a man-made interference, please be sure to use additional base (7) to keep it secure.



B. Power on: Tightly connect the two joints (1) and (4) of the adaptor (4) and power wire (6). If the power wire isn't long enough, it is able to add the extended wire (5) between them, and then connect the adapter (4) with the main power source.

C. Rainproof: (1) The adapter itself is not waterproof, so make sure that the connection point between the adapter and the main power source is indoor or free of rainwater or snow in case of electric leakage or electric shock. (2) The lamp holder (2) shall be kept vertical to ensure water drains correctly (3) If the street lamp is used outside, all joints of (1) and (2), (3) and(4), (5) and (6) must be tightened in case of water and electric leakage.



D. Examination: When setting the switch on the bottom of the lamp holder (2) (see the figure below) to the left side, the lamp should be lit, snowflakes falling down and music splaying. If it fails to perform such functions, check if the joints 1, 2, 3, 4, 5 and 6 are connected well. You can also turn the switch to the right side to turn off the music.



5) Decorate and enjoy

As shown in the figure below, fix the plaque to the upper side of the lamp post to make the street lamp complete the look. If the street lamp is going to be installed outside, there is no need to install these decorations.

