

American Standard

# Installation Instructions

**PEKOE®**

**SINGLE CONTROL PULL-DOWN  
KITCHEN FAUCET**

**SINGLE CONTROL PULL-DOWN  
BAR FAUCET**

**4332.310**

**4332.310F15**

**4332.410**

**4332.410F15**

*Thank you for selecting American-Standard...the benchmark of fine quality for over 100 years.*

*To ensure that your installation proceeds smoothly—please read these instructions carefully before you begin.*



Certified to comply with ANSI A112.18.1M

M968517 REV.1.6 (7/15)

## Recommended Tools



Phillips Screwdriver



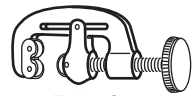
Channel Locks



Adjustable Wrench



Plumbers' Putty or Caulking

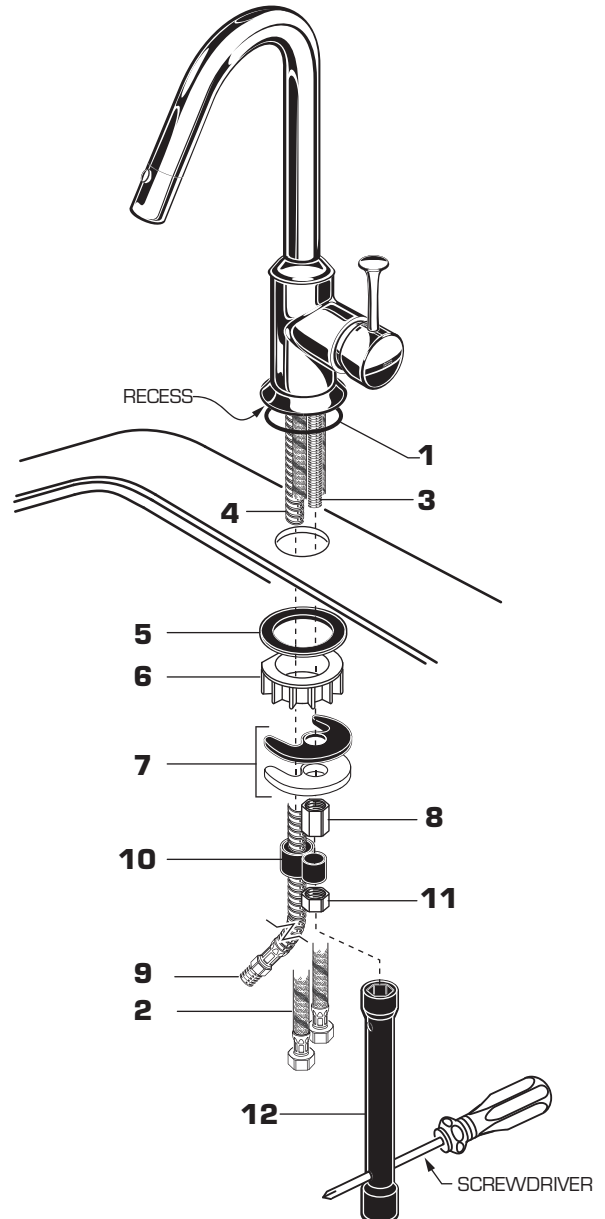


Tubing Cutter

## 1 INSTALL FITTING

**CAUTION** Turn off hot and cold water supplies before beginning.

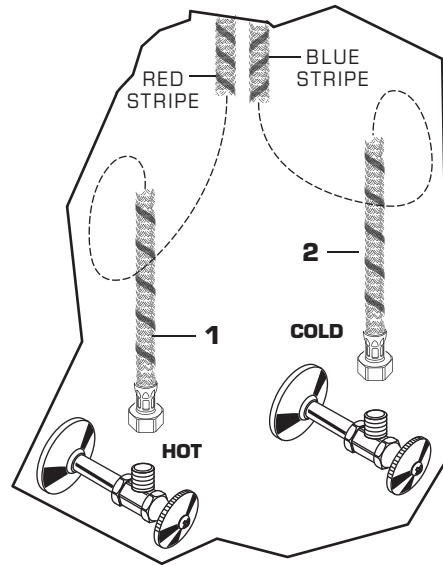
- Make certain the O-RING SEAL (1) is properly seated in recess of faucet body.
- Insert supply HOSES (2), SHANK (3) and SPRAY HOSE (4) through center hole of sink or mounting surface.
- Assemble RUBBER WASHER (5), PLASTIC WASHER (6), RUBBER & METAL "C" WASHERS (7) and long LOCKNUT (8) onto SHANK (3) from underside of sink. Hand tighten LOCKNUT (8) and check that faucet is centered.
- Tighten LOCKNUT (8) with WRENCH (12) supplied. Insert screwdriver into hole in WRENCH (12) and tighten.
- Feed HOSE END (9) through HOSE GUIDE (10). Slide other side of HOSE GUIDE (10) onto SHANK (3) and secure with LOCK NUT (11). Do not over tighten!



## 2

### MAKE WATER SUPPLY CONNECTIONS

- Turn off hot and cold water supplies before beginning.
- Connect FLEXIBLE SUPPLIES **(1, 2)** directly to wall supplies. Connection on fitting supplies are 3/8" compression. Connect left supply (Marked with a Red Stripe) to Hot and right supply (Marked with Blue Stripe) to Cold wall supply. Use adjustable wrench to tighten connections. Do not over tighten.
- Faucet supplies are 27-1/2" long from faucet base.
- **Note: If additional supply length is required, installer must purchase additional parts separately.**
- **Important: If SUPPLY HOSES (1, 2) are too long, loop as illustrated to avoid kinking.**



## 3

### CONNECT HOSE SPRAY and INSTALL WEIGHT

- Check that seal washers are installed in both ends of SPRAY HOSE ADAPTER **(1)**. Thread SPRAY HOSE ADAPTER **(1)** onto faucet SHANK **(2)**. Tighten with adjustable wrench. **Figure 1.**
- Thread HOSE END **(3)** into bottom of SPRAY HOSE ADAPTER **(1)**. Tighten with adjustable wrench. Make sure all connections are tight. **Figure 1.**
- Install RUBBER BUSHING **(4)** onto SPRAY HOSE **(5)**. Install WEIGHTS **(6)** onto HOSE **(5)** using two screws **(7)**. Locate WEIGHTS **(6)** 18" from underside of mounting surface on HOSE **(5)**. Tighten SCREWS **(7)** firmly. **Figure 2.**

Figure 1

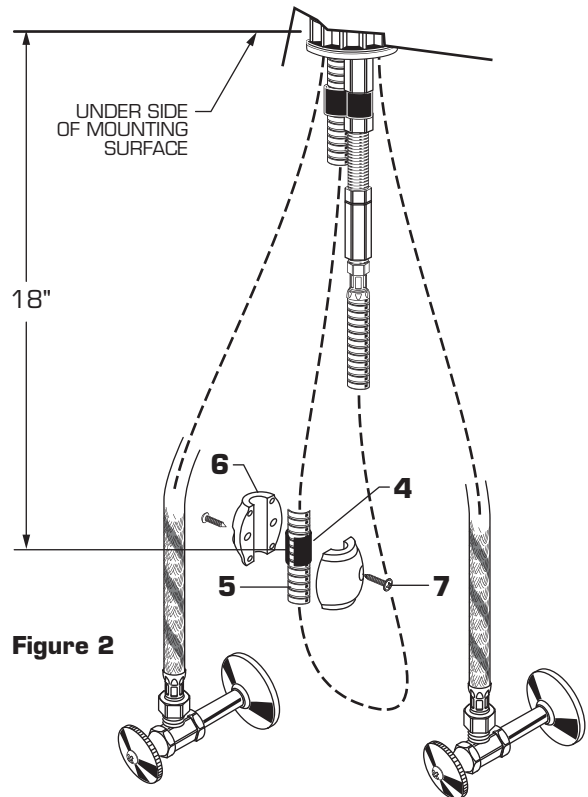
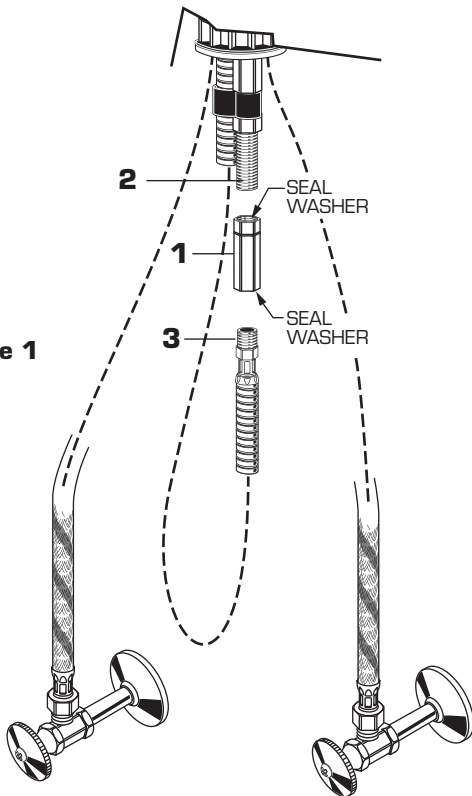
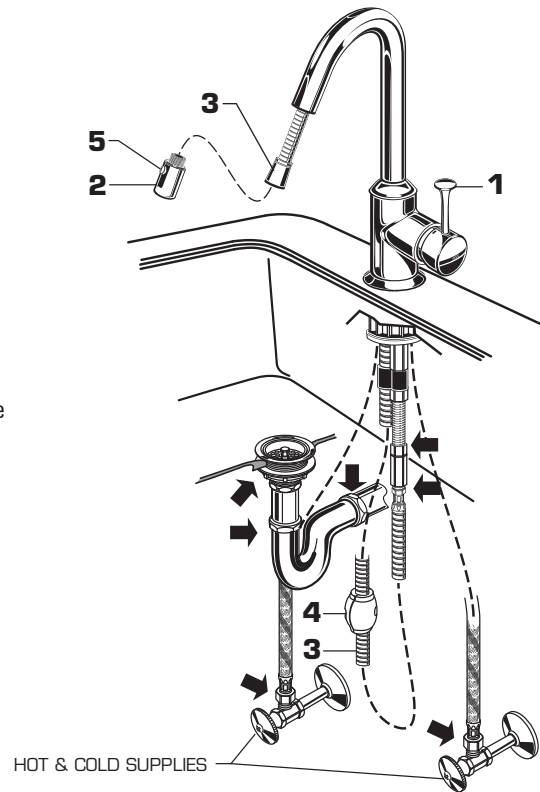


Figure 2

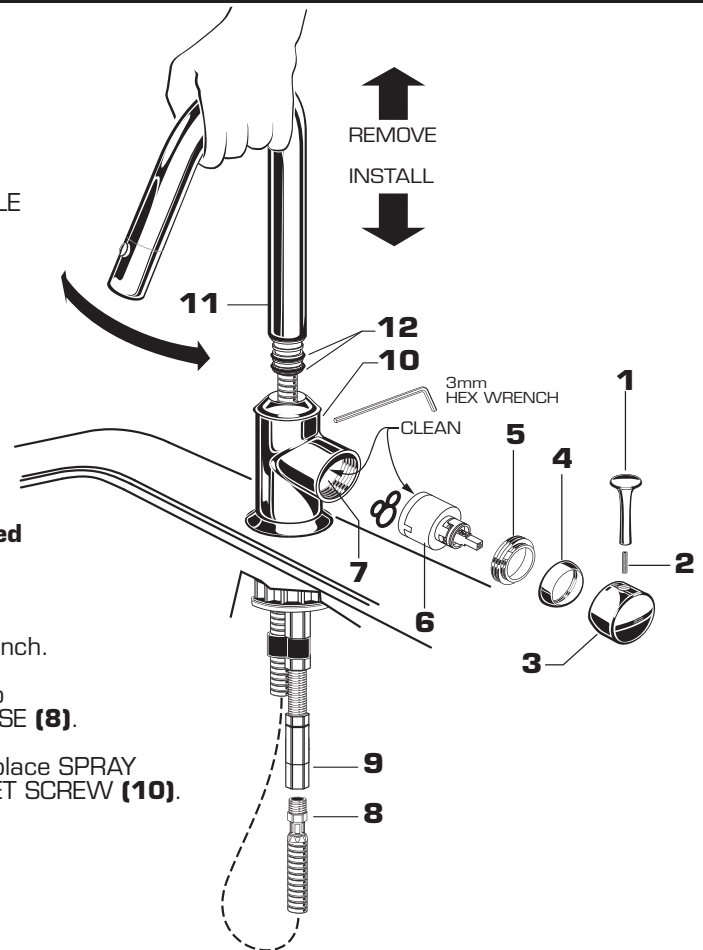
## 4 TEST INSTALLED FAUCET

- Move HANDLE (1) into "off" position.
- Unthread SPRAY HOSE (3) from SPRAY (2).
- Turn on water supplies and check connections for leaks. ➡
- Hold HOSE END (3) in sink and operate HANDLE (1) on and off, hot and cold to flush water lines thoroughly. Replace SPRAY (2).
- Pull SPRAY (2) out and check hose and supply connections for leaks. ➡ Check that SPRAY HOSE (3) and WEIGHT (4) slide up and down freely and do not interfere with supplies or waste outlet plumbing. With faucet on push BUTTON (5) to spray. Move HANDLE (1) to "off" position to return to aerator function.
- Check all drain connections for leaks. ➡
- Move HANDLE (1) to "off" position.



## 5 SERVICE

- **Clogged CARTRIDGE outlets or inlets may cause reduced flow.** To clean, first turn off water supply then:
  - Loosen and remove LEVER HANDLE (1). Loosen HANDLE SCREW (2) with 2.5mm Hex Wrench and then pull HANDLE BASE (3) off.
  - Unthread ESCUTCHEON CAP (4). Unthread the CARTRIDGE NUT (5).
  - Remove CARTRIDGE (6). Clean inlets of CARTRIDGE (6) and MANIFOLD (7).
  - Reassemble CARTRIDGE (6). Replace CARTRIDGE NUT (5), CAP (4) and HANDLE assembly, check flow.
- **If SPOUT (11) leaks at swivel point the O-RINGS (12) need to be replaced. To remove SPOUT (11):**
  - Disconnect SPRAY HOSE (8) from CONNECTING NUT (9).
  - Loosen the SPOUT SET SCREW (10) with a 3mm Hex wrench.
  - Rotate the SPOUT (11) side to side while pulling upward to remove SPOUT (11) from faucet body. Remove SPRAY HOSE (8).
  - Replace the defective parts and grease O-RINGS (12). Replace SPRAY HOSE (8). Push SPOUT (11) back into position. Tighten SET SCREW (10). Reconnect SPRAY HOSE (8) to CONNECTING NUT (9).
  - Check that SPOUT (11) rotates freely and does not leak at the swivel point.



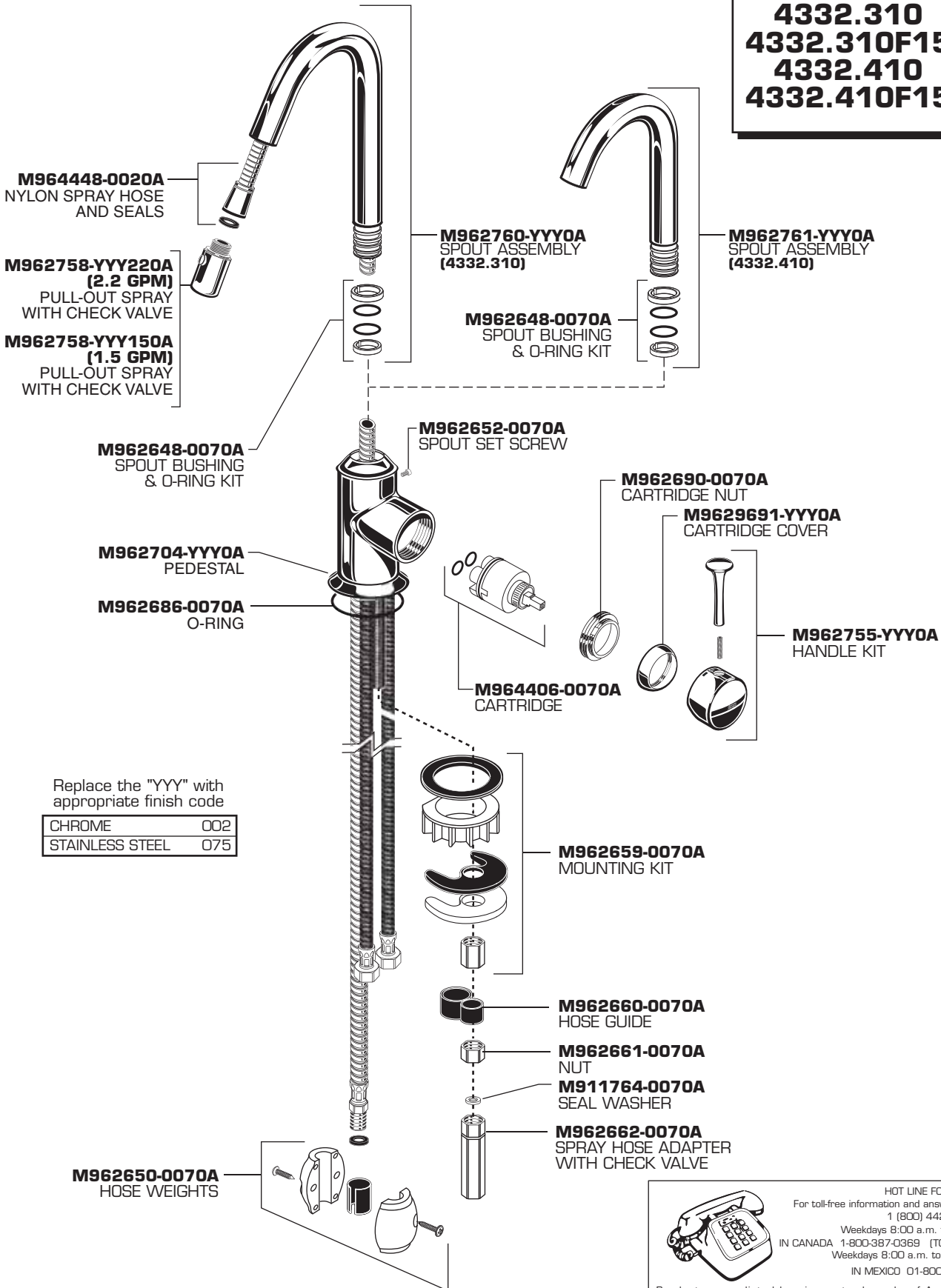
## 6 CARE INSTRUCTIONS:

- DO: SIMPLY RINSE THE PRODUCT CLEAN WITH CLEAR WATER. DRY WITH A SOFT COTTON FLANNEL CLOTH.**
- DO NOT: DO NOT CLEAN THE PRODUCT WITH SOAPS, ACID, POLISH, ABRASIVES, HARSH CLEANERS, OR A CLOTH WITH A COARSE SURFACE.**

**PEKOE®**  
**SINGLE CONTROL PULL-DOWN**  
**KITCHEN AND BAR FAUCETS**

MODEL NUMBER

**4332.310**  
**4332.310F15**  
**4332.410**  
**4332.410F15**



HOT LINE FOR HELP  
 For toll-free information and answers to your questions, call:  
 1 (800) 442-1902  
 Weekdays 8:00 a.m. to 6:00 p.m. EST  
 IN CANADA 1-800-387-0369 (TORONTO 1-905-306-1093)  
 Weekdays 8:00 a.m. to 7:00 p.m. EST  
 IN MEXICO 01-800-839-12-00



Product names listed herein are trademarks of American Standard Inc.  
 © AS America, Inc. 2008