



OPERATOR'S MANUAL

MODEL #100592
6250W DUAL FUEL GENERATOR

US Patent # D710,802



REGISTER YOUR PRODUCT ONLINE

at championpowerequipment.com



SAVE THESE INSTRUCTIONS. This manual contains important safety precautions which should be read and understood before operating the product. Failure to do so could result in serious injury. This manual should remain with the product.
Specifications, descriptions and illustrations in this manual are as accurate as known at the time of publication, but are subject to change without notice.
This product is rated in accordance with PGMA (Portable Generator Manufacturers' Association) standard ANSI/PGMA G300 (Safety and Performance of Portable Generators).

TABLE OF CONTENTS

| | | | |
|---|-----------|---|-----------|
| Introduction | 3 | Maintenance | 25 |
| Safety Definitions | 3 | Cleaning the Generator | 25 |
| Important Safety Instructions | 4 | Changing the Engine Oil | 26 |
| Fuel Safety | 6 | Cleaning and Adjusting the Spark Plug | 26 |
| Safety Labels | 7 | Cleaning the Air Filter | 26 |
| Safety Symbols | 8 | Cleaning the Spark Arrestor | 26 |
| Operation Symbols | 9 | Adjusting the Governor | 27 |
| Quickstart Label Symbols | 10 | Maintenance Schedule | 27 |
| Controls and Features | 11 | Storage | 27 |
| Generator | 11 | Short Term Storage (up to 30 days) | 27 |
| Control Panel | 12 | Mid Term Storage (up to 1 year) | 28 |
| Intelligauge | 13 | Long Term Storage (more than 1 year) | 28 |
| Tools Needed | 14 | Removing from Storage | 28 |
| Assembly | 15 | Specifications | 30 |
| Unpacking | 15 | Generator Specifications | 30 |
| Install the Wheel Kit | 15 | Engine Specifications | 30 |
| Add Engine Oil | 15 | Oil Specifications | 30 |
| Add Fuel: Gasoline | 16 | Fuel Specifications | 30 |
| Add Fuel: Propane (LPG) | 17 | Temperature Specifications | 30 |
| Grounding | 18 | Parts Diagram | 31 |
| Operation | 18 | Parts List | 32 |
| CO Shield™ - Carbon Monoxide (CO) Detection and Auto- shutoff System | 18 | Engine Parts Diagram | 34 |
| Generator Location | 19 | Engine Parts List | 35 |
| Surge Protection | 20 | Wiring Diagram | 37 |
| Fuel Selector | 20 | Troubleshooting | 38 |
| Starting the Engine: Gasoline | 20 | | |
| Starting the Engine: Propane (LPG) | 21 | | |
| Connecting Electrical Loads | 23 | | |
| Do Not Overload Generator | 23 | | |
| GFCI | 23 | | |
| Stopping the Engine | 24 | | |
| Moving the Generator | 24 | | |
| Operation at High Altitude | 25 | | |

INTRODUCTION

Congratulations on your purchase of a Champion Power Equipment (CPE) product. CPE designs, builds, and supports all of our products to strict specifications and guidelines. With proper product knowledge, safe use, and regular maintenance, this product should bring years of satisfying service.

Every effort has been made to ensure the accuracy and completeness of the information in this manual at the time of publication, and we reserve the right to change, alter and/or improve the product and this document at any time without prior notice.

CPE highly values how our products are designed, manufactured, operated, and serviced as well as providing safety to the operator and those around the generator. Therefore, it is **IMPORTANT** to review this product manual and other product materials thoroughly and be fully aware and knowledgeable of the assembly, operation, dangers and maintenance of the product before use. Fully familiarize yourself, and make sure others who plan on operating the product fully familiarize themselves too, with the proper safety and operation procedures before each use. Please always exercise common sense and always err on the side of caution when operating the product to ensure no accident, property damage, or injury occurs. We want you to continue to use and be satisfied with your CPE product for years to come.

When contacting CPE about parts and/or service, you will need to supply the complete model and serial numbers of your product. Transcribe the information found on your product's nameplate label to the table below

| |
|-----------------------------------|
| CPE TECHNICAL SUPPORT TEAM |
| 1-877-338-0999 |
| MODEL NUMBER |
| 100592 |
| SERIAL NUMBER |
| |
| DATE OF PURCHASE |
| |
| PURCHASE LOCATION |
| |

SAFETY DEFINITIONS

The purpose of safety symbols is to attract your attention to possible dangers. The safety symbols, and their explanations, deserve your careful attention and understanding. The safety warnings do not by themselves eliminate any danger. The instructions or warnings they give are not substitutes for proper accident prevention measures.

DANGER

DANGER indicates a hazardous situation which, if not avoided, will result in death or serious injury.

WARNING

WARNING indicates a hazardous situation which, if not avoided, could result in death or serious injury.

CAUTION

CAUTION indicates a hazardous situation which, if not avoided, could result in minor or moderate injury.

NOTICE

NOTICE indicates information considered important, but not hazard-related (e.g., messages relating to property damage).

IMPORTANT SAFETY INSTRUCTIONS

⚠ WARNING

Cancer and Reproductive Harm – www.P65Warnings.ca.gov

⚠ DANGER

Generator exhaust contains carbon monoxide, a colorless, odorless, poisonous gas. Breathing carbon monoxide will cause nausea, dizziness, fainting or death. If you start to feel dizzy or weak, get to fresh air immediately.

OPERATE GENERATOR OUTDOORS ONLY IN A WELL VENTILATED AREA AND POINT EXHAUST AWAY.

DO NOT operate the generator inside any building, including garages, basements, crawlspaces and sheds, enclosure or compartment, including the generator compartment of a recreational vehicle.

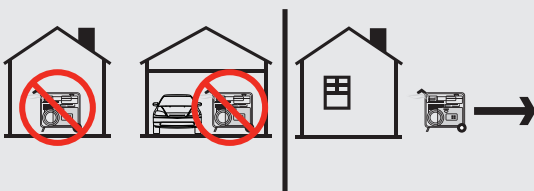
DO NOT allow exhaust fumes to enter a confined area through windows, doors, vents or other openings.

⚠ DANGER

Using a generator indoors **CAN KILL YOU IN MINUTES**. Generator exhaust contains carbon monoxide. This is a poison you cannot see or smell.

NEVER use inside a home or garage, **EVEN IF** doors and windows are open.

ONLY use **OUTSIDE** and far away from windows, doors, and vents.



Install battery-operated carbon monoxide alarms or plug-in carbon monoxide alarms with battery back-up according to the manufacturer's instructions.

⚠ WARNING

Although the generator contains a spark arrester, maintain a minimum distance of 5 ft. (1.5 m) from dry vegetation to prevent fires.

⚠ DANGER

Operate equipment with guards in place.

Rotating parts can entangle hands, feet, hair, clothing and/or accessories. Traumatic amputation or severe laceration can result.

Keep hands and feet away from rotating parts.

Tie up long hair and remove jewelry.

DO NOT wear loose-fitting clothing, dangling drawstrings or items that could become caught.

⚠ DANGER

Generator produces powerful voltage.

DO NOT touch bare wires or receptacles.

DO NOT use electrical cords that are worn, damaged or frayed. Use only Champion electrical cords for proper application.

DO NOT operate generator in wet weather.

DO NOT allow children or unqualified persons to operate or service the generator.

Use a ground fault circuit interrupter (GFCI) in damp areas and areas containing conductive material such as metal decking.

Connection to your home's electrical system requires a listed 30A transfer switch installed by a licensed electrician and approved by the local authority having jurisdiction. The connection must isolate the generator from the utility power and must comply with all applicable laws and electrical codes.

⚠ WARNING

Do not use generator for medical and life support uses.

In case of emergency, call 911 immediately.

NEVER use this product to power life support devices or life support appliances.

NEVER use this product to power medical devices or medical appliances.

Inform your electricity provider immediately if you or anyone in your household depends on electrical equipment to live.

Inform your electrical provider immediately if a loss of power would cause you or anyone in your household to experience a medical emergency.

⚠ WARNING

Spark from removed spark plug wire can result in fire or electrical shock.

When servicing the generator:

Disconnect the spark plug wire and place it where it cannot contact the plug or any other metal object.

DO NOT check for spark with the plug removed.

Use only approved spark plug testers.

⚠ WARNING

Running engines produce heat. Severe burns can occur on contact. Combustible material can catch fire on contact.

DO NOT touch hot surfaces.

Avoid contact with hot exhaust gases.

Allow equipment to cool before touching.

Maintain at least 3 ft. (91.4 cm) of clearance on all sides to ensure adequate cooling.

Maintain at least 5 ft. (1.5 m) of clearance from combustible materials.

⚠ WARNING

Rapid retraction of the starter cord will pull hand and arm towards the engine faster than you can let go. Unintentional startup can result in entanglement, traumatic amputation or laceration. Broken bones, fractures, bruises or sprains could result.

When starting engine, pull the starter cord slowly until resistance is felt and then pull rapidly to avoid kickback.

DO NOT start or stop the engine with electrical devices plugged in and turned on.

⚠ CAUTION

Exceeding the generator's running capacity can damage the generator and/or electrical devices connected to it.

DO NOT overload the generator.

DO NOT tamper with the governed speed.

DO NOT modify the generator in any way.

⚠ CAUTION

Start the generator and allow the engine to stabilize before connecting electrical loads.

Connect electrical equipment in the off position, and then turn them on for operation.

Turn electrical equipment off and disconnect before stopping the generator.

⚠ CAUTION

Improper treatment or use of the generator can damage it, shorten its life or void the warranty.

Use the generator only for intended uses.

Operate only on level surfaces.

DO NOT expose generator to excessive moisture, dust, or dirt.

DO NOT allow any material to block the cooling slots.

If connected devices overheat, turn them off and disconnect them from the generator.

DO NOT use the generator if:

- Electrical output is lost
- Equipment sparks, smokes or emits flames
- Equipment vibrates excessively

⚠ WARNING

Tampering with CO Shield™ could result in a hazardous condition.

Fuel Safety

⚠ DANGER

GASOLINE, GASOLINE VAPORS AND PROPANE (LPG) ARE HIGHLY FLAMMABLE AND EXPLOSIVE.

Fire or explosion can cause severe burns or death.

Gasoline and gasoline vapors:

- Gasoline is highly flammable and explosive.
- Gasoline can cause a fire or explosion if ignited.
- Gasoline is a liquid fuel but it's vapors can ignite.
- Gasoline is a skin irritant and needs to be cleaned up immediately if spilled on skin or clothes.
- Gasoline has a distinctive odor, this will help detect potential leaks quickly.
- In any petroleum gas fire, flames should not be extinguished unless by doing so the fuel supply valve can be turned OFF. This is because if a fire is extinguished and a supply of fuel is not turned OFF, then an explosion hazard could be created.
- Gasoline expands or contracts with ambient temperatures. Never fill the gasoline tank to full capacity, as gasoline needs room to expand if temperatures rise.

LPG:

- LPG is highly flammable and explosive.
- LPG is under pressure and can cause a fire or explosion if ignited.
- LPG is heavier than air and can settle in low places while dissipating.
- LPG has a distinctive odor added to help detect potential leaks quickly.
- In any petroleum gas fire, flames should not be extinguished unless the fuel supply valve is turned OFF. This is because if a fire is extinguished and a supply of fuel is not turned OFF, then an explosion hazard could be created.
- When exchanging LPG cylinders, be sure the cylinder valve is of the same type.
- Always keep the LPG cylinder in an upright position.
- LPG will burn skin if it comes in contact with it. Keep any and all LPG away from skin at all times.

When adding or removing gasoline:

DO NOT light or smoke cigarettes.

Turn the generator off and let it cool for at least two minutes before removing the gasoline cap. Loosen the cap slowly to relieve pressure in the tank.

Only fill or drain gasoline outdoors in a well-ventilated area.

DO NOT pump gasoline directly into the generator at the gas station. Use an approved container to transfer the fuel to the generator.

DO NOT overfill the gasoline tank.

Always keep gasoline away from sparks, open flames, pilot lights, heat and other sources of ignition.

When starting the generator:

DO NOT attempt to start a damaged generator.

Make certain that the gasoline cap, air filter, spark plug, fuel lines and exhaust system are properly in place.

Allow spilled gasoline to evaporate fully before attempting to start the engine.

Make certain that the generator is resting firmly on level ground.

When operating the generator:

DO NOT move or tip the generator during operation.

DO NOT tip the generator or allow fuel or oil to spill.

When transporting or servicing the generator:

Make certain that the fuel valve is in the OFF position and the gasoline tank is empty.

For LPG compatible models, be sure that the LPG cylinder is disconnected and stored securely away from the generator.

Disconnect the spark plug wire.

When storing the generator:

Store away from sparks, open flames, pilot lights, heat and other sources of ignition.

Do not store generator, gasoline or LPG cylinders near furnaces, water heaters, or any other appliances that produce heat or have automatic ignitions.

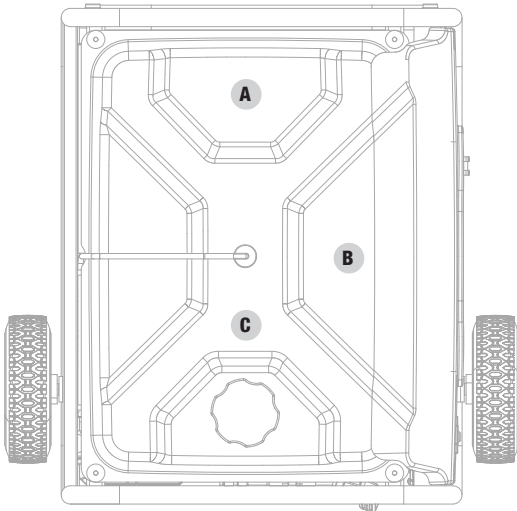
⚠ WARNING

Never use a gasoline container, gasoline tank, LPG connector hose, LPG cylinder or any other fuel item that is broken, cut, torn or damaged.

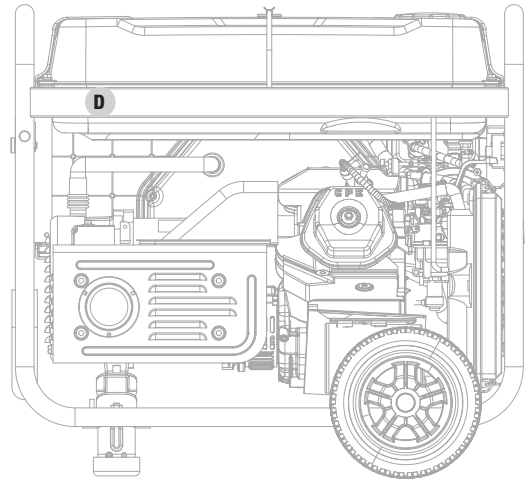
Safety Labels

These labels warn you of potential hazards that can cause serious injury. Read them carefully.

If a label comes off or becomes hard to read, contact Technical Support Team for possible replacement.



Top



Back

| | LABEL | DESCRIPTION |
|---|-------|--|
| A | | Safety Symbols/ CO Danger |
| B | | CO Shield™ Action – automatic shutoff *See CO Shield section |
| C | | Fuel |
| D | | Hot Surface |






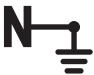


Safety Symbols








Some of the following symbols may be used on this product. Please study them and learn their meaning. Proper interpretation of these symbols will allow you to more safely operate the product.

| SYMBOL | MEANING |
|---|---|
|  | <p>Read Operator's Manual. To reduce the risk of injury, user must read and understand operator's manual before using this product.</p> |
|  | <p>Clearance. Keep all objects at least 5 feet from generator. Heat from the muffler and exhaust gas can ignite combustible objects.</p> |
|  | <p>Ground. Consult with local electrician to determine grounding requirements before operation.</p> |
|  | <p>Electric Shock. Failure to use in dry conditions and to observe safe practices can result in electric shock. Improper connections to a building can allow current to backfeed into utility lines, creating an electrocution hazard. A transfer switch must be used when connecting to a building.</p> |
|  | <p>Fire/Explosion. Fuel and its vapors are extremely flammable and explosive. Fire or explosion can cause severe burns or death. Keep generator at least 5 ft (1.5m) from all objects to prevent combustion.</p> |
|  | <p>Hot Surface. To reduce the risk of injury or damage, avoid contact with any hot surface.</p> |
|  | <p>Open Flame Alert. Fuel and its vapors are extremely flammable and explosive. Keep fuel away from smoking, open flames, sparks, pilot lights, heat, and other ignition sources.</p> |
|  | <p>Wet Conditions Alert. Do not expose to rain or use in damp locations.</p> |

Operation Symbols

Some of the following symbols may be used on this product. Please study them and learn their meaning. Proper interpretation of these symbols will allow you to more safely operate the product.

| SYMBOL | MEANING |
|---|---|
|  | ON |
|  | STOP or OFF |
|  | High CO Warning. Move generator to an open, outdoor area. Move to fresh air and get medical help if sick, dizzy or weak. |
|  | System Fault. Electrical issue, tampering, end of life. |
|  | Locking Receptacle |
|  | Neutral Bonded to Frame. Neutral circuit IS electrically connected to the frame/ground of the generator. |
|  | Choke |
|  | Run |

| SYMBOL | MEANING |
|---|--|
|  | Ground Terminal |
|  | Propane Valve ON/OFF |
|  | Fuel/Gasoline Valve ON/OFF |
|  | Propane Operation |
|  | Gasoline Operation |
|  | Propane Inlet |
|  | Propane Fuel Source. Turn off fuel source when generator is not in use. |

Quickstart Label Symbols

Some of the following symbols may be used on this product. Please study them and learn their meaning. Proper interpretation of these symbols will allow you to more safely operate the product.



Starting the Engine

⚠ DANGER

Move generator outside and far away from windows, doors and intake ventilation covers.

1. **Check oil level.**
Recommended oil is 10W-30.
2. **Add fuel.**
 - 2a. **If operating on gasoline, check gasoline level.**
When adding gasoline, use a minimum octane rating of 85 and an ethanol content of 10% or less by volume.
 - 2b. **If operating on propane, connect propane tank.**
Open valve on propane tank.
3. **Fuel Selector**
 - 3a. Slide Fuel Selector to the left for **gasoline** operation.
Then turn the fuel valve to the **"ON"** position.
 - 3b. Slide Fuel Selector to the right for **LPG** operation. Then turn the fuel valve to the **"ON"** position.
4. Press engine switch to the **"ON"** position.
5. Move choke lever to **"CHOKE"** position.
6. Pull the recoil starter.
7. Move the choke lever to **"RUN"** position.
8. Plug in desired device.

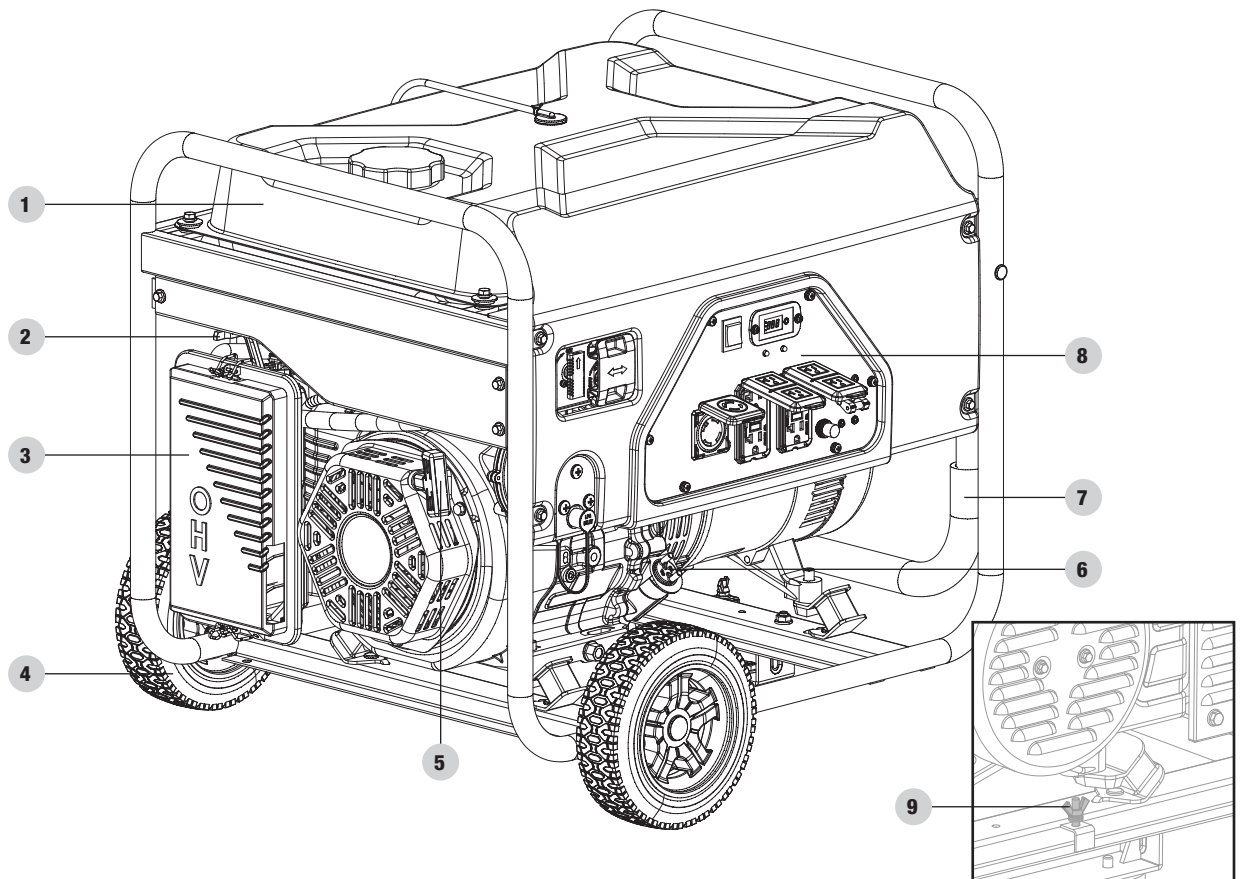
Stopping the Engine

1. Turn off and unplug all connected electrical loads.
2. **Fuel Valve**
 - 2a. If operating on **gasoline**, turn the fuel valve to the **"OFF"** position.
 - 2b. If operating on **LPG**, turn the fuel valve to the **"OFF"** position on the generator and on the tank.
3. Press the engine switch to the **"OFF"** position.

CONTROLS AND FEATURES

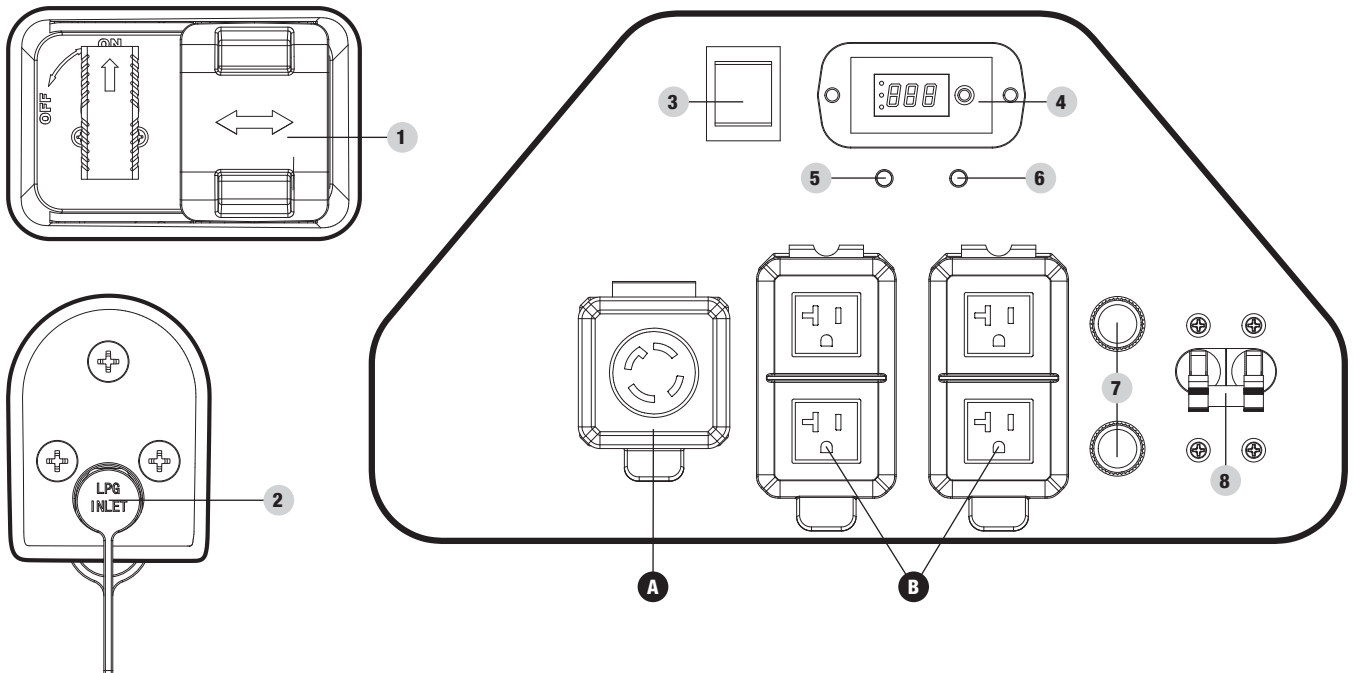
Read this operator's manual before operating your generator. Familiarize yourself with the location and function of the controls and features. Save this manual for future reference.

Generator



1. **Gasoline Tank** – 6 gal. (22.9 L)
2. **Choke** – Used to start the engine.
3. **Air Filter** – Protects the engine by filtering dust and debris from the intake air.
4. **Never Flat Wheels** – 8 in. (20.3 cm)
5. **Recoil Starter** – Used to manually start the engine.
6. **Oil Fill Cap/Dipstick** – Used to check and fill oil level.
7. **Folding Handle** – Used to move unit by lifting and rolling on wheels. Do not use to lift or carry the unit.
8. **Control Panel** – See “Control Panel” section.
9. **Ground Terminal** – Consult an electrician for local grounding regulations.

Control Panel





1. **Fuel Selector** – Used to select and turn on gasoline or propane (LPG) fuel source.
2. **LPG Inlet** – Used to connect LPG fuel source to generator.
3. **Engine Switch** – Used to put in START mode or STOP the generator. When operating by propane, this switch will NOT stop the engine.
4. **Intelligauge** – Three mode digital meter for displaying total run time, voltage and hertz.
5. **CO Shield red shutoff LED**
6. **CO Shield yellow service LED**

The CO Shield technology monitors for accumulation of poisonous carbon monoxide (CO) gas produced by engine exhaust when the generator is running. If CO Shield detects elevated levels of CO gas, it automatically shuts off the engine.

***See CO Shield section for more information*

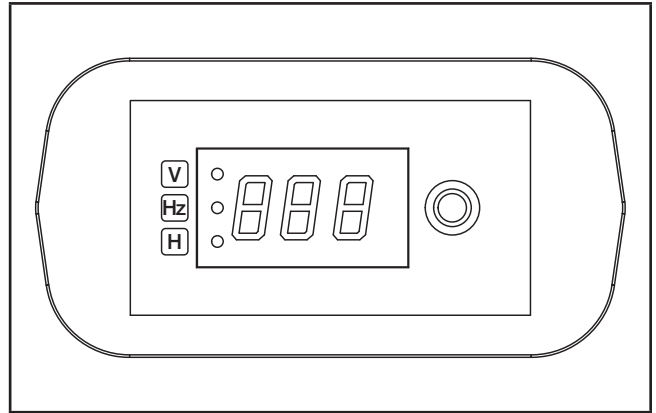
7. **Circuit Breakers (Push Reset)** – Protects the generator against electrical overloads.
8. **Circuit Breakers (Flip Reset)** – Protects the generator against electrical overloads.

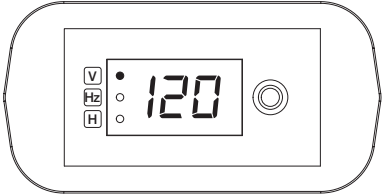
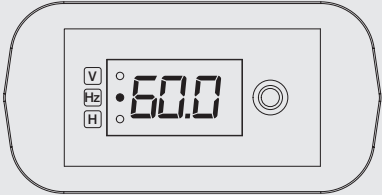
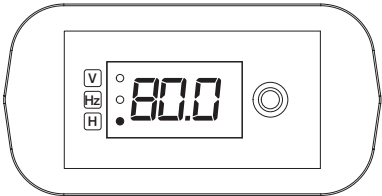
| RECEPTACLES | |
|-------------|--|
| A |  <p>120/240V AC, 30A Locking (NEMA L14-30R) May be used to supply electrical power for operation of 120/240 Volt AC, 30 Amp, single phase, 60 Hz electrical loads.</p> |
| B |  <p>(4x) 120V AC, 20A GFCI (NEMA 5-20R) May be used to supply electrical power for operation of 120 Volt AC, 20 Amp, single phase, 60 Hz electrical loads.</p> |

Intelligauge

Three mode digital meter for displaying voltage, hertz, and total run time.

Push SELECT button on right side of gauge to display different modes.



| MODE | DESCRIPTION | |
|-------------------|--|--|
| Voltage (V) | Output voltage of the generator. | |
| | Example: 120 volts |  |
| Frequency (Hz) | Output frequency in hertz. | |
| | Example: 60.0 hertz |  |
| Total Run Time(H) | Total run time of the generator since first operation. | |
| | Example: 80 hours |  |

Parts Included

Accessories

- Oil Funnel 1
- 3.3 ft. (1 m) LPG Hose with Regulator 1

Assembly Parts

Wheels

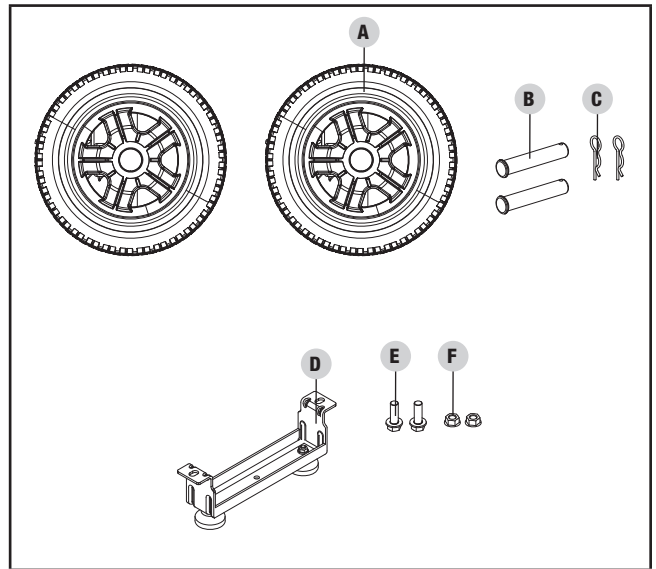
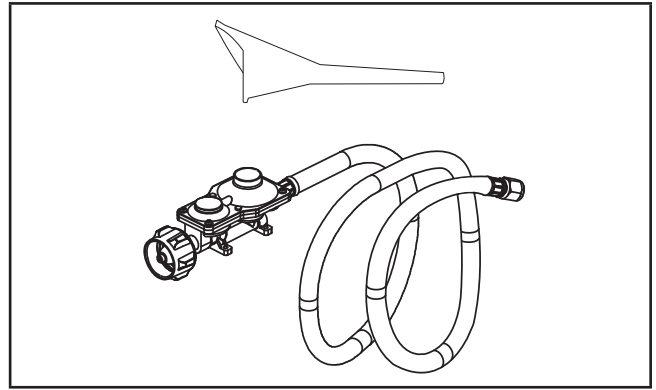
- 8 in. (20.3 cm) Never Flat Wheel (A) 2
- Roll Pin (B) 2
- Large R-clip (C) 2

Engine Vibration Mounts

- Support Leg with Vibration Mounts (D) 1
- Flange Bolt (M8×16) (E) 2
- Flange Lock Nut (M8) (F) 2

Tools Needed

- Pliers
- Metric wrench or socket set



ASSEMBLY

Your generator requires some assembly. This unit ships from our factory without oil. It must be properly serviced with fuel and oil before operation.

If you have any questions regarding the assembly of your generator, call our Technical Support Team at 1-877-338-0999. Please have your serial number and model number available.

Unpacking

1. Set the shipping carton on a solid, flat surface.
2. Remove everything from the carton except the generator.
3. Carefully cut each corner of the box from top to bottom. Fold each side flat on the ground to provide a surface area to work with the generator.

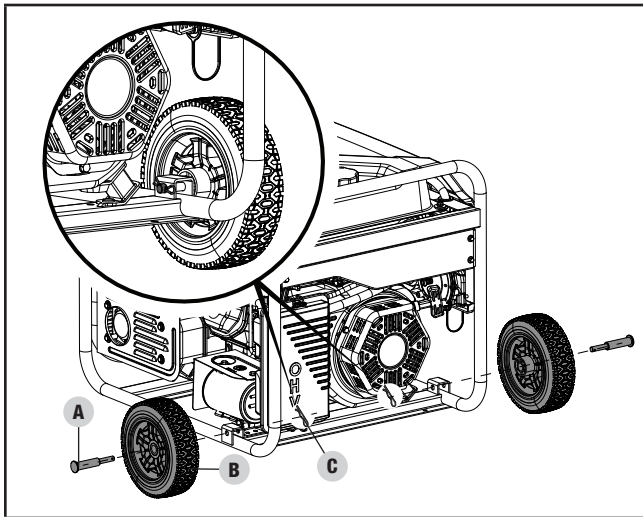
Install the Wheel Kit

⚠ CAUTION

The wheel kit is not intended for over-the-road use.

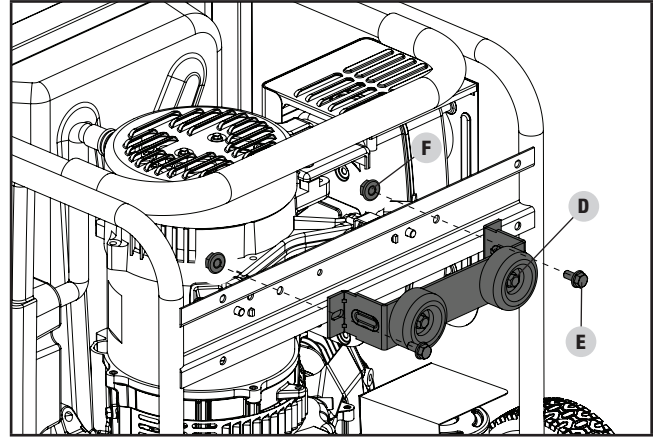
Install the Wheels

1. Slide the roll pin (A) through the wheel (B) from the outside.
2. Slide the roll pin through the mount point on the frame.
3. Secure with the R-clip (C).
4. Repeat to attach the second wheel.



Install the Support Leg

1. Attach the support leg (D) to the generator frame with flange bolts (E) and flange lock nuts (F).
2. Slowly tip the generator back down so that it rests on the wheels and support leg.



Add Engine Oil

⚠ CAUTION

DO NOT attempt to crank or start the engine before it has been properly filled with the recommended type and amount of oil. Damage to the generator as a result of failing to follow these instructions will void your warranty.

🗨 NOTICE

The generator rotor has a sealed, pre-lubricated ball bearing that requires no additional lubrication for the life of the bearing.

🗨 NOTICE

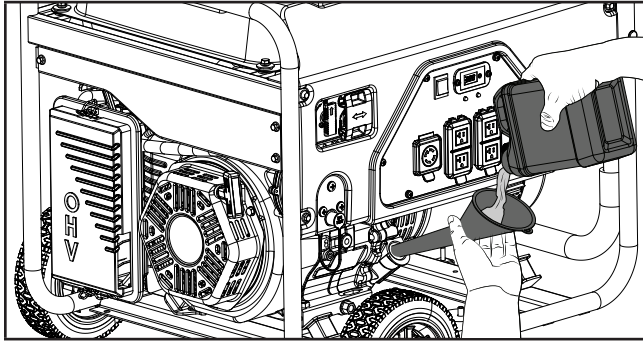
The recommended oil type for typical use is **10W-30 automotive oil**.

If running generator in extreme temperatures, refer to the following chart for recommended oil type.

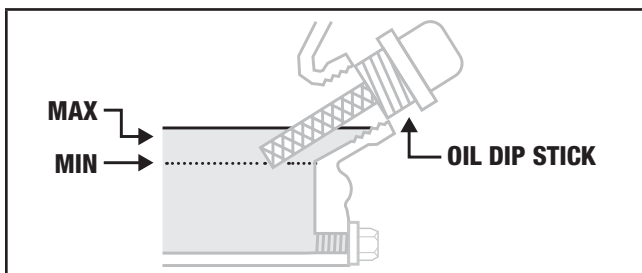
| Recommended Oil Type | | | | | | | | |
|----------------------|---------------------|-------|------|--------|--------|------|------|------|
| | | | | 10W-30 | | | | |
| | 5W-30 | | | | 10W-40 | | | |
| | 5W-30 Synthetic | | | | | | | |
| °F | -20 | 0 | 20 | 40 | 60 | 80 | 100 | 120 |
| °C | -28.9 | -17.8 | -6.7 | 4.4 | 15.6 | 26.7 | 37.8 | 48.9 |
| | Ambient temperature | | | | | | | |

1. Place the generator on a flat, level surface.
2. Remove oil fill cap/dipstick to add oil.

- Using a funnel, add up to 37.2 fl. oz. (1.2 qt.) of oil (not included) and replace oil fill cap/dipstick. **DO NOT OVERFILL.**



- Check engine oil level at every use and add as needed.



NOTICE

Once oil has been added, a visual check should show oil about 1-2 threads from running out of the fill hole.

When using the dipstick to check oil level, **DO NOT** screw in the dipstick while checking.

NOTICE

Check oil level often during the break-in period. Refer to the [Maintenance](#) section for recommended service intervals.

CAUTION

This engine is equipped with a low oil shut-off and will stop when the oil level in the crankcase falls below the threshold level.

NOTICE

The first 5 hours of run time are the break-in period for the unit. During the break in period stay at or below 50% of the running watt rating and vary the load occasionally to allow stator windings to heat and cool. Adjusting the load will also cause engine speed to vary slightly and help seat piston rings. After the 5 hour break-in period, change the oil.

NOTICE

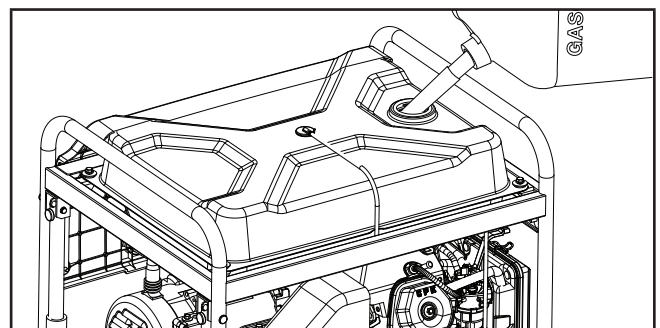
Synthetic oil may be used after the 5 hour initial break-in period. Using synthetic oil does not increase the recommended oil change interval. Full synthetic 5W-30 oil will aid in starting in cold ambient < 41° F (5° C) temperatures.

Add Fuel: Gasoline

Use clean, fresh, regular unleaded gasoline with a minimum octane rating of 85 and an ethanol content of 10% or less by volume. **E10 E15 E85**

DO NOT mix oil with gasoline.

- Remove the gasoline cap.
- Slowly add gasoline to the tank. Tank is full when gasoline reaches red circle on screen. **DO NOT OVERFILL.** Gasoline can expand after filling. A minimum of ¼ in. (6.4 mm) of space left in the tank is required for gasoline expansion, although more than ¼ in. (6.4 mm) is recommended. Gasoline can be forced out of the tank as a result of expansion if overfilled, and can affect the stable running condition of the generator.



- Screw on the gasoline cap and wipe away any spilled fuel.

CAUTION

Use unleaded gasoline with a minimum octane rating of 85 and an ethanol content of 10% or less by volume.

DO NOT light cigarettes or smoke when filling the tank.

DO NOT mix oil and gasoline.

DO NOT overfill the tank. Fill tank to approximately ¼ in. (6.4 mm) below the top of the tank to allow for gasoline expansion.

DO NOT pump gasoline directly into the generator at the pump. Use an approved container to transfer the gasoline to the generator.

DO NOT fill tank indoors.

DO NOT fill tank when the engine is running or hot.

⚠ WARNING

Pouring gasoline too fast through the fuel screen may result in gasoline splashing over the generator and operator while filling.

🗨 NOTICE

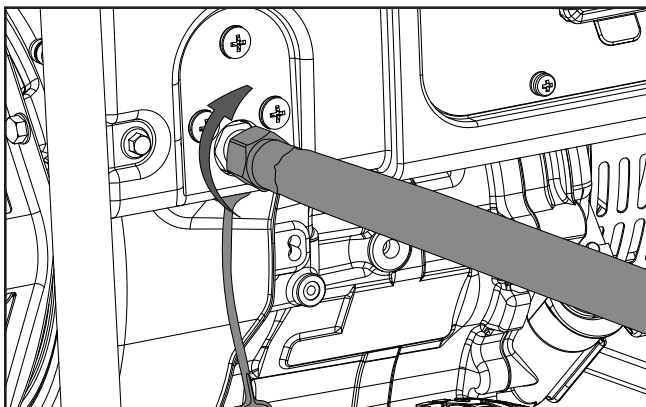
The generator engine works well with 10% or less ethanol blend gasoline. When using ethanol-gasoline blends there are some issues worth noting:

- Ethanol-gasoline blends can absorb more water than gasoline alone.
- These blends can eventually separate, leaving water or a watery goo in the tank, fuel valve and carburetor. The compromised gasoline can be drawn into the carburetor and cause damage to the engine and/or potential hazards.
- If a fuel stabilizer is used, confirm that it is formulated to work with ethanol-gasoline blends.
- Any damages or hazards caused by using improper gasoline, improperly stored gasoline, and/or improperly formulated stabilizers, are not covered by manufacturer's warranty.

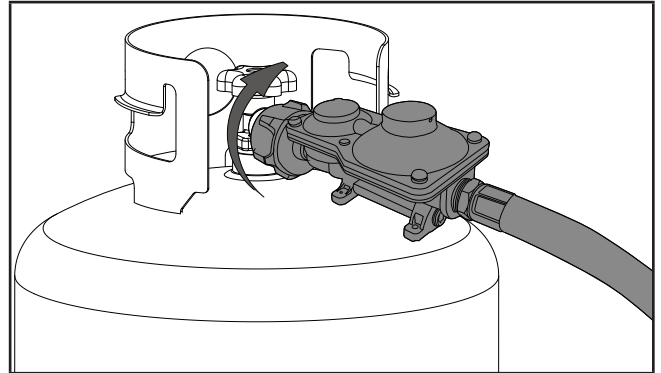
It is advisable to always shut off the gasoline supply and run the engine to starvation after each use. See Storage instructions for extended non-use.

Add Fuel: Propane (LPG)**Connecting an LPG cylinder**

1. Make sure the LPG valve on the generator is in the "OFF" position.
2. Attach the LPG hose (included) to the LPG inlet on the generator and tighten with a 19 mm or adjustable wrench to torque specified on hose label.
Important: DO NOT use thread seal tape or any other type of sealant to seal LPG hose connection.



3. Remove the safety plug or cap from the cylinder valve.
4. Attach the other end of the hose to the LPG connector on the cylinder and hand tighten.



5. Check all connections for leaks by wetting the fittings with a solution of soap and water. Bubbles which appear or bubbles which grow indicate that a leak exists. If a leak exists at a fitting then turn off the valve on the cylinder and tighten the fitting. Turn the valve back on and recheck the fitting with the soap and water solution. If the leak continues or if the leak is not at a fitting then do not use the generator and contact customer service.

🗨 NOTICE

- The LPG hose included with this unit connects to 20, 30, and 40 pound LPG cylinders.
- Verify the requalification date on the cylinder has not expired.
- All new cylinders must be purged of air and moisture prior to filling. Used cylinders that have not been plugged or kept closed must also be purged.
- The purging process should be done by an LPG supplier (cylinders from an exchange supplier should have been purged and filled properly already).
- Always position the cylinder so the connection between the cylinder valve and generator inlet won't cause sharp bends or kinks in the LPG hose.

⚠ CAUTION

Do not allow children to tamper or play with the LPG cylinder or hose connections.

⚠ CAUTION

Use approved LPG cylinders equipped with an OPD (overfilling prevention device) valve. Always keep the cylinder in a vertical position with the valve on top and installed at ground level on a flat surface. Cylinders must not be installed near any heat source and should not be exposed to sun, rain, and dust. When transporting and storing, turn off the cylinder valve and generator LPG valve, and disconnect the cylinder. Plug the outlet, usually by a plastic protective cap, if one is available. Keep cylinders away from heat and ventilated when in a vehicle.

⚠ WARNING

If there is a strong smell of LPG: Close valve on the cylinder. Check all connections for leaks by wetting the fittings with a solution of soap and water. Bubbles which appear or bubbles which grow indicate that a leak exists. Do not smoke or light a cigarette, or check for leaks using a match, open flame source or lighter. Contact a qualified technician to inspect and repair an LPG system if a leak is found, before using the generator.

Grounding

Your generator must be properly connected to an appropriate ground to help prevent electric shock.

⚠ WARNING

Failure to properly ground the generator can result in electric shock.

A ground terminal connected to the frame of the generator has been provided (see [Controls and Features](#) for terminal location). For remote grounding, connect a length of heavy gauge (12 AWG minimum) copper wire between the generator ground terminal and a copper rod driven into the ground. We strongly recommend that you consult with a qualified electrician to ensure compliance with local electrical codes.

Neutral Floating*

- Neutral circuit **IS NOT** electrically connected to the frame/ground of the generator.
- The generator (stator winding) is isolated from the frame and from the AC receptacle ground pin.
- Electrical devices that require a grounded receptacle pin connection will not function if the receptacle ground pin is not functional.

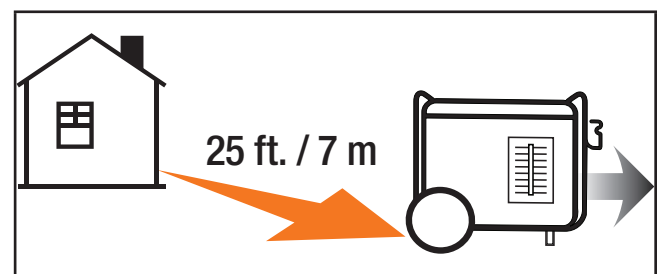
Neutral Bonded to Frame*

- Neutral circuit **IS** electrically connected to the frame/ground of the generator.
- The generator system ground connects lower frame cross-member below the alternator. The system ground is connected to the AC neutral wire.

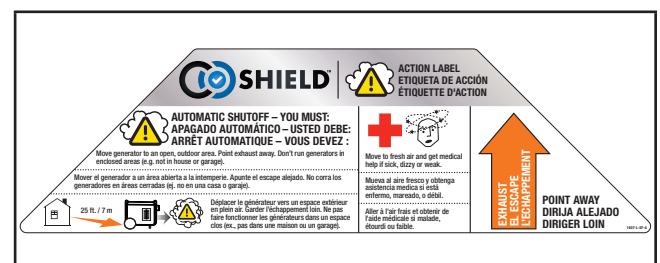
*See your Specifications section for specified type of grounding.

OPERATION**CO Shield™ - Carbon Monoxide (CO) Detection and Auto-shutoff System**

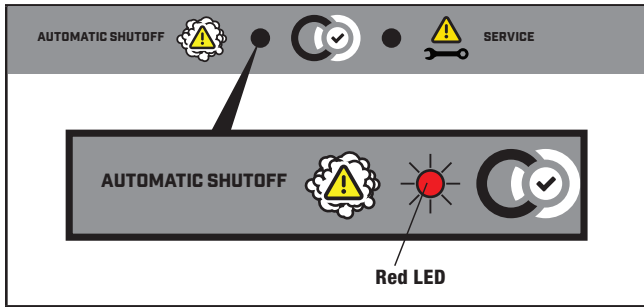
The CO Shield™ technology monitors the accumulation of poisonous CO gas produced by engine exhaust when the generator is running. If CO Shield detects elevated levels of CO gas, it automatically shuts off the engine. Generators are intended to be used outdoors, far away from occupied buildings and exhaust pointed away from people and buildings.



If misused and operated in a location that results in the accumulation of CO inside an enclosed or partially enclosed space, for example a house, garage or a garage with the door partially open, CO Shield will automatically shut off the generator and then illuminate a red LED. Read the action label for what steps to take. **CO Shield is not a substitute for an indoor carbon monoxide alarm.**

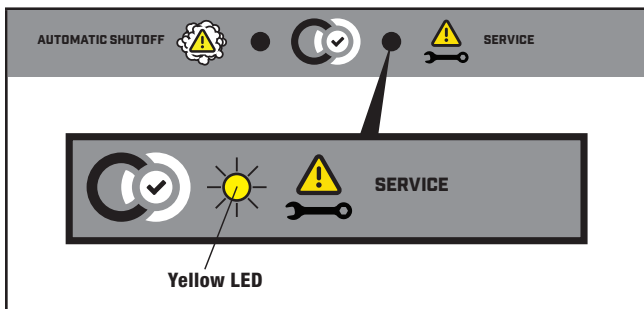


When you approach the generator to investigate a shut off, a blinking **red** LED light in the CO Shield area provides notification that the generator shut off due to an accumulating CO hazard. The red LED light will blink for at least five (5) minutes after a shutoff event.



Move the generator to an open, outdoor area and point the exhaust away from people and buildings. Once relocated to a safe area, the generator can be restarted, and the proper electrical connections made. The red and yellow LED will blink eight (8) times simultaneously for all generator starts. Introduce fresh air and ventilate the location where the generator shut off.

If CO Shield system experiences a fault and no longer provides protection, the generator is shutoff automatically and the **yellow** LED light will blink for at least five (5) minutes to notify you of the fault.



Call our Technical Support Team at 1-877-338-0999 for repair. The generator can be restarted, but will continue to shutoff.

CO Shield will detect the accumulation of carbon monoxide from other fuel burning sources such as engine powered tools, or propane heaters used in the area of operation. If another generator is used and the exhaust is pointed at a CO Shield equipped generator, the CO Shield may initiate a shutoff due to rising carbon monoxide levels. This is not a fault. Hazardous carbon monoxide has been detected. You must take action to move and direct the equipment to better dissipate carbon monoxide far away from people or buildings.

⚠ WARNING

Tampering with CO Shield™ could result in a hazardous condition.

Generator Location

NEVER operate the generator inside any building, including garages, basements, crawlspaces and sheds, enclosure or compartment, including the generator compartment of a recreational vehicle. Please consult your local authority. In some areas, generators must be registered with the local utility. Generators used at construction sites may be subject to additional rules and regulations. Generators should be on a flat, level surface at all times. (Even while not in operation) Generators must have at least 5 ft. (1.5 m) of clearance from all combustible material. In addition to clearance from all combustible material, generators must also have at least 3 ft. (91.4 cm) of clearance on all sides to allow for adequate cooling, maintenance and servicing. Generators should never be started or operated in the back of a SUV, camper, trailer, in the bed of a truck (regular, flat or otherwise), under staircases/stairwells, next to walls or buildings, or in any other location that will not allow for adequate cooling of the generator and/or the muffler. DO NOT contain generators during operation. Allow generators to properly cool before transport or storage.

Place the generator in a well-ventilated area. DO NOT place the generator near vents or intakes where exhaust fumes could be drawn into occupied or confined spaces. Carefully consider wind and air currents when positioning generator.

Failure to follow proper safety precautions may void manufacturer's warranty.

⚠ WARNING

Do not operate or store the generator in rain, snow, or wet weather.

Using a generator or electrical appliance in wet conditions, such as rain or snow, or near a pool or sprinkler system, or when your hands are wet, could result in electrocution.

⚠ WARNING

During operation the muffler and exhaust fumes will become hot. If adequate cooling and breathing space are not supplied, or if the generator is blocked or enclosed, temperatures can become extremely heated and may lead to fire.

Surge Protection

Electronic devices, including computers and many programmable appliances use components that are designed to operate within a narrow voltage range and may be affected by momentary voltage fluctuations. While there is no way to prevent voltage fluctuations, you can take steps to protect sensitive electronic equipment.

- Install UL1449, CSA-listed, plug-in surge suppressors on the outlets feeding your sensitive equipment. Surge suppressors come in single- or multi-outlet styles. They're designed to protect against virtually all short-duration voltage fluctuations.

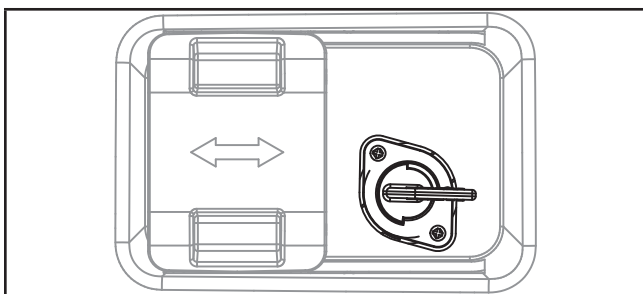
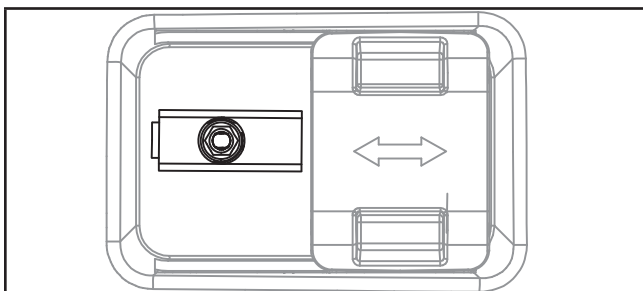
Fuel Selector

The fuel selector on the front panel of the generator is designed specifically to choose between the fuel source desired, Gasoline or Propane (LPG).

To select a fuel source simply slide the selector to either the right or left, and this will uncover the fuel valve of the fuel selected.

For PROPANE, move selector to the right.

For GASOLINE, move selector to the left.



Once a fuel source has been selected, the user must turn the fuel valve to the vertical position to open the fuel valve.

To turn a fuel valve to the "OFF" position the valve must be in the horizontal position.

NOTICE

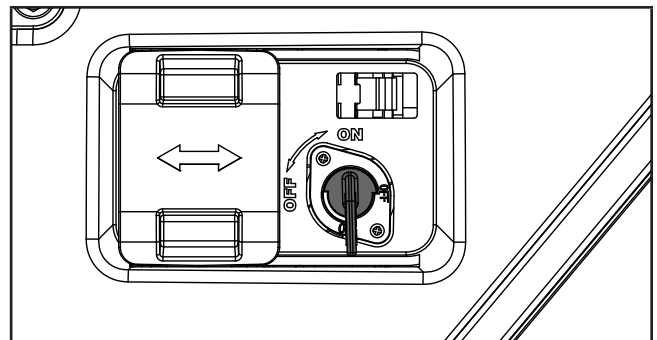
The fuel selector is specifically designed not to slide to either side while a specific fuel has been selected and the fuel valve is in the "ON" position. Only when the fuel valves are in the "OFF" position can the cover slide side to side.

NOTICE

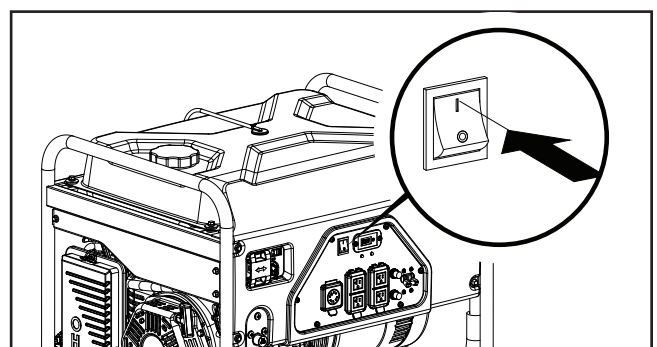
The fuel selector is locked into place once a "click" sound is made. Only then can a fuel valve be turned to the vertical position.

Starting the Engine: Gasoline

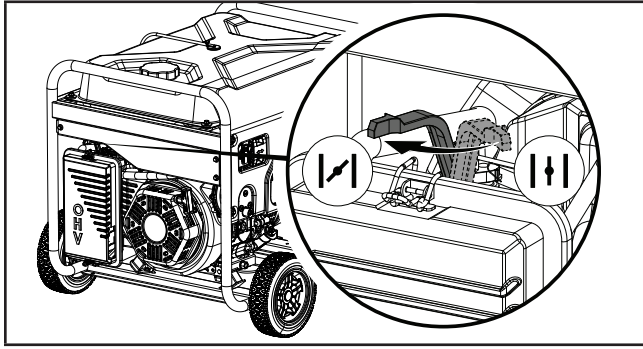
1. Make certain the generator is on a flat, level surface.
2. Disconnect all connected electrical loads from the generator. Never start or stop the generator with electrical devices plugged in or turned on.
3. Make sure the fuel selector is set to gasoline operation.
4. Turn the gasoline fuel valve to the "ON" position.



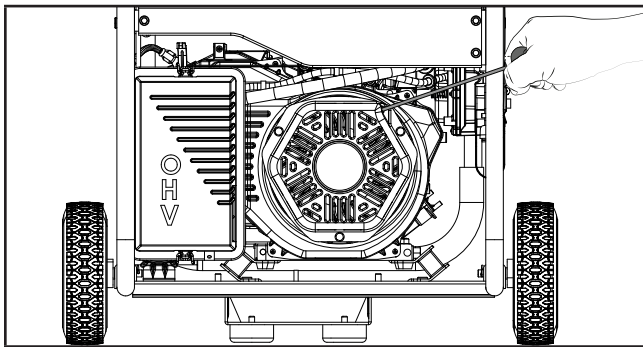
5. Push the engine switch to the "ON" position.



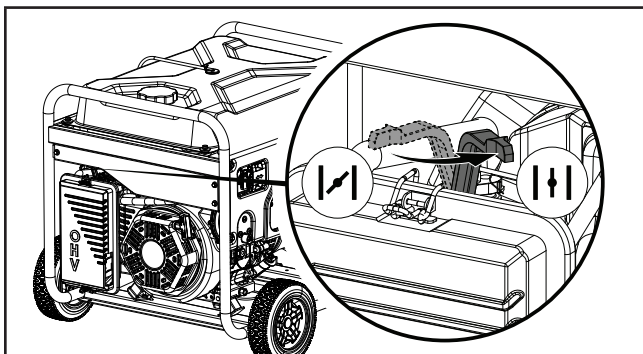
6. Move the choke to the "CHOKE" position.



7. For restarting a warm engine, move the choke to 75% of the "CHOKE" position.
8. Pull the starter cord slowly until resistance is felt and then pull rapidly.



9. Do not over-choke. As soon as engine starts, move the choke to the "RUN" position over a 2-5 second duration.



NOTICE

Keep choke in "CHOKE" position for only 1 pull of the recoil starter. After first pull, move choke to "RUN" position for up to 3 pulls of the recoil starter. Too much choke leads to spark plug fouling/engine flooding due to lack of incoming air. This will cause the engine not to start.

NOTICE

For gasoline restarts with hot engine in hot ambient temperature > 86°F (30°C), keep choke in 75% of the "CHOKE" position for only 1 pull of the recoil starter. After first pull, move choke to "RUN" position for up to 3 pulls of the recoil starter. Too much choke leads to spark plug fouling/engine flooding due to lack of incoming air. This will cause the engine not to start.

NOTICE

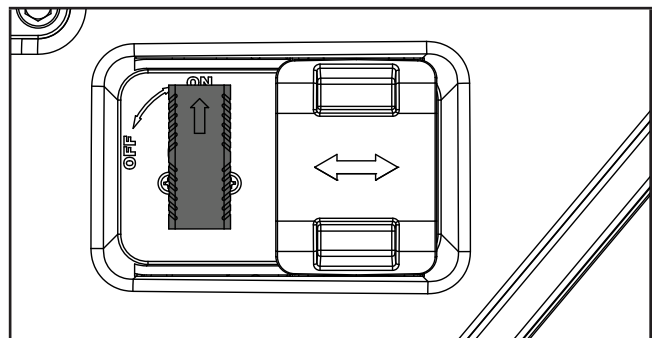
For gas starting in cold ambient temperature < 59°F (15°C), the choke must be in 100% of the "CHOKE" position for recoil start procedures. Do not over-choke. As soon as engine starts, gradually move the choke lever to the "RUN" position over a 2-5 second duration.

NOTICE

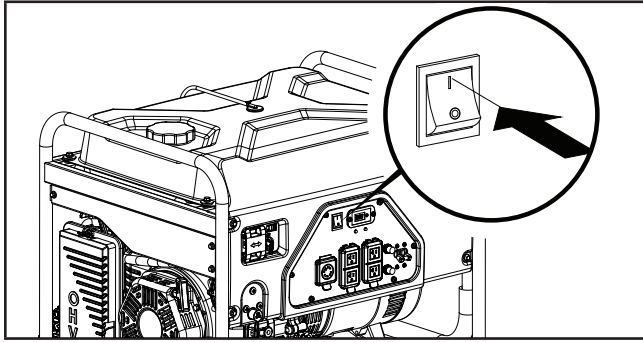
If the engine starts but does not run make certain that the generator is on a flat, level surface. The engine is equipped with a low oil sensor that will prevent the engine from running when the oil level falls below a critical threshold.

Starting the Engine: Propane (LPG)

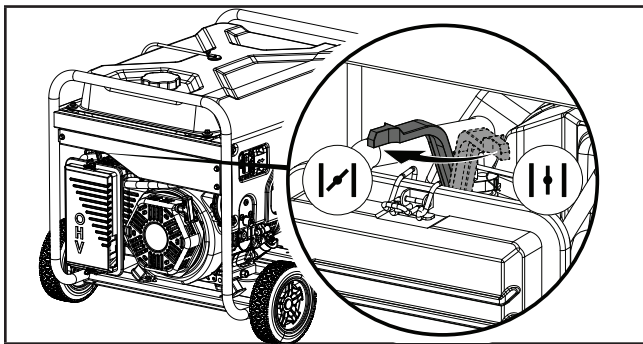
1. Make certain the generator is on a flat, level surface.
2. Disconnect all electrical loads from the generator. Never start or stop the generator with electrical devices plugged in or turned on.
3. Make sure the fuel selector is set to LPG operation.
4. Fully open the fuel valve on the LPG cylinder.
5. Turn the LPG fuel valve to the "ON" position.



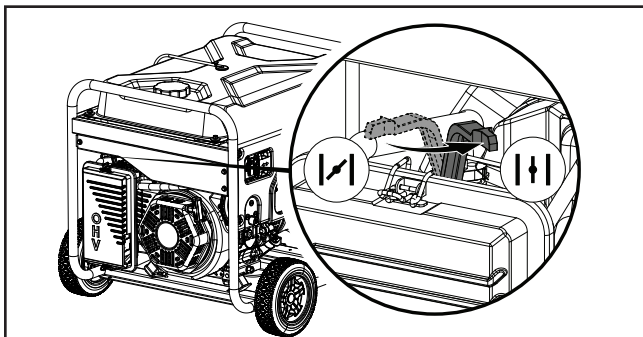
6. Push the engine switch to the "ON" position.



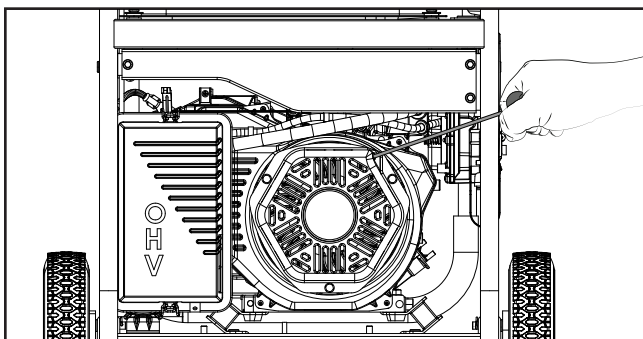
7. Move the choke to the "CHOKE" position. (For restarting a warm engine, move the choke the same position.)



8. PULL-TO-PRIME: Pull the starter cord slowly until resistance is felt and then pull rapidly. Pull with 100% "CHOKE" 1-3 times until you feel a few combustion pulses that indicates that the engine momentarily started.
9. Move the choke to the "RUN" position.



10. Pull the starter cord slowly until resistance is felt and then pull rapidly.



11. If engine fails to start in 1-pull with choke in the "RUN", then move choke to the "CHOKE" position and repeat the PULL-TO-PRIME step.
12. Do not over-choke. As soon as engine starts, move the choke to the "RUN" position over a 2-5 second duration.

NOTICE

For LPG starting in cold ambient temperature <math>< 59^{\circ}\text{F}</math> (15°C), move the choke lever to "CHOKE" for recoil start. To PULL-TO-PRIME for recoil start, pull with choke in the "CHOKE" position 1-3 times until you feel a few combustion pulses that indicates that the engine momentarily started.

NOTICE

If the engine starts but does not run make certain that the generator is on a flat, level surface. The engine is equipped with a low oil sensor that will prevent the engine from running when the oil level falls below a critical threshold.

NOTICE

Accumulation of frost on LPG cylinder and regulators is common during operation and normally is not an indication of a problem. As LPG vaporizes and travels from the cylinder to the generator engine it expands. The amount of frost that forms can be affected by the size of the cylinder, the amount of LPG being used, the humidity of the air and other operating conditions.

In unusual situations this frost may eventually restrict the flow of LPG to the generator resulting in deteriorating performance. For example, if the cylinder temperature is reduced to a very low level then the rate at which the LPG vaporizes is also reduced and may not provide sufficient flow to the engine. This is not an indication of a problem with the generator but only a problem with the flow of LPG from the cylinder. If generator performance seems to be deteriorating at the same time that ice formation is observed on tank valve, hose or regulator then some actions may be taken to eliminate this symptom.

In these rare situations it can be helpful to reduce or eliminate the cold fuel system effects by doing one of the following:

- Exchanging fuel cylinders to allow the first cylinder to warm up, repeating as necessary.
- Placing the cylinder at the end of the generator near the handle, where engine fan air flows out from the generator. This air is slightly heated by flowing over the engine. The cylinder should not be placed in the path of the muffler outlet.
- The cylinder can be temporarily warmed by pouring warm water over the top of the cylinder.

Connecting Electrical Loads

Let the engine stabilize and warm up for a few minutes after starting.

Plug in and turn on the desired 120 or 240 (if applicable) Volt AC single phase, 60 Hz electrical loads.

- DO NOT connect 3-phase loads to the generator.
- DO NOT overload the generator.

WARNING

Always remember to plug your appliances directly into the generator and do not plug the generator power cord into any electrical outlet or connect to the circuit breaker panel in your home.

Connecting a generator to your home's electric utility company's power lines, or to another power source, called 'backfeeding' is a dangerous practice that is illegal in many localities.

In addition, this action if done incorrectly, could damage your generator, appliances and could cause serious injury or death to you or a utility worker attempting to restore power to the neighborhood who may unexpectedly encounter high voltage on the utility line and suffer a fatal shock. Further, whether injuries occur or not, you may be subject to fines or the utility company may disconnect your home should this practice be found in your home.

If the generator will be connected to a building electrical system, you are responsible for ensuring your generator's electricity does not backfeed into the electric utility power lines. These connections must isolate the generator power from the utility power – Consult your local utility company or a qualified electrician to properly install this connection.

Do Not Overload Generator

Capacity

Follow these simple steps to calculate the running and starting watts necessary for your purposes:

1. Select the electrical devices you plan on running at the same time.
2. Total the running watts of these items. This is the amount of power you need to keep your items running.
3. Identify the highest starting wattage of all devices identified in step 1. Add this number to the number calculated in step 2. Starting wattage is the surge of power needed to start some electric driven equipment. Following the steps listed under "Power Management" will guarantee that only one device will be starting at a time.

Power Management

Use the following formula to convert voltage and amperage to watts:

$$\text{Volts} \times \text{Amps} = \text{Watts}$$

To prolong the life of your generator and attached devices, follow these steps to add electrical load:

1. Start the generator with no electrical load attached.
2. Allow the engine to run for several minutes to get up to temperature.
3. Plug in and turn on the first item. It is best to attach the item with the largest load first.
4. Allow the engine to stabilize.
5. Plug in and turn on the next item.
6. Allow the engine to stabilize.
7. Repeat steps 5-6 for each additional item.

NOTICE

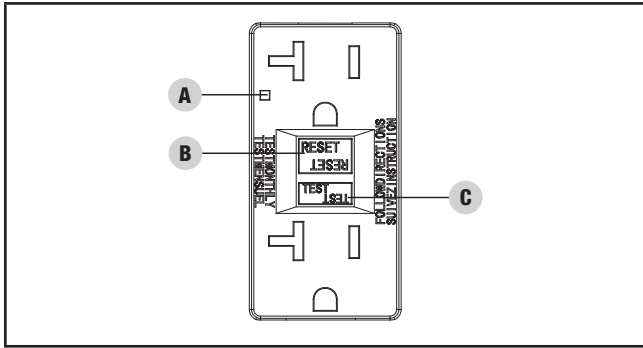
Never exceed the specified capacity when adding loads to the generator.

GFCI

Your generator is equipped with ground fault circuit interrupter (GFCI) receptacles. In the event of a ground fault, a GFCI trips automatically to stop the flow of electricity and prevent serious injury. The green indicator light (A) on the receptacle will also turn off. Press the "RESET" (B) button located on the front of the receptacle to restore flow of electricity. The indicator light will also turn back on. GFCI does not protect against circuit overloads.

To ensure proper operation of the GFCI duplex, perform this test monthly:

1. With the generator running, plug a lamp into the GFCI receptacle. Turn the lamp on.
2. Press the "TEST" (C) button located on the front of the receptacle to trip the device. This should immediately stop the flow of electricity and shut off the lamp. If the electricity is not stopped, do not use this receptacle until it has been serviced or replaced.
3. Press the "RESET" button located on the front of the receptacle to restore the flow of electricity. If the indicator light does not come back on or if the GFCI cannot be reset then it must be replaced.

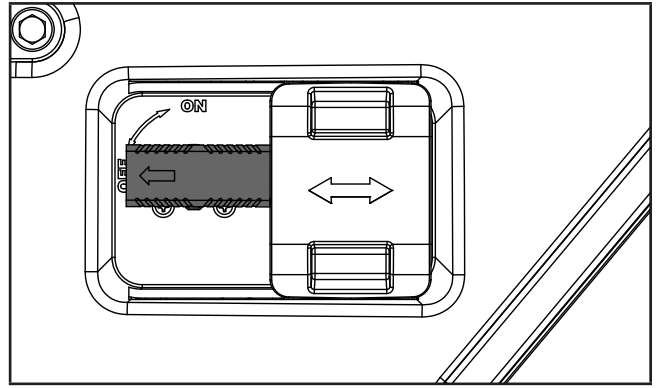


NOTICE

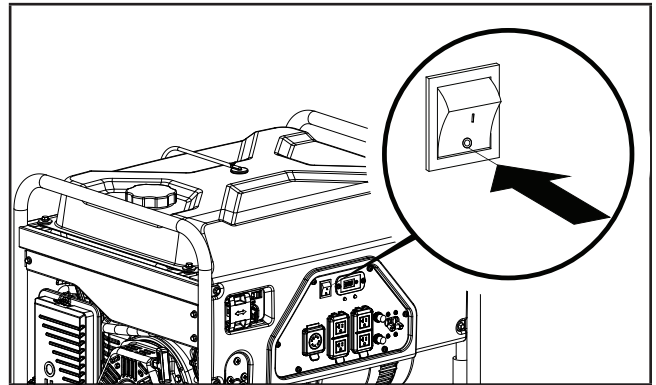
In any electrical application, some current will flow through the protective ground conductor to the ground, this is called leakage current. It takes 4 mA (0.004 A) and higher of leakage current from the hot wire to the ground to cause a GFCI to trip. On circuits protected by GFCI's, leakage current can cause unnecessary and intermittent tripping.

Some stationary motors, such as a bathroom vent fan, fluorescent lighting fixtures or some refrigerators, may produce enough leakage to cause nuisance tripping. To avoid nuisance tripping, a GFCI should not supply:

- Fluorescent or other types of electric-discharge lighting fixtures.
- Permanently installed electric motors, like air conditioners, furnaces or refrigerators.



5. Press the engine switch to the "OFF" position.



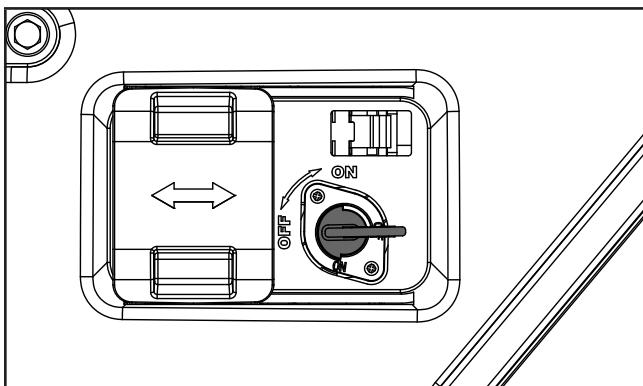
Important: Always ensure that the fuel valve and the engine switch are in the "OFF" position when the generator is not in use.

NOTICE

If the engine will not be used for a period of two (2) weeks or longer, please see the [Storage](#) section for proper engine and fuel storage.

Stopping the Engine

1. Turn off and unplug all connected electrical loads. Never start or stop the generator with electrical devices plugged in or turned on.
2. Let the generator run at no-load for several minutes to stabilize internal temperatures of the engine and generator.
3. **If operating by gasoline**, turn the fuel valve to the "OFF" position.

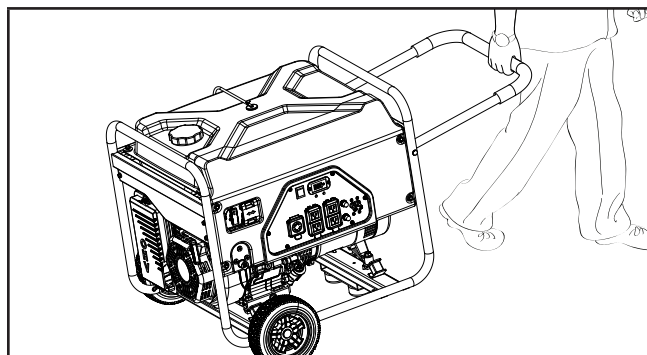


3a. **If operating by propane (LPG)**, fully close the propane (LPG) cylinder valve.

4. **If operating by propane (LPG)**, turn the fuel valve to the "OFF" position.

Moving the Generator

- NEVER lift or carry the generator using the folding handle.
 - ALWAYS place the generator on its wheels in the upright position.
 - ALWAYS turn the generator off and ensure the fuel valve is closed.
 - ALWAYS make sure engine and muffler are cooled down before the generator can be handled safely (typically 15-30 minutes).
1. Begin by raising the folding handle, found on opposite side of wheels.
 2. Using the handle, tilt the end of the generator slightly off the ground until balanced on the wheels.
 3. While maintaining balance, roll the generator to the desired location.



- NEVER tilt sideways while moving the generator.
- Failure to follow these instructions could result in personal injury or damage to the generator.

Operation at High Altitude

The density of air at high altitudes is lower than at sea level. Engine power is reduced as the air mass and air-fuel ratio decrease. Engine power and generator output will be reduced approximately 3½% for every 1000 ft. of elevation above sea level. At high altitudes increased exhaust emissions can also result due to the increased enrichment of the air fuel ratio. Other high altitude issues can include hard starting, increased fuel consumption and spark plug fouling.

To alleviate high altitude issues other than the natural power loss, CPE can provide a high altitude carburetor main jet. The alternative main jet and installation instructions can be obtained by contacting our Technical Support Team. Installation instructions are also available in the Technical Bulletin area of the CPE website.

The part number and recommended minimum altitude for the application of the high altitude carburetor main jet is listed in the following table.

In order to select the correct high altitude main jet it is necessary to identify the carburetor model. For this purpose, a code is stamped on the side of the carburetor. Select the correct high altitude jet part number corresponding to the carburetor code found on your particular carburetor.

| Carb. Code | High Alt. Jet Part Number | Min. Altitude |
|------------|---------------------------|------------------------|
| P27-7-H | 46.131017.20.01.H | 5,000 ft. (1,524 m) |
| P27-7-Y | 46.131017.20.01.Y | |
| P27-7-Z | 46.131017.20.01.Z | |

⚠ WARNING

Operation using the alternative main jet at elevations lower than the recommended minimum altitude can damage the engine. For operation at lower elevations, the originally supplied standard main jet must be used. Operating the engine with the wrong engine configuration at a given altitude may increase its emissions and decrease fuel efficiency and performance.

MAINTENANCE

Make certain that the generator is kept clean and stored properly. Only operate the unit on a flat, level surface in a clean, dry operating environment. DO NOT expose the unit to extreme conditions, excessive dust, dirt, moisture or corrosive vapors.

⚠ WARNING

Never operate a damaged or defective generator.

⚠ WARNING

Improper maintenance will void your warranty.

🗨 NOTICE

For Emission control devices and systems, read and understand your responsibilities for service as stated in the Emission Control Warranty Statement of this manual.

The owner/operator is responsible for all periodic maintenance.

Complete all scheduled maintenance in a timely manner.

Correct any issue before operating the generator.

For service or parts assistance, contact our Technical Support Team at 1-877-338-0999.

Cleaning the Generator

⚠ CAUTION

DO NOT spray generator directly with water.

Water can enter the generator through the cooling slots and damage the generator windings. It can also contaminate the fuel system.

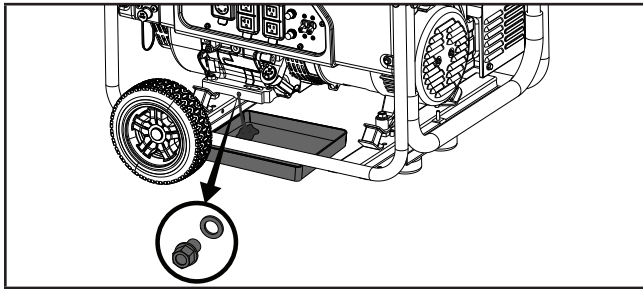
1. Use a damp cloth to clean exterior surfaces of the generator.
2. Use a soft bristle brush to remove dirt and oil.
3. Use an air compressor (25 PSI) to clear dirt and debris from the generator.
4. Inspect all air vents and cooling slots to ensure that they are clean and unobstructed.

To prevent accidental starting, remove and ground the spark plug wire before performing any service.

Changing the Engine Oil

Change oil when the engine is warm. Refer to the oil specification to select the proper grade for your operating environment.

1. Remove the oil drain plug with a 15 mm socket (not included) and extension.
2. Allow the oil to drain completely into an appropriate container.



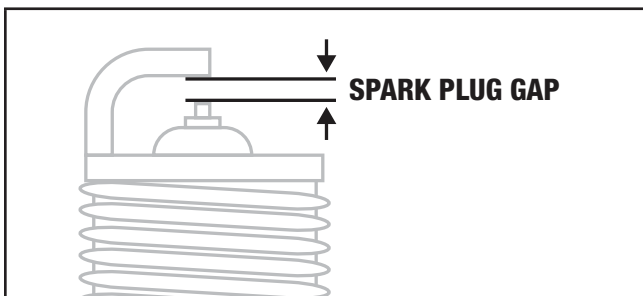
3. Replace the oil drain plug.
4. Remove the oil fill cap/dipstick to add oil.
5. Add oil according to "Add Engine Oil" in Assembly section. DO NOT OVERFILL. Oil not included for routine maintenance.
6. Dispose of used oil at an approved waste management facility.

NOTICE

Once oil has been added, a visual check should show oil about 1-2 threads from running out of the fill hole. If using the dipstick to check oil level, DO NOT screw in the dipstick while checking.

Cleaning and Adjusting the Spark Plug

1. Remove the spark plug cable from the spark plug.
2. Use a spark plug socket tool (not included), or a 13/16 in. (21 mm) socket (not included) to remove the plug.
3. Inspect the electrode on the plug. It must be clean and not worn to produce the spark required for ignition.
4. Make certain the spark plug gap is 0.028-0.031 in. (0.7-0.8 mm).



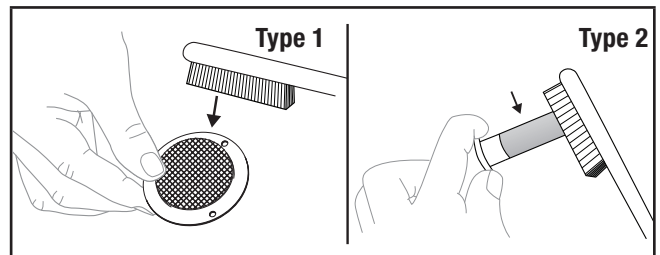
5. Refer to the spark plug types in [Specifications](#) when replacing the plug.
6. Firmly re-install the plug.
7. Attach the spark plug cable to the spark plug.

Cleaning the Air Filter

1. Remove the snap-on cover holding the air filter to the assembly.
2. Remove the foam element.
3. Wash in liquid detergent and water. Squeeze thoroughly dry in a clean cloth.
4. Saturate in clean engine oil.
5. Squeeze in a clean, absorbent cloth to remove all excess oil.
6. Place the filter in the assembly.
7. Reattach the air filter cover and snap in place.

Cleaning the Spark Arrestor

1. Allow the engine to cool completely before servicing the spark arrestor.
2. Remove the two or three screws (varies by model) holding the cover plate which retains the spark arrestor to the muffler.
3. Remove the spark arrestor screen.
4. Carefully remove the carbon deposits from the spark arrestor screen with a wire brush.



* See your model's parts list for specified type of spark arrestor.

5. Replace the spark arrestor if it is damaged.
6. Position the spark arrestor on the muffler and attach with the screws removed in step 2.

CAUTION

Failure to clean the spark arrestor will result in degraded engine performance.

NOTICE

Federal and local laws and administrative requirements indicate when and where spark arrestors are required. When ordered, spark arrestors are required for operation of this generator in National Forest lands. In California, this generator must not be used on any forest-covered land, brush-covered land, or grass-covered land unless the engine is equipped with a spark arrestor.

Adjusting the Governor**WARNING**

Tampering with the factory set governor will void your warranty.

The air-fuel mixture is not adjustable. Tampering with the governor can damage your generator and your electrical devices and will void your warranty. Contact our Technical Support Team at 1-877-338-0999 for all other service and/or adjustment needs.

Maintenance Schedule

Follow the service intervals indicated in the following maintenance schedule.

Service your generator more frequently when operating in adverse conditions.

Contact our Technical Support Team at 1-877-338-0999 to locate the nearest CPE certified service dealer for your generator or engine maintenance needs.

EVERY 8 HOURS OR PRIOR TO EACH USE

- Check oil level
- Clean around air intake and muffler
- Check propane (LPG) hose for leaks

FIRST 5 HOURS (BREAK IN)

- Change oil

EVERY 50 HOURS OR ANNUALLY

- Clean air filter
- Change oil if operating under heavy load or in hot environments

EVERY 100 HOURS OR ANNUALLY

- Change oil
- Clean/adjust spark plug
- Clean spark arrestor
- Clean fuel valve filter*

EVERY 250 HOURS

- Clean combustion chamber*
- Check/adjust valve clearance*

EVERY 3 YEARS

- Replace fuel line*
- Replace LPG hose

*To be performed by knowledgeable, experienced owners or CPE certified service centers.

STORAGE**⚠ DANGER**

Gasoline, gasoline vapors and propane (LPG) are highly flammable and extremely explosive.

Fire or explosion can cause severe burns or death. Only fill or drain fuel outdoors in a well-ventilated area. DO NOT pump gasoline directly into the generator. Use an approved container to transfer the fuel to the generator. Never use a gasoline container, gasoline tank, LPG connector hose, LPG cylinder or any other fuel item that is damaged or appears damaged. DO NOT overfill the gasoline tank. Always keep fuel away from sparks, open flames, pilot lights, heat and other sources of ignition. DO NOT light or smoke cigarettes.

NOTICE

If no gasoline has been added to the generator, the gasoline tank and carburetor drainage steps may be skipped.

Short Term Storage (up to 30 days)

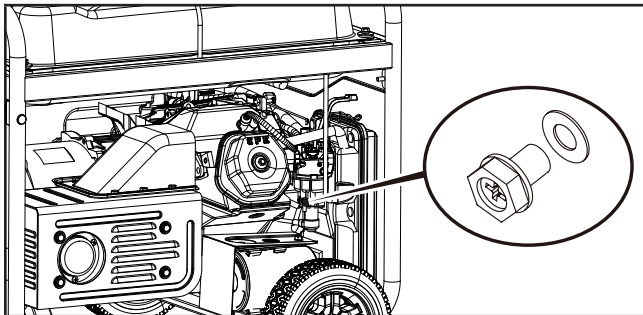
Gasoline may gum up and clog the carburetor if the generator is not run or carburetor drained within 4 weeks.

1. Be sure all appliances are disconnected from the generator.
2. Start the generator as instructed in "Starting the Engine: Gasoline" section.
3. Turn the fuel valve to the "OFF" position.
4. Let the engine run until fuel starvation has stopped the engine. This usually takes a few minutes.
5. Move the engine switch to the "OFF" position.

Mid Term Storage (up to 1 year)

Gasoline in the gasoline tank has a maximum shelf life of up to 1 year with the addition of properly formulated fuel stabilizers and if stored in a cool, dry place. Gasoline in the carburetor, however, may gum up and clog the carburetor if it isn't used or drained within 2-4 weeks.

1. Be sure all appliances are disconnected from the generator.
2. Add a properly formulated fuel stabilizer to the gasoline tank.
3. Set the fuel selector switch for operation on gasoline.
4. Start and run the generator for 10 minutes so the treated gasoline cycles through the fuel system and carburetor.
5. **Option 1: Drain Gasoline from Carburetor**
 - 5a. Turn ignition switch to the "OFF" position and allow generator to cool completely before continuing.
 - 5b. Set the fuel selector switch for operation on LPG and be sure any LPG fuel source is turned off and disconnected from the generator.
 - 5c. Use the drain bolt on the carburetor to empty any excess gasoline from the carburetor into an appropriate container. Use a funnel (and appropriate hose if necessary) under the carburetor drain bolt to avoid spillage.



- 5d. When gasoline stops flowing from the carburetor, replace and tighten the carburetor drain bolt and be sure to properly dispose of the drained gasoline according to local regulations or guidelines.
6. **Option 2: Run Dry**
 - 6a. With the generator running, turn the fuel valve to the "OFF" position and allow the generator to run until the engine stops from complete fuel starvation. This may take a few minutes.
 - 6b. Turn engine switch to the "OFF" position and allow generator to cool completely before continuing.
7. Remove the spark plug cap and spark plug and pour about a tablespoon of oil into the cylinder.
8. Pull the recoil slowly to crank the engine to distribute the oil and lubricate the cylinder.

9. Install the spark plug and spark plug cap.
10. Clean the generator according to [Cleaning the Generator](#).
11. Store the generator in a cool, dry place out of direct sunlight.

Long Term Storage (more than 1 year)

For storage over 1 year, the gasoline tank and carburetor must be completely drained of gasoline.

1. Follow steps 1-4 according to [Mid Term Storage](#).
 - 1a. Turn engine switch to the "OFF" position and allow generator to cool completely before continuing.
2. Use the drain bolt on the carburetor to empty any excess gasoline from the gasoline tank and carburetor into an appropriate container. Use a funnel (and appropriate hose if necessary) under the carburetor drain bolt to avoid spillage.
3. When gasoline stops flowing from the carburetor, replace and tighten the carburetor drain bolt and be sure to properly dispose of the drained gasoline according to local regulations or guidelines.
4. Set the fuel selector switch for operation on LPG and be sure any LPG fuel source is turned off and disconnected from the generator.
5. Follow steps 7-11 according to [Mid Term Storage](#).

Removing from Storage

If the generator has been improperly stored for a long period of time with gasoline in the gasoline tank and/or carburetor, all fuel must be drained and the carburetor must be thoroughly cleaned. This process involves technically advanced tasks. For assistance please call our Technical Support Team at 1-877-338-0999.

If the gasoline tank and carburetor were properly emptied of all gasoline prior to the generator being stored, follow the below steps when removing from storage.

1. Be sure the engine switch is in the "OFF" position.
2. Add gasoline to the generator according to [Add Fuel: Gasoline](#).
3. Set the fuel selector switch for operation on gasoline.
4. After 5 minutes check the carburetor and air filter areas for any leaking gasoline. If any leaks are found, the carburetor will need to be disassembled and cleaned or replaced. If no gasoline leaks are found, set the fuel selector switch for operation on propane (LPG)
5. Check engine oil level and add clean, fresh oil if needed. See [Oil Specifications](#) for proper oil type.
6. Check and clear air filter of any obstructions such as bugs or cobwebs. If necessary, clean air filter according to [Cleaning the Air Filter](#).

7. Start the generator according to [Starting the Engine](#).

⚠ DANGER

Generator exhaust contains odorless and colorless carbon monoxide gas.

To avoid accidental or unintended ignition of your generator during periods of storage, the following precautions should be followed:

- When storing the generator make sure the engine switch and fuel valve are set to the “OFF” position.

SPECIFICATIONS

Generator Specifications

| | |
|--------------------------------------|--------------------|
| Generator Model | 100592 |
| Start Type | Manual |
| Watts (Starting/Running) | 7850/6250 |
| Watts (LPG) (Starting/Running) | 7050/5600 |
| AC Volts | 120/240 |
| AC Amps @ 120V | 52.1 |
| AC Amps @ 240V | 26 |
| Frequency | 60 Hz |
| Phase | Single |
| Grounding Type | Neutral Bonded |
| Weight | 167 lb. (75.9 kg) |
| Length | 27 in. (68.6 cm) |
| Width | 27.8 in. (70.5 cm) |
| Height | 25 in. (63.5 cm) |

Engine Specifications

| | |
|--------------------|--------------|
| Model | YF188FD-L_G |
| Displacement | 389 cc |
| Type | 4-Stroke OHV |

Spark Plug

| | |
|------------------------|------------------------------|
| OEM Type | NHSP F6RTC |
| Replacement Type | NGK BPR6ES or equivalent |
| Gap | 0.028-0.031 in. (0.7-0.8 mm) |

Valve

| | |
|-------------------------|--------------------------------|
| Intake Clearance | 0.005-0.007 in. (0.13-0.17 mm) |
| Exhaust Clearance | 0.007-0.009 in. (0.18-0.22 mm) |

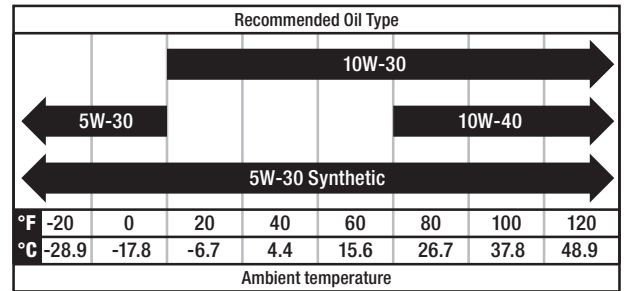
NOTICE

A technical bulletin regarding valve adjustment procedures is available at www.championpowerequipment.com.

Oil Specifications

DO NOT OVERFILL.

| | |
|----------------|------------------------|
| Type | *See chart below |
| Capacity | 37.2 fl. oz. (1.2 qt.) |



NOTICE

Temperature will affect engine oil and engine performance. Change the type of engine oil used based on the temperature to suit the engine needs.

Fuel Specifications

Use unleaded gasoline with a minimum octane rating of 85 and an ethanol content of 10% or less by volume. DO NOT USE E15 or E85. DO NOT OVERFILL.

| | |
|-------------------------|-----------------|
| Gasoline Capacity | 6 gal. (22.9 L) |
|-------------------------|-----------------|

Propane (LPG)

- Use only an approved LPG cylinder equipped with an OPD (overfilling prevention device) valve.

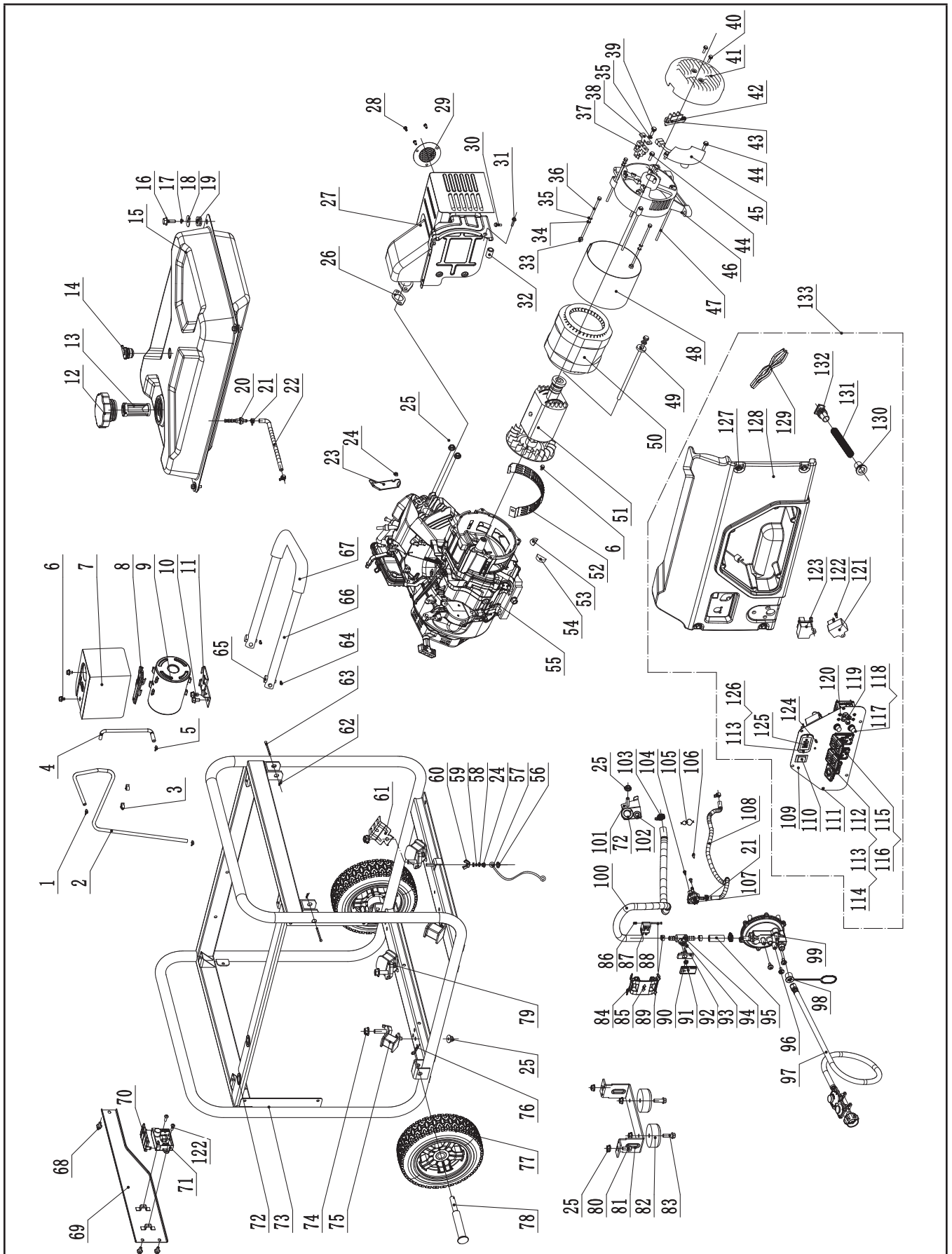
Temperature Specifications

| | |
|--|--------------------|
| Starting Temperature Range (°F/°C) | 5 to 104/-15 to 40 |
|--|--------------------|

NOTICE

An important message about temperature: Your product is designed and rated for continuous operation at ambient temperatures up to 104°F (40°C). When needed, it may be operated at temperatures ranging from 5°F (-15°C) to 122°F (50°C) for short periods of time. If exposed to temperatures outside this range during storage, it should be brought back within this range before operation. In any event, the product must always be operated outdoors, in a well-ventilated area and away from doors, windows and vents.

Parts Diagram



Parts List

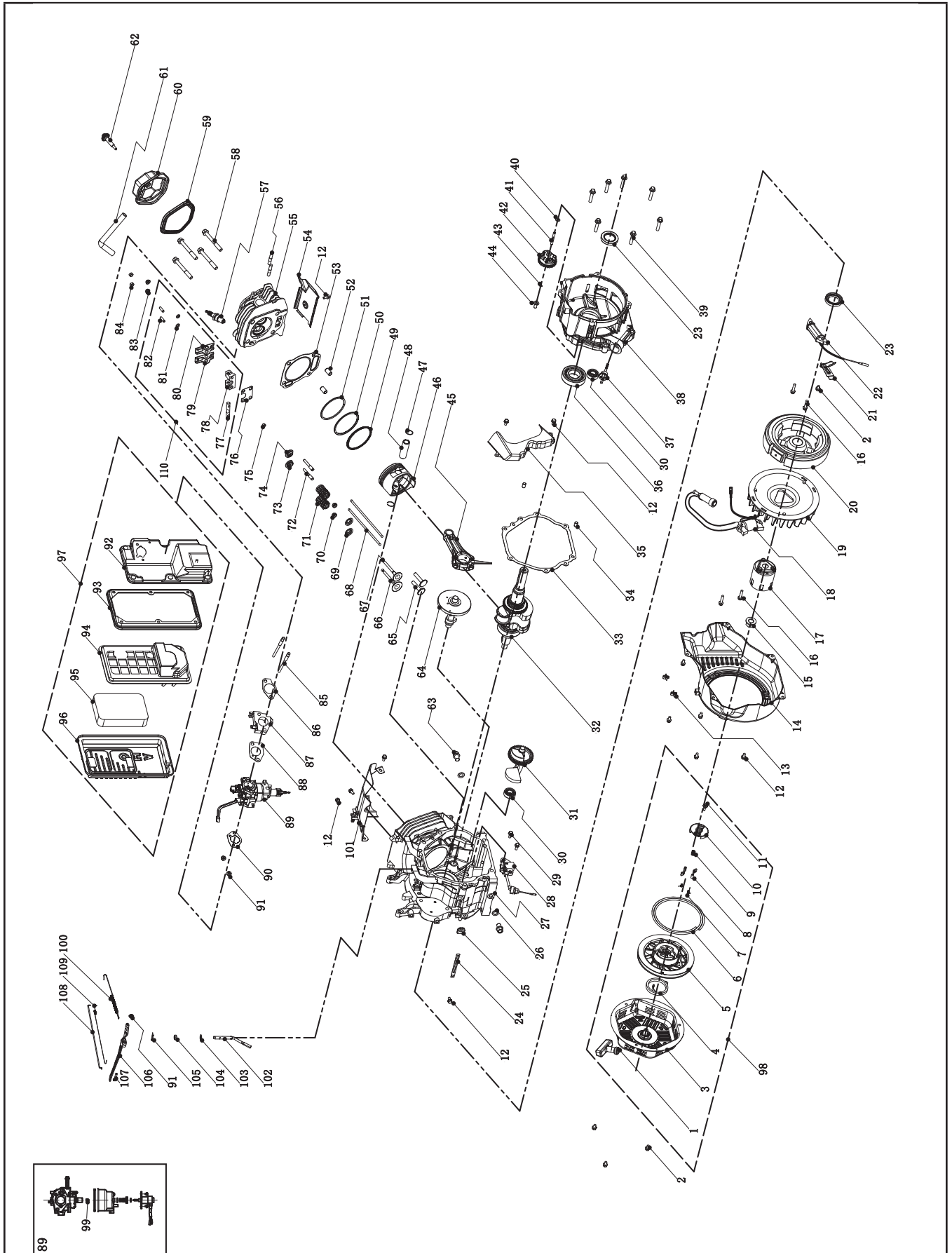
| # | Part Number | Description | Qty. |
|----|------------------|---------------------------------|------|
| 1 | 2.06.006 | Clamp, Ø7 × Ø1 | 2 |
| 2 | 152.070014.05 | Pipe, Reversal Valve, 810 mm | 1 |
| 3 | 2.05.001 | Clamp, Ø8 × 6.5 | 2 |
| 4 | 152.070013.03 | Pipe, Air Cleaner, 135 mm | 1 |
| 5 | 2.06.004 | Clamp, Ø8 × Ø1 | 1 |
| 6 | 1.5789.0608 | Flange Bolt M6 × 8 | 3 |
| 7 | 152.070018.02 | Board, Heat Insulation | 1 |
| 8 | 152.070702.06 | Support Arm, Top | 1 |
| 9 | 152.070700.02 | Carbon Canister, 650 cc | 1 |
| 10 | 1.16674.0812 | Flange Bolt M8 × 12 | 2 |
| 11 | 152.070702.05 | Support Arm, Bottom | 1 |
| 12 | 122.070100.07 | Fuel Tank Cap | 1 |
| 13 | 122.070300.03 | Fuel Filter | 1 |
| 14 | 24.070800.00 | Reversal Valve | 1 |
| 15 | 152.071000.31.48 | Fuel Tank, 22.9L, Yellow | 1 |
| 16 | 1.5789.0620.1 | Flange Bolt M6 × 20, Black | 4 |
| 17 | 1.93.06 | Lock Washer Ø6 | 4 |
| 18 | 2.03.004.1 | Washer, Ø24 × Ø6.5 × 1.5, Black | 4 |
| 19 | 122.070015.01 | Mount Vibration, Fuel Tank | 4 |
| 20 | 21.070600.03 | Fitting, Fuel Tank | 1 |
| 21 | 2.06.016 | Clamp, Ø8.7 × b8 | 4 |
| 22 | 152.070011.08 | Fuel Pipe, 265 mm | 1 |
| 23 | 45.090006.20 | Holder, Air Cleaner | 1 |
| 24 | 1.6177.1.06 | Lock Nut M6, Flange | 2 |
| 25 | 1.6177.1.08 | Lock Nut M8, Flange | 11 |
| 26 | 46.100001.07 | Gasket, Exhaust | 1 |
| 27 | 46.101000.13.2 | Muffler Assembly | 1 |
| 28 | 1.9074.4.0510 | Screw/Washer Assembly M5 × 10 | 3 |
| 29 | 46.101300.00 | Spark Arrester Assembly | 1 |
| 30 | 1.16674.0820 | Flange Bolt M8 × 20 | 2 |
| 31 | 1.16674.0835 | Flange Bolt M8 x 35 | 1 |
| 32 | 2.13.009 | Bushing Ø9 x Ø13 x 16 | 1 |
| 33 | 1.6175.05 | Nut M5 | 2 |
| 34 | 1.97.1.05 | Washer Ø5 | 2 |
| 35 | 1.93.05 | Lock Washer Ø5 | 3 |
| 36 | 2.08.031 | Bolt M5 × 201 | 2 |
| 37 | 152.190300.00 | Carbon Brush Assembly | 1 |

| # | Part Number | Description | Qty. |
|----|------------------|---|------|
| 38 | 122.190004.01 | Pinch, Carbon Brush | 1 |
| 39 | 1.5783.0520 | Bolt M5 × 20 | 1 |
| 40 | 1.16674.0512.2 | Flange Bolt M5 × 12 | 2 |
| 41 | 152.190003.00.48 | Generator End Cover, Yellow | 1 |
| 42 | 1.9074.17.0516 | Screw/Washer Assembly M5 × 16 | 2 |
| 43 | 122.190400.00 | Terminal Block | 1 |
| 44 | 1.16674.0516 | Flange Bolt M5 × 16 | 3 |
| 45 | 153.190200.03 | AVR | 1 |
| 46 | 152.190002.00 | End Housing | 1 |
| 47 | 2.08.029 | Flange Bolt M6 × 165 | 4 |
| 48 | 151.191002.15 | Stator Cover | 1 |
| 49 | 2.08.030 | Flange Bolt M10 × 250 | 1 |
| 50 | 152.191200.39 | Stator Assembly, Al, Ø190 × 125 mm, CSA | 1 |
| 51 | 152.191100.39 | Rotor Assembly, Al, Ø190 × 125 mm, CSA | 1 |
| 52 | 152.192300.01 | Air Guide | 1 |
| 53 | 152.190005.00 | Rubber, Fore-Cover, A | 1 |
| 54 | 152.190005.01 | Rubber, Fore-Cover, B | 1 |
| 55 | 46.492 | Engine, 389cc | 1 |
| 56 | 1.862.06 | Lock Washer Ø6, Toothed | 1 |
| 57 | 5.1900.026 | Grounding Line 150 mm | 1 |
| 58 | 1.97.1.06.2 | Washer Ø6 | 2 |
| 59 | 1.93.06.2 | Lock Washer Ø6 | 1 |
| 60 | 1.62.06 | Butterfly Type Nut M6 | 1 |
| 61 | 152.100007.00 | Insulation Board, Motor Mount | 1 |
| 62 | 11.110008.00 | "R" Shape | 2 |
| 63 | 152.200703.05 | Long Pin, Handle | 2 |
| 64 | 1.894.1.08 | Circlip Ø8 | 2 |
| 65 | 152.200703.02 | Short Pin, Handle | 2 |
| 66 | 152.200701.16.2 | Handle, U Shape | 1 |
| 67 | 152.200702.02 | Cover, Handle | 1 |
| 68 | 1.5789.0612.1 | Flange Bolt M6 × 12, Black | 3 |
| 69 | 152.200800.18.2 | Decorative Plate | 1 |
| 70 | 122.200800.08 | Cover, CO Module | 1 |
| 71 | 5.1830.022 | Module, CO Shutdown | 1 |
| 72 | 152.070031.00 | Jacket, LPG Hose | 3 |
| 73 | 65271.0.3.2 | Frame, 680 × 567 × 569 | 1 |
| 74 | 1.6177.1.10 | Lock Nut M10, Flange | 4 |

| # | Part Number | Description | Qty. |
|-----|------------------|--------------------------------------|------|
| 75 | 152.201200.03 | Motor Mount 1 | 2 |
| 76 | 2.16.001 | Pin Ø2 × 33, "R" Shape | 2 |
| 77 | 122.201701.07.48 | 8 in. Wheel, PU, Yellow | 2 |
| 78 | 122.201501.23 | Pin Roll, Wheel, Ø16 × Ø10 × 97 | 2 |
| 79 | 152.201200.04 | Motor Mount 2 | 2 |
| 80 | 1.5789.0816 | Flange Bolt M8 × 16 | 2 |
| 81 | 152.200002.00.2 | Support Leg, 60 mm | 1 |
| 82 | 152.201400.00 | Rubber, Support | 2 |
| 83 | 1.5789.0825 | Flange Bolt M8 × 25 | 2 |
| 84 | 152.201004.00 | Lock Catch | 2 |
| 85 | 152.200019.00.48 | Switch Handle, Yellow | 1 |
| 86 | 1.6170.03 | Nut M3 | 1 |
| 87 | 5.1050.000 | Switch | 1 |
| 88 | 1.819.1.0330 | Screw M3 × 30 | 1 |
| 89 | 2.06.032 | Clip, Ø17 | 2 |
| 90 | 1.6182.05 | Lock Nut M5 | 1 |
| 91 | 122.070032.00 | Sleeve, Knob | 1 |
| 92 | 122.070025.02 | Knob | 1 |
| 93 | 1.819.0408 | Screw M4 × 8 | 2 |
| 94 | 122.074000.01 | Cut-off Valve, B | 1 |
| 95 | 152.070012.05 | Pipe, 40 mm | 1 |
| 96 | 2.08.055 | Bolt M6 × 14 | 3 |
| 97 | 47.130021.01 | LPG Hose with regulator 3.3 ft. | 1 |
| 98 | 9.1500.002 | Sleeve, Connector | 1 |
| 99 | 47.136000.01 | Pressure Reducing Valve | 1 |
| 100 | 152.070012.06 | Pipe, 750 mm | 1 |
| 101 | 152.200018.00 | Supporter | 1 |
| 102 | 152.070031.01 | Jacket, Fuel Hose | 1 |
| 103 | 2.06.023 | Clamp, Ø20 | 2 |
| 104 | 1.845.4816 | Screw ST4.8 × 16 | 2 |
| 105 | 2.06.050 | Clip, Ø8 × Ø18 | 1 |
| 106 | 1.845.3513 | Screw ST3.5 × 13 | 1 |
| 107 | 122.070400.06 | Fuel Valve | 1 |
| 108 | 152.070011.09 | Fuel Pipe, 480 mm | 1 |
| 109 | 152.19.26.2 | Control Panel | 1 |
| 110 | 5.1000.004.3 | Ignition Switch, Red | 1 |
| 111 | 1.9074.4.0514.1 | Screw/Washer Assembly M5 × 14, Black | 6 |
| 112 | 5.1120.009 | Receptacle L14-30R | 1 |
| 113 | 1.6177.1.04.1 | Lock Nut M4, Flange, Black | 8 |

| # | Part Number | Description | Qty. |
|-----|-----------------|---|------|
| 114 | 5.1870.003 | Receptacle Cover, Receptacle L14-30R | 1 |
| 115 | 5.1120.050 | Receptacle 5-20R, Duplex GFCI | 2 |
| 116 | 5.1870.005 | Receptacle Cover, Receptacle 5-20R GFCI | 2 |
| 117 | 5.1210.920 | 20Amp Circuit Breaker, Push Button | 2 |
| 118 | 5.1870.014 | Cover, Pushbutton Circuit Breaker | 2 |
| 119 | 5.1240.260 | 26Amp Circuit Breaker, Double Pole | 1 |
| 120 | 1.9074.4.0306.1 | Screw/Washer Assembly M3 × 6, Black | 4 |
| 121 | 5.1810.003 | Module, VFO Diode | 1 |
| 122 | 1.823.0514 | Screw M5 × 14 | 4 |
| 123 | 5.1820.004 | Module, Battery Charger | 1 |
| 124 | 5.1460.019 | Module, CO Shutdown LED | 1 |
| 125 | 5.1430.002 | Intelligauge | 1 |
| 126 | 1.9074.4.0414.1 | Screw/Washer Assembly M4 × 14, Black | 2 |
| 127 | 1.5789.0615.1 | Flange Bolt M6 × 15, Black | 4 |
| 128 | 152.210002.17 | Control Box | 1 |
| 129 | 100592.21.10 | Wire Assembly | 1 |
| 130 | 122.210003.01 | Wire Jacket, Control Box | 1 |
| 131 | 5.1330.017 | Sheath, Wire, Ø17 × 300mm | 1 |
| 132 | 152.210003.02 | Plug, End Cover | 1 |
| 133 | 100592.21 | Control Panel Assembly | 1 |

Engine Parts Diagram



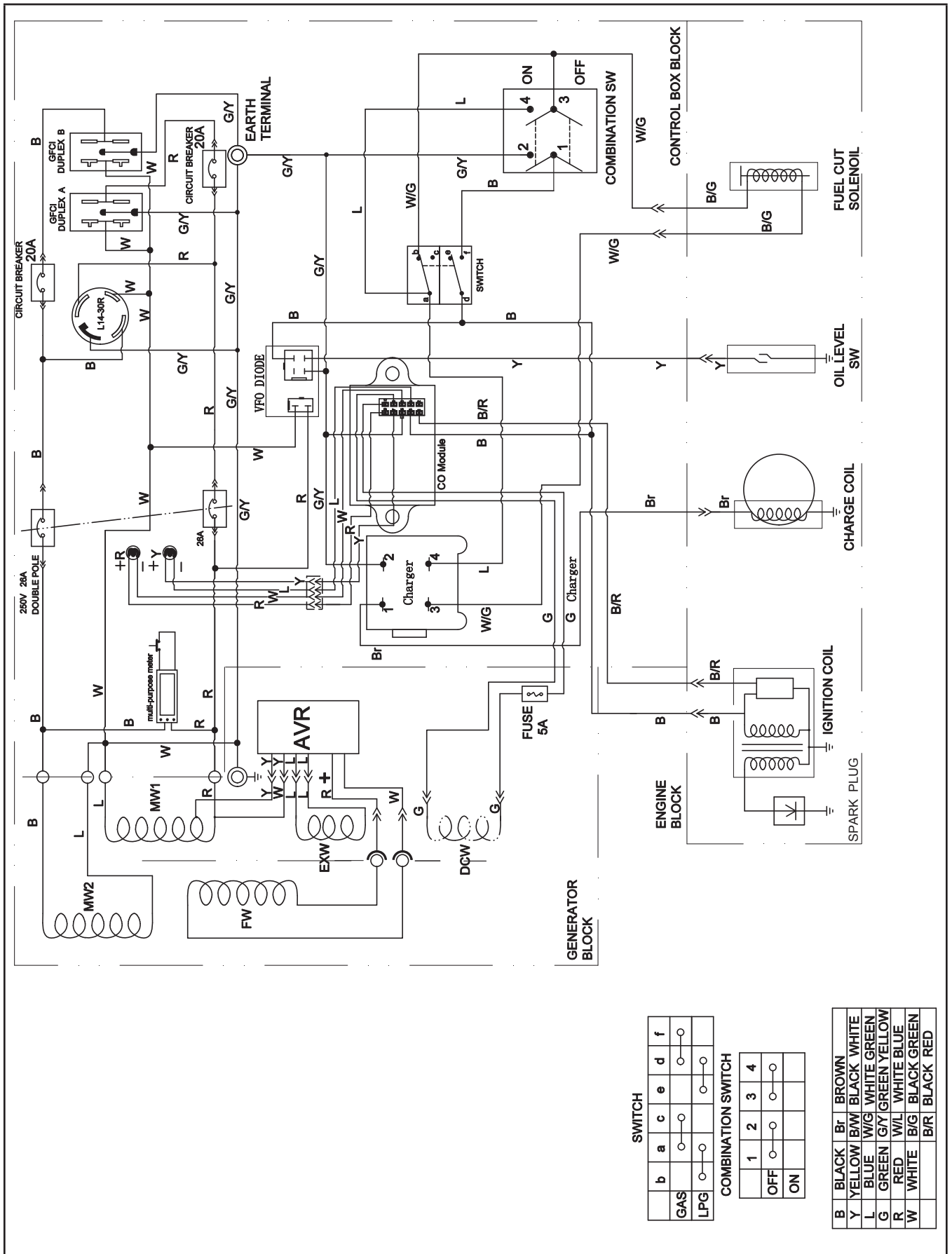
Engine Parts List

| # | Part Number | Description | Qty. |
|----|-----------------|------------------------------------|------|
| 1 | 21.061300.00 | Handle, Recoil, Soft | 1 |
| 2 | 1.5789.0608 | Flange Bolt M6 × 8 | 4 |
| 3 | 46.061100.00.2 | Cover, Recoil Starter, Black | 1 |
| 4 | 45.060005.00 | Spring, Recoil Starter | 1 |
| 5 | 45.061102.00 | Reel, Recoil Starter | 1 |
| 6 | 2.10.003.1 | Rope Ø4 × 1550, Black | 1 |
| 7 | 45.060003.00 | Spring, Ratchet | 2 |
| 8 | 45.060002.00 | Starter Ratchet, Steel | 2 |
| 9 | 45.060009.00 | Spring, Ratchet Guide | 1 |
| 10 | 45.060007.00 | Ratchet Guide | 1 |
| 11 | 45.060008.00 | Screw, Ratchet Guide | 1 |
| 12 | 1.5789.0612 | Flange Bolt M6 × 12 | 12 |
| 13 | 2.05.009 | Clamp Ø12.5 × 7 | 2 |
| 14 | 46.080100.01.48 | Fan Cover, Yellow | 1 |
| 15 | 2.02.007 | Nut M16 × 1.5 | 1 |
| 16 | 1.5789.0629 | Flange Bolt M6 × 29 | 4 |
| 17 | 45.060001.00 | Pulley, Starter | 1 |
| 18 | 46.123000.07 | Ignition Coil | 1 |
| 19 | 47.080001.00 | Cooling Fan | 1 |
| 20 | 46.120100.06 | Flywheel | 1 |
| 21 | 45.030006.00 | Plate, Coil | 1 |
| 22 | 45.121000.00 | Coil, Charging | 1 |
| 23 | 2.11.007 | Oil Seal Ø35 × Ø52 × 8 | 2 |
| 24 | 2.05.050 | Wire Clip, 100 mm | 1 |
| 25 | 45.030032.00 | Sheath, Wire | 1 |
| 26 | 2.03.023 | Washer Ø12.5 × Ø20 × 2, Drain Bolt | 2 |
| 27 | 46.030100.04 | Crankcase | 1 |
| 28 | 45.127000.02 | Oil Level Sensor | 1 |
| 29 | 1.5789.0615 | Flange Bolt M6 × 15 | 2 |
| 30 | 1.276.6202 | Bearing 6202 | 2 |
| 31 | 47.050006.00 | Weight Balancer | 1 |
| 32 | 45.050100.14 | Crankshaft Assembly | 1 |
| 33 | 46.030008.00 | Gasket, Crankcase Cover | 1 |
| 34 | 2.04.001 | Dowel Pin Ø9 × 14 | 2 |
| 35 | 46.080600.00 | Air Guide, Right Side | 1 |
| 36 | 1.276.6207 | Bearing 6207 | 1 |
| 37 | 46.031000.01.48 | Oil Dipstick Assembly, Yellow | 1 |
| 38 | 45.030007.00 | Cover, Crankcase | 1 |
| 39 | 1.5789.0840 | Flange Bolt M8 × 40 | 7 |

| # | Part Number | Description | Qty. |
|----|-----------------|--------------------------------|------|
| 40 | 2.03.021.1 | Washer Ø6.4 × Ø13 × 1, Black | 1 |
| 41 | 45.110013.00 | Shaft, Governor Gear | 1 |
| 42 | 45.110100.00 | Gear, Governor | 1 |
| 43 | 21.110011.00 | Clip, Governor Gear | 1 |
| 44 | 45.110012.00 | Bushing, Governor Gear, Steel | 1 |
| 45 | 47.050200.00 | Connecting Rod Assembly | 1 |
| 46 | 46.050005.00 | Piston | 1 |
| 47 | 2.09.004 | Circlip Ø21 × Ø1 | 2 |
| 48 | 45.050003.00 | Pin, Piston | 1 |
| 49 | 46.050303.00 | Ring, Oil | 1 |
| 50 | 46.050302.00 | Ring, Second Piston | 1 |
| 51 | 46.050301.00 | Ring, First Piston | 1 |
| 52 | 2.04.004 | Dowel Pin Ø12 × 20 | 2 |
| 53 | 46.030009.02 | Cover, Cylinder Head | 1 |
| 54 | 46.080400.00 | Air Guide, Lower | 1 |
| 55 | 46.010100.00 | Cylinder Head | 1 |
| 56 | 2.01.010 | Stud Bolt M8 × 35 | 2 |
| 57 | 2.15.002(F6RTC) | Spark Plug F6RTC | 1 |
| 58 | 2.08.014 | Flange Bolt M10 × 80 | 4 |
| 59 | 46.020002.00 | Gasket, Cylinder Head Cover | 1 |
| 60 | 46.021000.00 | Cover, Cylinder Head | 1 |
| 61 | 45.020001.02 | Breather Tube | 1 |
| 62 | 45.020100.00 | Bolt, Cylinder Head Cover | 1 |
| 63 | 2.08.039 | Drain Bolt M12 × 1.5 × 15 | 2 |
| 64 | 46.041000.00 | Camshaft | 1 |
| 65 | 45.040013.00 | Lifter, Valve | 2 |
| 66 | 45.040002.00 | Valve, Intake | 1 |
| 67 | 45.040006.00 | Valve, Exhaust | 1 |
| 68 | 46.040005.00 | Push Rod | 2 |
| 69 | 45.040015.00 | Retainer, Valve Spring | 2 |
| 70 | 45.040017.00 | Oil Seal, Valve | 2 |
| 71 | 45.040003.00 | Spring, Valve | 2 |
| 72 | 23.040010.00 | Bolt, Rocker Arm | 2 |
| 73 | 45.040001.00 | Retainer, Intake Valve Spring | 1 |
| 74 | 45.040007.00 | Retainer, Exhaust Valve Spring | 1 |
| 75 | 45.040008.00 | Rotator, Exhaust Valve | 1 |
| 76 | 46.040004.00 | Guide Plate, Push Rod | 1 |

| # | Part Number | Description | Qty. |
|-----|-----------------|-----------------------------|------|
| 77 | 46.040016.00 | Shaft, Rocker Arm | 1 |
| 78 | 46.040201.00 | Retainer, Rocker Arm | 1 |
| 79 | 46.040009.00 | Rocker Arm, Intake Valve | 1 |
| 80 | 46.040018.00 | Rocker Arm, Exhaust Valve | 1 |
| 81 | 1.97.1.06 | Washer Ø6 | 2 |
| 82 | 22.040012.00 | Screw, Valve Adjustment | 2 |
| 83 | 1.6177.1.06 | Flange Nut M6 | 2 |
| 84 | 21.040021.00 | Nut M6 × 0.5, Lock | 2 |
| 85 | 2.01.008 | Stud Bolt M6 × M8 × 105 | 2 |
| 86 | 46.130002.20 | Gasket, Insulator | 1 |
| 87 | 45.130001.00 | Insulator, Carburetor | 1 |
| 88 | 46.130003.20 | Gasket, Carburetor | 1 |
| 89 | 46.131000.28 | Carburetor | 1 |
| 90 | 46.130004.20 | Gasket, Air Cleaner | 1 |
| 91 | 1.6177.06 | Flange Nut M6 | 3 |
| 92 | 46.091100.03 | Base, Air Cleaner | 1 |
| 93 | 45.091002.20 | Seal, Air Cleaner | 1 |
| 94 | 45.091001.20 | Separator, Air Cleaner | 1 |
| 95 | 45.091003.20 | Element, Air Cleaner | 1 |
| 96 | 46.091200.04 | Cover, Air Cleaner | 1 |
| 97 | 46.091000.03.2 | Air Cleaner Assembly, Black | 1 |
| 98 | 46.061000.00 | Recoil Assembly | 1 |
| 99 | 46.131017.20 | Main Jet, Standard | 1 |
| | 46.131017.20.01 | Main Jet, Altitude | / |
| 100 | 45.110007.01 | Spring, Governor | 1 |
| 101 | 46.080300.20 | Air Guide, Upper | 1 |
| 102 | 45.110001.00 | Shaft, Governor Arm | 1 |
| 103 | 2.03.019 | Washer Ø8.2 × Ø17 × 0.8 | 1 |
| 104 | 2.11.006 | Oil Seal Ø7 × Ø14 × 5 | 1 |
| 105 | 45.110008.00 | Pin, Shaft | 1 |
| 106 | 45.110003.01 | Arm, Governor | 1 |
| 107 | 2.08.040 | Bolt M6x21, Governor Arm | 1 |
| 108 | 45.110006.00 | Rod, Governor | 1 |
| 109 | 45.110005.00 | Spring, Throttle Return | 1 |
| 110 | 46.040200.00 | Rocker Arm Assembly | 1 |

Wiring Diagram



TROUBLESHOOTING

| Problem | Cause | Solution | |
|--|---|---|---|
| Engine will not start. | No fuel. | Add fuel. | |
| | Faulty spark plug. | Clean and adjust spark plug or replace. | |
| | Low oil level. | | Fill crankcase to the proper level. |
| | | | Place generator on a flat, level surface. |
| | Spark plug wire loose. | Attach wire to spark plug. | |
| | Fuel valve is closed. | Open fuel valve. | |
| | Engine switch OFF. | Press Engine ON. | |
| | Old fuel or water in fuel. | Drain fuel and replace with fresh fuel. | |
| Flooded with fuel. | Let unit stand for 10 mins. | | |
| Engine starts but runs roughly. | Choke in the wrong position. | Move choke until it stops under RUN position or push in completely. | |
| | Dirty air filter. | Clean or replace air filter. | |
| | Dirty fuel valve. | Clean the fuel valve. | |
| | Clogged spark arrestor. | Clean spark arrestor. | |
| Engine shuts down during operation. | Out of fuel. | Fill fuel tank. | |
| | Low oil level. | Fill crankcase to the proper level. Place generator on a flat, level surface. | |
| | If equipped, CO Shield™ shutoff due to accumulating carbon monoxide if the red LED light blinks on the panel. | Move generator to an open, outdoor area. Point exhaust away from living area. People to move to fresh air and get medical help if sick, dizzy, or weak. | |
| | If equipped, CO Shield™ shutoff due system fault if the yellow LED light blinks on the panel. | Start to confirm yellow LED light blinks when/if generator shuts off. If CO Shield continues sense the fault and shuts off, contact technical support. | |
| | Clogged spark arrestor. | Clean spark arrestor. | |
| Engine starts and shuts off right away | If equipped, CO Shield™ shutoff due to accumulating carbon monoxide if the red LED light blinks on the panel. | Move generator to an open, outdoor area. Point exhaust away from people and buildings. Move to fresh air and get medical help if sick, dizzy, or weak. | |
| | If equipped, CO Shield™ shutoff due system fault if the yellow LED light blinks on the panel. | Start to confirm yellow LED light blinks when/if generator shuts off. If CO Shield continues sense the fault and shuts off, contact technical support. | |
| Generator cannot supply enough power or overheating. | Generator is overloaded. | Review load and adjust. See "Connecting Electrical Loads." | |
| | Dirty air filter. | Clean or replace air filter. | |
| | Choke in wrong position. | Move choke until it stops under RUN position or push in completely. | |

| Problem | Cause | Solution |
|-------------------------------------|---------------------------------------|---|
| Engine is running but no AC output. | Poor cord connection. | Check all connections. |
| | Circuit breaker is open. | Reset circuit breaker. |
| | Faulty brush assembly. | Replace brush assembly (Service Center). |
| | Faulty AVR (auto voltage regulator). | Replace AVR (Service Center). |
| | Loose wiring. | Inspect and tighten wiring connections. |
| | GFCI tripped. | Reset GFCI receptacle breakers by pushing the TEST and RESET buttons until green LED illuminates. |
| | Other. | Contact the help line. |
| Engine hunts or falters. | Engine governor defective. | Contact the help line. |
| | Dirty fuel valve. | Clean the fuel valve. |
| | Carburetor is dirty and running lean. | Contact the help line. |
| | Choke in wrong position. | Move choke until it stops under RUN position or push in completely. |
| Engine will not stop. | Propane valve is still open. | Turn propane tank to the CLOSED position. |
| Repeated circuit breaker tripping. | Overload. | Review load and adjust. See "Connecting Electrical Loads." |
| | Faulty power cords or device. | Check for damaged, bare or frayed wires. Replace defective device. |
| | Circuit breaker still too hot. | Let unit sit for 5 mins. |

For other issues and technical support:

Technical Support Team
 Mon-Fri 8:30 AM-5:00 PM (PST/PDT)
 Toll Free 1-877-338-0999
 support@championpowerequipment.com

WARRANTY*

CHAMPION POWER EQUIPMENT
3 YEAR LIMITED WARRANTY

Warranty Qualifications

To register your product for warranty and FREE lifetime call center technical support please visit:

<https://www.championpowerequipment.com/register>

To complete registration you will need to include a copy of the purchase receipt as proof of original purchase. Proof of purchase is required for warranty service. Please register within ten (10) days from date of purchase.

Repair/Replacement Warranty

CPE warrants to the original purchaser that the mechanical and electrical components will be free of defects in material and workmanship for a period of three years (parts and labor) from the original date of purchase and 270 days (parts and labor) for commercial and industrial use. Transportation charges on product submitted for repair or replacement under this warranty are the sole responsibility of the purchaser. This warranty only applies to the original purchaser and is not transferable.

Do Not Return The Unit To The Place Of Purchase

Contact CPE's Technical Service and CPE will troubleshoot any issue via phone or e-mail. If the problem is not corrected by this method, CPE will, at its option, authorize evaluation, repair or replacement of the defective part or component at a CPE Service Center. CPE will provide you with a case number for warranty service. Please keep it for future reference. Repairs or replacements without prior authorization, or at an unauthorized repair facility, will not be covered by this warranty.

Warranty Exclusions

This warranty does not cover the following repairs and equipment:

Normal Wear

Products with mechanical and electrical components need periodic parts and service to perform well. This warranty does not cover repair when normal use has exhausted the life of a part or the equipment as a whole.

Installation, Use and Maintenance

This warranty will not apply to parts and/or labor if the product is deemed to have been misused, neglected, involved in an accident, abused, loaded beyond the product's limits, modified, installed improperly or connected incorrectly to any electrical component. Normal maintenance is not covered by this warranty and is not required to be performed at a facility or by a person authorized by CPE.

Other Exclusions

This warranty excludes:

- Cosmetic defects such as paint, decals, etc.
- Wear items such as filter elements, o-rings, etc.
- Accessory parts such as starting batteries, and storage covers.
- Failures due to acts of God and other force majeure events beyond the manufacturer's control.
- Problems caused by parts that are not original Champion Power Equipment parts.

When applicable, this warranty does not apply to products used for prime power in place of a utility.

Limits of Implied Warranty and Consequential Damage

Champion Power Equipment disclaims any obligation to cover any loss of time, use of this product, freight, or any incidental or consequential claim by anyone from using this product. THIS WARRANTY AND THE ATTACHED U.S. EPA, CARB and/or ECCC EMISSION CONTROL SYSTEM WARRANTIES (WHEN APPLICABLE) ARE IN LIEU OF ALL OTHER WARRANTIES, EXPRESS OR IMPLIED, INCLUDING WARRANTIES OF MERCHANTABILITY OR FITNESS FOR A PARTICULAR PURPOSE.

A unit provided as an exchange will be subject to the warranty of the original unit. The length of the warranty governing the exchanged unit will remain calculated by reference to the purchase date of the original unit.

This warranty gives you certain legal rights which may change from state to state or province to province. Your state or province may also have other rights you may be entitled to that are not listed within this warranty.

Contact Information

Address

Champion Power Equipment, Inc.
12039 Smith Ave.
Santa Fe Springs, CA 90670 USA
www.championpowerequipment.com

Customer Service

Mon – Fri 8:30 AM – 5:00 PM (PST/PDT)
Toll Free: 1-877-338-0999
info@championpowerequipment.com
Fax no.: 1-562-236-9429

Technical Service

Mon – Fri 8:30 AM – 5:00 PM (PST/PDT)
Toll Free: 1-877-338-0999
tech@championpowerequipment.com
24/7 Tech Support: 1-562-204-1188

*Except as otherwise stipulated in any of the following enclosed Emission Control System Warranties (when applicable) for the Emission Control System: U.S. Environment Protection Agency (EPA), California Air Resources Board (CARB) and/or Environment and Climate Change Canada (ECCC). Whichever warranty applies for the longer period, either this 3 year limited warranty or the applicable Emission Control System Warranty, shall supersede the other.

CHAMPION POWER EQUIPMENT, INC. (CPE), THE UNITED STATES ENVIRONMENT PROTECTION AGENCY (U.S. EPA.) AND THE CALIFORNIA AIR RESOURCES BOARD (CARB) EMISSION CONTROL SYSTEM WARRANTY

Your Champion Power Equipment (CPE) engine complies with both the U.S. EPA and state of California Air Resources Board (CARB) emission regulations.

Your Warranty Rights And Obligations:

The US EPA, California Air Resources Board, and CPE are pleased to explain the Federal and California Emission Control Systems Warranty on your 2018 small off-road engine (SORE) and engine powered equipment. In California, new, small off-road engines (SORE) and new equipment that use small off-road engines (SORE) must be designed, built and equipped to meet the State's stringent anti smog standards. In the other states, new engines and equipment must be designed, built and equipped, at the time of sale, to meet U.S. EPA regulations for small off-road engines (SORE). CPE warrants the emission control system on your small off-road engine (SORE) and equipment for the period of time listed below, provided there has been no abuse, neglect, unapproved modification, or improper maintenance of your equipment.

Your emission control system may include parts such as the carburetor, fuel-injection system, the ignition system, catalytic converter and fuel lines. Also included may be hoses, belts, connectors and other emission related assemblies. Where a warrantable condition exists, CPE will repair your small off-road engine (SORE) at no cost to you including diagnosis, parts and labor. For engines less than or equal to 80cc, only the fuel tank and fuel line is subject to the evaporative emission control warranty requirements of this section.

Manufacturer's Emission Control System Warranty Coverage:

This emission control system is warranted for two years, subject to provisions set forth below. If, during the warranty period, emission related part on your engine is defective in materials or workmanship, the part will be repaired or replaced by CPE.

Owner Warranty Responsibilities:

As the small off-road engine (SORE) owner, you are responsible for the performance of the required maintenance listed in your Owner's Manual. CPE recommends that you retain all your receipts covering maintenance on your small off-road engine (SORE), but CPE cannot deny warranty solely for the lack of receipts or for your failure to ensure the performance of all scheduled maintenance.

As the small off-road engine (SORE) owner, you should however be aware that CPE may deny you warranty coverage if your small, off-road engine (SORE) or a part has failed due to abuse, neglect, improper maintenance or unapproved modifications.

You are responsible for presenting your small off-road engine to an Authorized CPE service outlet or alternate service outlet as described in (3)(f.) below, CPE dealer or CPE, Santa Fe Springs, Ca. as soon as a problem exists. The warranty repairs should be completed in a reasonable amount of time, not to exceed 30 days.

If you have any questions regarding your warranty rights and responsibilities, you should contact:

Champion Power Equipment, Inc.
Customer Service
12039 Smith Ave.
Santa Fe Springs, CA 90670
1-877-338-0999
tech@championpowerequipment.com

Emission Control System Warranty

The following are specific provisions relative to your Emission Control System (ECS) Warranty Coverage.

- 1. APPLICABILITY:** This warranty shall apply to 1995 and later model year California small off-road engines (SORE) (for other states, 1997 and later model year engines). The ECS Warranty Period shall begin on the date the new engine or equipment is delivered to its original, end-use purchaser, and shall continue for 24 consecutive months thereafter.
- 2. GENERAL EMISSIONS WARRANTY COVERAGE**

CPE warrants to the original, end-use purchaser of the new engine or equipment and to each subsequent purchaser that each of its small off-road engines (SORE) is:

 - 2a. Designed, built and equipped so as to conform to U.S. EPA emissions standards for spark-ignited engines at or below 19 kilowatts and all applicable regulations adopted by the California Air Resources Board, and
 - 2b. Free from defects in materials and workmanship that cause the failure of a warranted part to be identical in all material respects to the part as described in the engine manufacturer's application for certification for a period of two years.
- 3. THE WARRANTY ON EMISSION-RELATED PARTS WILL BE INTERPRETED AS FOLLOWS:**
 - 3a. Any warranted part that is not scheduled for replacement as required maintenance in the Owners Manual shall be warranted for the ECS Warranty Period. If any such part fails during the ECS Warranty Period, it shall be repaired or replaced by CPE according to Subsection "d" below. Any such part repaired or replaced under the ECS Warranty shall be warranted for any remainder of the ECS Warranty Period.
 - 3b. Any warranted, emissions-related part which is scheduled only for regular inspection as specified in the Owners Manual shall be warranted for the ECS Warranty Period. A statement in such written instructions to the effect of "repair or replace as necessary", shall not reduce the ECS Warranty Period. Any such part repaired or replaced under the ECS Warranty shall be warranted for the remainder of the ECS Warranty Period.
 - 3c. Any warranted, emissions-related part which is scheduled for replacement as required maintenance in the Owner's Manual shall be warranted for the period of time prior to the first scheduled replacement point for that part. If the part fails prior to the first scheduled replacement, the part shall be repaired or replaced by CPE according to Subsection "d" below. Any such emissions-related part repaired or replaced under the ECS Warranty, shall be warranted for the remainder of the ECS Warranty Period prior to the first scheduled replacement point for such emissions-related part.
 - 3d. Repair or replacement of any warranted, emissions-related part under this ECS Warranty shall be performed at no charge to the owner at a CPE Authorized Service Outlet.
 - 3e. The owner shall not be charged for diagnostic labor which leads to the determination that a part covered by the ECS Warranty is in fact defective, provided that such diagnostic work is performed at a CPE Authorized Service Outlet.
 - 3f. CPE shall pay for covered emissions warranty repairs at non-authorized service outlets under the following circumstances:
 - i. The service is required in a population center with a population over 100,000 according to U.S. Census 2000 without a CPE Authorized Service Outlet AND
 - ii. The service is required more than 100 miles from a CPE Authorized Service Outlet. The 100 mile limitation does not apply in the following states: Alaska, Arizona, Colorado, Hawaii, Idaho, Montana, Nebraska, Nevada, New Mexico, Oregon, Texas, Utah and Wyoming.
 - 3g. CPE shall be liable for damages to other original engine components or approved modifications proximately caused by a failure under warranty of an emission-related part covered by the ECS Warranty.
 - 3h. Throughout the ECS Warranty Period, CPE shall maintain a supply of warranted emission-related parts sufficient to meet the expected demand for such emission-related parts.
 - 3i. Any CPE Authorized and approved emission-related replacement part may be used in the performance of any ECS Warranty maintenance or repair and will be provided without charge to the owner. Such use shall not reduce CPE's warranty obligation.
 - 3j. Unapproved add-on or modified parts may not be used to modify or repair a CPE engine. Such use voids this ECS Warranty and shall be sufficient grounds for disallowing an ECS Warranty claim. CPE shall not be liable hereunder for failures of any warranted parts of a CPE engine caused by the use of such an unapproved add-on or modified part.

Emission-Related Parts Include The Following: (using those portions of the list applicable to the engine)

| Systems covered by this warranty | Parts Description |
|---|---|
| Fuel Metering System | Fuel regulator, Carburetor and internal parts |
| Air Induction System | Air cleaner, Intake manifold |
| Ignition System | Spark plug and parts, Magneto ignition system |
| Exhaust System | Exhaust manifold, catalytic converter |
| Miscellaneous Parts | Tubing, Fittings, Seals, Gaskets, and Clamps associated with these listed systems. |
| Evaporative Emissions | Fuel Tank, Fuel Cap, Fuel Line (for liquid fuel and fuel vapors), Fuel Line Fittings, Clamps, Pressure Relief Valves, Control Valves, Control Solenoids, Electronic Controls, Vacuum Control Diaphragms, Control Cables, Control Linkages, Purge Valves, Gaskets, Vapor Hoses, Liquid/Vapor Separator, Carbon Canister, Canister Mounting Brackets, Carburetor Purge Port Connector |

To Obtain Warranty Service:

You must take your CPE engine or the product on which it is installed, along with your warranty registration card or other proof of original purchase date, at your expense, to any Champion Power Equipment dealer who is authorized by Champion Power Equipment, Inc. to sell and service that CPE product during his normal business hours. Alternate service locations defined in Section (3)(f.) above must be approved by CPE prior to service. Claims for repair or adjustment found to be caused solely by defects in material or workmanship will not be denied because the engine was not properly maintained and used.

If you have any questions regarding your warranty rights and responsibilities, or to obtain warranty service, please write or call Customer Service at Champion Power Equipment, Inc.

Champion Power Equipment, Inc.
12039 Smith Ave.
Santa Fe Springs, CA 90670
1-877-338-0999
Attn.: Customer Service
tech@championpowerequipment.com