



# LSE4611\*

## Quick Install & Clearances

For full installation directions/clearances please refer to the corresponding User Manual and Installation Guide.

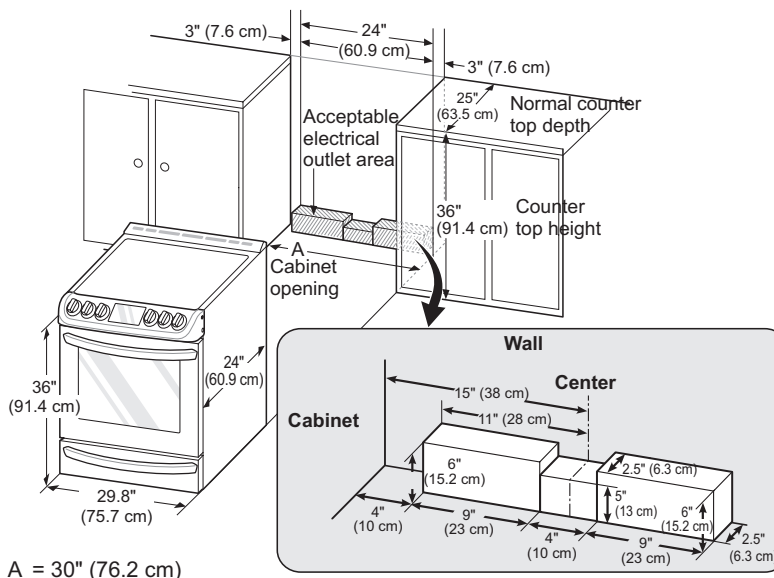
Please read the installation instructions first after purchasing this product or transporting it to another location.

DIMENSIONS/CLEARANCES/WEIGHT	
Shipping Weight	188 lbs.
Product Weight	164 lbs.
Cabinet Width (in)	30"
Overall Depth (in) - including handle	28-15/16"
Overall Height (in) - including backguard	37-59/64"
Overall Width (in)	29-15/16"
Oven Interior Dimensions (in) (W x H x D)	24-13/16" x 21-5/16" x 19-3/4"
Height to Cooking Surface (in)	36"
Storage Drawer Dimensions (in) (W x H x D)	22-3/16" x 4-1/2" x 16-3/8"
Carton Dimensions (in) (W x H x D)	31-31/32" x 51" x 30-17/32"

POWER/RATINGS	
Amp Rating at 208V	40A
Amp Rating at 240V	40A
KW Rating at 208V	9.5kW
KW Rating at 240V	12.6kW

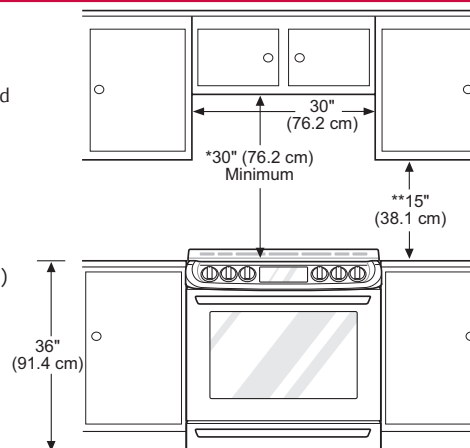


### DIMENSIONS AND CLEARANCES



### MINIMUM DIMENSIONS

- \* 30" (76.2 cm) minimum clearance between the top of the cooking surface and the bottom of an unprotected wood or metal cabinet; or 24" (60.9 cm) minimum when bottom of wood or metal cabinet is protected by not less than 1/4" (6.4 cm) flame retardant millboard covered with not less than no. 28 MSG sheet steel, 0.015" (0.381 mm) stainless steel, 0.024" (0.610 mm) aluminum or 0.020" (0.508mm) copper.
- \*\* 15" (38.1 cm) minimum between countertop and adjacent cabinet bottom.



### ELECTRICAL REQUIREMENTS

This appliance must be installed and grounded on a branch circuit by a qualified technician in accordance with the National Electrical code ANSI/NFPA NO. 70 - latest edition.

All wiring should conform to Local and NEC codes. This range requires a single-phase, 3 wire, A.C 120/208 V or 120/240 V 60 Hz electrical system. Use only a 3-conductor or a 4-conductor UL - listed range cord with closed-loop terminals, open-end spade lugs with upturned ends or similar termination. Do not install the power cord without a strain relief.

A range cord rated at 40 amps with 120/240 minimum volt range is required. If a 50 amp range cord is used, it should be marked for use with 13/8" diameter connection openings. This appliance may be connected by means of a conduit or power cord. If a conduit is being used, check the Owners Manual for 3 wire conduit connections or 4 wire conduit connections.

Specified power-supply-cord kit rating				
Range rating, watts		Specified rating of power supply-cord kit, amperes	Diameter (inches) of Range connection Opening	
120/240 volts	120/208 volts		Power cord	Conduit
3-wire	3-wire	40 or 50A	1 3/8"	1 1/8"
8,750 - 16,500	7,801 - 12,500			
16,501 - 22,500	12,501 - 18,500	50	1 3/4"	1 3/8"



**4 Wire receptacle (14-50R)**



**3 Wire receptacle (10-50R)**

### Warning

- Allow 2 to 3 ft (61.0 cm to 91.4 cm) of slack in the line so that the range can be moved if servicing is ever necessary.
- The power supply cord and plug should not be modified. If it will not fit the outlet, have a proper outlet installed by a qualified electrician.
- Using an extension cord to connect the power is prohibited. Connect the power cord and plug directly.
- Electrical ground is required on this appliance.
- Make sure that the power cord is not pinched by the range or heavy objects. Failure to do so can result in serious burns or electrical shock.