

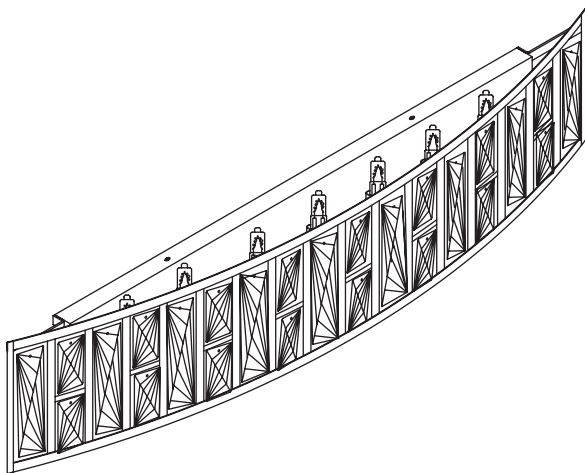
HOME
DECORATORS
COLLECTION

Item #1001 xxx xxx

Model #34980-HB

USE AND CARE GUIDE

7-LIGHT VANITY



Questions, problems, missing parts? Before returning to the store,
call Home Decorators Collection Customer Service
8 a.m. - 7 p.m., EST, Monday - Friday, 9 a.m. - 6 p.m., EST, Saturday

1-800-986-3460

WWW.HOMEDEPOT.COM/HOMEDECORATORS

THANK YOU

We appreciate the trust and confidence you have placed in Home Decorators Collection through the purchase of this 7-light vanity. We strive to continually create quality products designed to enhance your home. Visit us online to see our full line of products available for your home improvement needs. Thank you for choosing Home Decorators Collection!

Table of Contents

Table of Contents.....	2	Hardware Included.....	3
Safety Information.....	2	Package Contents.....	4
Warranty.....	2	Installation.....	5
Pre-Installation.....	3	Care and Cleaning	7
Planning Installation.....	3	Troubleshooting.....	7
Tools Required.....	3		

Safety Information

- Read all instructions before assembling and installing.
- Consult a qualified electrician for installation of this fixture.
- If you have any non-electrical questions about this fixture, please contact our Customer Service Team at 1-800-986-3460 or visit www.homedepot.com/homedecorators. Please reference your SKU 1001 xxx xxx or UPC 773546xxxxxx.
- Keep your receipt and these instructions for proof of purchase.



DANGER: Risk of electrical shock. Disconnect power before installation.



IMPORTANT: Inspect the wire insulation for any cuts, abrasions, or exposed copper that have occurred during shipping. If there is a defect in the wire, do not continue the installation process. Please call our Customer Service Team at 1-800-986-3460.

Warranty

LIMITED WARRANTY

WHAT IS COVERED

The manufacturer warrants this lighting fixture to be free from defects in materials and workmanship for a period of five (5) years from date of purchase. This warranty applies only to the original consumer purchaser and only to products used in normal use and service. If this product is found to be defective, the manufacturer's only obligation, and your exclusive remedy, is the repair or replacement of the product at the manufacturer's discretion, provided that the product has not been damaged through misuse, abuse, accident, modification, alteration, neglect, or mishandling.

WHAT IS NOT COVERED

This warranty shall not apply to any product that is found to have been improperly installed, set-up, or used in any way not in accordance with the instructions supplied with the product. This warranty shall not apply to a failure of the product as a result of an accident, misuse, abuse, negligence, alteration, faulty installation, or any other failure not relating to faulty material or workmanship. This warranty shall not apply to the finish on any portion of the product, such as surface and/or weathering, as this is considered normal wear and tear. The manufacturer does not warrant and specially disclaims any warranty, whether express or implied, of fitness for a particular purpose, other than the warranty contained herein. The manufacturer specifically disclaims any liability and shall not be liable for any consequential or incidental loss or damage, including but not limited to any labor/expense costs involved in the replacement or repair of said product.

Contact Customer Care at 1-800-986-3460 or visit www.homedepot.com/homedecorators.

Pre-Installation

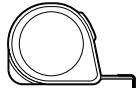
PLANNING INSTALLATION

Read all instructions before assembly and installation. To avoid damaging this product, assemble it on a soft, non-abrasive surface, such as carpet or cardboard. Inspect each part for defects that may have occurred during shipping. Keep your receipt and these instructions for proof of purchase.

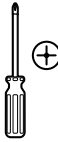
TOOLS REQUIRED



Safety goggles



Measuring tape



Phillips screwdriver



Flathead screwdriver



Wire strippers



Wire cutters



Ladder



Electrical tape

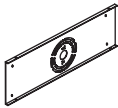
HARDWARE INCLUDED



NOTE: Hardware not shown to actual size.



AA



BB



CC



DD



EE



FF

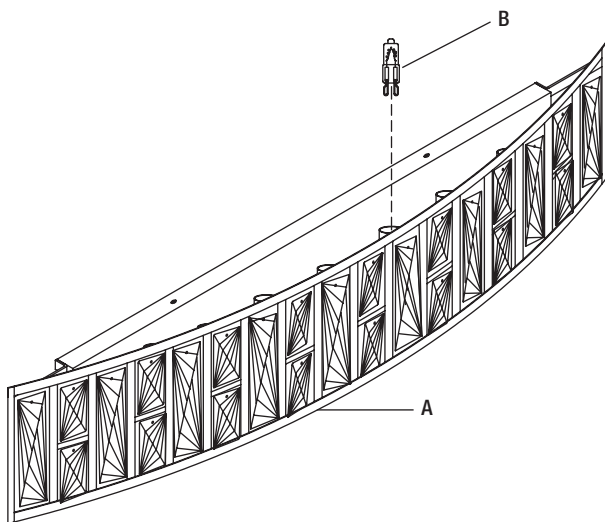


GG

Part	Description	Quantity
AA	Wire nut	3
BB	Mounting plate	1
CC	Outlet box screw	2
DD	Mounting screw	4
EE	Green ground screw	1
FF	Wood screw	4
GG	Anchor	4

Pre-Installation (continued)

PACKAGE CONTENTS

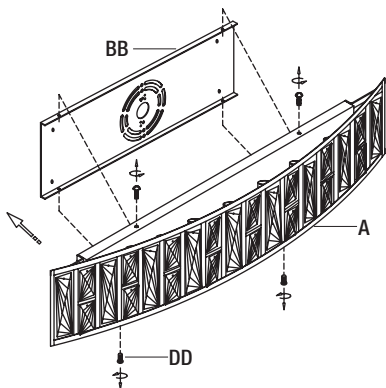


Part	Description	Quantity
A	Lamp body	1
B	G9 60W bulb	7

Installation

1 Removing the mounting plate

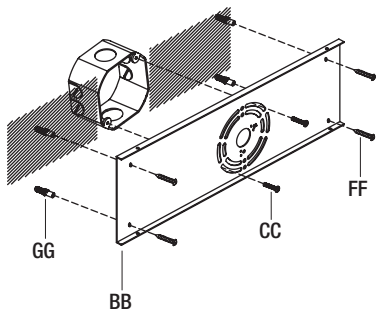
- Unlock the mounting screws (DD) from the mounting plate (BB), and remove the mounting plate (BB) from the lamp body (A).



2 Installing the mounting plate

WARNING: Turn the power off at the main fuse box before installation.

- Attach the mounting plate (BB) to the junction box (not included) with the two outlet box screws (CC) provided.
- Determine the position for the mounting plate (BB) and mark the four location holes.
- Drill a 1/4 in. hole at each marked position, and insert an anchor (GG) into each hole.
- Secure the mounting plate (BB) to the anchors (GG) with the wood screws (FF).

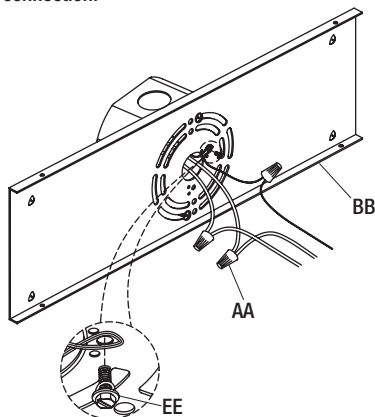


3 Making the electrical connections

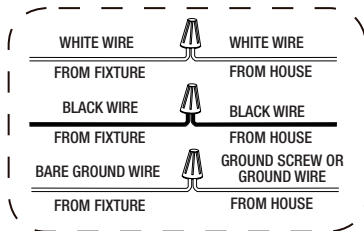


NOTE: Always use wire nuts (AA) or marrettes (included) to connect wires and push all excess wires and connections back into the junction box.

- Connect the ground wire from the branch circuit to the green ground screw (EE) on the mounting plate (BB) and add 6 in. for the ground connection.



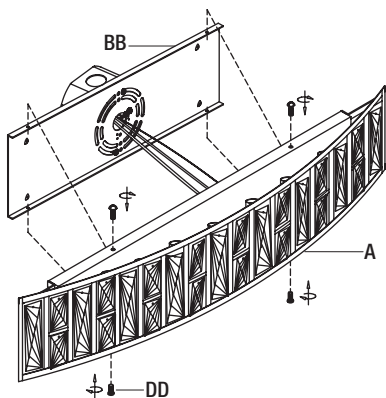
- Connect the fixture wires as follows:



Installation (continued)

4 Installing the lamp body

- Attach the lamp body (A) to the mounting plate (BB) by aligning the holes on the lamp body (A) with those on the side of the mounting plate (BB) and secure with the mounting screws (DD).

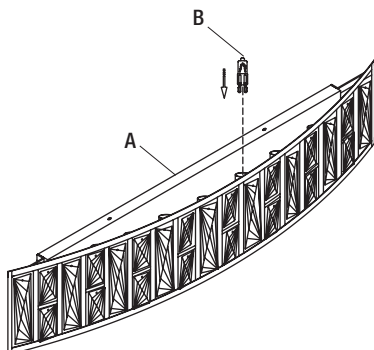


5 Installing the bulbs



CAUTION: Oil from fingers will decrease the life of the 60W max G9 bulbs (included).

- With a tissue or glove (not included), install 60W max G9 bulbs (B) into each socket of the lamp body (A).



Care and Cleaning

- Clean the light fixture carefully with a soft, dry cloth. Do not use any cleaner with chemicals, solvents, or harsh abrasives.

Troubleshooting

Problem	Possible Cause	Solution
□ The bulb will not light.	□ The bulb is burned out.	□ Replace the light bulb.
	□ The power is off.	□ Ensure that the power supply is turned on.
	□ The circuit breaker is off.	□ Ensure that the circuit breaker is set to the ON position.
□ The fuse blows or the circuit breaker trips when the light is turned on.	□ There are too many items on one circuit.	□ Unplug the other items on the circuit. □ Contact a qualified electrician or call the Customer Service Team at 1-800-986-3460.

HOME DECORATORS COLLECTION

Questions, problems, missing parts? Before returning to the store,
call Home Decorators Collection Customer Service
8 a.m. - 7 p.m., EST, Monday-Friday, 9 a.m. - 6 p.m., EST, Saturday

1-800-986-3460

WWW.HOMEDEPOT.COM/HOMEDECORATORS

Retain this manual for future use.