

HARTFORD 6036

DESIGNER COLLECTION

H | S

PVC SYSTEMS INCLUDE:

- 6 Fully directional adjustable PVC jets
- Anti-vortex safety suction
- Color matched system trim
- HydroOzone ozone sanitation system
- Rigid PVC piping
- Self draining pump and system
- Soft Touch electronic on/off control with 30-minute integral times
- 2.25 HP single speed pump
- Cable waste and overflow
- Requires 20 Amp Dedicated GFCI (standard whirlpool only)



The gracious comfort of the Hartford features built in armrests and headrest, with the soft oval contours making a sophisticated design statement in any bathroom. Visit <http://www.hydrosystem.com> for more details on our options and accessories.

HARTFORD 6036

H | S

DESIGNER COLLECTION

As SHOWN:

Whirlpool option with standard jet location

FEATURES SHOWN:

- Jets
- Overflow / Drain location

ALSO AVAILABLE:

- Soaking tub only
- Whirlpool
- Thermal Air
- Combo

SIZE:

60.36.22

WATER CAPACITY:

40 Gallons

WEIGHT:

55-135 Pounds

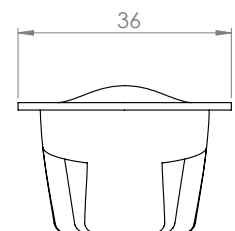
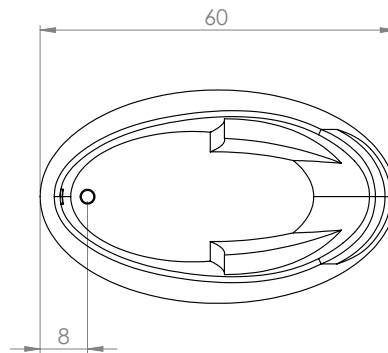
MODEL 6036 DIMENSIONS:

- (L)ength- 60"
- (W)idth- 36"
- (H)eight Finish- 22"



ACRYLIC TUB

- Acrylic models finished in 1/8" thick layer of deep lustrous acrylic
- Extra thick reinforced fiberglass
- Pre-wired pump on pump platform (standard pump location only)
- Integral E-Z level platform facilitates installation
- Tub must be set in mortar base



CODES AND COMPLIANCES

Massachusetts code File no: P1-0614-491



HYDRO SYSTEMS
Family Owned And Operated Since 1978

29132 Avenue Paine. Valencia, CA, 91355
661.775.0686 | hydrosystem.com

All specifications and options subject to change without notice please contact a Hydro Systems representative for more information. Certain options or altering the pump/blower location may cause the pump/blower to extend beyond the tub decking. For cutout dimensions wait for unit to arrive. All specifications subject to change without notice.