

Your Berkey® Water Purifier

This booklet contains important information. Please do not discard.



WARNING: Read all instructions supplied by the manufacturer prior to assembling and using your Berkey water filter. This booklet is a supplemental document only and is not meant to replace the manufacturer's instructions.

Copyright © 2018 James Enterprise Inc. All rights reserved. No part of this booklet, including the interior and cover design, may be reproduced or transmitted in any form, by any means (electronic, photocopying, recording, or otherwise) without the prior written permission of the publisher.

Version 3: March 2018

Table of Contents

Assembly Instructions.....1-5

Black Berkey® Purification Elements

Priming Tips..... 6
Troubleshooting..... 8
Storing the Elements..... 8
Testing the Elements..... 9
Other Tips..... 9

PF-2 Fluoride and Arsenic Reduction Elements

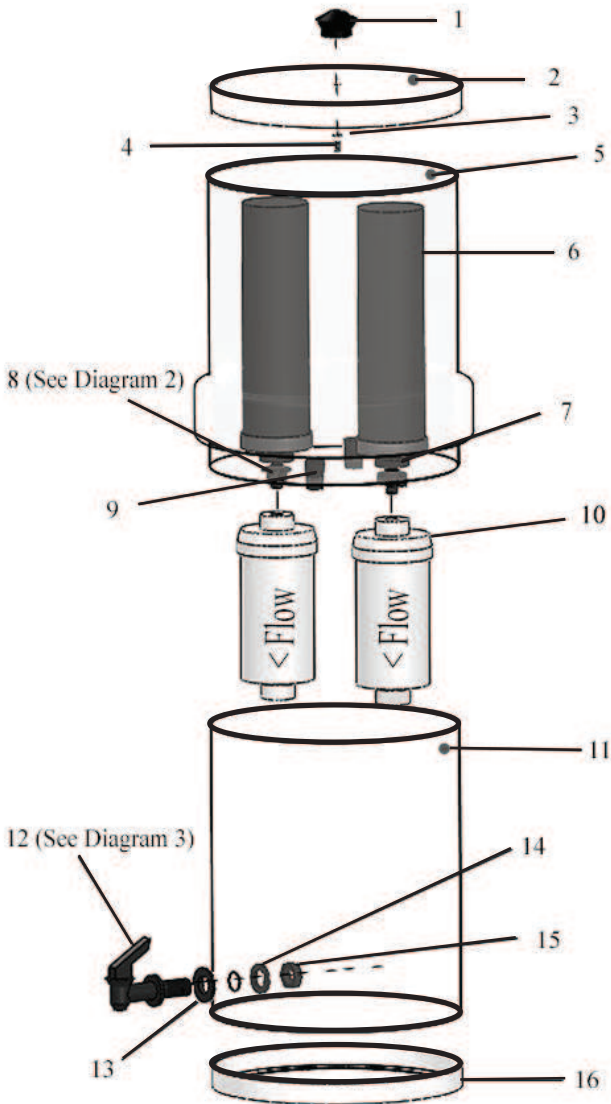
Priming Tips..... 10
Installation Tips..... 11
Troubleshooting..... 11
Storing the Elements..... 12

Additional Information

Routine Cleaning and Maintenance..... 12-13
Frequently Asked Questions (FAQS)..... 13-14
Guarantee/Warranty..... 14-16
Returning Your Berkey Water Filter System..... 17-18
Parts and Accessories..... 19-22
Contact Information..... 23

Assembly Instructions

Diagram 1



Berkey Light Model Variation: The Berkey® Light includes the Fabric Lid, Elevated Base (LED Lighted Base is optional), and its own spigot. See the table on page 4 for spigot assembly instructions.

Diagram 2

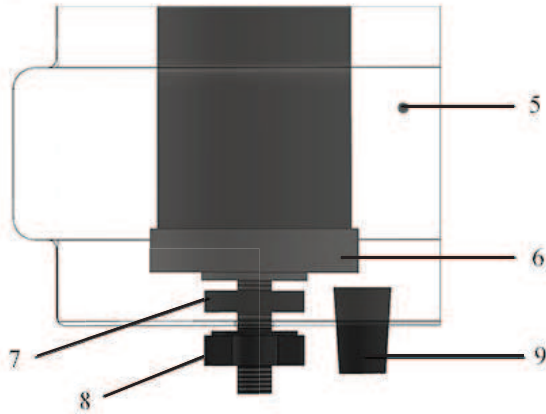
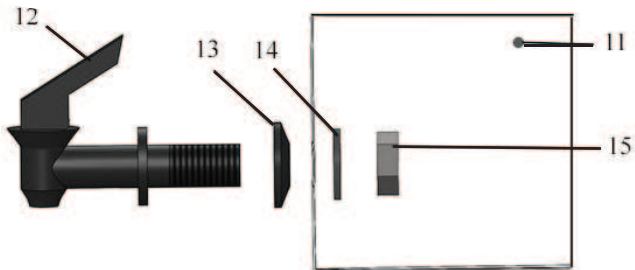


Diagram 3



- | | |
|---------------------------|--------------------------------------|
| 1. Lid Knob | 10. PF-2 Fluoride Element (optional) |
| 2. Lid | 11. Lower Chamber |
| 3. Knob Washer | 12. Spigot |
| 4. Knob Screw | 13. Spigot Washer (beveled)** |
| 5. Upper Chamber | 14. Spigot Washer (flat)** |
| 6. Black Berkey® Elements | 15. Spigot Hex Nut |
| 7. Element Washer | 16. Rubber Base Ring |
| 8. Element Wing Nut | |
| 9. Hole Plug* | |

Dotted line indicates assembly direction

*Hole plugs are not included with the Travel Berkey, as they are not needed.
 **Factory issued spigot washers that are included with all stainless steel systems.

*****If at any time you experience an issue with your system leaking water, discontinue use, empty the water from both the upper and lower chambers, and contact Customer Service. *****

Note: *If you intend on storing your Berkey® system for any length of time instead of using it immediately, test the Black® Berkey Elements prior to storing them. See “Storing the Black Berkey® Purification Elements” on page 8 as well as “Testing the Black Berkey® Purification Elements” on page 9 for more information.*

Extreme cleanliness is important. To ensure that contamination of the components does not take place during assembly, wash hands and components (but not the elements) before proceeding.

Step 1—Lid Assembly:

- A. Remove the knob washer (3) and knob screw (4) from inside the lid knob (1).
- B. Fit the knob onto the lid (2) by inserting the knob screw (4), with the knob washer (3), up through the hole in the lid and screwing on the knob. (*Hand tighten only*)

Step 2—Spigot/ Lower Chamber Assembly:

Note: *Washers vary with spigot type. See the table on page 4 for the factory issued spigots that are included with the stainless steel systems and the Berkey® Light system. Upgraded spigots, like the Water View Spigot and the Stainless Steel Spigot, will have their own assembly instructions.*

- A. Place the outer washer (13) onto the threaded stem of the spigot (12). The beveled side of the washer should face the lower chamber.
- B. Insert stem of the spigot (12) through the hole in the side of the lower chamber (11).
- C. Place the inner washer (14) onto the stem of the spigot within the chamber.
- D. Position the spigot upside down with the outlet facing up.
- E. Thread the hex nut (15) onto the stem of the spigot and tighten securely by hand. Do not use a wrench or other tool to tighten the hex nut as this may damage the nut or chamber.

- F. While holding the hex nut (15) firmly in place, finish tightening by slowly turning the spigot (12) clockwise to the upright position.

Spigot Type	Outer Washer	Inner Washer
Standard Spigot (included with Stainless Steel System)	Beveled Black - Beveled side toward chamber wall	Flat Black
Berkey Light Spigot	Beveled White - Beveled side toward chamber wall	Beveled White - Beveled side toward chamber wall

- Follow the printed instructions provided within element box.
- See also the “Black Berkey® Purification Elements Priming Tips” on page 6 of this booklet.

Note: Save Priming Button (thick brown washer)

- Follow the printed instructions provided with the elements.
- See also the “PF-2 Fluoride and Arsenic Reduction Elements Priming Tips” on page 11 of this booklet.
- If you have not purchased the optional PF-2 Fluoride and Arsenic Reduction Elements, proceed to Step 5.

Note: Save blue caps, as they may be needed later.

- Place an element washer (7) onto the stem of a primed Black Berkey® Element (6).
- Insert the stem of the Black Berkey® Element (6) into a hole within the upper chamber (5).
- Thread the element wing nut (8) onto the stem of the Black Berkey® Element (6) below the upper chamber and tighten securely by hand.
- Repeat steps A - C until all Black Berkey® Elements have been installed.
- Insert the hole plugs (9) into the remaining holes within the upper chamber. **Note:** *The optional hole plug (see “Parts and Accessories” page 19) has two washers and a wing nut.*

To install, place one washer on the threaded hole plug stem. Insert the stem into the upper chamber hole. Place the second washer and then the wing nut onto the hole plug stem below the upper chamber and tighten securely by hand.

- F. Install the primed PF-2 Fluoride and Arsenic Reduction Elements (optional) (10) by screwing them onto the threaded stems of the purification elements, beneath the element wing nuts (8). **Note:** *Do not turn them more than eight revolutions as this can damage the elements. See the instruction sheet provided with the PF-2 elements and also page 12 of this booklet for installation tips.*
- G. Place the upper chamber (5) onto the lower chamber (11) and place the lid (2) in position. **(Berkey® Light model variation:** *The small tabs on the bottom of the upper chamber will fit under the rim of the lower chamber. Often, an audible “snap” is heard when the two chambers are put together.)*

First Time Operation & After Each Re-Priming:

1. Ensure that the spigot (12) is in the closed position.
2. Fill the upper chamber (5) completely with cold or room temperature water and cover with the lid (2).
3. Allow water to filter into the lower chamber (11). A small amount of water may remain in the upper chamber (5) after filtration. Please see the “Frequently Asked Questions” section on page 13 of this booklet for more information.
4. Discard the first batch of filtered water which may contain fine manufacturing dust that was flushed from the inner core of the Black Berkey Elements.
5. Refill the upper chamber. (5)
6. Test your system to ensure it is working properly. See “Testing the Black Berkey Purification Elements” on page 9.
7. Your Berkey system is now ready to use.

Note: *The Black Berkey® Elements may take up to 15 minutes to begin dripping. Maximum flow rate will be achieved after the initial 12-24 hours of use, as micro air pockets within the purification elements are replaced with water.*

Continuous Operation:

- Your system will continue to filter water even when the lower chamber is full. This can cause the system to overflow. It is recommended to empty the lower chamber completely prior to refilling the upper chamber.
- Purified water can remain in the lower chamber for three days. If any water still remains at the end of three days, dispense into a clean secondary container and refrigerate up to four more days.
- If you plan to leave your system unused for more than three days, empty both the upper and lower chambers, remove all filtration elements, and allow the components to dry. The Black Berkey® Elements should be allowed to air dry. See “Storing the Black Berkey® Purification Elements” on page 8 and “Storing the PF-2 Elements” on page 13.

Source Water—General Precautions:

- While this system can effectively purify raw untreated pond, lake, and river water, always use the cleanest, clearest water whenever possible.
- This system is not intended for use with saltwater or softened water.
- If the source water contains large amounts of particulate matter, pre-filter it using material such as a coffee filter or cheesecloth. In emergency situations, a T-shirt or similar material will serve the same purpose.
- If you suspect a water source contains viral and bacteriological contamination, add 16-drops of plain bleach or iodine to each 1-gallon of water and wait 30 minutes in order to pre-treat the water before purifying in this system. The disinfectant will be removed from the water during the purification process, leaving no odor or taste.

Black Berkey® Purification

Elements Priming Tips

1. To create a useful finger-hold for priming, screw the wing nut onto the end of the threaded stem of the Black Berkey® Element just until only two or three threads are exposed from the tip.

2. Press the rubber priming button (tan or black colored) onto the stem of the element.
3. Place the threaded stem of the element between your index and middle fingers and press the priming button against the faucet while placing your thumb on top of the faucet to create a tight seal.
4. While holding the priming button against the faucet, turn on the cold water slowly, allowing water to fill the inside of the element.
5. Allow the exterior wall of the element to sweat beads of water for about 10 seconds.
6. Rinse the manufacturing dust from the exterior of the element. The element has now been successfully primed.
7. Repeat steps 1 – 6 for each additional element.

Note:

- Do not discard the priming button as you may need it in the future to re-prime the elements after cleaning or when the elements have been allowed to dry for a prolonged period of time.
- *For priming in the field or in areas with no water pressure:*
 - o It is recommended to use the Black Berkey® Primer, a hand-powered priming pump that does not require faucets or hose connections. See “Parts and Accessories” on page 21 of this booklet.
 - o If you do not have the Black Berkey® Primer, soak the elements. Fill a clean container, such as the lower chamber of your Berkey® system, with water and place the elements in the water upside down with the stems facing upward and out of the water. Place an object (such as a ceramic coffee cup) on each stem to force the element body under the water. Allow the elements to soak for several hours to fully saturate them.

Troubleshooting - Slow Initial Flow Rate

Note: *If your Berkey® system also contains the optional PF-2 Fluoride and Arsenic Reduction Elements, the flow rate will typically be reduced by 15 to 20% under normal conditions.*

1. To determine if the Black Berkey® Elements have been successfully primed, remove them from the system and submerge them in a tall container of clean water, such as the lower chamber of your Berkey® system. If they sink to the bottom, they are fully saturated. If they float, the micro pores still contain trapped air and the elements will need to be re-primed.
2. Re-prime the elements. Follow the instructions provided within the element box or use the “Black Berkey® Purification Elements Priming Tips” on page 6 of this booklet.
3. If re-priming the elements does not improve the flow rate, soak the elements using the instructions provided on page 7 in the “Note” section of “Black Berkey® Purification Elements Priming Tips”.
4. If the elements continue to have a slow flow rate contact Customer Service.

Troubleshooting - Flow Rate Decreasing After Extended Use

- Small particulate matter can become trapped on the outside of the elements causing the flow rate to decrease. Follow the instructions in the “Routine Cleaning and Maintenance” section on page 12 to clean the elements.
- If the elements have been allowed to sit dry for several days, air may be trapped in the micro pores and the elements will need to be re-primed. Follow the “Priming Tips” for the elements on page 6.

Storing the Black Berkey® Purification Elements

- **UNUSED:** The elements can be stored indefinitely in their original packaging. Do not store with fragrant items.
- **USED:** Clean the elements following the cleaning instructions on page 13 and then allow them to dry completely. The drying process can vary from one day to one week depending on the humidity level in the air. When dry, store the elements in their original packaging. Be sure to re-prime the filters before using them again.

Testing the Black Berkey® Purification Elements

To determine whether the Black Berkey® Elements are working properly, perform the following test using red food coloring.

Note: *Due to its specific composition, only artificial food coloring that is red in color can be used. Natural dyes that are red in color, such as vegetable juices, cannot be used in place of artificial red food coloring.*

1. Confirm that the placement of the element washer and wing nut are correct. The washer should be inside the upper chamber and the wing nut should be on the underside of the upper chamber.
2. If your Berkey® system contains the optional PF-2 Fluoride and Arsenic Reduction Elements in addition to the Black Berkey® Elements, **remove the PF-2 elements prior to the test.**
3. Place a glass under each element to catch the filtered water.
4. Fill the upper chamber with water so that the Black Berkey® Elements are completely submerged.
5. Add one teaspoon of red food coloring for every gallon of water that is in the upper chamber of the system. The water in the upper chamber should have a red tint.
6. Allow the water to filter into the glasses.
7. If the filtered water has a pink or red tint, see below additional troubleshooting tips before contacting Customer Service.

Red Dye Troubleshooting Tips

Please review ALL below troubleshooting test to ensure a correct test before contacting Customer Service.

- Are the wing nuts on securely? Please do not tighten the wing nuts using any tools; they should be hand tightened to a snug fit, but not more. If the wing nuts are on too tight, this could cause stripping on the threads of the filter stem, preventing a correct seal.
- Are you using the correct type of dye? Artificial liquid red food coloring is the only type recommended for this test. Other dyes contain minerals and natural colors which may pass through the Black Berkey® Elements.

Red Dye Troubleshooting Tips Continued

- Are the Washers and Wingnuts installed correctly? The Washer should be on the stem of the black filter inside the upper chamber, and the Wingnut should be secured on the black filter stem in the lower chamber. If not you will not have a proper seal, and will cause your system to fail the test. Please see diagram 2 on page 2 to ensure the washers and wingnuts are correctly installed.
- Are the blocking plugs properly sealing the unused holes without elements? If you have a multi-part screw style plug, verify that the plugs are installed tight with a silicone washer on each side. If you have the cork style hole plugs, make sure they are installed with the narrow end inserted first through the inside of the upper chamber. If the plugs are leaking, this will cause the system to fail the test.
- Are you re-testing an element you think has failed? If so, rinse off and re-prime the element first. Additionally, make sure you empty any excess water out of the bottom of the system or cups. If you are using the bottom chamber to catch water, run clean water through the spigot to clean it out as well.

Now you are ready to repeat the test.

If you've followed all the troubleshooting steps, and your filter(s) still fails the red food coloring test, do not throw away the filter(s), as they have a 2-year prorated warranty. Contact Customer Service for further assistance.

Note: *Test your system upon first use, every three to six months, before you take your system out of the country, or any time you use your system after drying and storing the elements for an extended period of time.*

Other Black Berkey® Purifier Tips:

- Do not allow wet purification elements to freeze.
- Do not place purification elements in dishwasher.
- Do not place purification elements in microwave oven.
- Do not boil purification elements.
- Do not clean purification elements with detergents or soaps.
- Do not store purification elements until completely dry.
- Do not allow purification elements to sit in the direct sun for extended periods of time.
- Do not place Berkey® system near a heat source or in direct sunlight.
- Do not use elements to filter sea water or softened water.
- Do not rest upper chamber on Fluoride filters or Black filter stems.
- Remove filters and pack safely while traveling

PF-2 Fluoride and Arsenic Reduction Elements

Priming Tips

1. With the blue caps **in place**, wash the exterior of each PF-2 element with water and dish washing soap.
2. With clean hands, remove one blue cap from the end of a PF-2 element. It does not matter which blue cap is removed.
3. While holding the PF-2 element under your sink faucet, slowly turn on the cold water and fill the PF-2 element with water (about ½ cup is needed). Then turn the water off.
4. Replace the blue cap on the PF-2 element and shake it gently to help loosen any manufacturing dust that may be trapped within the element. Gently tapping the PF-2 element on the counter a few times will also help to loosen any excess manufacturing dust.
5. Remove both blue caps from the ends of the PF-2 element and empty out any residual water.
6. Place the tan rubber priming button onto one end of the PF-2 element and align the hole of the element with the hole of the priming button.
7. Press the priming button up against the sink faucet so the priming button creates a seal between the faucet and the PF-2 element. Place your thumb on top of the faucet to apply more pressure, creating a better seal.
8. Turn on the cold water slowly, allowing water to fill the cavity of the PF-2 element and discharge from the opposite end. Allow water to flow for one to two minutes or **until the water runs clear**.
9. To determine if more priming is necessary, run additional water through the element using a clear glass, to collect the water discharging from the opposite end. If the collected water still appears cloudy, continue priming until the water is clear.
The priming process may need to be repeated more than once to completely remove any residual manufacturing dust.
10. Turn the PF-2 element over to prime the other end, repeating steps 6 through 9.
11. Repeat steps 1 through 10 for each additional PF-2 element.

Note: *Do not discard the priming button or blue caps as you may need them in the future to re-prime the elements.*

Installation Tips

1. Remove the upper chamber of the system and place it upside down so that the threaded stems of the Black Berkey® Elements are facing upwards.
2. With the water flow arrow pointing away from the upper chamber, screw the PF-2 elements onto the stems of each Black Berkey® Element exactly *eight* full revolutions, and no more. **Do not screw the PF-2 elements more than eight revolutions in an attempt to tighten them further as this may damage the internal media screen.**
3. Return the upper chamber to the system by placing it onto the lower chamber. The PF-2 elements should now hang down into the lower chamber. The PF-2 elements will hang loosely but are secure.
4. Fill the upper chamber with water and let it drain into the lower chamber. When the lower chamber is full, discard the first batch of water as it may contain residual manufacturing dust. The system is now ready for use.

Troubleshooting – Filtered Water in Lower Chamber is Cloudy

Cloudy water may indicate that the PF-2 elements still contain some manufacturing dust and will require additional flushing with water.

1. Fill a clean container with clean water and soak the PF-2 elements in the water for at least 30 minutes. Tilt the elements, while under water, so that any air bubbles can escape from both ends.
2. Remove the PF-2 elements from the water. Cover the holes with either your fingers or the blue caps that came with the elements, and shake the elements vigorously. Then tap them lightly on the counter to loosen any residual manufacturing dust.
3. Re-prime the PF-2 elements using steps 6 through 9 of “PF-2 Fluoride and Arsenic Reduction Elements Priming Tips” on page 11.
4. If the water filtering through the PF-2 elements continues to be cloudy in appearance, contact Customer Service.

Storing the PF-2 Elements

- **UNUSED:** The PF-2 elements can be stored indefinitely in their original packaging. Do not store with fragrant items.
- **USED:** Place the PF-2 elements in a re-sealable zipper storage bag and store them in the refrigerator for up to two weeks.

Note:

- o Do not store used PF-2 elements for longer than two weeks.
- o Do not store the PF-2 elements in the freezer.
- o Remember to re-prime the PF-2 elements before using them again. See “PF-2 Fluoride and Arsenic Reduction Elements Priming Tips” steps 6 through 9 on page 11.

Routine Cleaning and Maintenance

Cleaning the Black Berkey® Purification Elements

1. To prevent contamination, wash hands before proceeding.
2. Remove the upper chamber and place it upside down on a solid surface, to unscrew the optional PF-2 elements, and set safely aside.
3. Lift the upper chamber vertically, and use one hand to hold the black filter and the other to unscrew all wing nuts that secure the Black Berkey® Elements in the chamber.
4. Remove the Black Berkey® Elements from the inside of the upper chamber.
5. Hold one element under the faucet with the exit hole pointed up.
6. Using a clean 3M Scotch-Brite™ pad, scrub the surface of the element for several minutes. The goal is to remove the outermost layer of the element, exposing a new layer of open micro pores.
7. Rinse the element with water but place a finger over the hole of the threaded stem to prevent any potentially contaminated water from entering the core of the element.
8. Re-prime the element using the “Priming Tips” on page 6.
9. Repeat steps 4 to 7 for each additional Black Berkey® Element.
10. Reassemble the system.

Cleaning the Chambers of the Berkey® System

The chambers, particularly the lower chamber, should be cleaned at least once per month.

1. Remove the Black Berkey® Elements, optional PF-2 elements, spigot, and any other attached components.
2. Clean the chambers using water and a mild dish soap. If the water used for cleaning is suspected to contain viruses or bacteria, add 16 drops of bleach per gallon of water. The stainless steel Berkey® chambers can

also be cleaned in the dishwasher but remove all parts and attachments first. If you have a Berkey® Light system, do not place any of its components in the dishwasher.

***Note:** If your Berkey® system is filtering hard water, which is water with a high dissolved mineral content, scale from naturally-occurring minerals such as calcium may develop in the spigot and chambers after prolonged use. These deposits can be removed by soaking the affected components in a 50-50% vinegar and water mixture for about 15 minutes. Then wash with water and mild dish soap. Do not soak the Black Berkey® Elements or optional PF-2 elements in the vinegar mixture.*

Frequently Asked Questions (FAQs)

Why does my Berkey® system leak where the upper and lower chambers fit together?

- There is no water-tight seal between the upper and lower chambers of the system because this type of seal would prevent gravity filtration. Therefore water will leak from where the two chambers fit together if both the upper and lower chambers are full or nearly full of water. To prevent overflow, it is recommended to empty the lower chamber completely prior to refilling the upper chamber.
- **If at any time you experience an issue with your system leaking water, discontinue use, empty the water from both the upper and lower chambers, and contact Customer Service.**

Why Does the Upper Chamber Still Contain Water After the Filtering Process?

- The Berkey® systems are gravity filters and as the water level in the upper chamber decreases the filtering process will naturally slow down because there is less water pressure available to force water through the elements. It is normal for one to two inches of water to remain in the upper chamber.

Why is the Filtered Water Cloudy?

- Cloudy filtered water may indicate the PF-2 elements still contain some residual manufacturing dust. Re-prime the PF-2 elements again following the “Priming Tips” for the PF-2 elements found on page 11.

Why is there a Residue in the Chambers and Cookware?

- Naturally-occurring minerals such as calcium and magnesium carbonates, bicarbonates, chlorides, and sulfates can leave deposits in the Berkey® chambers as well as cookware that have contained the filtered water. These deposits can be removed by thoroughly cleaning the chambers and cookware. For cleaning instructions, see “Cleaning the Chambers of the Berkey® System” found on page 13. If filtering hard water see the note section on page 14, as well.

What can be done if the Filtered Water has an Unexpected Taste?

- Test the Black Berkey® Elements. To ensure the elements are properly filtering the water, perform the red food coloring test using the instructions found on page 9.
- Re-prime the PF-2 elements. If your Berkey® system contains the optional PF-2 elements, the taste may be due to residual manufacturing dust that was not removed during the priming process. See the “Priming Tips” for the PF-2 elements that are provided on page 11 as well as the PF-2 element “Troubleshooting” on page 12.
- Clean your Berkey® system. Follow the “Routine Cleaning and Maintenance” instructions that are provided on page 13.

100% Satisfaction, 30-Day Satisfaction Guarantee

Berkey Filters encourages you to test your product once it’s received. For this reason, we accept returns of products in new or used condition. If you are not satisfied with your purchase, for any reason within 30 days of your purchase date, you may call Customer Service at 800-350-4170 for a RMA # (Return Merchandise Authorization Number).

For merchandise valued at \$55 or more, we will supply you with a pre-paid return label* for you to return the items to us in their original packaging, with all included parts and literature. If you wish to return any merchandise amounting to less than \$55 you may do so at your expense after receiving a RMA #.

Once your return is received, please allow 7-10 business days for a refund to reflect back to the original form of payment used for the order. If an eligible purchase included a free item, the free item must also be included in your return. Free items not returned will be billed as a deduction from the final refund at their full retail value.

Packages received without a RMA # will be charged a 20% handling fee. Return instructions can be found in the "Returning your Berkey® Water Filter System" section on page 19.

Exchanges

For exchanges please follow the instructions in the above section. If the returning item is valued at \$55 or more, we will cover the return shipping cost to us. Outbound shipments for new items will ship free if the value meets or exceeds \$45*. Once we have received the item you're exchanging, please allow 7-10 business days for processing. During this time we will ship out the exchange item.

Rapid Exchange

If you would like to receive your exchanged item as soon as possible, you may choose to pay the purchase price of the new product upfront. Once the returned item is received, a refund will be processed for the returned items.

**Pre-paid return labels utilize UPS-Ground shipping. Returns must be made at a UPS Drop-off location. Return labels, and free outbound shipping, are only available to our customers located in the 48 contiguous United States. (Please refer to our shipping policy for additional information regarding carriers and shipping methods).*

Past 30 days

Returns will not be accepted after 30-days of the purchase date. No exceptions.

Warranty Policy

Standard Manufacturer 6-Month Warranty

Except for the unit housings and Black Berkey® Purification Elements, all products, including the Berkey® (PF-2) Fluoride filters, parts, and accessories are warranted to be free from defects in materials and workmanship for 6-months from the purchase date.

Standard 2-Year Warranty - Prorated at 6-Month Intervals

The Black Berkey® Purification Elements and unit housings are warranted to be free from defects in material and workmanship for a 2-year period, prorated in 6-month intervals.

Warranty - Continued

Berkey Care Lifetime Warranty

For our customers who chose to register at the time of purchase, we offer a lifetime warranty on select Berkey® Systems. The Berkey Care Lifetime Warranty covers the; Travel Berkey®, Big Berkey®, Royal Berkey®, Imperial Berkey®, and Crown Berkey®.

If at any time the housing, standard spigot, washers, hole plugs, knob, or wing nuts of your stainless steel Berkey® system fail in any way due to defects in materials or workmanship, contact Berkey Filters for additional information regarding the exchange of the item and to receive a RMA #. The lifetime warranty does not cover damage caused by carelessness, accidents or abuse/unintended use of the system. This warranty does not cover filters. This is an exclusive offer to our valued customer from Berkey Filters and is in addition to all other stated warranties.

Please note: For all returns, exchanges, and warranty claims please contact our Customer Service for a RMA # prior to returning and refer to the "Returning your Berkey® System" section on page 19. Failure to follow listed instructions will result in a 20% handling fee.

Manufacturer's General Warranty

New Millennium Concepts, Ltd. warrants their product against defects in materials or workmanship during ordinary consumer use. This limited warranty does not cover product issues caused by any other reason, for the time periods and conditions set forth below when purchased directly from New Millennium Concepts, Ltd. or from an authorized Berkey® dealer. For a period not to exceed 12 months from the original date of purchase of the product, New Millennium Concepts, Ltd. will, solely at its discretion, replace a system or component that it deems is not functioning properly during the stated warranty period. New Millennium Concepts, Ltd. shall not be held liable for incidental or consequential damage to personal property from, but not limited to, a defective unit, improper use, abuse, accident, or neglect, etc. It is the customer's responsibility to prevent misuse of the system and to replace parts, when, due to the natural course of wear and tear, they must be replaced.

Manufacturer's General Warranty - Continued

This warranty will not apply to units which have been used for purposes not intended, which have been altered so as, in the manufacturers judgment, to adversely affect its performance. This warranty is for the original retail purchaser only, and cannot be transferred.

The laws of the state of Texas, USA will govern any disputes regarding this warranty or claim made. This warranty, which is given expressly in lieu of all warranties, expressed or implied, or merchantability and fitness for a particular purpose, constitutes the only warranty made by New Millennium Concepts, Ltd.

The Black Berkey® Purification Elements are covered under a two year limited prorated warranty, calculated in six month intervals. This warranty applies only to products manufactured or exclusively distributed by New Millennium Concepts, Ltd. and its authorized Berkey® dealers. To obtain warranty service, you must provide a dated receipt for the product and pay for any shipping charges incurred to return the product to New Millennium Concepts, Ltd.

Final Sale Items

Items marked as final sale, such as Scratch and Dent items are ineligible for returns or refunds. Final sale items may not be exchanged for cosmetic reasons or any other reason. Final sale items are covered by the manufacturer warranty for defects in materials and workmanship.

Returning Your Berkey® Water Filter System

Please follow the disassembly and packing instructions carefully. Fees may apply if the product is not returned in its entirety with original packaging, or if it is damaged during return shipment. The following information is comprehensive, and all sections may not apply to your specific return.

Disassembly (Please refer to the Assembly Diagram on page 1)

Step 1 –Disassemble the Lid

- A. Unscrew the knob (1) from the lid (2).
- B. Remove the screw (4) from the lid and then screw it back into the knob with the washer (3) attached.
- C. Set both pieces aside.

Step 2 – Disassemble the Upper Chamber

- A. Separate the upper chamber (5) from the lower chamber (11) and set the upper chamber (5) upside down on a solid surface.
- B. Unscrew optional PF-2 Fluoride and Arsenic Reduction Elements (10) from the purification elements (6). Hold the Black Berkey® Elements and unscrew the wing nuts (8) If the optional hole plugs are used, unscrew the hex nuts as well.
- C. Remove the purification elements (6), element washers (7), and any hole plugs (9) from the inside of the upper chamber (5).
- D. Screw the element wing nuts (8) back onto the purification elements (6) with the element washers attached. Also screw any hex nuts onto the optional hole plugs with the washers attached.
- E. Set all pieces aside.
- F. Allow the purification elements (6) and optional PF-2 elements (10) to air dry for at least 24 hours prior to packing.

Step 3 – Disassemble the Spigot/Lower Chamber

- A. Unscrew the spigot (12) by holding the spigot hex nut (15) inside of the lower chamber (11) and turning the spigot.

- B. Remove the hex nut (15) and the spigot from the inside of the lower chamber (11) and screw the hex nut back onto the spigot (12) with the washers (13, 14) attached.
- C. Leave the rubber base ring (16) attached to the bottom of the lower chamber (11).
- D. Set all pieces aside.

Step 4 – Packing the System for Return Shipping

Failure to properly pack your system for return shipping could result in a restocking handling fee of up to 20% if the unit is received damaged.

- A. Place the purification elements (6), which have been allowed to dry for 24 hours, in a re-sealable zipper storage bag. Then place them in their original box. Place the optional PF-2 elements (10) in a re-sealable zipper storage bag as well.
- B. Bag all parts, such as the knob (1), spigot (12), and hole plugs (9), in their original bag or in a re-sealable zipper storage bag.
- C. Take the upper chamber (5) and set it upright.
- D. Place the filtration elements and the parts inside the upper chamber (5). Please add packing material to the inside of the upper chamber to properly secure all items.
- E. Turn the lower chamber (11) upside down and place it over the upper chamber (5). It should fit over the outside of the upper chamber. The lower chamber will stop before touching the rim of the upper chamber.
- F. Flip the entire system so that the rubber base ring (16) is on the bottom and the bottom of the upper chamber (5) is facing up (the bottom of the upper chamber has the holes for the purification elements.)
- G. Place the lid (2) on the bottom of the upper chamber (5).
- H. Place the system inside the original product box if available, and seal it with tape for shipping. Do not apply the shipping label directly onto the product box. Instead, please place the product box, along with sufficient packing material, into another larger box for shipping.

Please return the Berkey® system to:
James Enterprise Inc. / Berkey Filters
1976 Aspen Circle
Pueblo, CO 81006

Parts and Accessories

**Prices are subject to change without notice. **



Black Berkey® Replacement
Elements (Set of 2)

\$107.00



Set of 2 Wing Nuts with
Washers
For Black Berkey® Elements

\$4.00



Black Berkey Primer™

\$25.00



PF-2 Fluoride and Arsenic
Reduction Elements
Require Black Filters

\$50.00



Optional Hole Plug

\$1.25



Stainless Steel Stand

Elevates stainless steel system six
inches. Rubberized feet for extra
stability. Four sizes to fit all
stainless steel systems.

\$34 - \$49

**Prices are subject to change without notice. **



Replacement Spigot for
Stainless Steel Systems
Fits all stainless steel systems

\$10.00



Berkey Light®
Replacement Spigot
Fits Berkey Light® Systems only

\$10.00



Stainless Steel Spigot
Fits all stainless steel systems

\$20.00



Water View Spigot
Spigot with glass sight tube. Fits
all stainless steel systems. Sizes
vary based on system model.

\$40 - \$45



Berkey® Shower Filter
Includes massaging shower head

\$63.00



Shower Filter Replacement

\$46.00

**Prices are subject to change without notice. **



Sport Berkey® Water Bottle

\$34.95



Sport Berkey® Water
Bottle Replacement Filter

\$19.95



Thinksport Stainless Steel
Water Bottle
Available in 350mL, 500mL, &
750mL.

\$15 - \$19



Berkey® Maintenance Kit

Includes 2 scrubbing pads, 1
spigot, 2 wing nuts and washers, 1
priming button, 2 hole plugs, 1
knob, red food dye, and instruction
booklet. *Fits Stainless Steel Units.*

\$25.00



Berkey Light® Maintenance
Kit

Includes 2 scrubbing pads, 1
spigot, 2 wing nuts and washers, 1
priming button, 2 hole plugs, red
food dye, and instruction booklet.

\$25.00



Boroux Glass Bottle
Single

\$9.99

**Prices are subject to change without notice. **



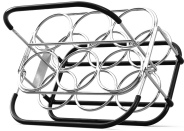
Boroux Glass Bottle
Six Pack

\$58.99



Boroux Starter Kit
Six Pack & Storage Rack

\$73.99



Boroux Storage
Rack

\$39.99



Boroux Insulated
Glass Bottle Sleeve
Various colors available

\$29.99



Boroux Can Jacket
for 12oz & 16oz Cans
Various colors available

\$9.99

For further assistance please contact Customer Service:

- 1-800-350-4170
- customerservice@berkeyfilters.com
- Live Chat on www.berkeyfilters.com
- Please provide the order/invoice number for prompt service.

Customer Service hours:

Monday through Friday - 7:00AM to 5:00PM (MST)

Saturday - 8:30AM to 5:00PM (MST)

Additional information about the Berkey Water Purifiers is also available online at <http://www.berkeyfilters.com>.

My Order/Invoice Number:

Information accurate at time of publication. Content subject to change without notice. For most recent information, please visit berkeyfilters.com or contact our customer service center at 800-350-4170.