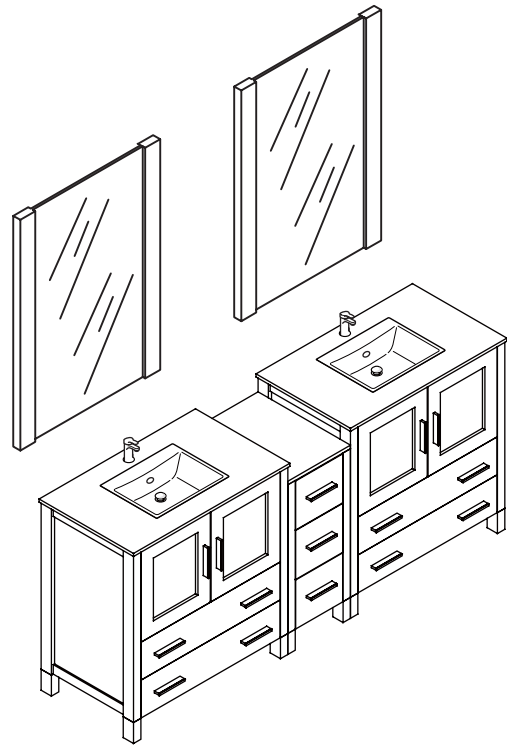
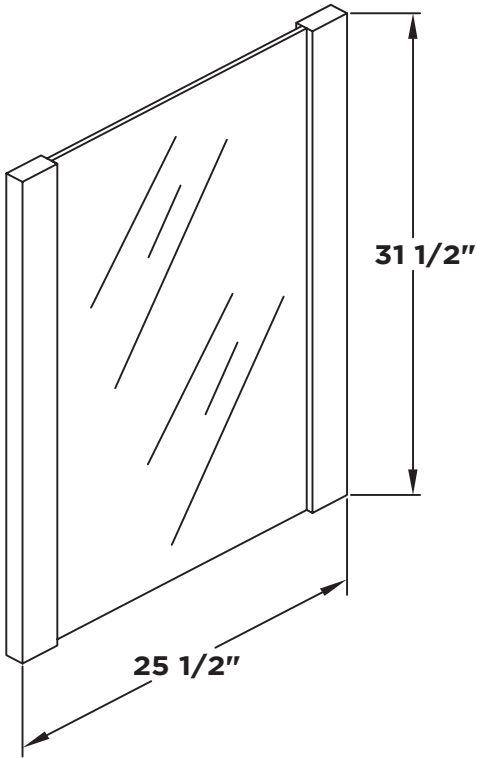
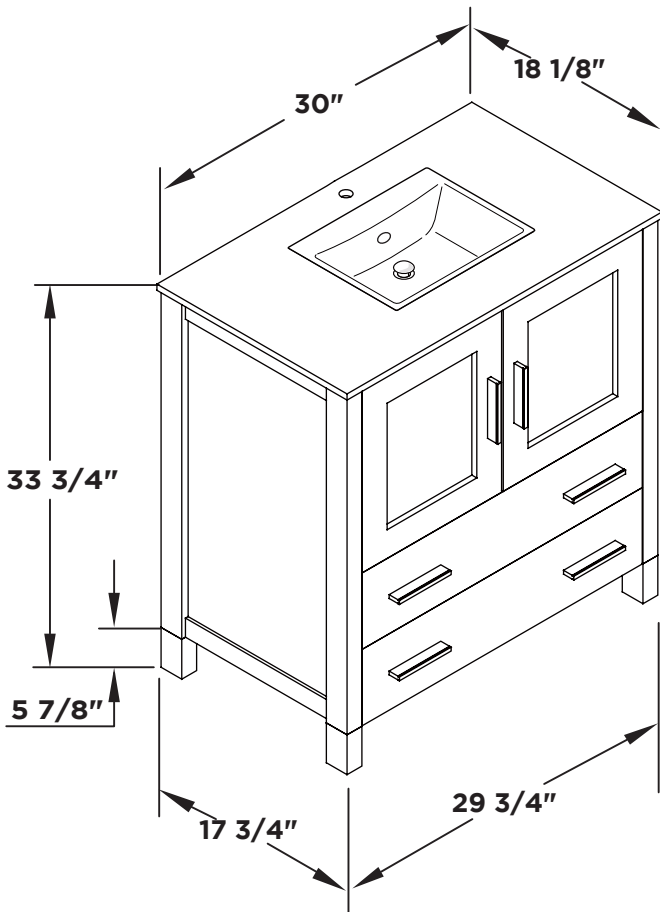


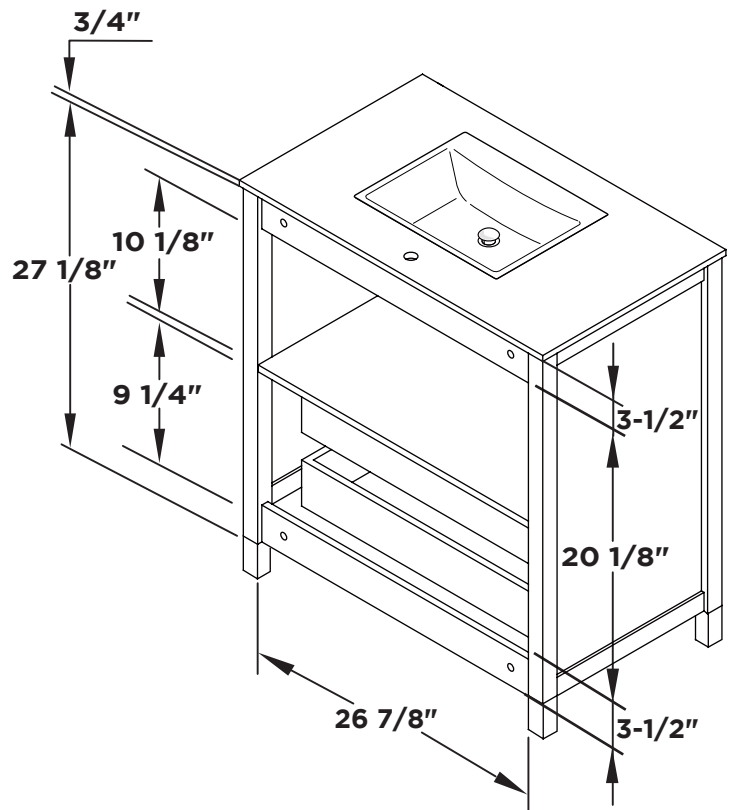
Mirror 2PCS



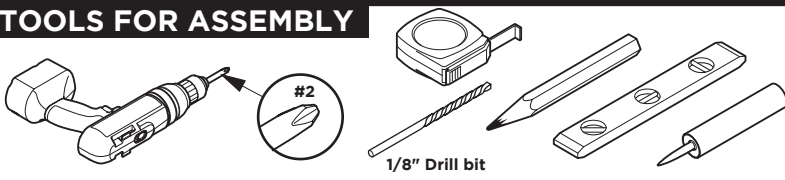
Vanity Front 2PCS



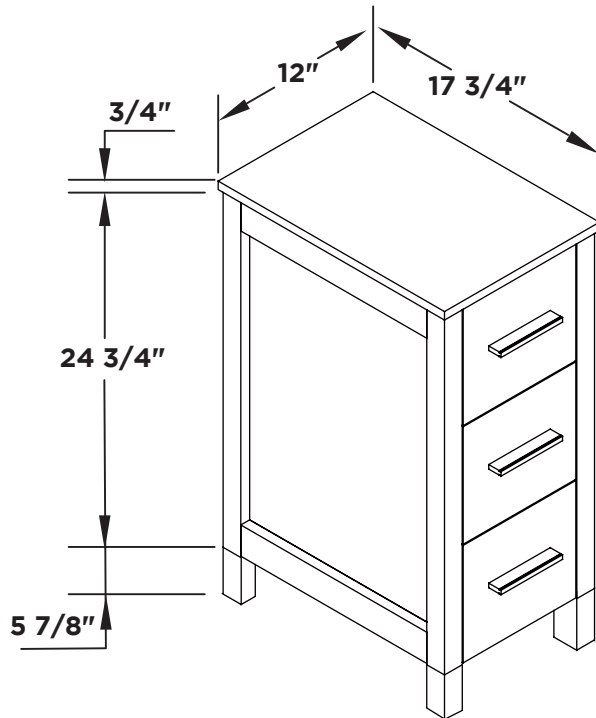
Vanity Back 2PCS



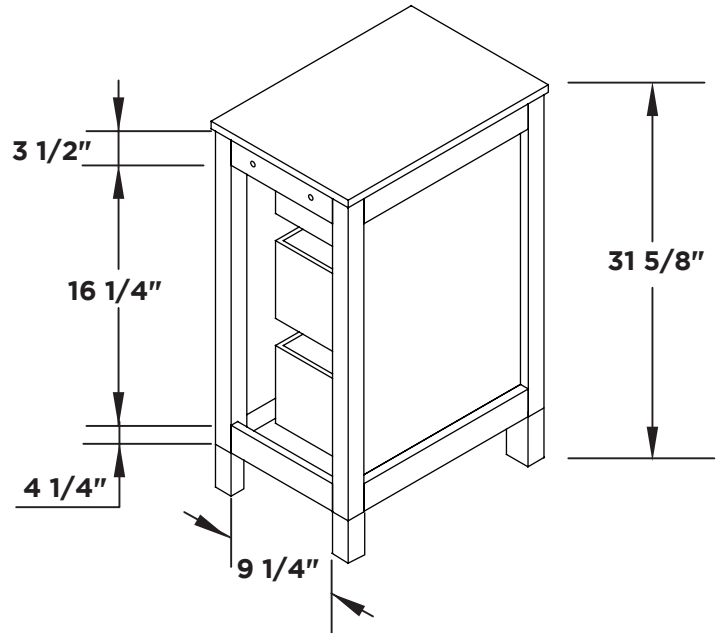
TOOLS FOR ASSEMBLY



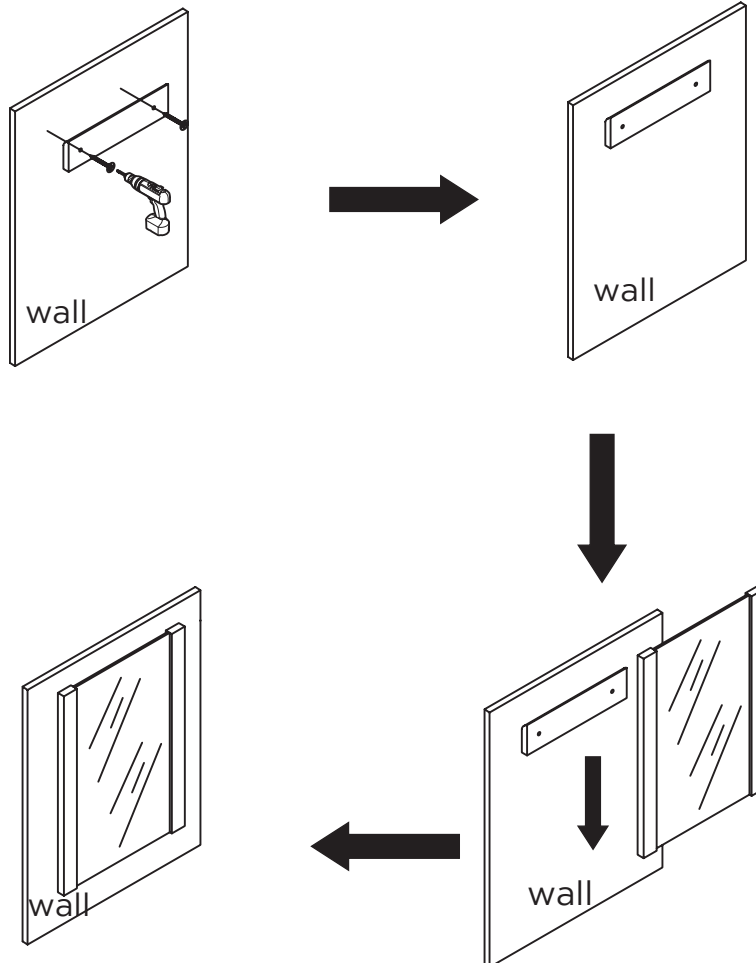
Side Cabinet Front



Side Cabinet Back

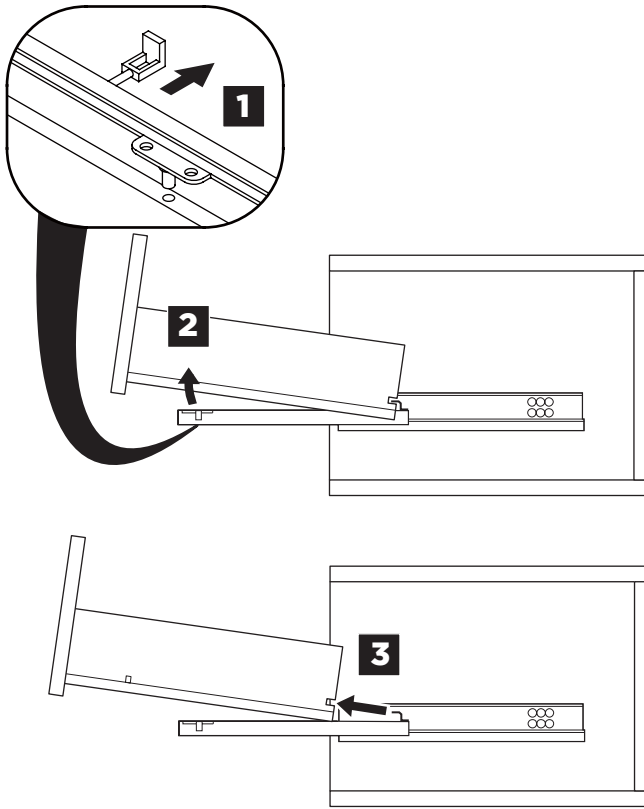


MIRROR INSTALLATION

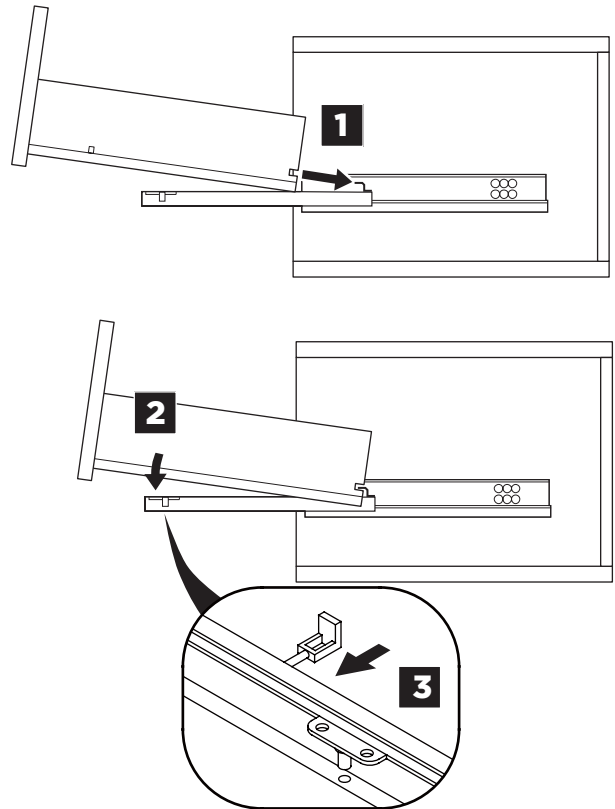


DRAWER REMOVAL & INSTALLATION

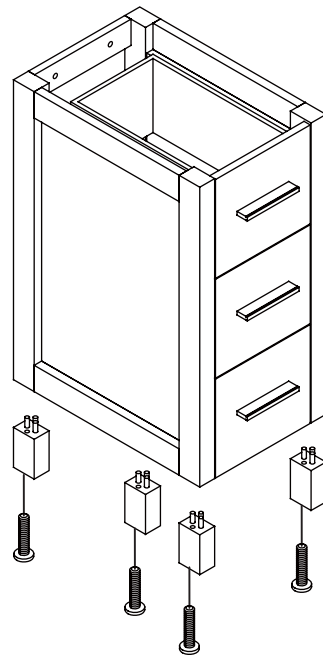
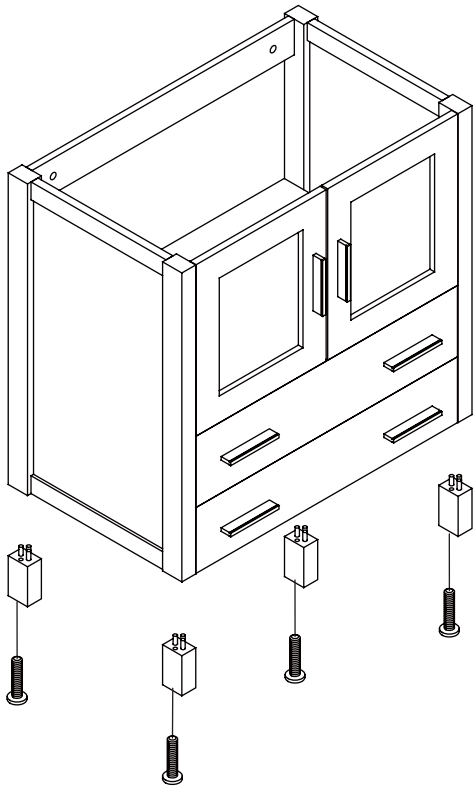
REMOVAL



INSTALLATION



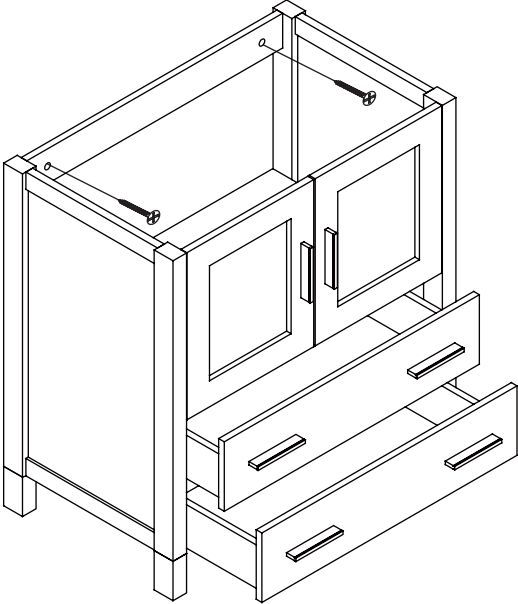
1 Install leg



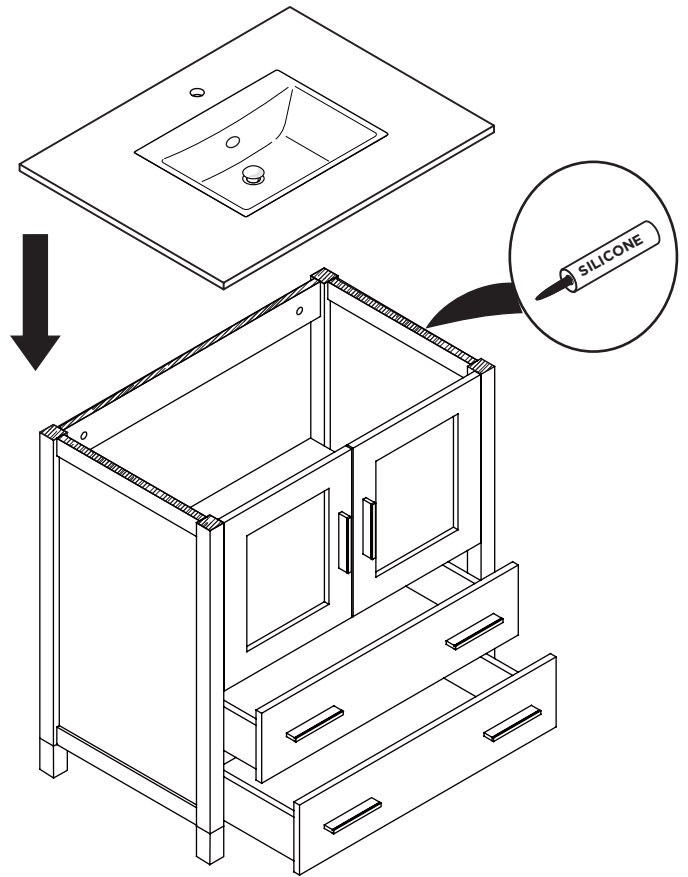
2 Remove drawer

3 Install cabinet

IMPORTANT: Consult an expert for the proper screws/bolts to use when attaching to various wall constructions. Screws provided do not attach to all wall construction types.

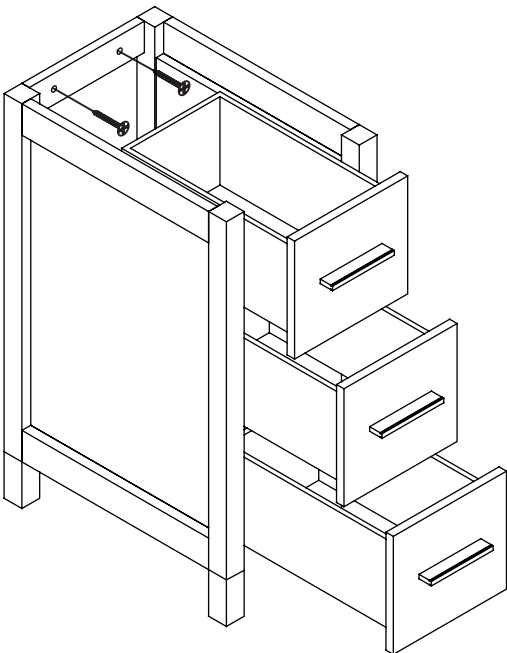


4 Install top panel



5 Remove side cabinet drawer

6 Install side cabinet



7 Install side cabinet top panel

