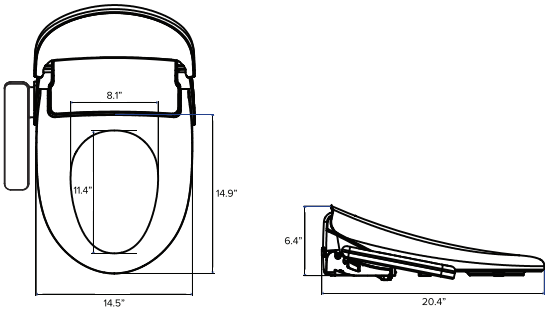


11. Specifications

Model		HLB-3000EC
Rated Voltage		120Vac, 60Hz
Max Consumption Power		1,260W
Water supply type	Type	Direct-coupled water supply system
	Water Inlet Pressure	0.07~0.74 MPa
Water Temperature Wash	Posterior (ℓ /min)	0.6 ℓ /min
	Feminine (ℓ /min)	0.55 ℓ /min
	Water & dryer pressure adjustments	5 Levels
	Water temperature adjustments	4 Levels (Off, Low, Medium, High)
	Water temperature heating	1,200W
	Backflow protection devices	For vacuum to prevent, Check valve
	Safety devices	Manually place two metal strips
Constant Temperature Toilet seat	Seat Temperature Control	4 Levels (Off, Low, Medium, High)
	Seat Heating	55W
	Safety devices	Overheating prevention temperature fuse
Dryer	Dryer Temperature	Room temperature - 131°F, 5 Levels
	Dryer Heat	250W Actual heating power CA(168W)
	Safety Devices	Thermal fuse
Power cord length		3'10"
Energy Saving Mode		Yes
User water temperature		53.6°F - 93.2°F (12°C ~34°C)
Environment temperature		37.4°F - 104°F (3°C ~40°C)

Product weight	About 8.2 lbs
Product Dimensions	 <p>Appearance size : 19.1" W x 20.9" D x 8.1" H</p>

- ※ Recommended water supply pressure are 0.1~0.69MPa
- ※ The minimum available water supply pressure is 0.07MPa, however under 0.1MPa pressure, water spray pressure might not be adequate.