

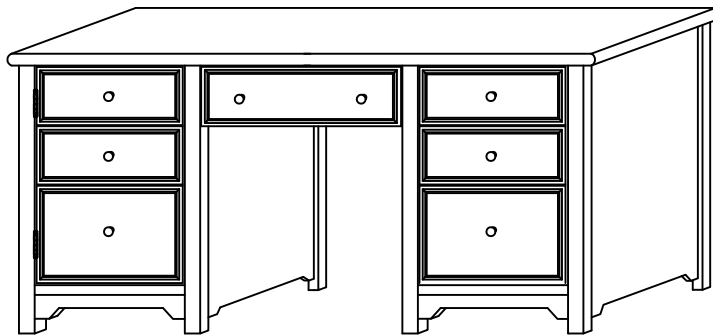
HOME DECORATORS COLLECTION

BF-24513 OXFORD COLLECTION EXECUTIVE DESK

INV#01512

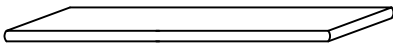
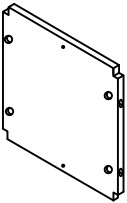
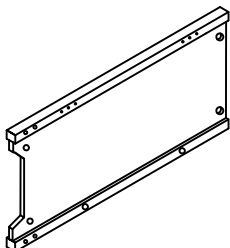
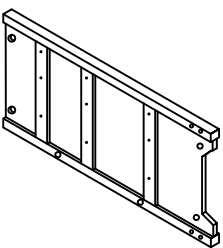
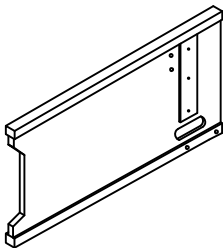
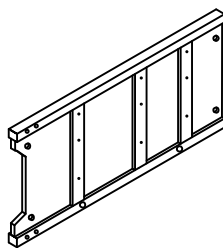
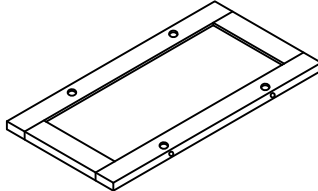
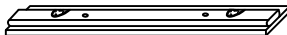

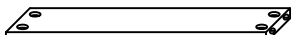
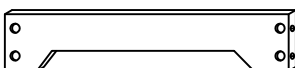
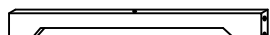
ASSEMBLY INSTRUCTIONS

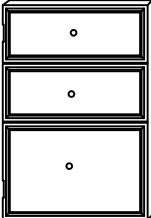
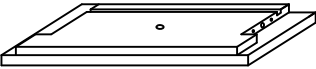
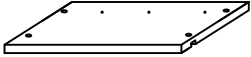
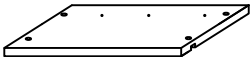
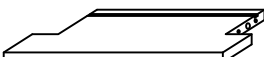
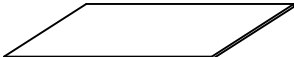
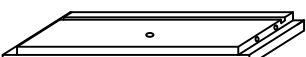



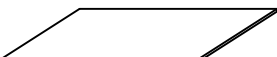
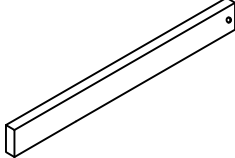
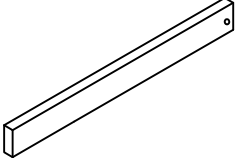
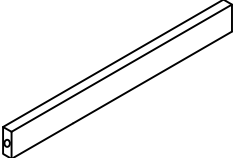
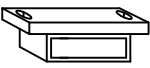


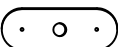

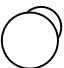
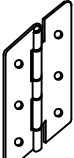
Made In China

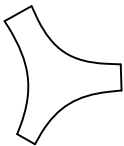
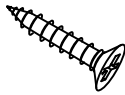
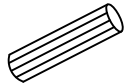

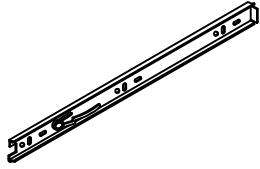

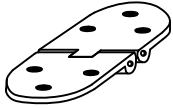
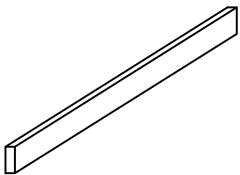
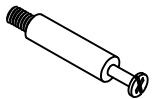

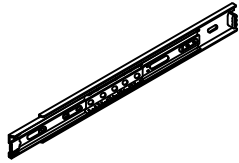
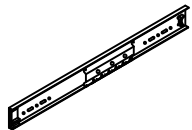
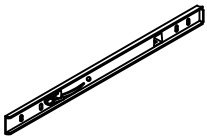
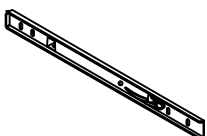
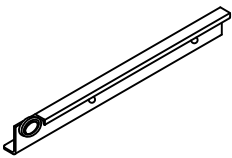
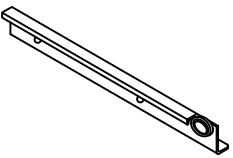
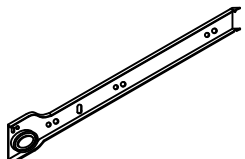
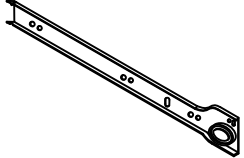

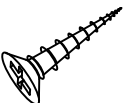


Thank you for purchasing this quality product. Be sure to check all packing material carefully for small parts, which may have come loose inside the carton during shipment. Count all parts and material hardware, then compare with parts list to be sure all parts are present. If any parts are missing or damaged, phone, fax, or mail to our Customer Service Department for efficient and speedy service. Please indicate the model number and code letter of part(s) needed.

IMPORTANT NOTE: Follow instructions listed below in proper sequence as numbered to assure fast, easy and correct assembly.

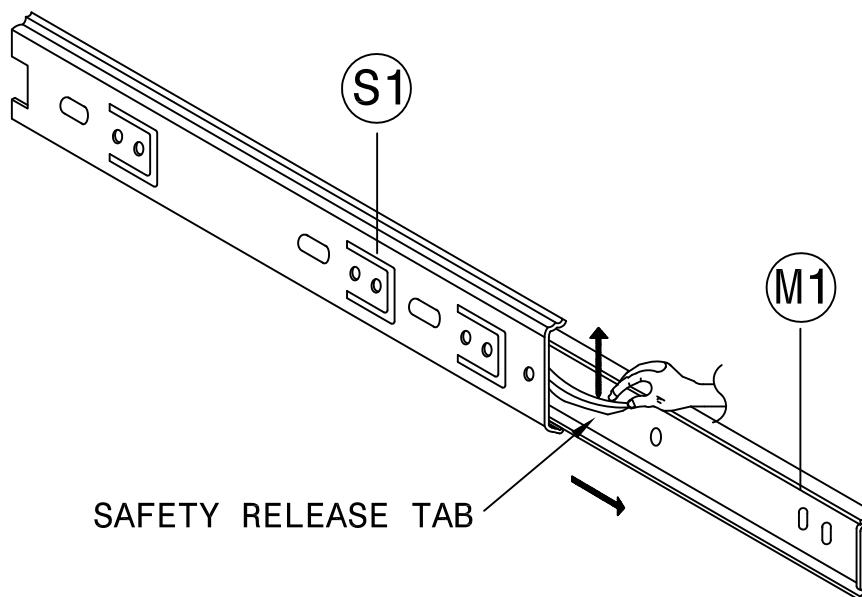
PARTS LIST		
A  TOP PANEL-1PC	B  BOTTOM PANELS-2PCS	C  LEFT SIDE PANEL-1PC
D  RIGHT SIDE PANEL-1PC	E  LEFT STAND PANEL-1PC	F  RIGHT STAND PANEL-1PC
G  REAR PANELS-2PCS	I  FRONT PANEL-1PC	J  KEYBOARD PANEL-1PC
K  ACROSS PANEL-1PC	L  ACROSS PANEL-1PC	M  LOW PANELS-4PCS

<p>N</p>  <p>DOOR PANEL-1PC</p>	<p>O</p>  <p>(BIG) DRAWER PANEL FRONT-1PC</p>	<p>P</p>  <p>(BIG) LEFT DRAWER PANEL SIDE-1PC</p>
<p>Q</p>  <p>(BIG) RIGHT DRAWER PANEL SIDE-1PC</p>	<p>R</p>  <p>(BIG) DRAWER PANEL BACK-1PC</p>	<p>S</p>  <p>(BIG) DRAWER PANEL BOTTOM-1PC</p>
<p>T</p>  <p>(SMALL) DRAWER PANEL FRONTS-2PCS</p>	<p>U</p>  <p>(SMALL) LEFT DRAWER PANEL SIDES-2PCS</p>	<p>V</p>  <p>(SMALL) RIGHT DRAWER PANEL SIDES-2PCS</p>
<p>W</p>  <p>(SMALL) DRAWER PANEL BACKS-2PCS</p>	<p>X</p>  <p>(SMALL) DRAWER PANEL BOTTOMS-2PCS</p>	<p>Y</p>  <p>RIGHT KEYBOARD SIDE PANEL-1PC</p>
<p>Z</p>  <p>LEFT KEYBOARD SIDE PANEL-1PC</p>	<p>A1</p>  <p>KEYBOARD BACK PANEL-1PC</p>	<p>B1</p>  <p>SMALL MAGNETS-3PCS</p>
<p>C1</p> <p>7mm × 5/8"</p>  <p>SCREWS-6PCS</p>	<p>D1</p> <p>5mm × 1/2"</p>  <p>SCREWS-15PCS</p>	<p>E1</p>  <p>FEMALE MAGNET-3PCS</p>
<p>F1</p> <p>8mm × 5/8"</p>  <p>SCREWS-8PCS</p>	<p>G1</p>  <p>KNOBS-8PCS</p>	<p>H1</p>  <p>HINGES-2PCS</p>

<p>I1</p>  <p>CAM-TOOL-1PC</p>	<p>J1</p> <p>6mm × 1"</p>  <p>SCREWS-33PCS</p>	<p>K1</p>  <p>DOWELS-22PCS</p>
<p>L1</p> <p>6mm × 3/8"</p>  <p>SCREWS-14PCS</p>	<p>M1</p>  <p>INNER SLIDES-2PCS</p>	<p>N1</p> <p>6mm × 1/2"</p>  <p>SCREWS-24PCS</p>
<p>O1</p>  <p>HINGES-2PCS</p>	<p>P1</p>  <p>FILE HANGERS-2PCS</p>	<p>Q1</p>  <p>CAM-BOLTS-32PCS</p>
<p>R1</p>  <p>CAM-LOCKS-32PCS</p>	<p>S1</p>  <p>OUTER SLIDES-2PCS</p>	<p>T1</p>  <p>OUTER SLIDES-2PCS</p>
<p>U1</p>  <p>LEFT INNER SLIDER-1PC</p>	<p>V1</p>  <p>RIGHT INNER SLIDER-1PC</p>	<p>W1</p>  <p>LEFT INNER SLIDERS-2PCS</p>
<p>X1</p>  <p>RIGHT INNER SLIDERS-2PCS</p>	<p>Y1</p>  <p>LEFT OUTER SLIDERS-2PCS</p>	<p>Z1</p>  <p>RIGHT OUTER SLIDERS-2PCS</p>
<p>A2</p> <p>6mm × 3/8"</p>  <p>SCREWS-28PCS</p>	<p>B2</p> <p>8mm × 1"</p>  <p>SCREWS-4PCS</p>	

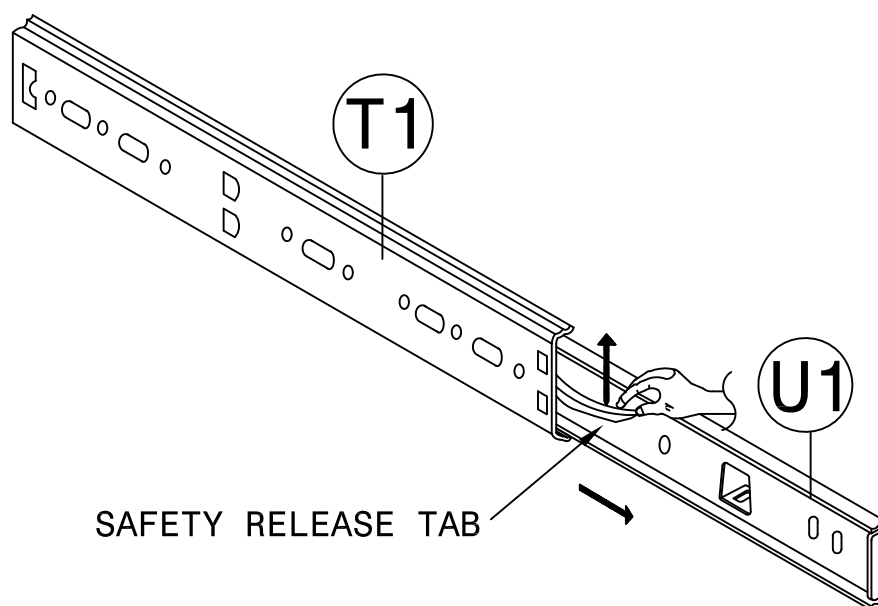
NOTE: THE SURFACE WITH THE STICKER IS THE BACK SIDE.

HOW TO SEPARATE GLIDES



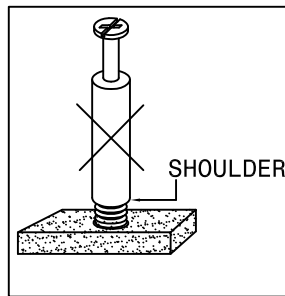
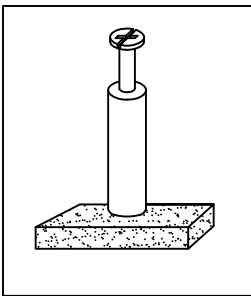
PRIOR TO ASSEMBLY, WE SUGGEST SEPARATING THE INNER GLIDES FROM THE OUTER-GLIDES, SIMPLY PULL THE LEFT/RIGHT INNER GLIDES FROM THE OUTER GLIDES EXPOSING A SMALL BLACK SAFETY RELEASE TAB, BY PUSHING THE SAFETY RELEASE TAB. YOU WILL BE ABLE TO SEPARATE THE GLIDE

HOW TO SEPARATE GLIDES



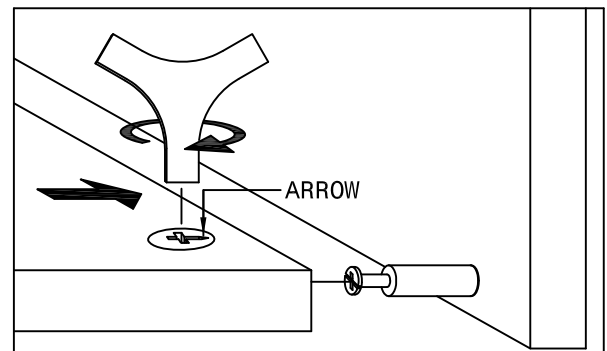
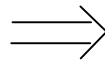
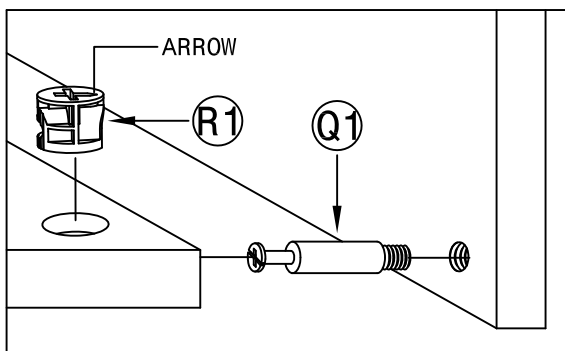
PRIOR TO ASSEMBLY, WE SUGGEST SEPARATING THE INNER GLIDES FROM THE OUTER-GLIDES, SIMPLY PULL THE LEFT/RIGHT INNER GLIDES FROM THE OUTER GLIDES EXPOSING A SMALL BLACK SAFETY RELEASE TAB, BY PUSHING THE SAFETY RELEASE TAB. YOU WILL BE ABLE TO SEPARATE THE GLIDE

NOTE: • UPON OPENING, THOROUGHLY CLEAN ALL WOODS SURFACES TO REMOVE DUST AND DIRT THAT MAY HAVE SETTLED ONTO FINISH DURING SHIPMENT. IN ORDER TO PREVENT DAMAGE DURING ASSEMBLY, PLEASE ASSEMBLE THIS ITEM WITH AT LEAST TWO PEOPLE.

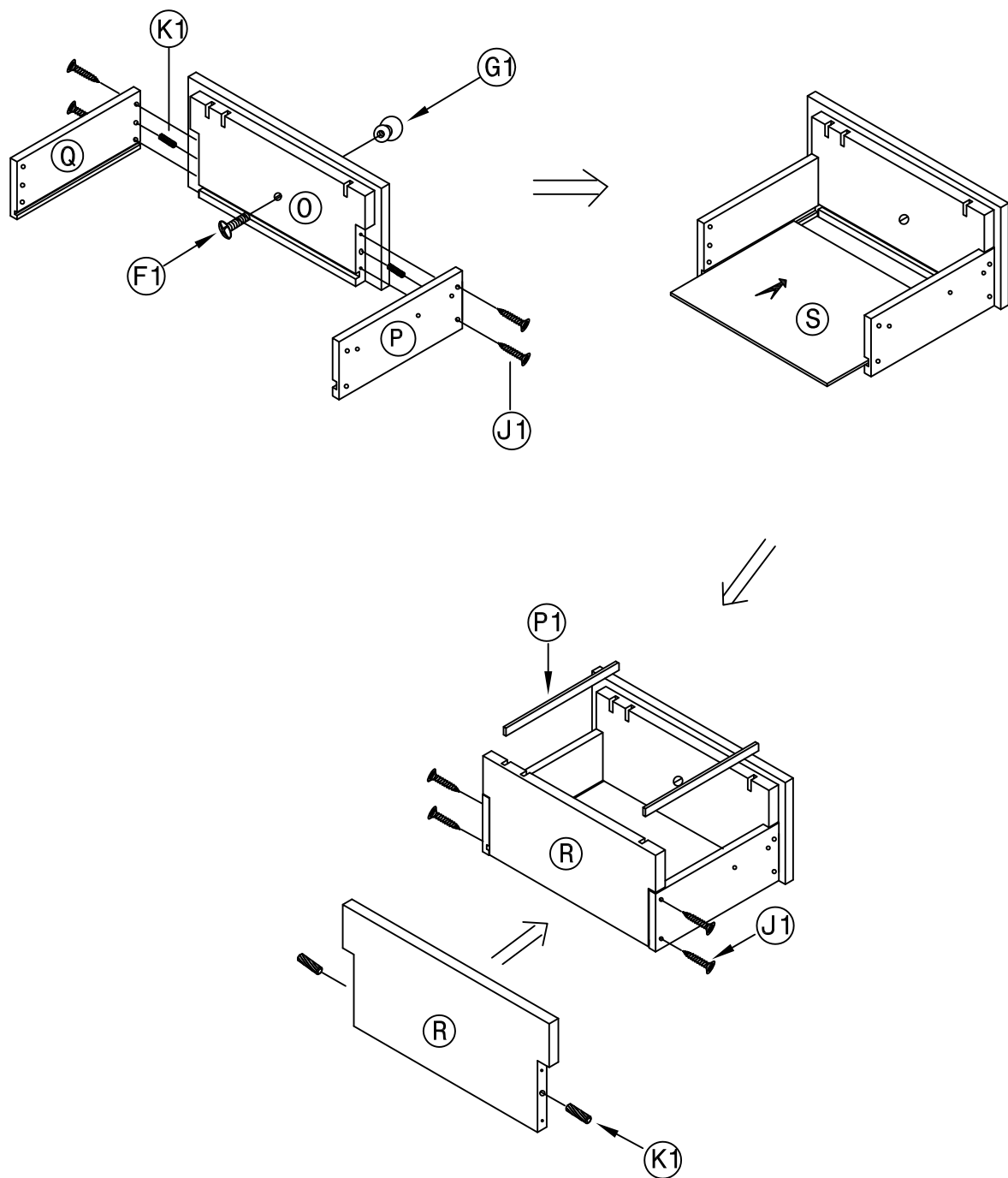


NOTE: TURN THE CAM-BOLT SCREWS UNTIL THEY ARE TIGHT, THE SHOULDER SHOULD BE AGAINST THE SURFACE OF THE PART.

HOW TO USE THE CAM-TOOL

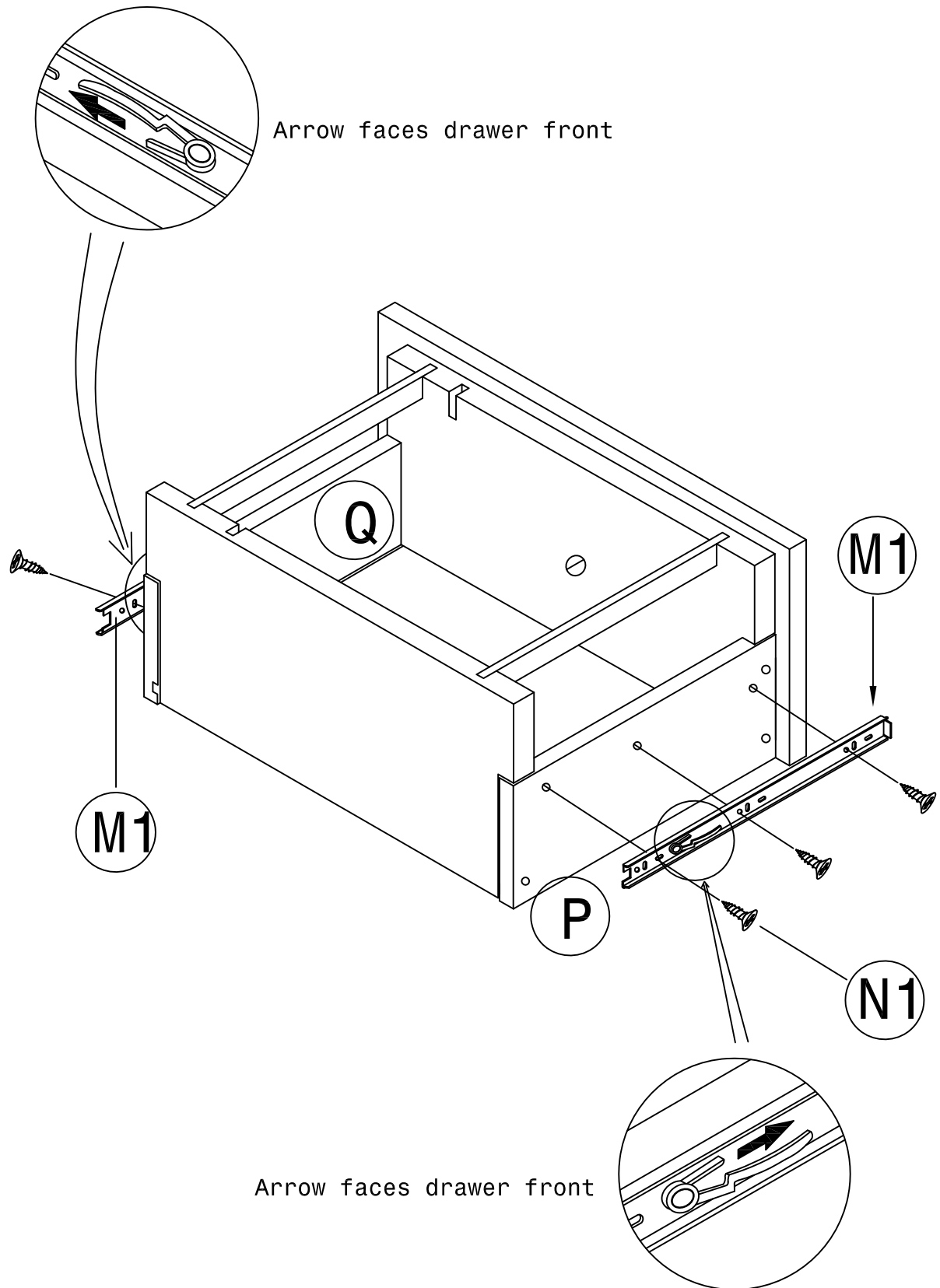


NOTE: • THE ARROWS ON THE HIDDEN CAM-LOCKS SHOULD POINT TO THE CAM-BOLTS



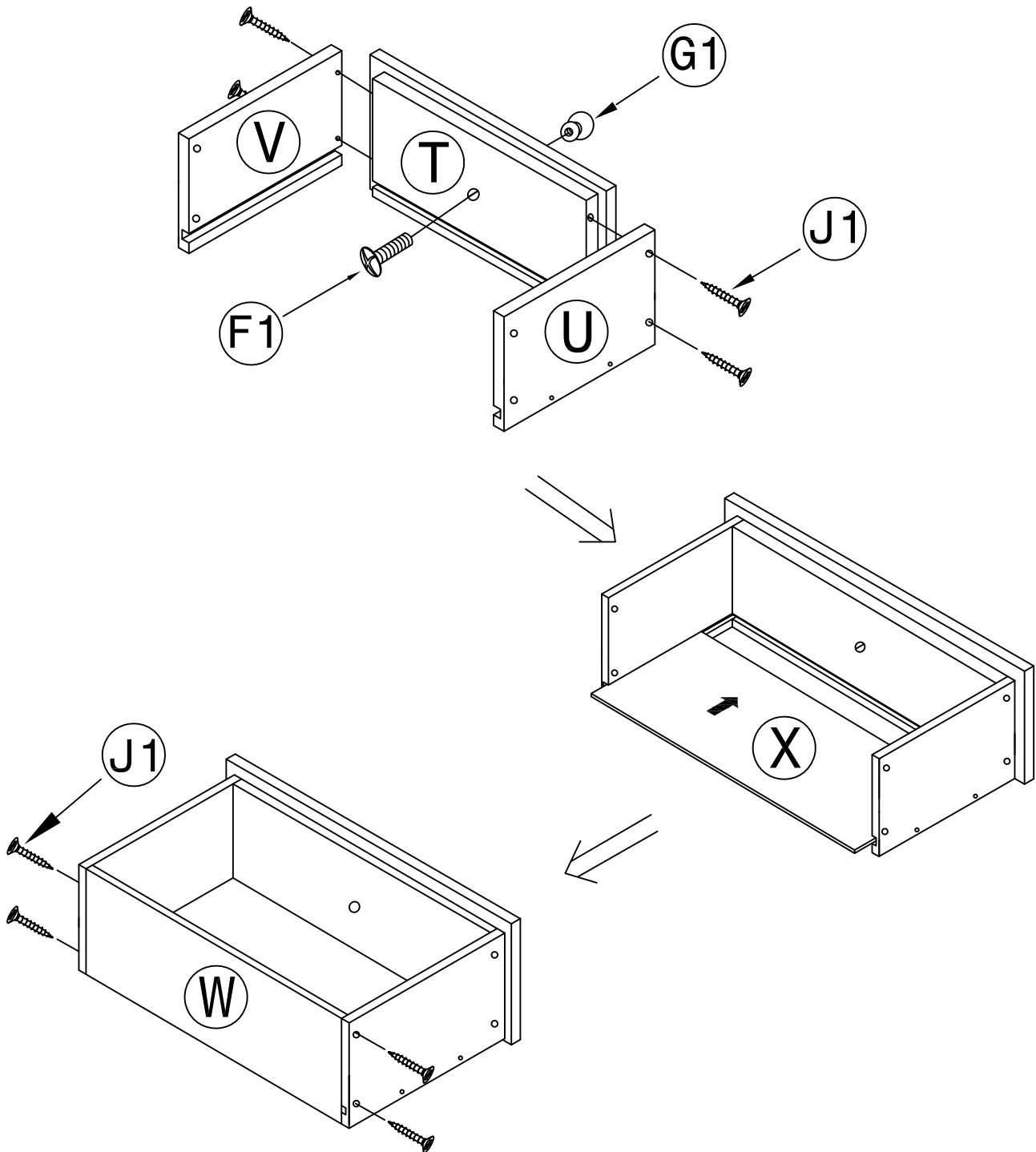
1) .ASSEMBLE THE BIG DRAWER.

- INSERT 2 DOWELS(K1) INTO THE HOLES IN THE PANEL(O) AND ATTACH SIDE PANELS(Q/P) USING 4 SCREWS(J1).
- ATTACH THE KNOB(G1) TO FRONT DRAWER PANEL(O) USING ONE SCREW(F1).
- INSERT BOTTOM DRAWER PANEL(S) INTO THE SLOT IN THE SIDE DRAWER PANELS(Q/P).
- INSERT THE DOWELS(K1) INTO 2 HOLES IN BACK DRAWER PANEL(R) AND ATTACH USING 4 SCREWS(J1).
- INSERT THE FILE HANGERS(P1) INTO THE CUT-OUT OF DRAWER PANEL FRONT&BACK.



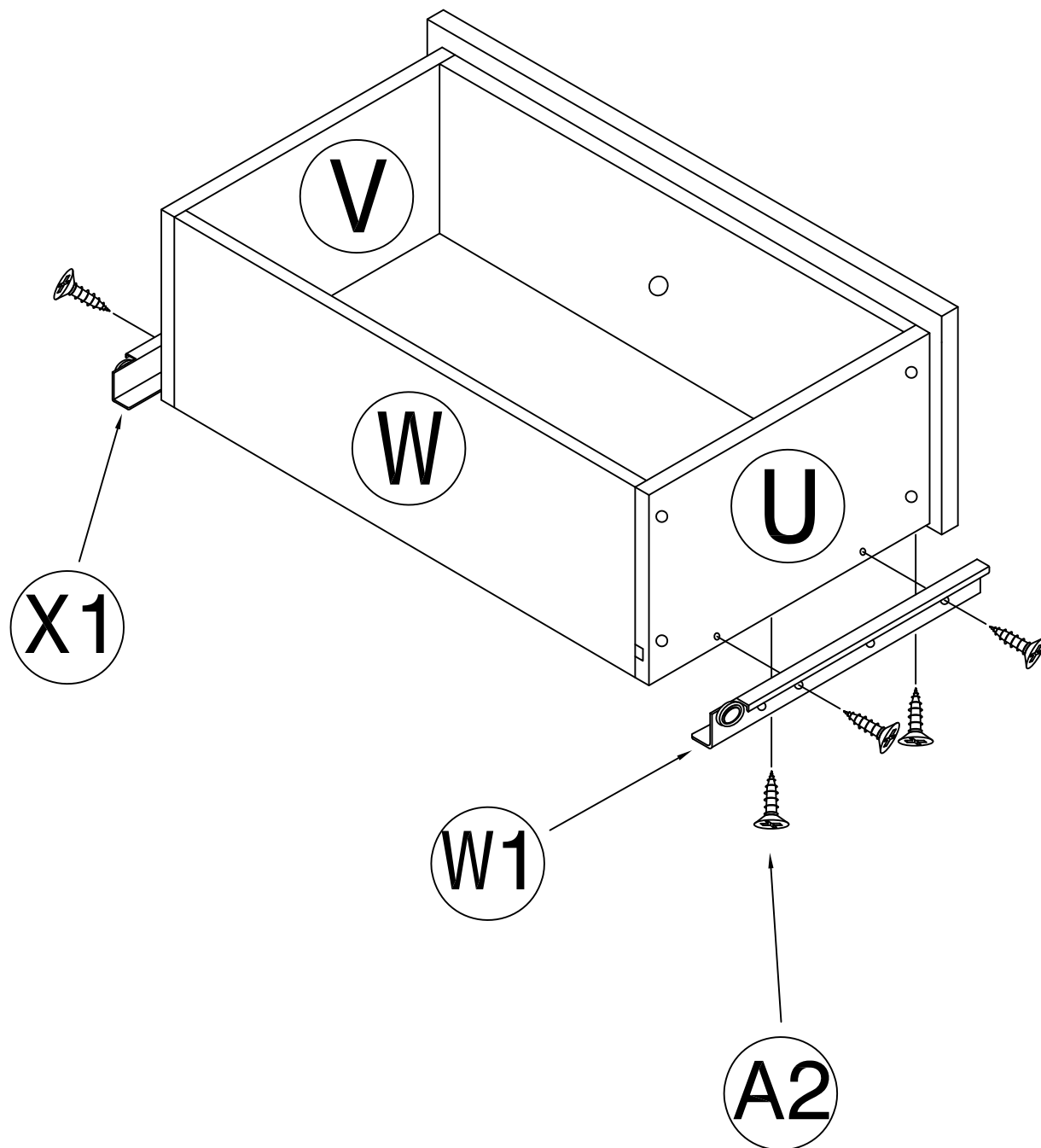
2) .ASSEMBLE THE INNER SLIDES(M1) .

- ATTACH INNER SLIDES(M1) TO BIG DRAWER PANEL SIDES(Q/P) USING 6 SCREWS(N1) .



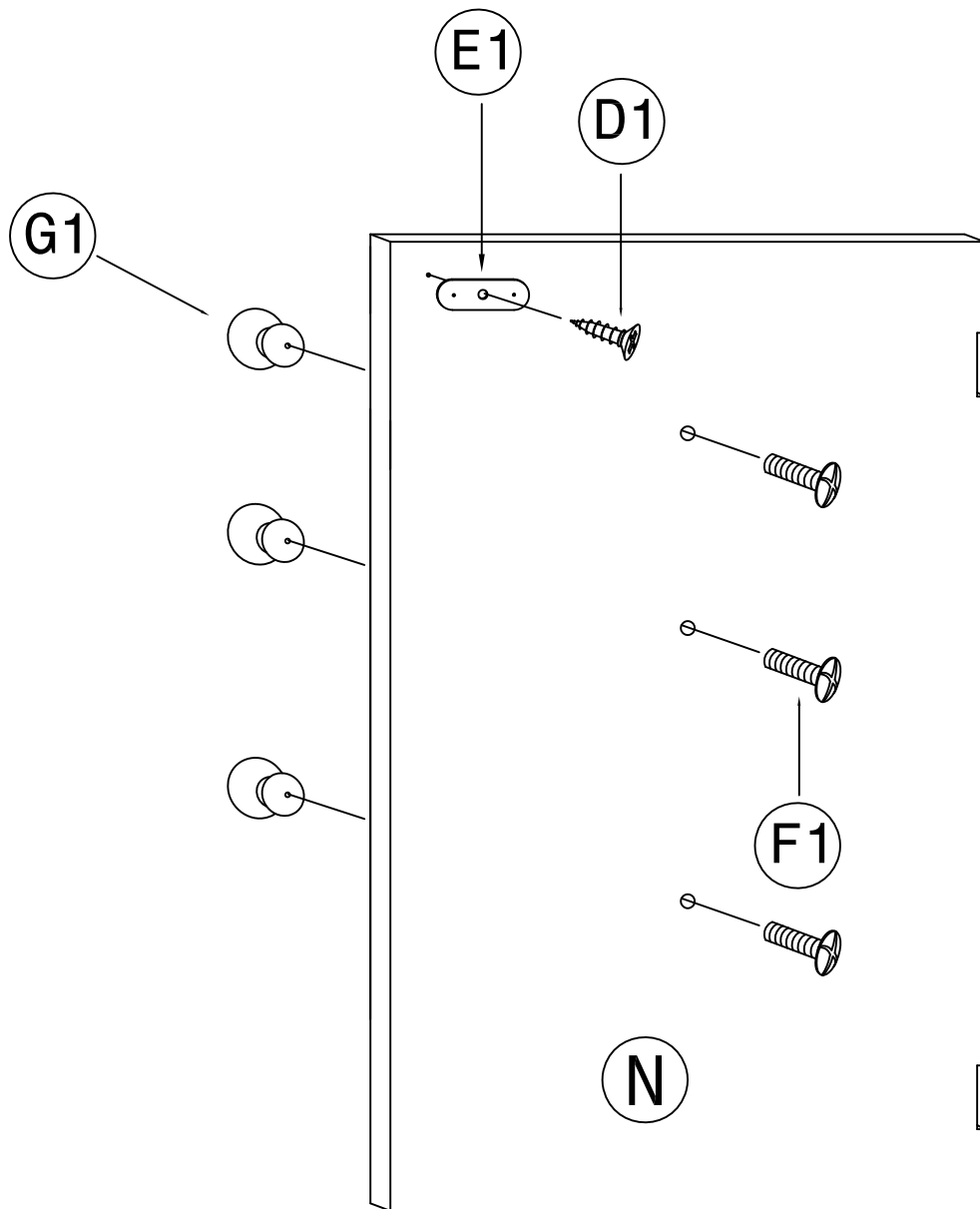
3) ASSEMBLE THE SMALL DRAWER.

- ATTACH THE DRAWER PANEL SIDES(U/V) TO DRAWER PANEL FRONT(T) USING 4 SCREWS(J1).
- ATTACH THE KNOB(G1) TO DRAWER PANEL FRONT(T) USING ONE SCREW(F1).
- INSERT THE DRAWER PANEL BOTTOM(X) INTO THE SLOTS IN THE DRAWER PANEL SIDES(V/U).
- ATTACH THE DRAWER PANEL BACK(W) TO DRAWER PANEL SIDES(V/U) USING 4 SCREWS(J1).



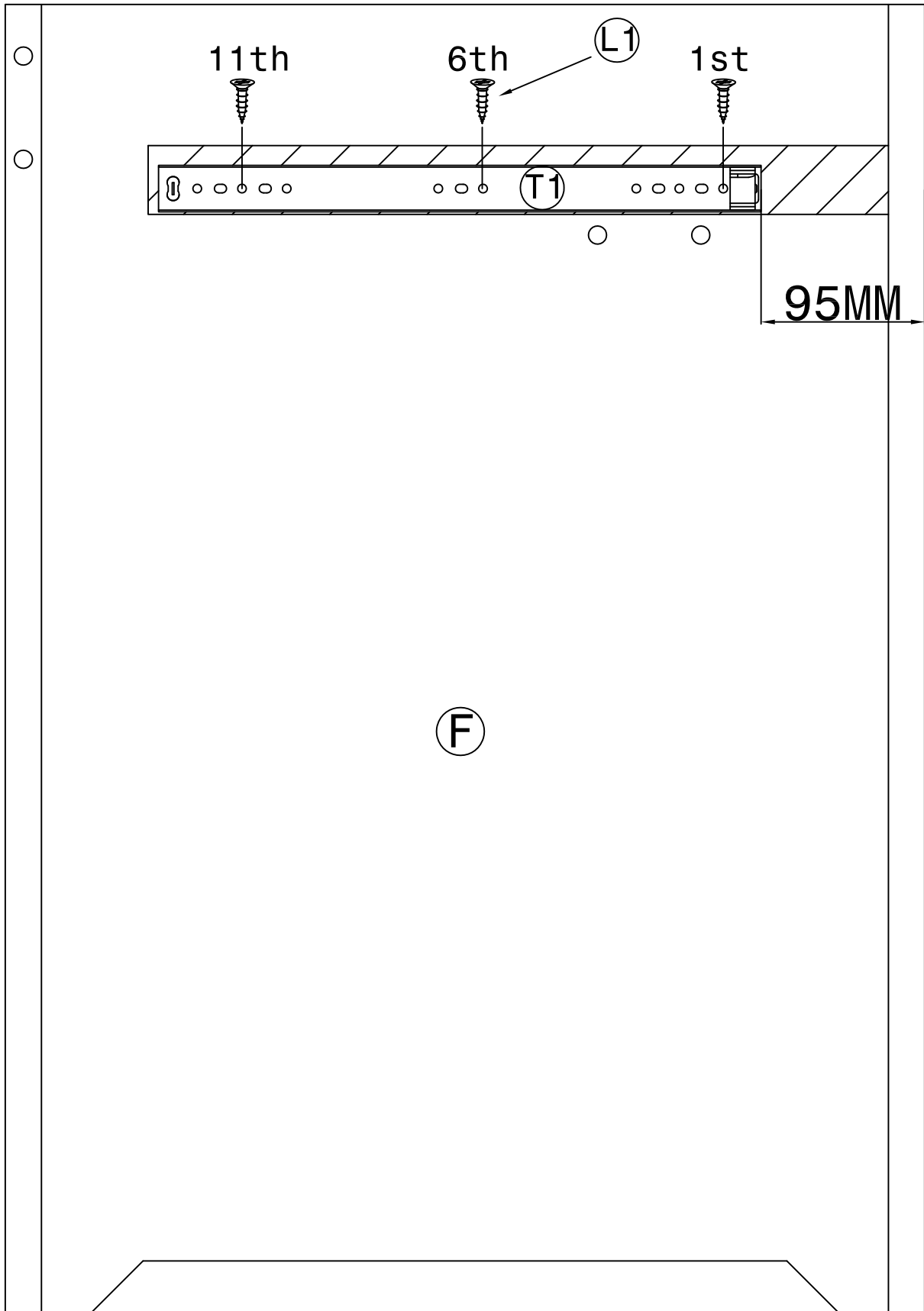
4) ASSEMBLE THE INNER SLIDES(X1/W1).

- ATTACH THE INNER SLIDERS(X1/W1) TO SMALL SIDE DRAWER PANELS(V/U) USING 8 SCREWS(A2).



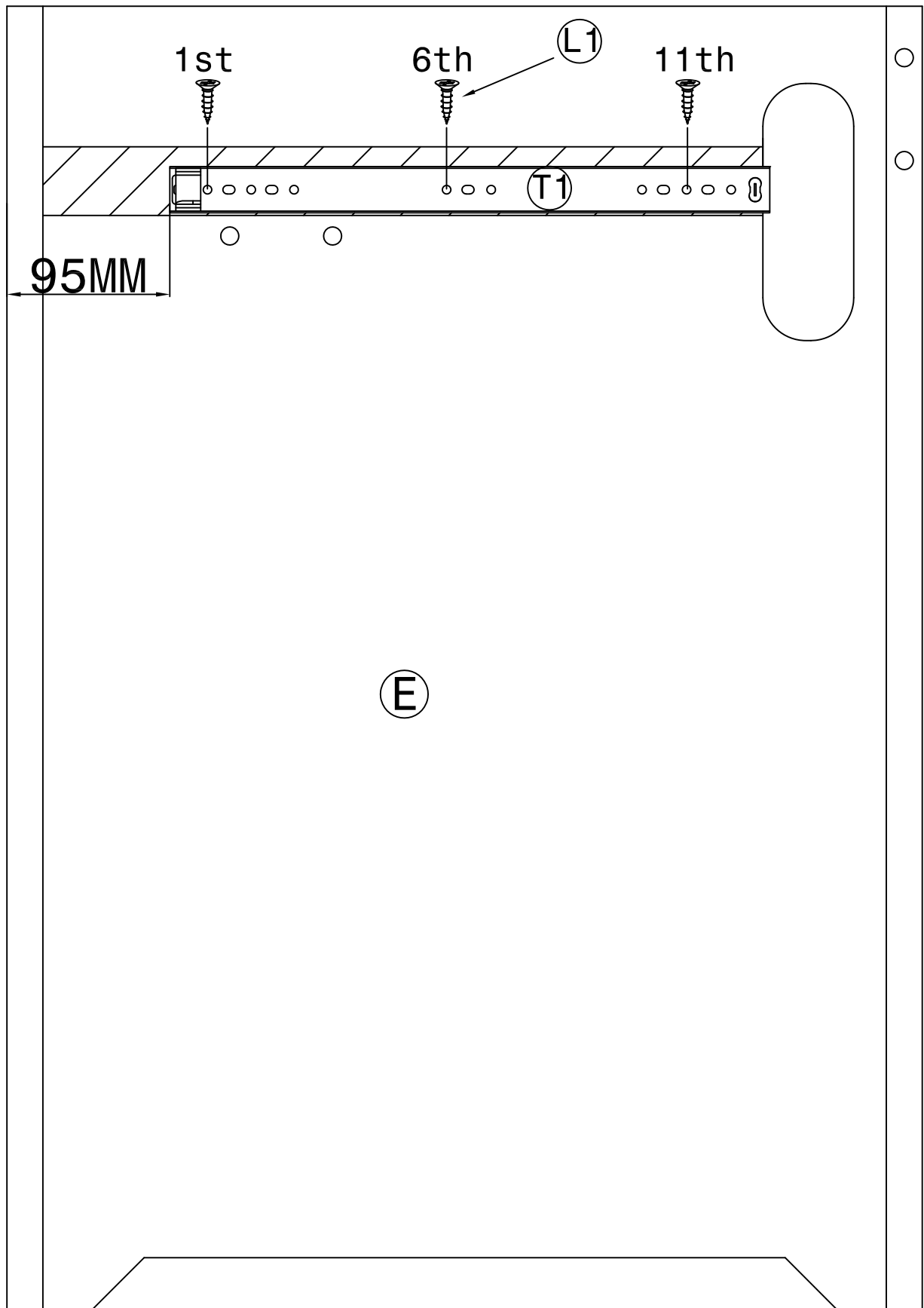
5) ASSEMBLE THE DOOR(N).

- ATTACH THE 3 KNOBS(G1) TO DOOR(N) USING 3 SCREWS(F1).
- ATTACH THE FEMALE MAGNETS(E1) TO DOOR(N) USING ONE SCREW(D1).



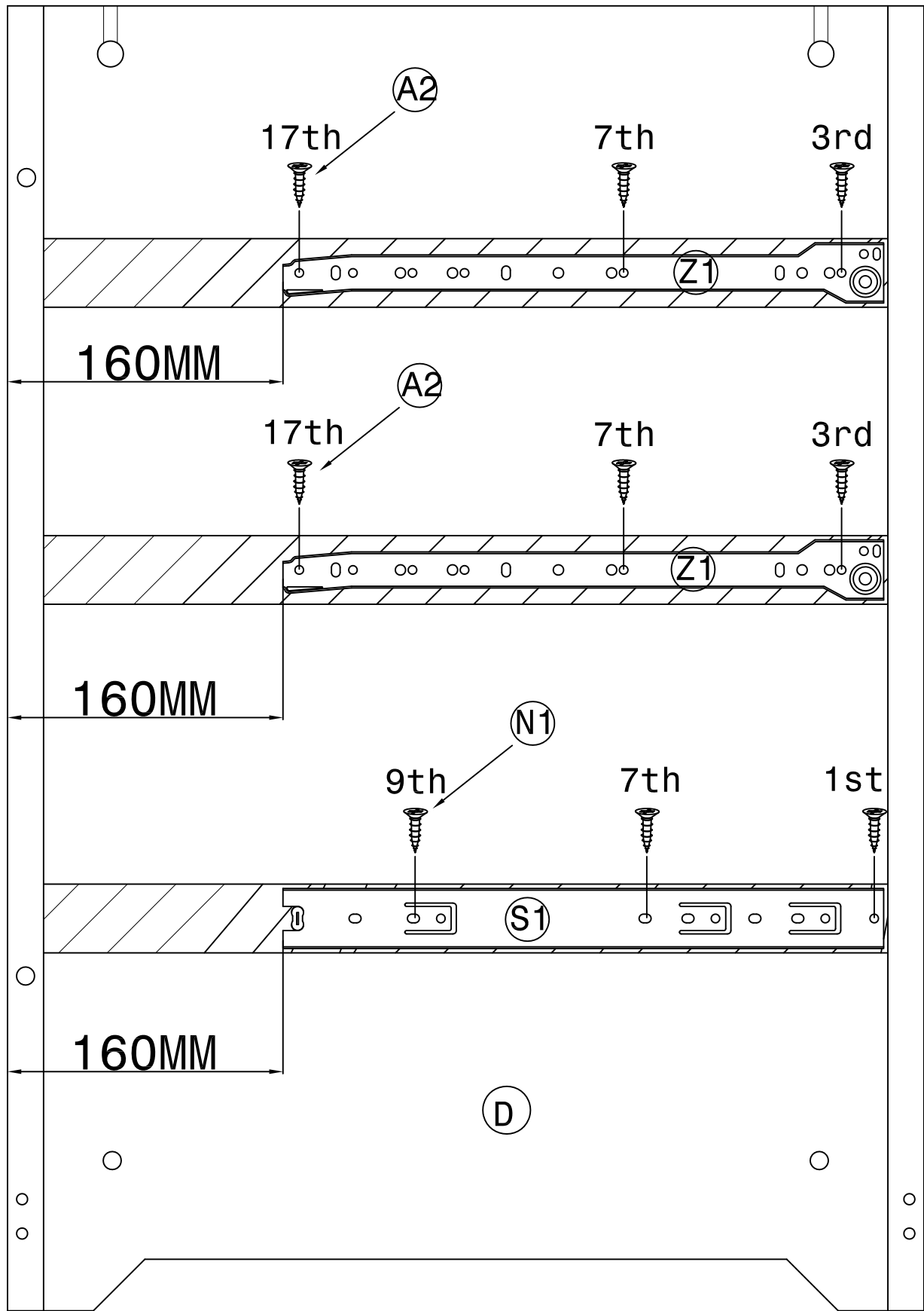
6) ASSEMBLE THE OUTER SLIDE(T1).

- ATTACH THE OUTER SLIDE(T1) TO RIGHT STAND PANEL(F) USING 3 SCREWS(L1).



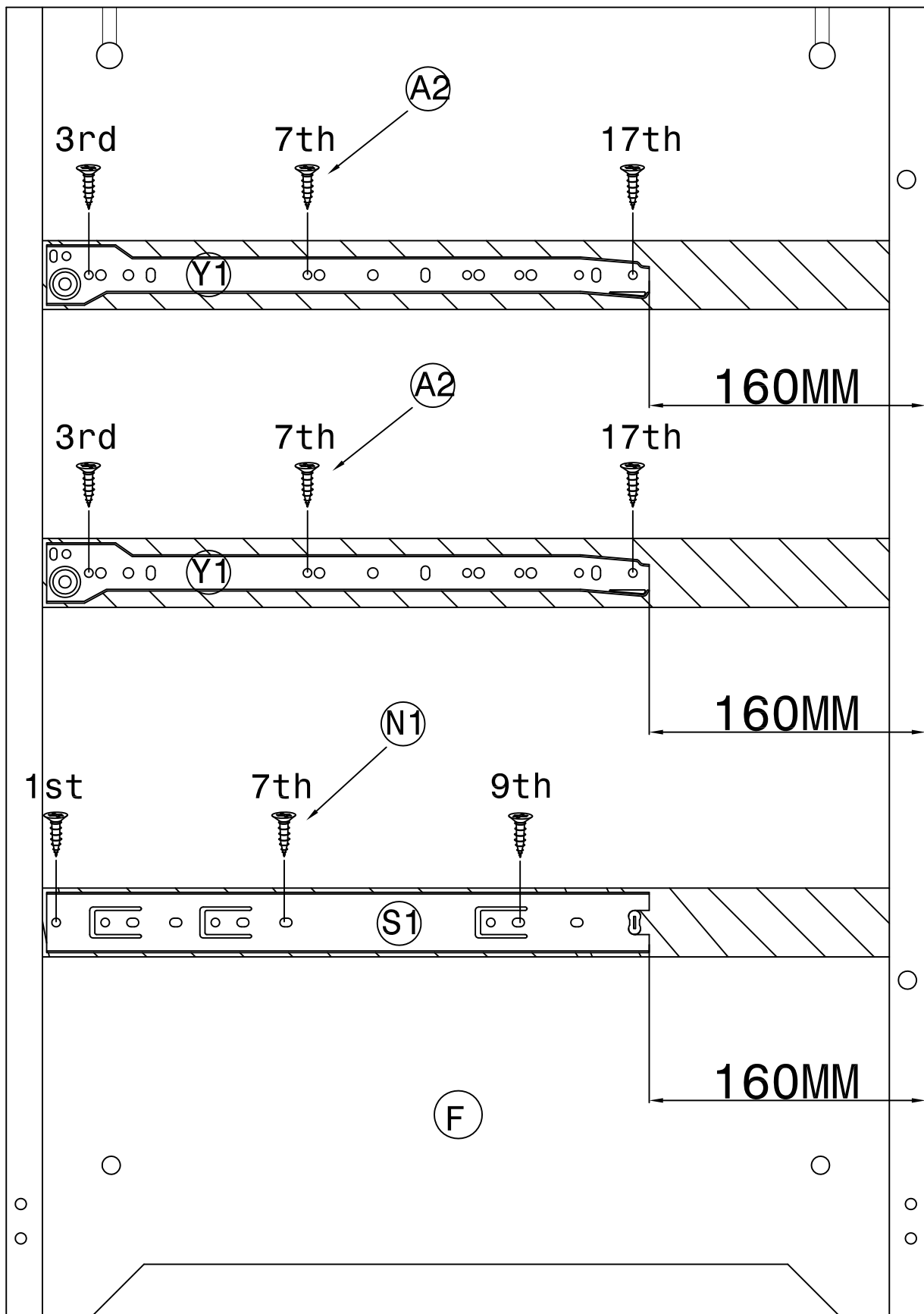
7) .ASSEMBLE THE OUTER SLIDE(T1) .

- ATTACH THE OUTER SLIDE(T1) TO LEFT STAND PANEL(E) USING 3 SCREWS(L1) .



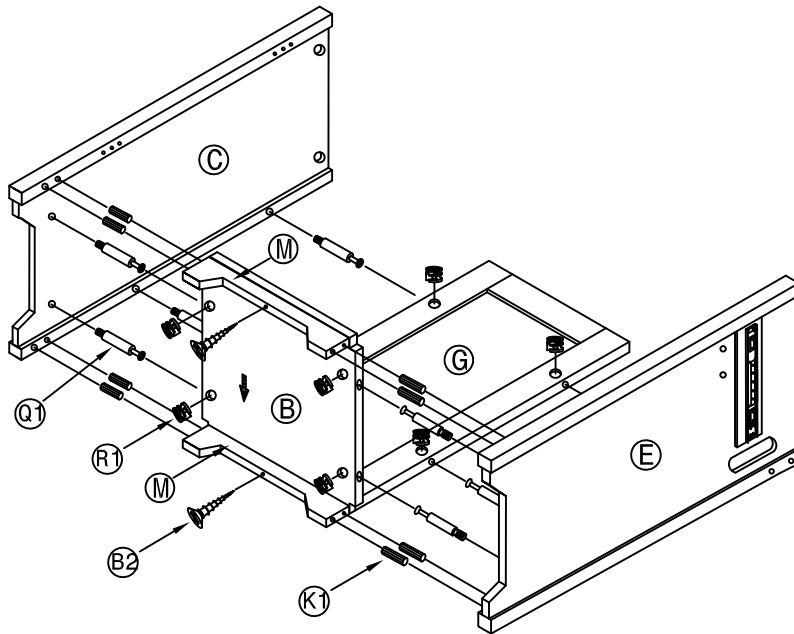
8) .ASSEMBLE THE OUTER SLIDES(S1/Z1).

- ATTACH THE OUTER SLIDE(S1) TO RIGHT SIDE PANEL(D) USING 3 SCREWS(N1).
- ATTACH THE 2 OUTER SLIDES(Z1) TO RIGHT SIDE PANEL(D) USING 6 SCREWS(A2).



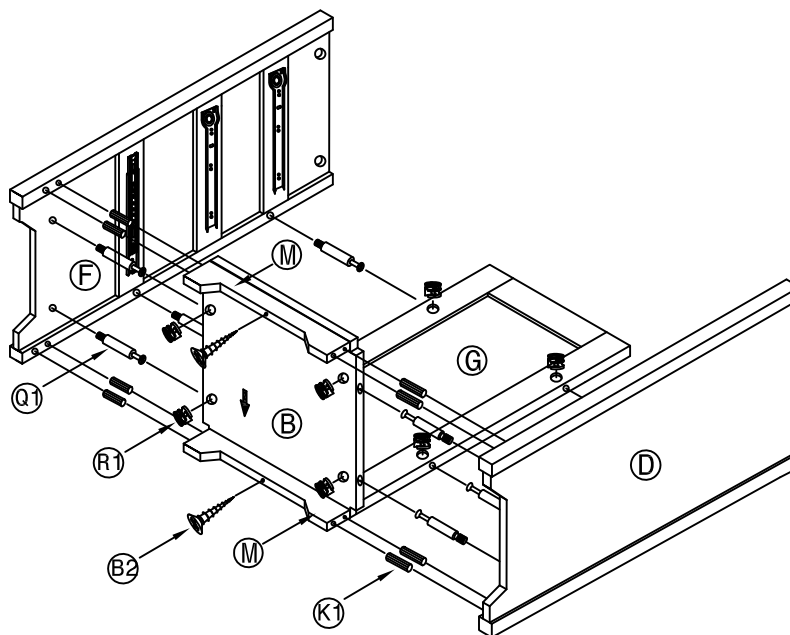
9) ASSEMBLE THE OUTER SLIDES(S1/Z1).

- ATTACH THE OUTER SLIDE(S1) TO RIGHT STAND PANEL(F) USING 3 SCREWS(N1).
- ATTACH THE 2 OUTER SLIDES(Z1) TO RIGHT STAND PANEL(F) USING 6 SCREWS(A2).



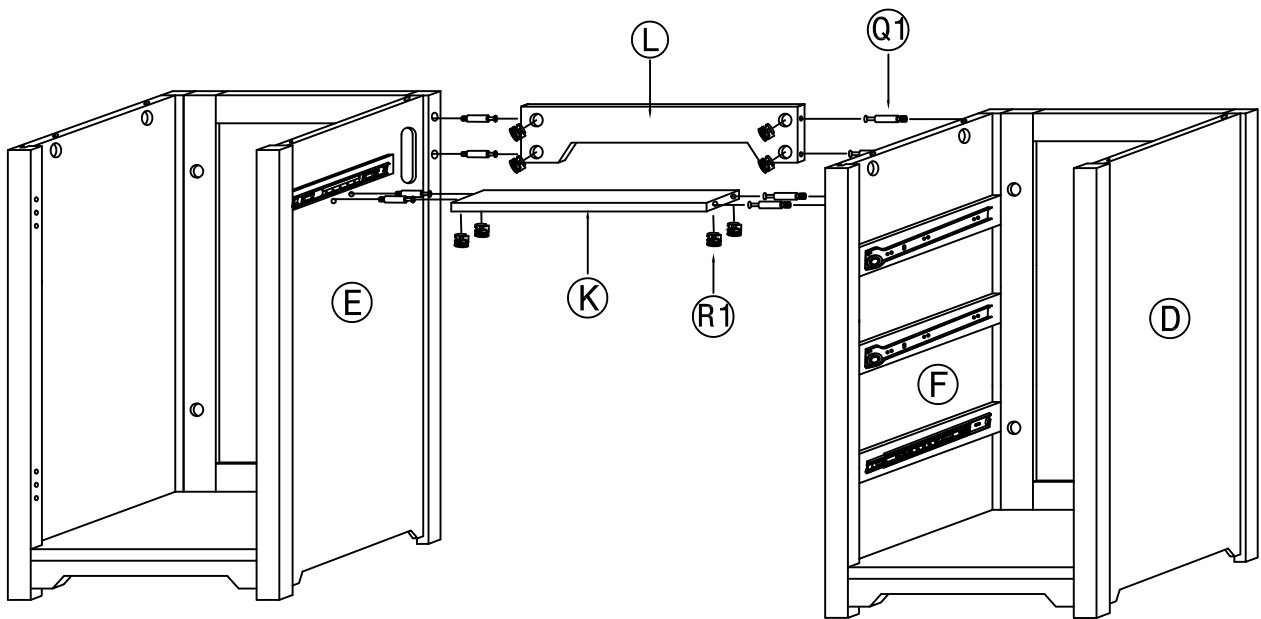
10) .ASSEMBLE LEFT SIDE/STAND PANEL (C/E) .

- ATTACH THE 2 LOW PANELS(M) TO BOTTOM PANEL (B) USING 2 SCREWS(B2) .
- INSERT THE 8 DOWELS(K1) INTO THE HOLES IN THE LOW PANELS(M) .
- ROTATE THE 8 CAM-BOLTS(Q1) INTO THE HOLES IN THE LEFT SIDE/STAND PANEL (C/E) .
- PLACE CAM-BOLTS(Q1) INTO THE HOLES IN THE PANELS(B/G) AND ATTACH USING CAM-LOCKS(R1) .



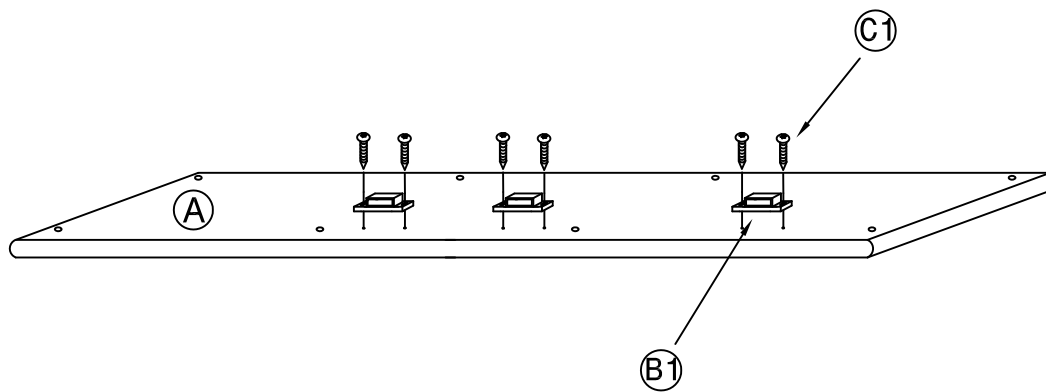
11) .ASSEMBLE RIGHT SIDE/STAND PANEL (D/F) .

- ATTACH THE 2 LOW PANELS(M) TO BOTTOM PANEL (B) USING 2 SCREWS(B2) .
- INSERT THE 8 DOWELS(K1) INTO THE HOLES IN THE LOW PANELS(M) .
- ROTATE THE 8 CAM-BOLTS(Q1) INTO THE HOLES IN THE RIGHT SIDE/STAND PANEL (D/F) .
- PLACE CAM-BOLTS(Q1) INTO THE HOLES IN THE PANELS(B/G) AND ATTACH USING CAM-LOCKS(R1) .



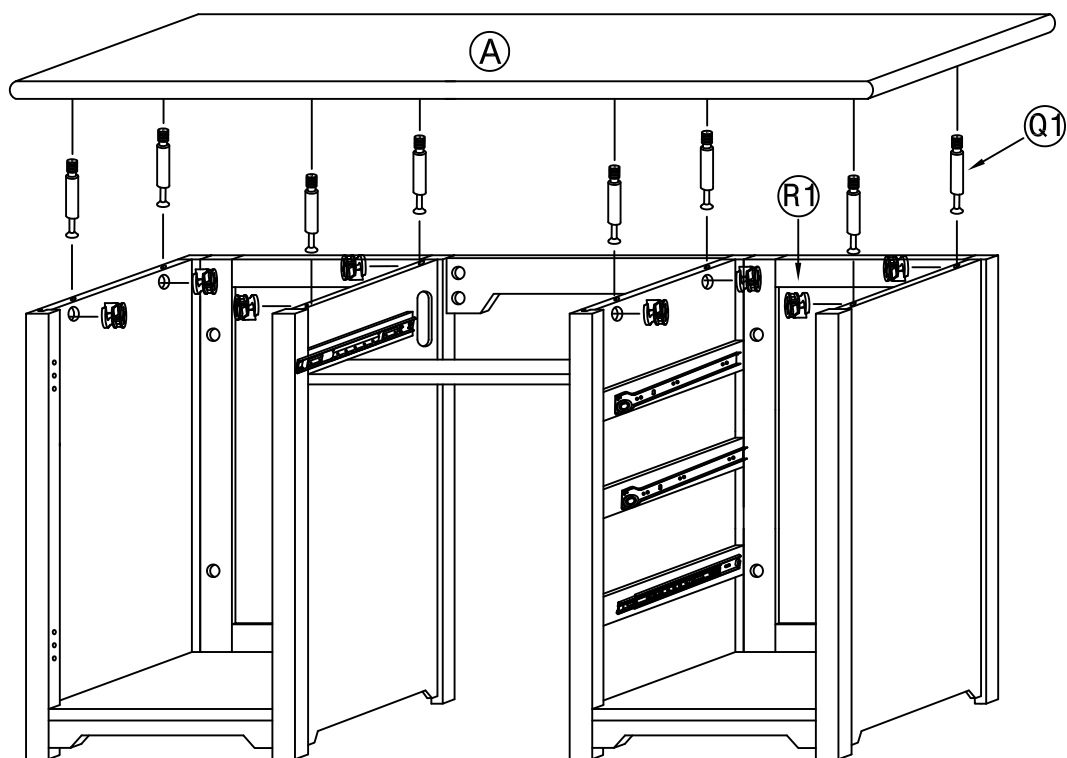
12) .ASSEMBLE THE ACROSS PANEL(K/L) .

- ROTATE THE 8 CAM-BOLTS(Q1) INTO THE HOLES IN THE STAND PANELS(E/F) .
- PLACE THE CAM-BOLTS(Q1) INTO THE HOLES IN THE PANELS(L/K) AND ATTACH USING CAM-LOCKS(R1) .



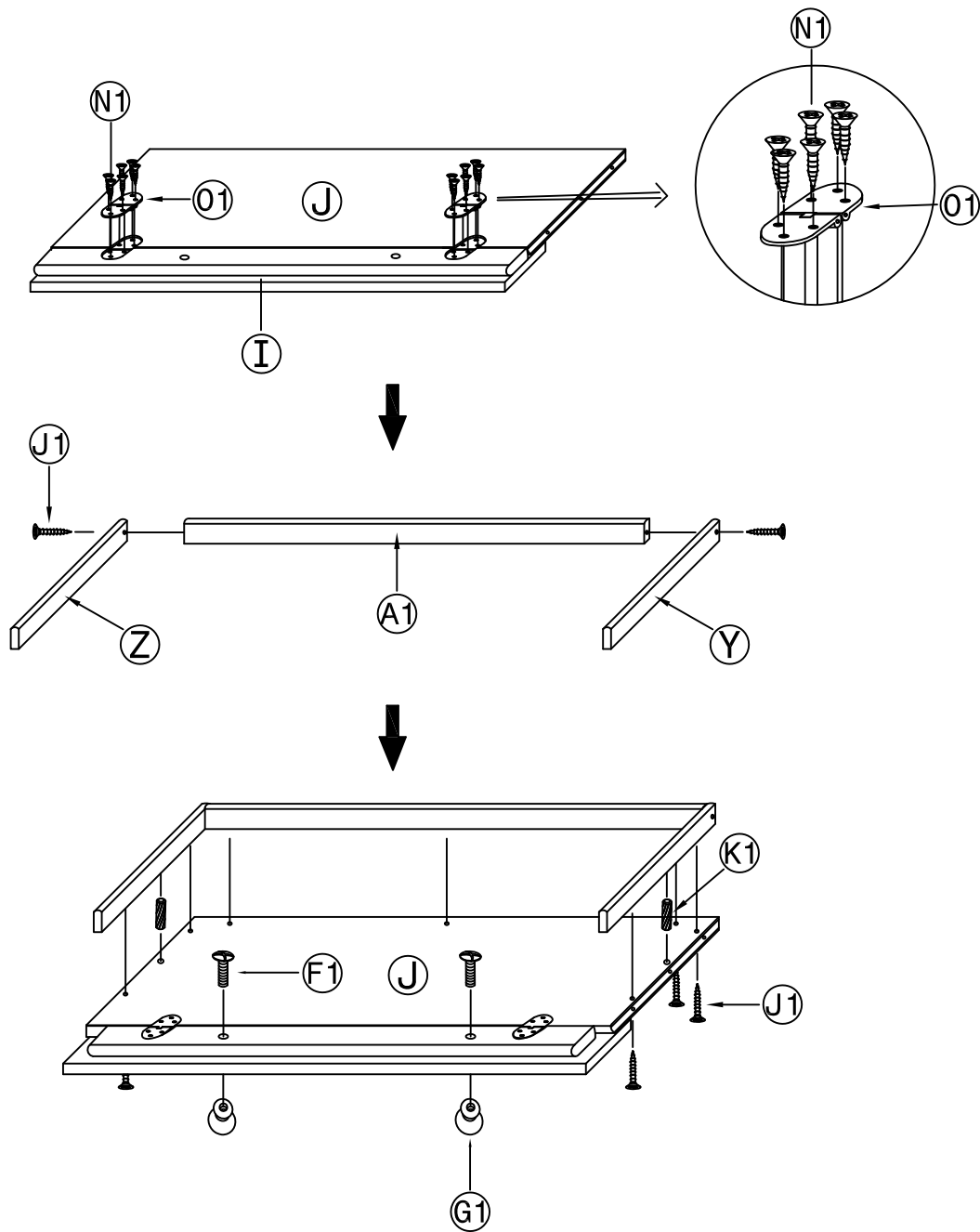
13) ASSEMBLE THE SMALL MAGNETS(B1) .

- ATTACH THE 3 SMALL MAGNETS(B1) TO TOP PANEL(A) USING 6 SCREWS(C1) .



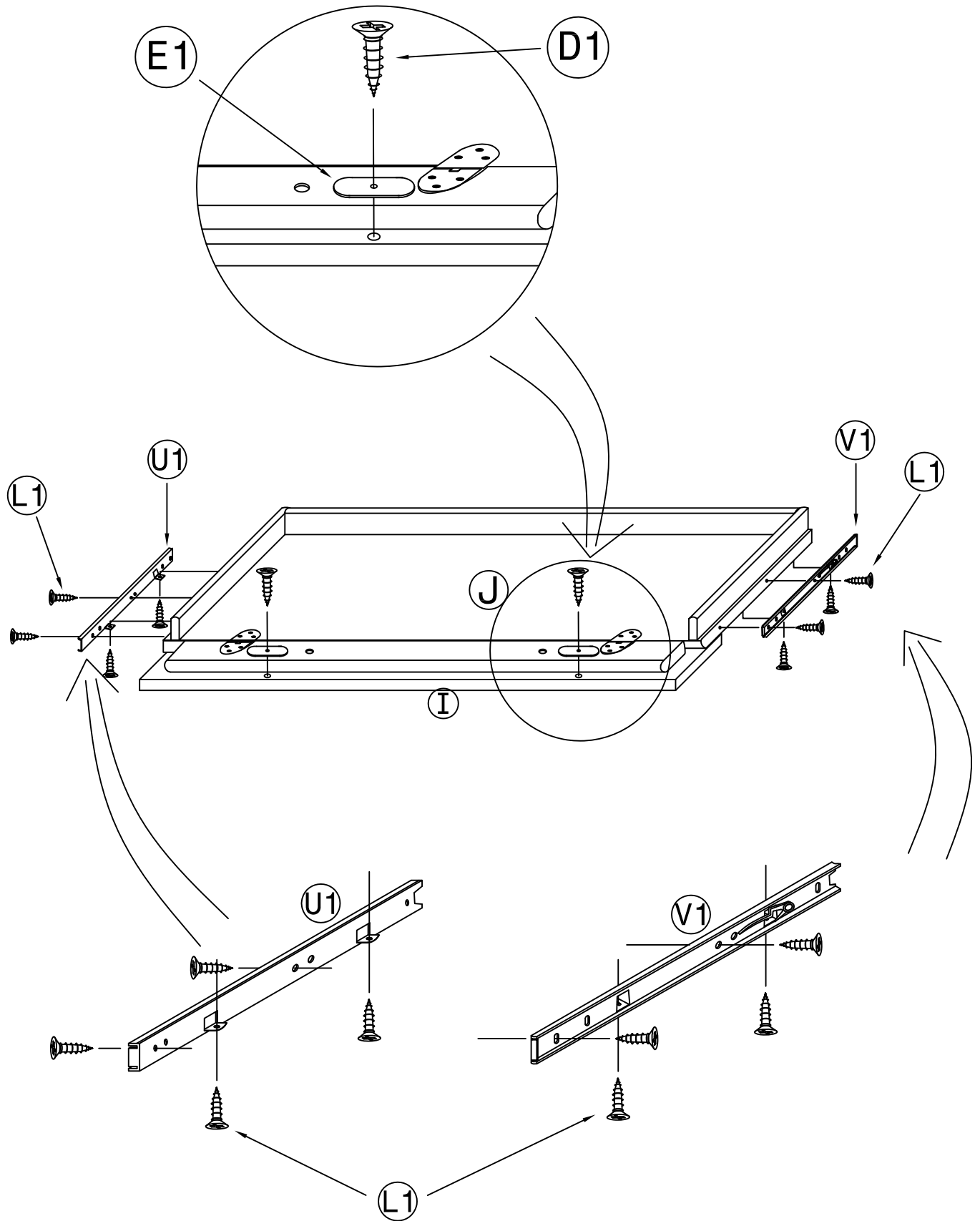
14) ASSEMBLE THE TOP PANEL(A) .

- ROTATE THE 8 CAM-BOLTS(Q1) INTO THE HOLES IN THE TOP PANEL(A) .
- PLACE THE CAM-BOLTS(Q1) INTO THE HOLES IN THE PANELS(C/D/E/F) AND ATTACH USING 8 CAM-LOCKS(R1) .



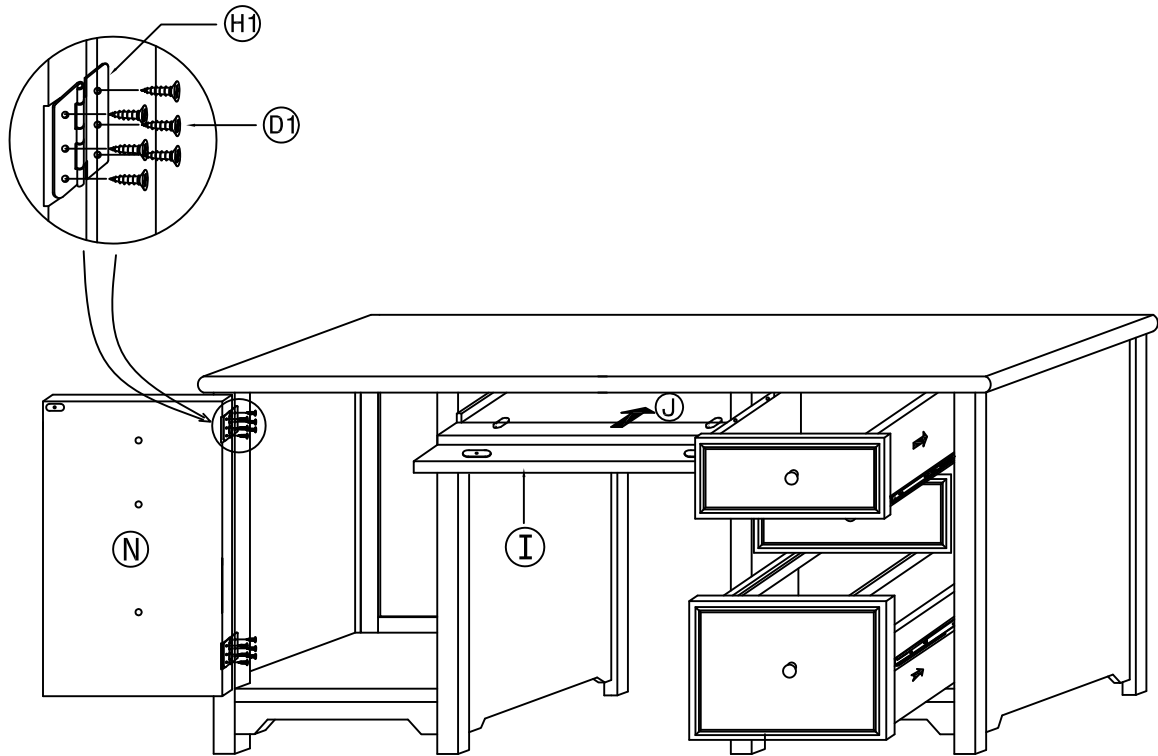
15) . ASSEMBLE THE HINGES(O1) .

- ATTACH 2 HINGES(O1) TO FRONT PANEL(I) AND KEYBOARD PANEL(J) USING 12 SCREWS(N1) .
- ATTACH THE KEYBOARD SIDE PANELS(Y/Z) TO KEYBOARD BACK PANEL(A1) USING 2 SCREWS(J1) .
- INSERT THE 2 DOWELS(K1) INTO THE HOLES IN THE KEYBOARD PANEL(J) .
- ATTACH THE KEYBOARD SIDE/BACK PANEL(Y/Z/A1) TO KEYBOARD PANEL(J) USING 7 SCREWS(J1) .
- ATTACH THE 2 KNOBS(G1) TO FRONT PANEL(I) USING 2 SCREWS(F1) .



16) .ASSEMBLE THE INNER SLIDES(U1/V1) AND FEMALE MAGNETS(E1) .

- ATTACH INNER SLIDERS(U1/V1) TO THE KEYBOARD PANEL(J) USING 8 SCREWS(L1) .
- ATTACH THE 2 FEMALE MAGNETS(E1) TO FRONT PANEL(I) USING 2 SCREWS(D1) .



17) . ASSEMBLE THE DOOR(N) .

- ATTACH THE HINGES(H1) TO LEFT SIDE PANEL(C) AND THE DOOR(N) USING 12 SCREWS(D1) .
- SLIDE THE KEYBOARD PANEL(J) AND 3 DRAWERS INTO THE SLIDERS-OUTS.