

## FEATURES

- 6-Function Handshower
- 4.5" Spray face
- 1/2-14NPSM Connection
- 1.8 GPM Flow Rate
- Easy Installation

## CODE COMPLIANCE

- ASME A112.18.1 / CSA B125.1
- EPA WaterSense Certified

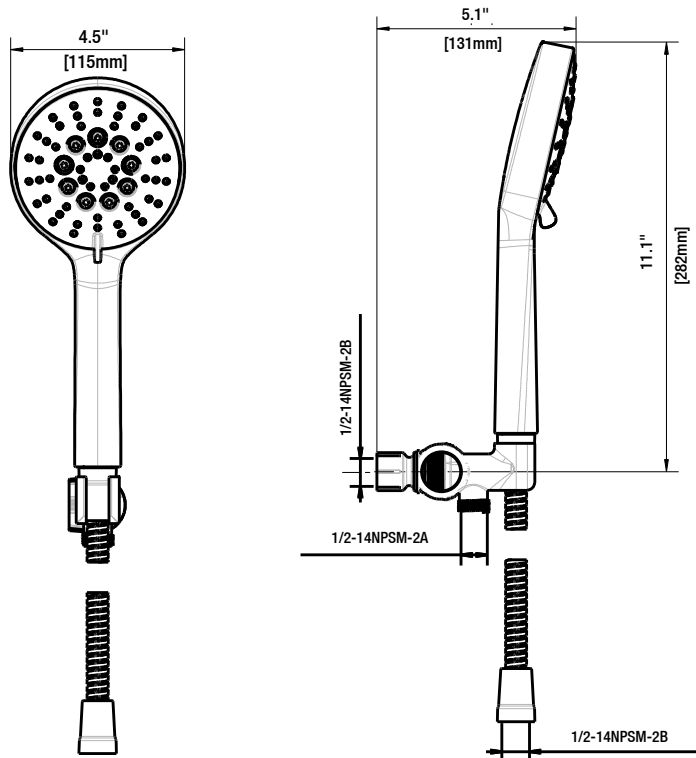
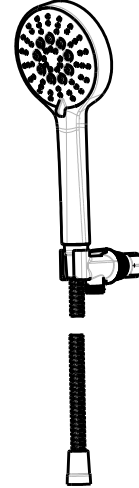


## WARRANTY

- Limited Lifetime Warranty

### Modern 6-Function Handshower Kit

| MODEL        | SKU #      | FINISH             |
|--------------|------------|--------------------|
| HD58303-2401 | 1002883109 | Chrome             |
| HD58303-2404 | 1002883091 | Brushed Nickel PVD |



## INSTALLATION DIMENSIONS

Glacier Bay reserves the right to make changes in specifications and materials and to change and discontinue models, both without notice or obligation. Dimensions are for reference only.