

HOME
DECORATORS
COLLECTION

Item # 1002 558 569
Model # 181-935-11UMB

USE AND CARE GUIDE

RICHMOND HILL 11 FT. 8 RIB MARKET UMBRELLA



Questions, problems, missing parts? Before returning to the store,
call Home Decorators Collection Customer Service
8.00 a.m. - 6.00 p.m., EST, Monday - Friday

1-800-998-7021

HOMEDECORATORS.COM

THANK YOU

We appreciate the trust and confidence you have placed in Home Decorators Collection through the purchase of this umbrella. We strive to continually create quality products designed to enhance your home. Visit us online to see our full line of products available for your home improvement needs. Thank you for choosing Home Decorators Collection.

Table of Contents

Table of Contents.....	2	Pre-Assembly	3
Safety Information.....	2	Planning Assembly	3
Warranty.....	2	Package Contents	4
5 Year Frame / 2 Year Fabric Limited Warranty.....	2	Assembly	5
What Is Covered	2	Operation	6
What Is Not Covered	2		
Care Instructions.....	2		

Safety Information



DANGER: Please keep children out of the assembly area before assembly.



WARNING: Mind your fingers while switching the tilt or rotating the knob.



CAUTION: Use the umbrella in an umbrella base only.



IMPORTANT: Please tighten the umbrella pole before use.

Warranty

FIVE YEAR FRAME /TWO YEAR FABRIC LIMITED WARRANTY

WHAT IS COVERED

We warrant the frame to be free of manufacturing defects to the original purchaser for five years and the fabric for two years.

WHAT IS NOT COVERED

It remains the customer's responsibility for freight and packaging charges to and from our service center. This warranty does not cover commercial use, hardware, acts of nature, fire, freezing and abusive use. In addition, purchased parts are not covered under this warranty. We reserve the right to make substitutions with similar merchandise, if the model in question is no longer in production.

Care Instructions

Before using, wipe with a clean, dry cloth. Do not use bleach or solvents. Treat the frame with liquid wax for maximum protection against UV light and salty, damp air. When not in use, store furniture in a cool, dry place.

You may contact our customer service department with any questions by phone at 1-800-998-7021 or visit www.homedecorators.com.

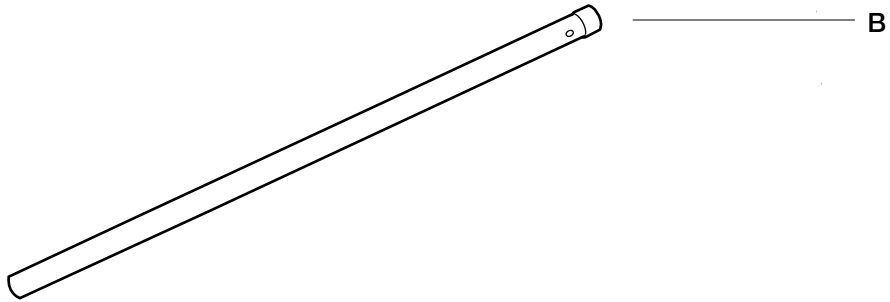
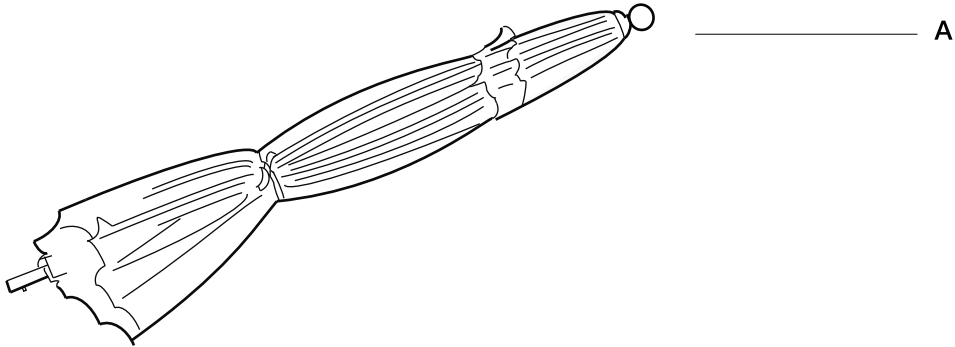
Pre-Assembly

PLANNING ASSEMBLY

It will take one person about 3 minutes to complete the assembly process.

Pre-Assembly (continued)

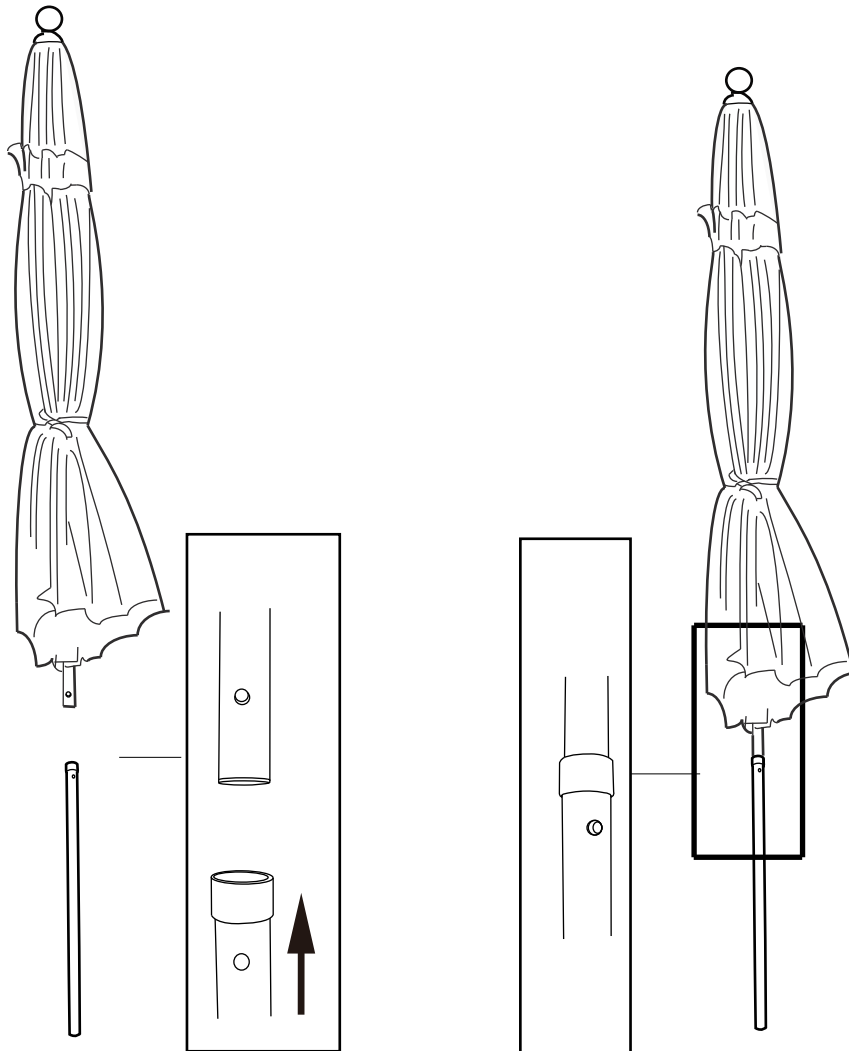
PACKAGE CONTENTS



Part	Description	Quantity
A	Umbrella	1
B	Pole	1

1 Assembling the umbrella

- Press the locking pin on the upper pole and push the lower pole upward until the locking pin can be seen on the outside of the lower pole, and an audible click is heard.



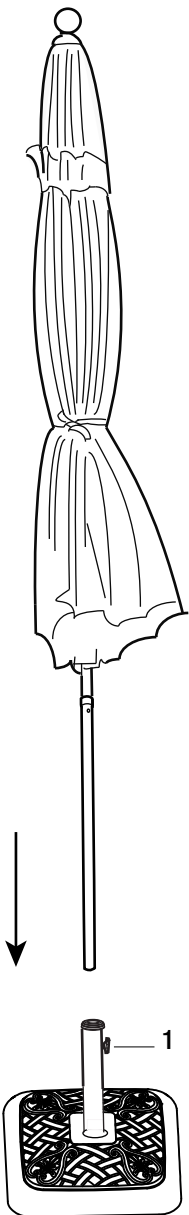
Operation

1 Setting up the umbrella

- Have an umbrella base (not included) ready on a flat surface.
- Insert the lower umbrella pole into the holder of the umbrella base. Tighten the knob (1) on the umbrella base.



WARNING: Strong wind will damage the umbrella.
Do not use the umbrella in strong wind.



2 Opening the Umbrella

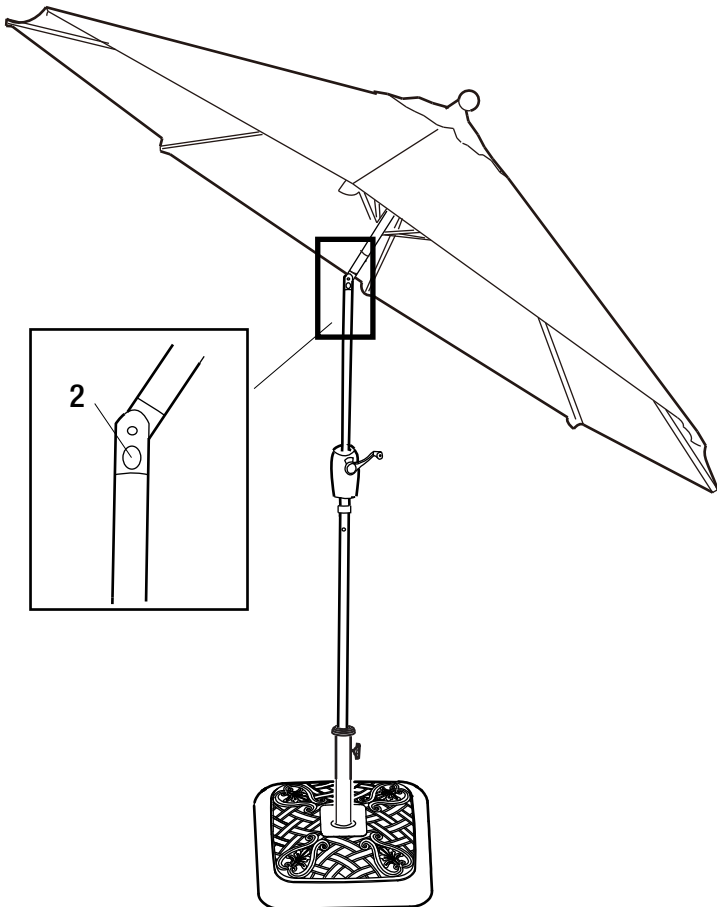
- Loosen the tie that holds the umbrella fabric in place.
- Rotate the knob on the umbrella pole in a clockwise direction to open the umbrella.



Operation (Continued)

3 Tilting the umbrella

- Tilt the umbrella by pressing the button (2).



4 Taking down the umbrella

- Restore the umbrella to upright position.
- Close the umbrella by rotating the rotation knob in a counterclockwise direction.
- Loosen the knob on the umbrella base to take the umbrella out of the umbrella base.

HOME
DECORATORS
COLLECTION

Questions, problems, missing parts? Before returning to the store,
call Home Decorators Collection Customer Service
8.00 a.m. – 6.00 p.m., EST, Monday-Friday

1-800-998-7021

HOMEDECORATORS.COM

Retain this manual for future use.