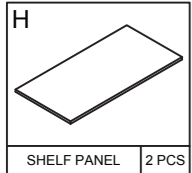
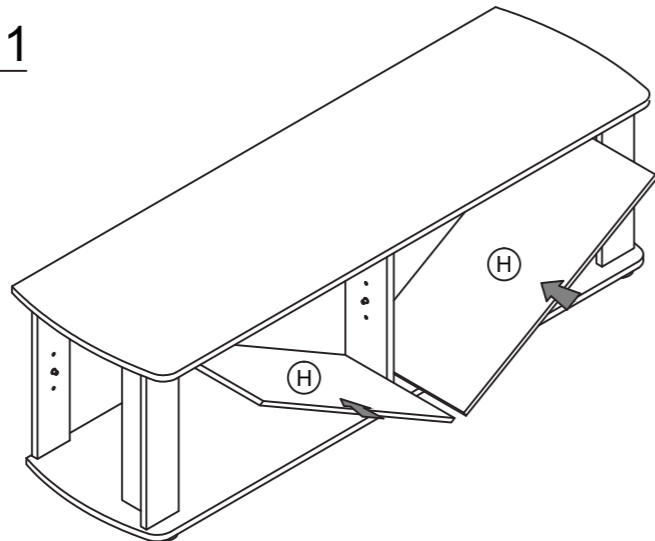


ASSEMBLED UNIT

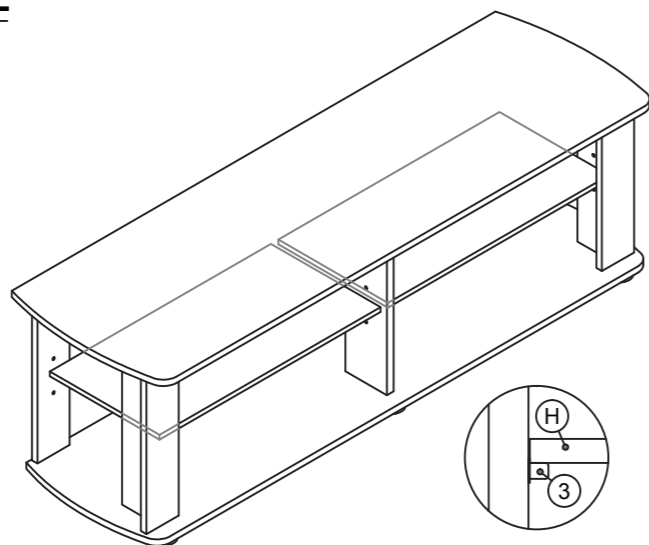


SHELF PANEL 2 PCS

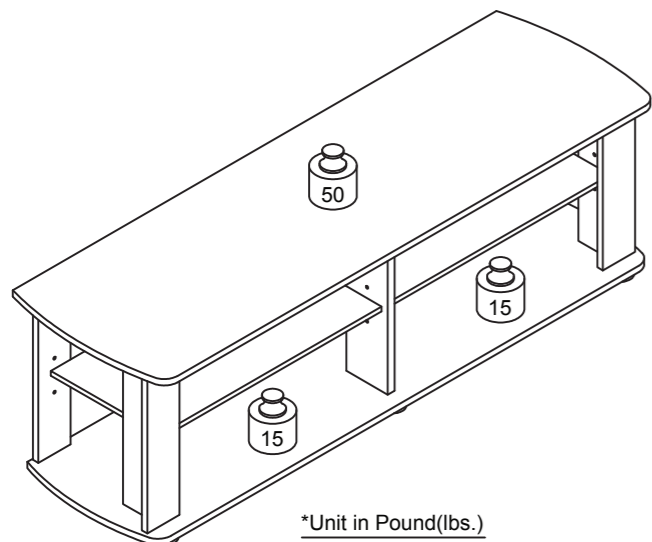
STEP 11



STEP 12



Recommended Maximum Weight



*Unit in Pound(lbs.)

WARNING:

>This unit has been designed to support the maximum loads shown. Exceeding these load limits could cause sagging, instability, product collapse, and/or serious injury.

>DO NOT allow children to climb on unit.

>Put heavier items on lower shelves.



Assembly Instruction

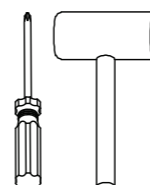
Furinno THE Entertainment Center TV Stand
MODEL : 11191

00:40

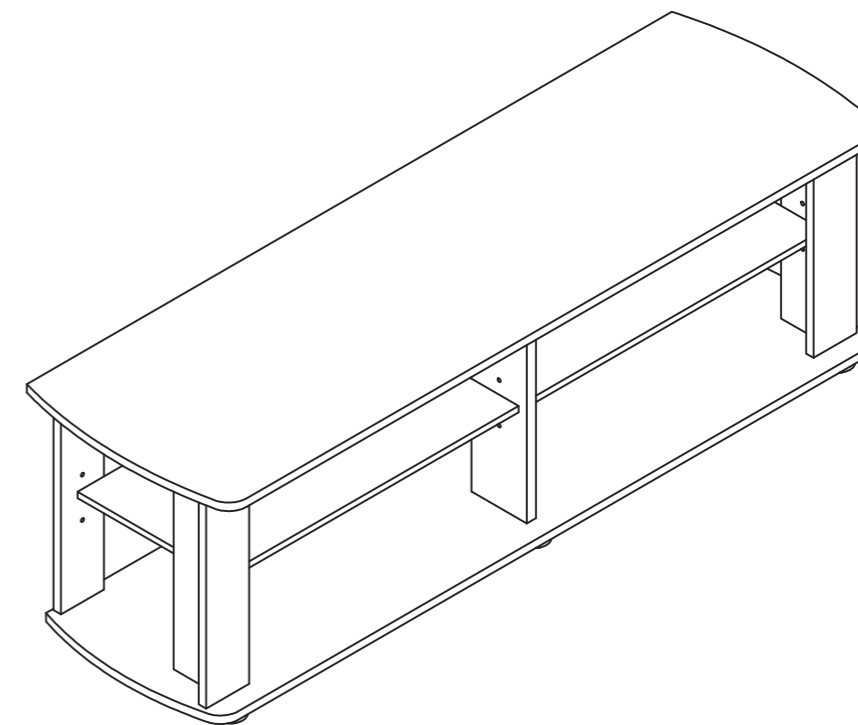
Approx. 40 minutes



Recomm. 2 Person



Tool Required



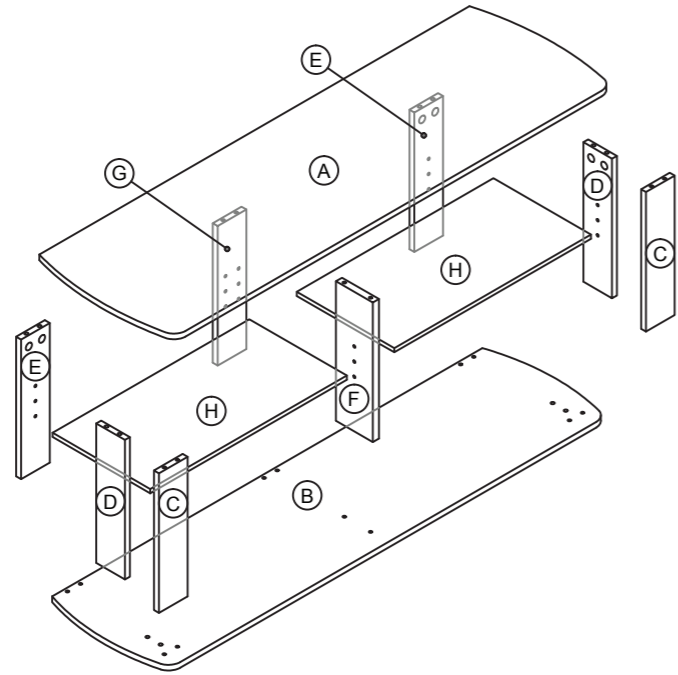
Customer Support

NEED HELP? For replacement requests or product inquiries, please contact our Customer Service Team by emailing us at support@furinno.com. Thank you for selecting Furinno!

www.furinno.com



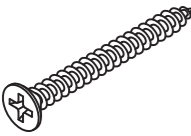
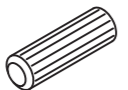

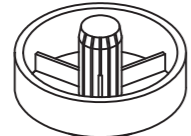
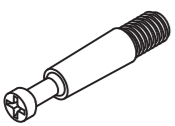

EXPLODED VIEW



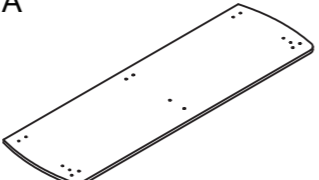
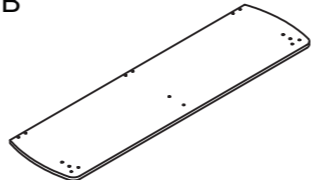
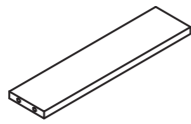
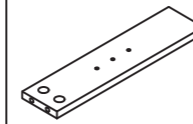
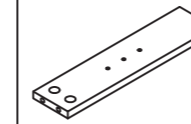
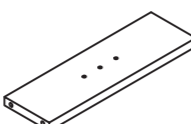
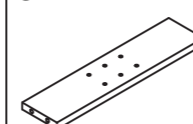
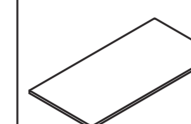
USEFUL HINTS BEFORE YOU START:

1. Read each step carefully before starting.
2. It is important that each step is performed in correct order to avoid difficulties.
3. Identify, sort and count the parts before assembly.
4. Assemble your furniture on packaging cardboard to prevent scratch or damage.
5. Clean the product with mild cleanser using soft damp cloth. Do not use harsh or abrasive cleanser.
6. Using incompatible hardware might cause damage to product.

HARDWARE LIST

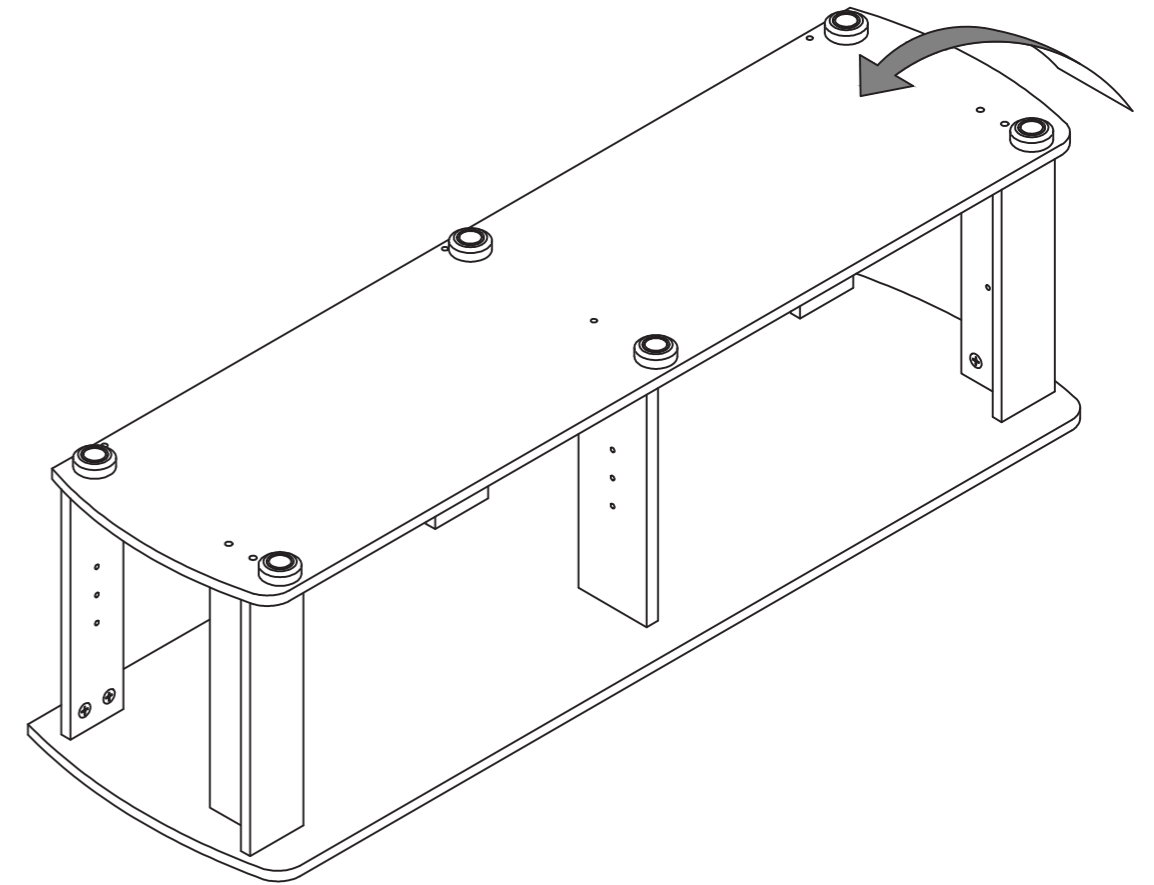
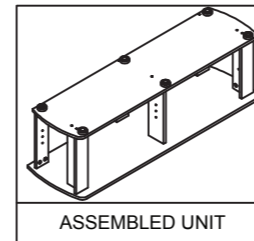
1		2	
SCREW	12 PCS	DOWEL	12 PCS
3		4	
SHELF SUPPORT	8 PCS	PVC ROUND LEG	6 PCS
5		6	
CAM-LOCK SCREW	8 PCS	CAM-LOCK NUT	8 PCS

PARTS LIST

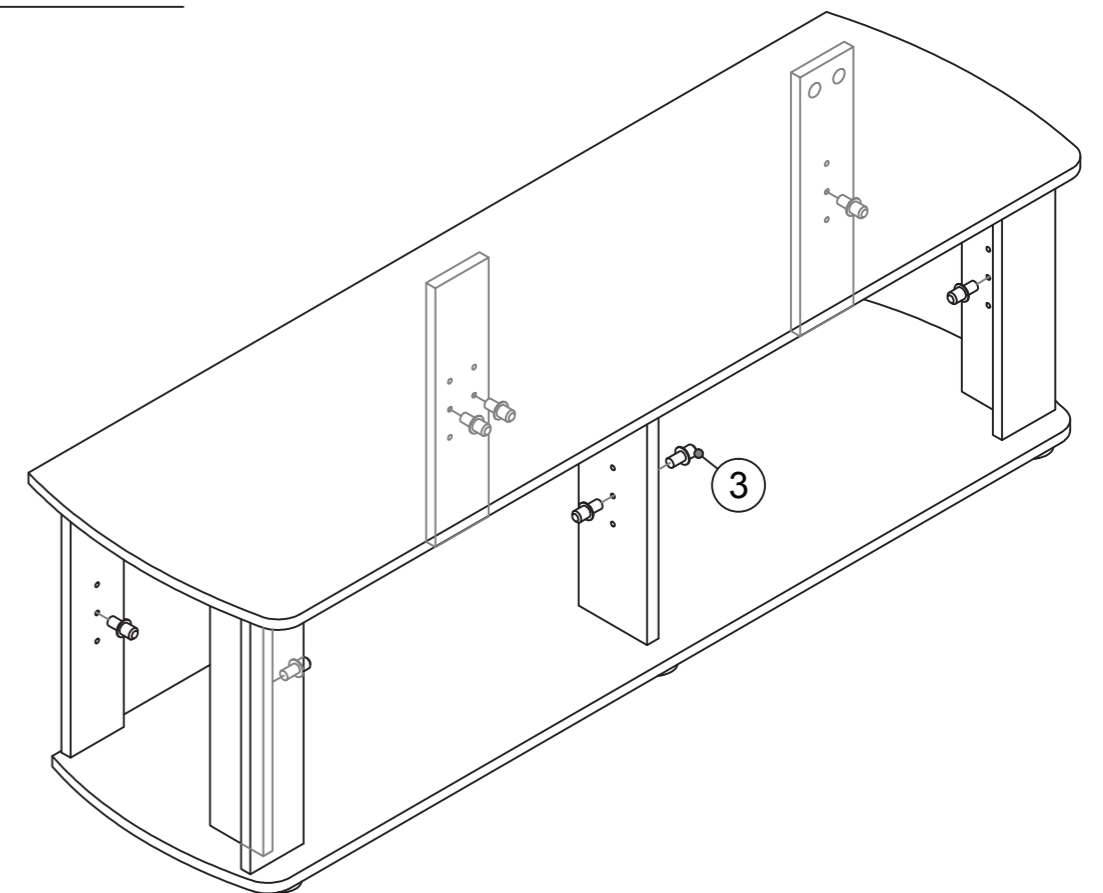
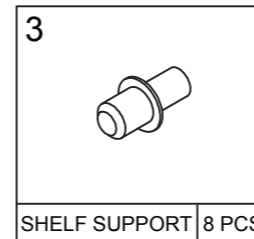
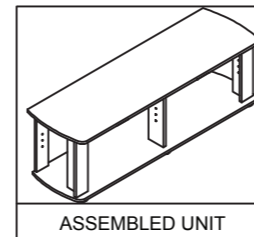
A		B			
TOP PANEL	1 PC	BOTTOM PANEL	1 PC		
C		D		E	
FRONT PANEL	2 PCS	SIDE PANEL	2 PCS	BACK PANEL	2 PCS
F		G		H	
CENTER PANEL	1 PC	CENTER BACK PANEL	1 PC	SHELF PANEL	2 PCS

STEP 9

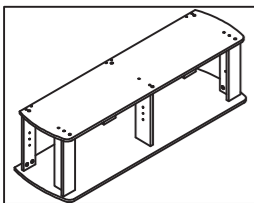
TURN 180°



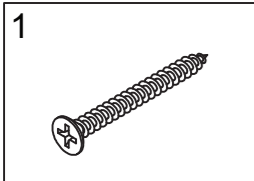
STEP 10



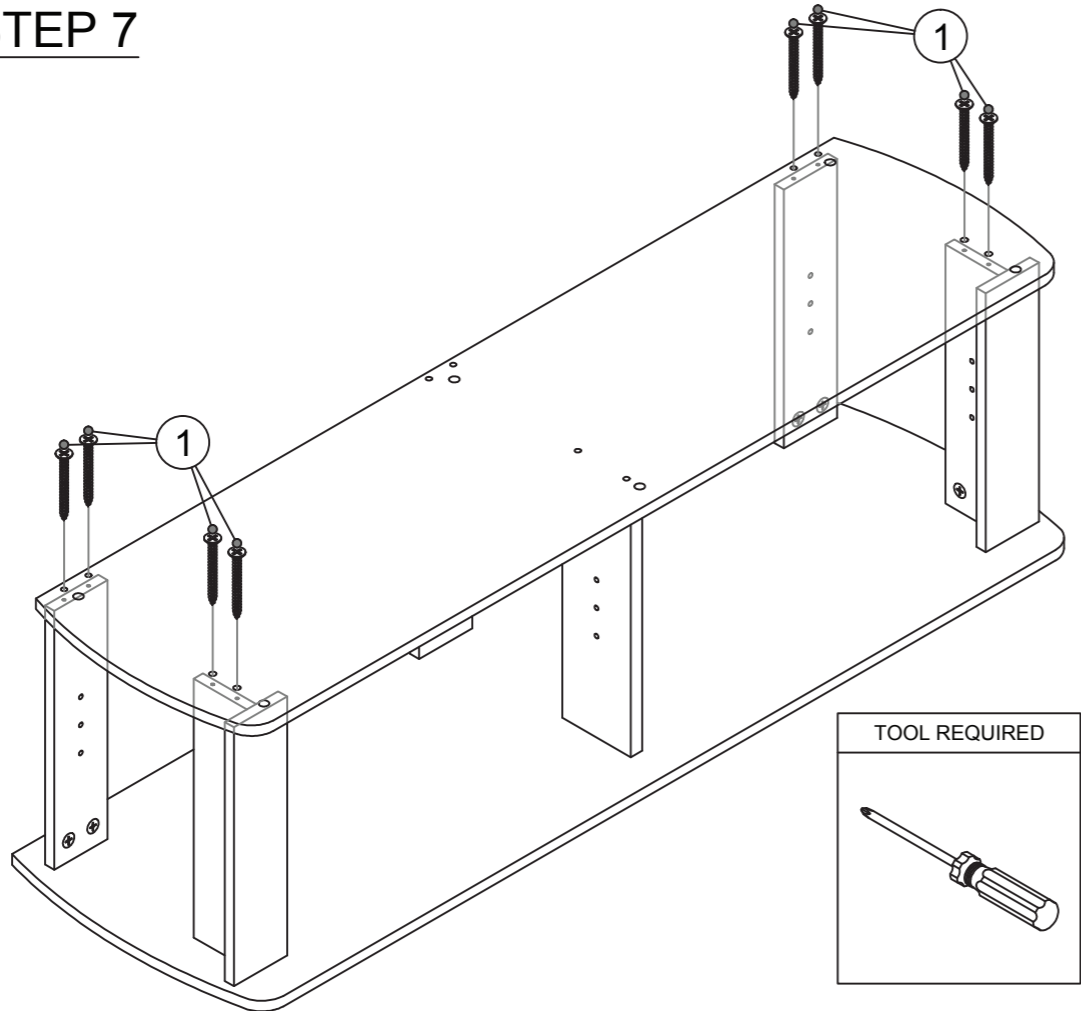
STEP 7



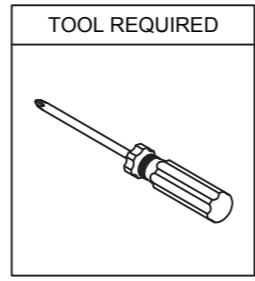
ASSEMBLED UNIT



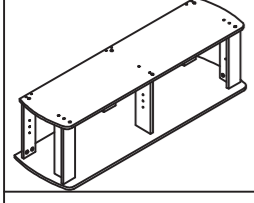
1
SCREW 8 PCS



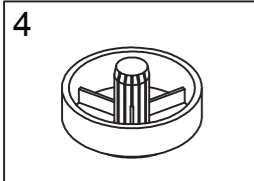
TOOL REQUIRED



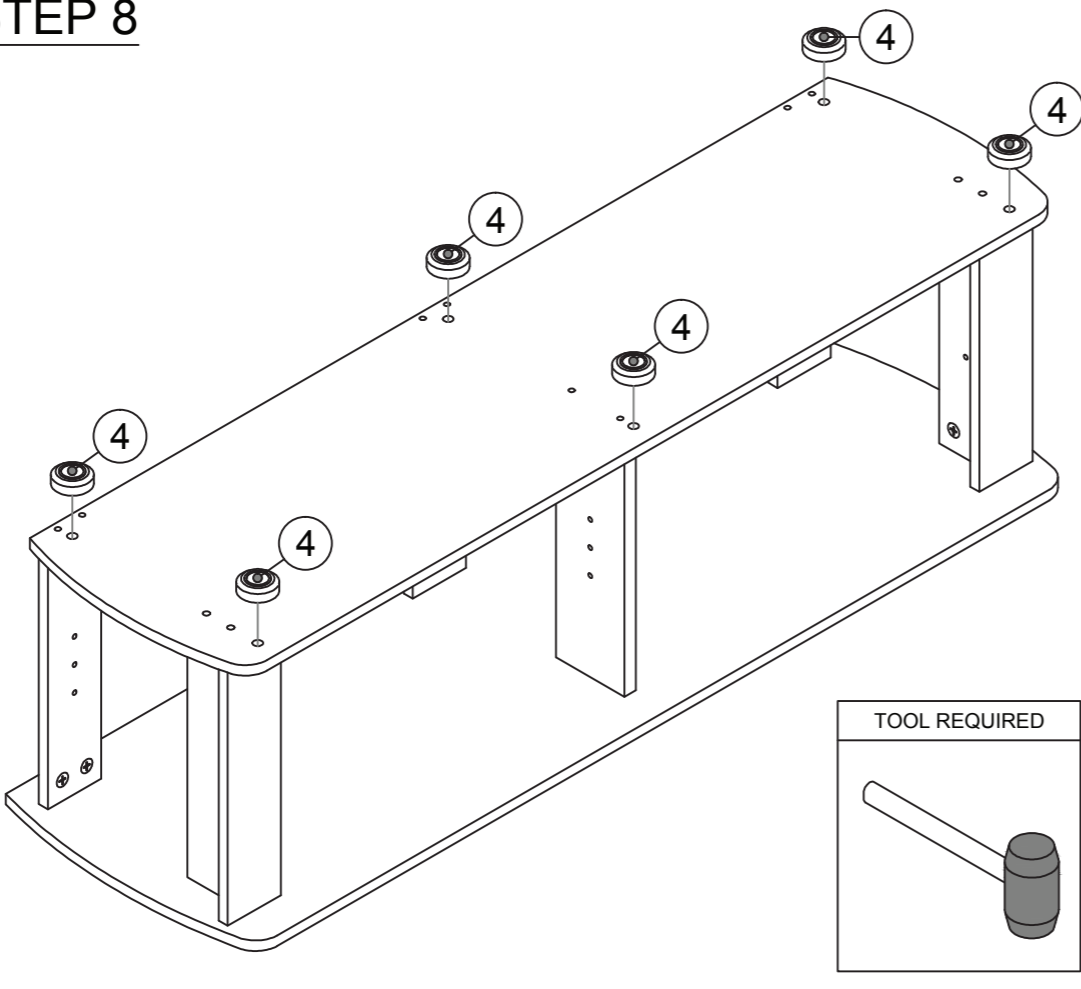
STEP 8



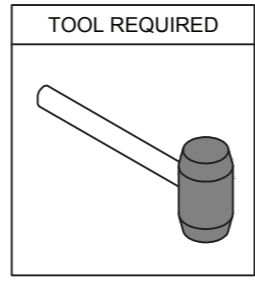
ASSEMBLED UNIT



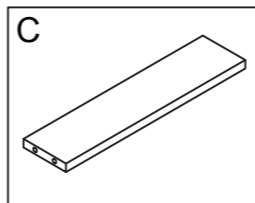
4
PVC ROUND LEG 6 PCS



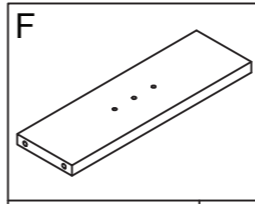
TOOL REQUIRED



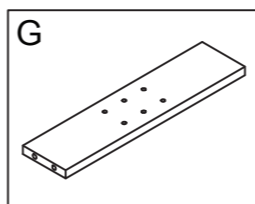
STEP 1



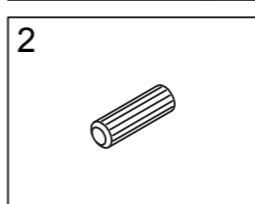
C
FRONT PANEL 2 PCS



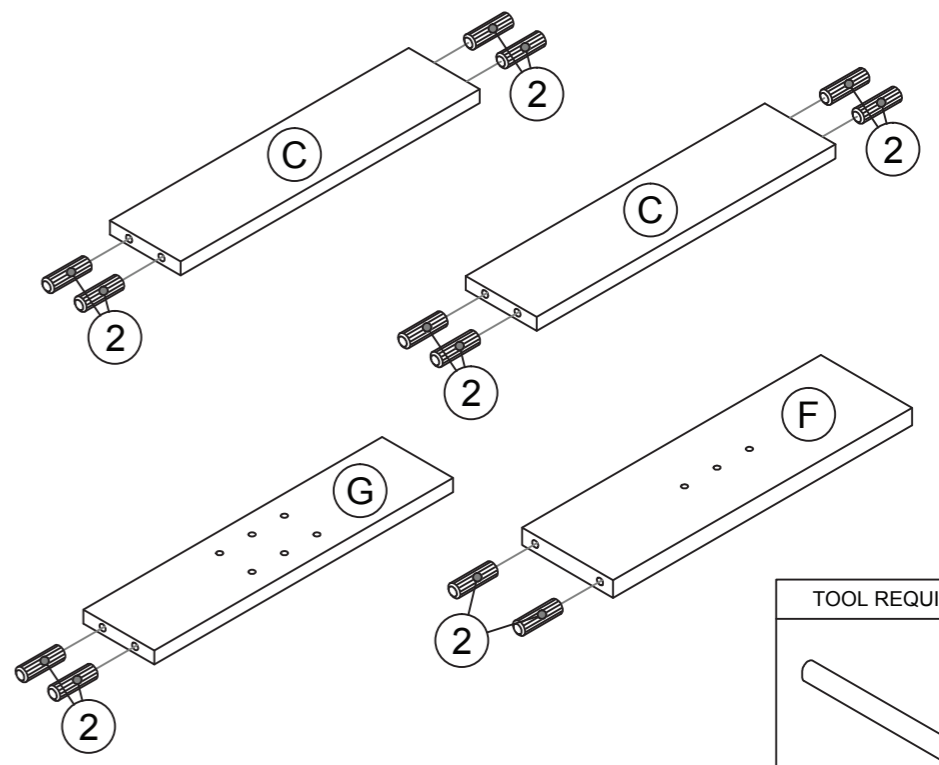
F
CENTER PANEL 1 PC



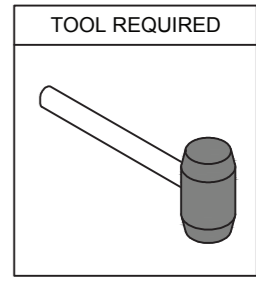
G
CENTER BACK PANEL 1 PC



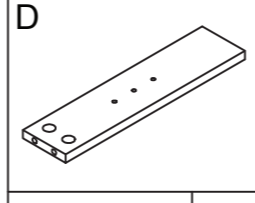
2
DOWEL 12 PCS



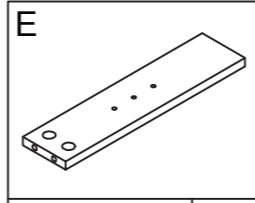
TOOL REQUIRED



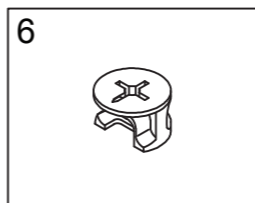
STEP 2



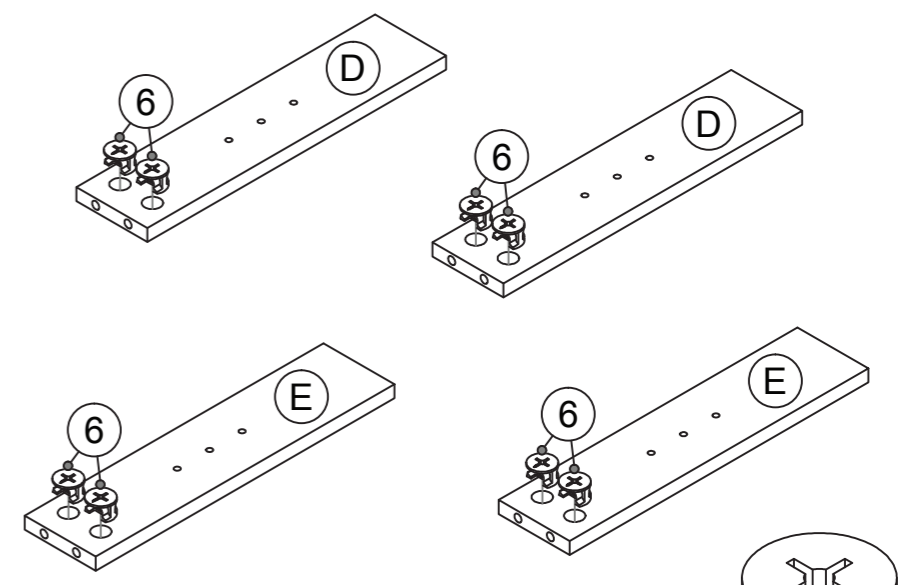
D
SIDE PANEL 2 PCS




E
BACK PANEL 2 PCS



6
CAM-LOCK NUT 8 PCS

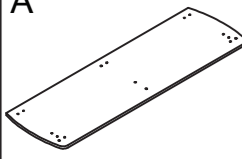




ARROW FACING OUTWARD

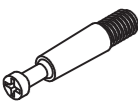
STEP 3

A

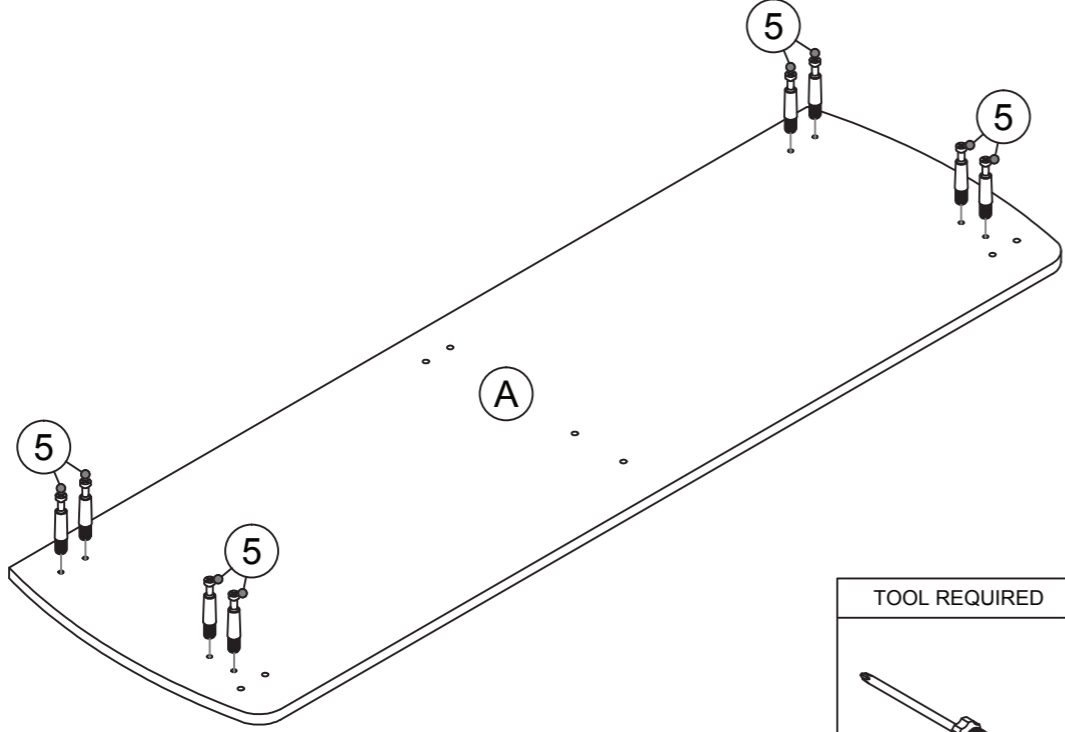


TOP PANEL 1 PC

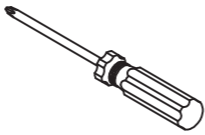
5



CAM-LOCK SCREW 8 PCS

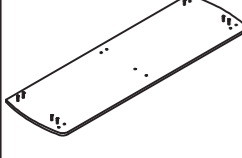


TOOL REQUIRED



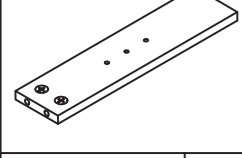
STEP 4

A



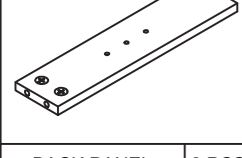
TOP PANEL 1 PC

D

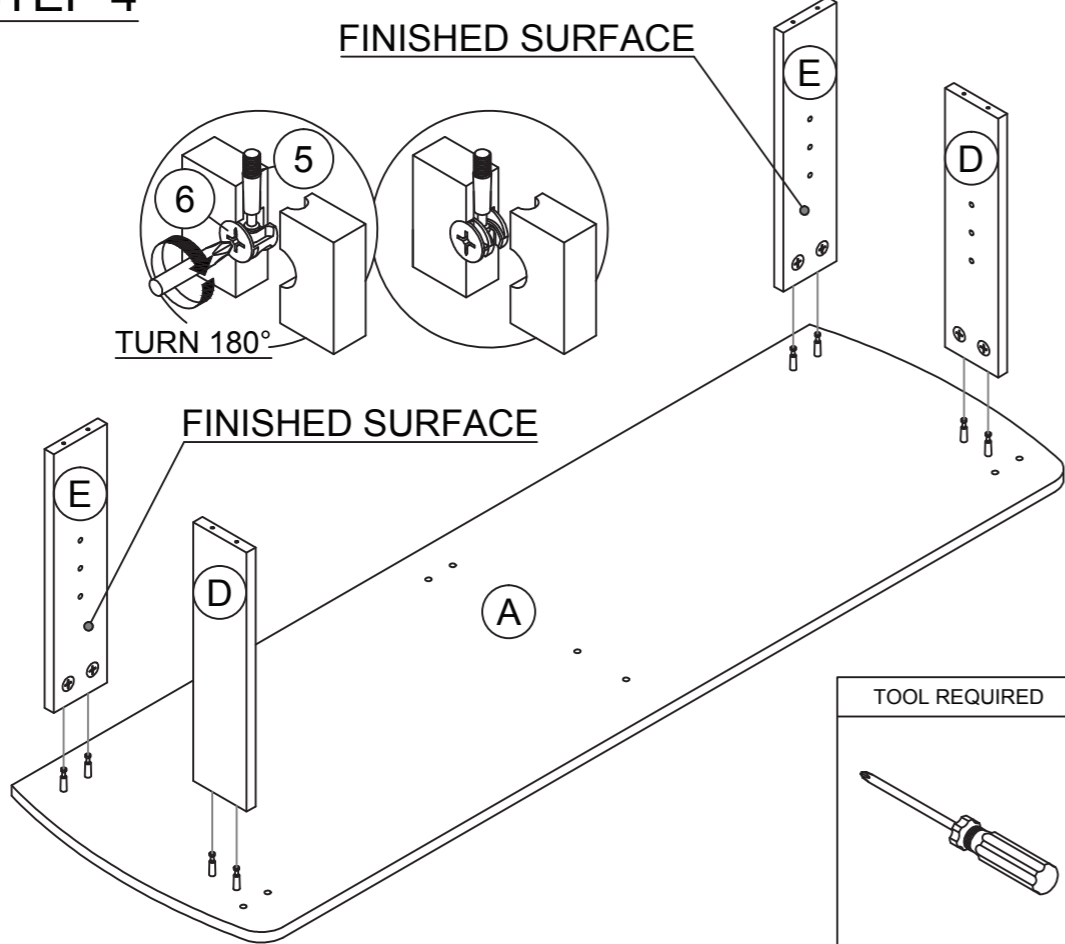


SIDE PANEL 2 PCS

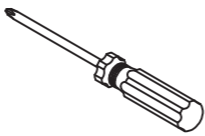
E



BACK PANEL 2 PCS

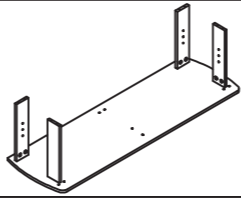


TOOL REQUIRED

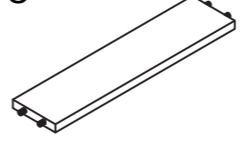


STEP 5

ASSEMBLED UNIT

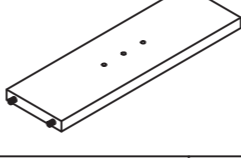


C



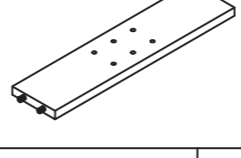
FRONT PANEL 2 PCS

F

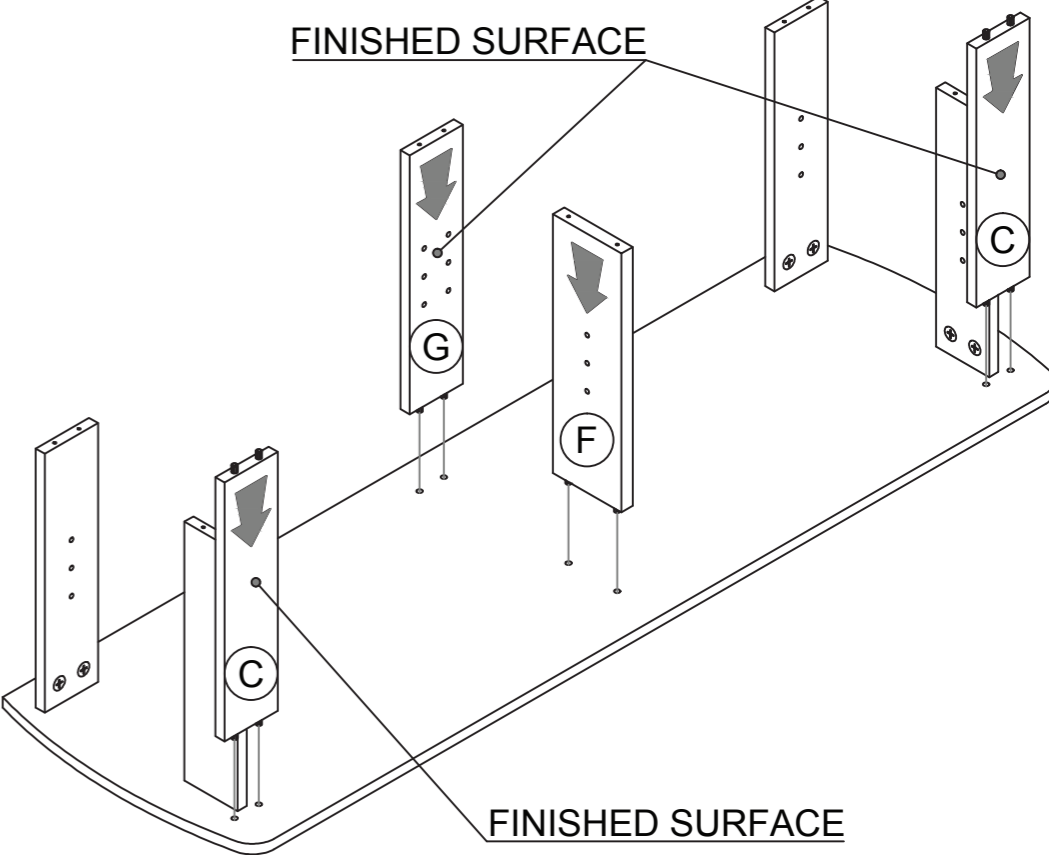


CENTER PANEL 1 PC

G

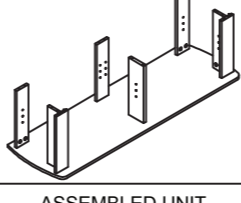


CENTER BACK PANEL 1 PC

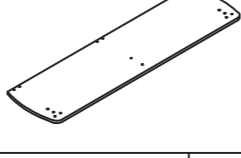


STEP 6

ASSEMBLED UNIT




B

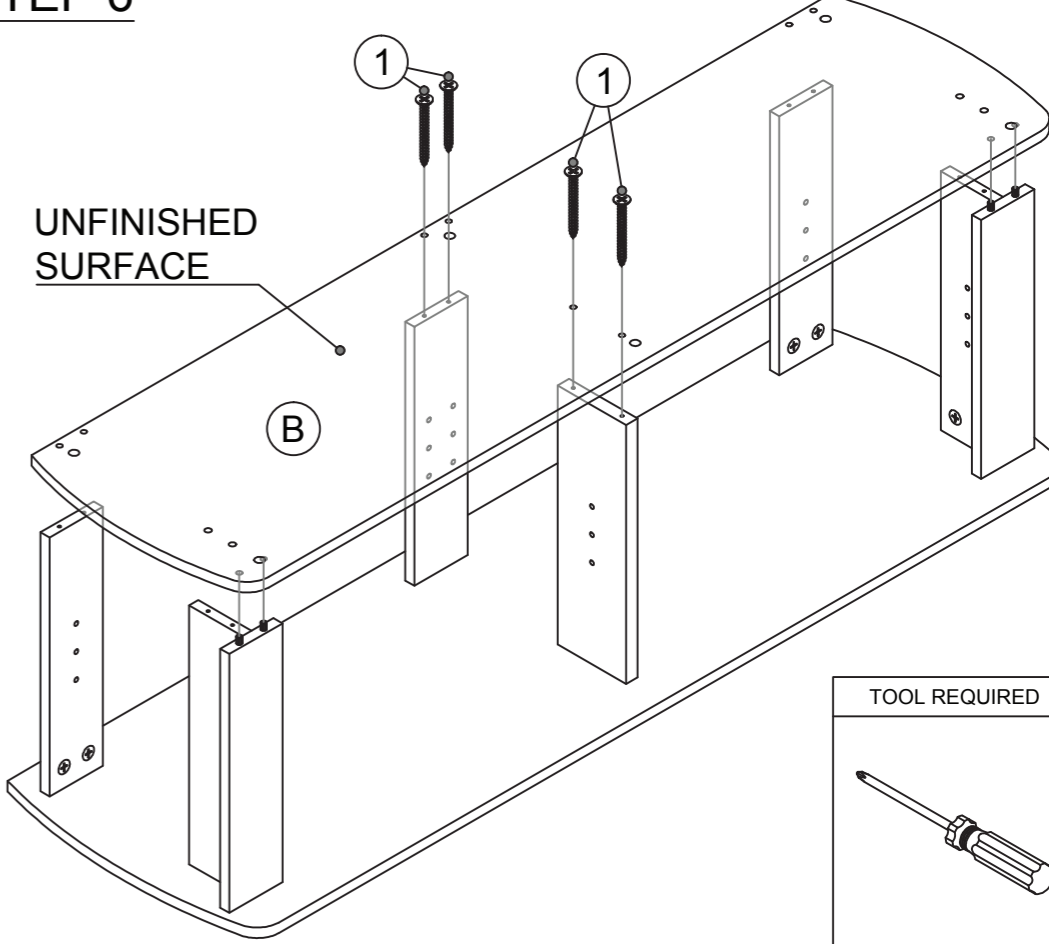


BOTTOM PANEL 1 PC

1



SCREW 4 PCS



TOOL REQUIRED

