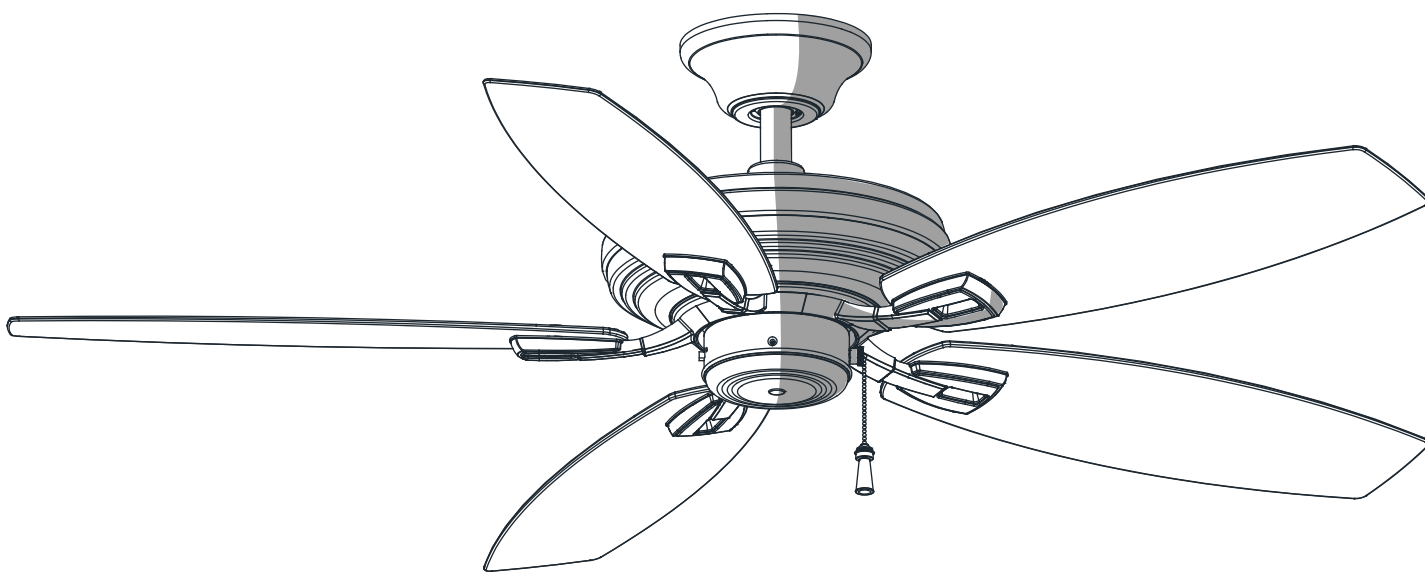




Item #751 310, XXX XXX, XXX XXX
Model #51716, 51717, 51719
UL Model #52-NORD

USE AND CARE GUIDE

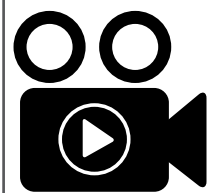
NORTH POND 52-INCH CEILING FAN



Questions, problems, missing parts? Before returning to the store,
call Hampton Bay Customer Service
8 a.m. - 7 p.m., EST, Monday-Friday, 9 a.m. - 6 p.m., EST, Saturday

1-855-HD-HAMPTON

HAMPTONBAY.COM



To view an instructional video on how to install this product:

1. Go to www.homedepot.com and enter either the Item or Model number, found in the top right corner of the cover of this instruction manual, in the search field.
2. Click on your product from the list of search results and click on the video link in the "Product Overview" section.

THANK YOU

We appreciate the trust and confidence you have placed in Hampton Bay through the purchase of this ceiling fan. We strive to continually create quality products designed to enhance your home. Visit us online to see our full line of products available for your home improvement needs.

Thank you for choosing Hampton Bay!

Table of Contents

Table of Contents	2	Assembly	7
Safety Information	2	Operation	13
Warranty	3	Care and Cleaning	14
Pre-Installation	3	Troubleshooting	14
Installation.....	6		

Safety Information

READ AND SAVE THESE INSTRUCTIONS

1. To reduce the risk of electric shock, ensure the electricity has been turned off at the circuit breaker or fuse box before you begin.
2. All wiring must be in accordance with the National Electrical Code ANSI/NFPA 70 and local electrical codes. Electrical installation should be performed by a qualified licensed electrician.
3. The outlet box and support structure must be securely mounted and capable of reliably supporting 35 lbs. (15.9 kg). Use only UL Listed outlet boxes marked "Acceptable for Fan Support of 35 lbs. (15.9 kg) or less."
4. The fan must be mounted with a minimum of 7 ft. (2.1 m) clearance from the trailing edge of the blades to the floor.
5. Do not operate the reversing switch while the fan blades are in motion. You must turn the fan off and stop the blades before you reverse the blade direction.
6. Do not place objects in the path of the blades.
7. To avoid personal injury or damage to the fan and other items, use caution when working around or cleaning the fan.
8. Electrical diagrams are for reference only. Light kits that are not packed with the fan must be UL-listed and marked suitable for use with the model fan you are installing. Switches must be UL General Use Switches. Refer to the instructions packaged with the light kits and switches for proper assembly.
9. After making electrical connections, spliced conductors should be turned upward and pushed carefully up into the outlet box. The wires should be spread apart with the grounded conductor and the equipment-grounding conductor on one side of the outlet box.
10. All setscrews must be checked and retightened where necessary before installation.
11. Suitable for use in wet locations when installed in a GFCI protected branch circuit.
12. Use only with light kits marked "Suitable for use in wet locations".



WARNING: To reduce the risk of personal injury, do not bend the blade brackets (also referred to as flanges) during assembly or after installation. Do not insert objects in the path of the blades.



WARNING: Remove the rubber motor stops on the bottom of the fan before installing the blades or testing the motor.



WARNING: To reduce the risk of fire or electric shock, do not use this fan with any solid-state speed control device.



WARNING: To avoid possible electrical shock, turn the electricity off at the main fuse box before wiring. If you feel you do not have enough electrical wiring knowledge or experience, contact a licensed electrician.



WARNING: Electrical diagrams are for reference only. Optional use of any light kit shall be UL-listed and marked suitable for use with this fan.



WARNING: To reduce the risk of fire, electric shock, or personal injury, mount to outlet box marked "Acceptable for fan support of 35 lbs. (15.9 kg) or less," and use the screws provided with the outlet box.

Warranty

The supplier warrants the fan motor to be free from defects in workmanship and material present at time of shipment from the factory for a lifetime after the date of purchase by the original purchaser. The supplier also warrants that all other fan parts, excluding any glass or acrylic blades, to be free from defects in workmanship and material at the time of shipment from the factory for a period of one year after the date of purchase by the original purchaser. We agree to correct such defects without charge or at our option replace with a comparable or superior model if the product is returned. To obtain warranty service, you must present a copy of the receipt as proof of purchase. All costs of removing and reinstalling the product are your responsibility. Damage to any part, such as by accident, misuse, improper installation, or by affixing any accessories, is not covered by this warranty. Because of varying climatic conditions this warranty does not cover any changes in brass finish, including rusting, pitting, corroding, tarnishing, or peeling. Brass finishes of this type give their longest useful life when protected from varying weather conditions. A certain amount of "wobble" is normal and should not be considered a defect. Servicing performed by unauthorized persons shall render the warranty invalid. There is no other express warranty. Hampton Bay hereby disclaims any and all warranties, including but not limited to those of merchantability and fitness for a particular purpose to the extent permitted by law. The duration of any implied warranty which cannot be disclaimed is limited to the time period as specified in the express warranty. Some states do not allow a limitation on how long an implied warranty lasts, so the above limitation may not apply to you. The retailer shall not be liable for incidental, consequential, or special damages arising out of or in connection with product use or performance except as may otherwise be accorded by law. Some states do not allow the exclusion of incidental or consequential damages, so the above exclusion or limitation may not apply to you. This warranty gives specific legal rights, and you may also have other rights which vary from state to state. This warranty supersedes all prior warranties. Shipping costs for any return of product as part of a claim on the warranty must be paid by the customer.

Contact the Customer Service Team at 1-855-HD-HAMPTON or visit www.HamptonBay.com.

Pre-Installation

SPECIFICATIONS

Size	Speed	Volts	Amps	Watts	RPM	CFM	Net Weight	Gross Weight	Cube Feet
52 in.	Low	120	0.23	13	75	1992	18.08 lb (8.2 kg)	20.72 lb (9.4 kg)	1.80 cu.ft.
	Medium		0.33	27	110	2931			
	High		0.47	57	165	4271			



NOTE: These are approximate measures. They do not include the amps and wattage used by the light kit.

TOOLS REQUIRED



⊕
Phillips
screwdriver



⊖
Flat blade
screwdriver



Adjustable
wrench



Electrical
tape



Wire
cutter /
stripper



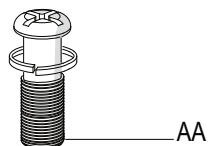
Step ladder

Pre-Installation (continued)

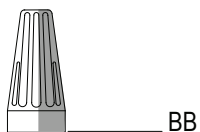
HARDWARE INCLUDED



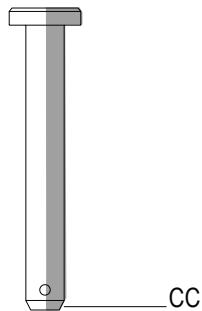
NOTE: Hardware not shown to actual size.



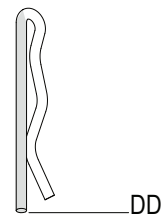
AA



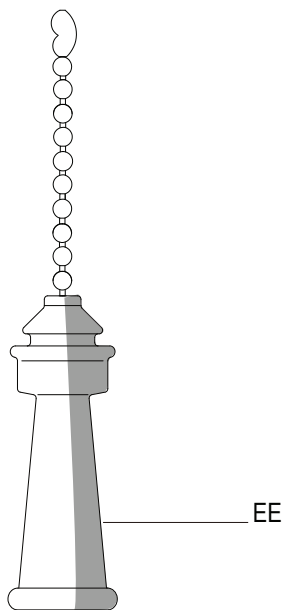
BB



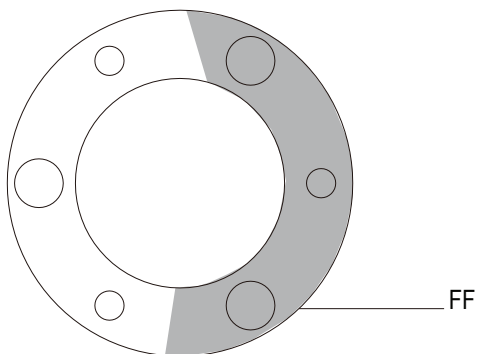
CC



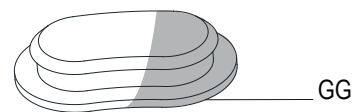
DD



EE



FF

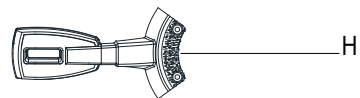
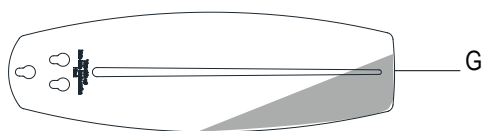
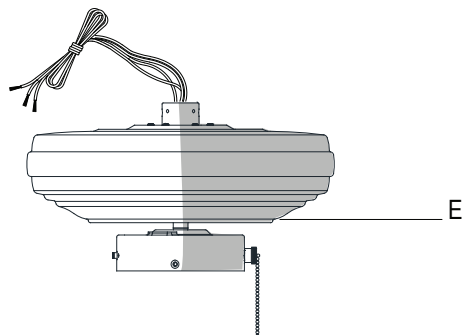
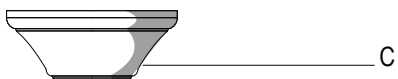


GG

Part	Description	Quantity
AA	Extra blade bracket screw	1
BB	Plastic wire connector	3
CC	Hanger pin	1
DD	Locking pin	1
EE	Pull chain	1
FF	Rubber gasket	1
GG	Water proof plug on switch cup	1

Pre-Installation (continued)

PACKAGE CONTENTS



Part	Description	Quantity
A	Slide-on mounting bracket (inside canopy)	1
B	Ball/downrod assembly	1
C	Canopy	1
D	Coupling cover	1
E	Fan-motor assembly	1

Part	Description	Quantity
F	Switch cup cover	1
G	Blade	5
H	Blade bracket	5



IMPORTANT: This product and/or components are governed by one or more of the following U.S. Patents: 5,947,436; 5,988,580; 6,010,110; 6,046,416; 6,210,117 and other patents pending.

Installation

MOUNTING OPTIONS

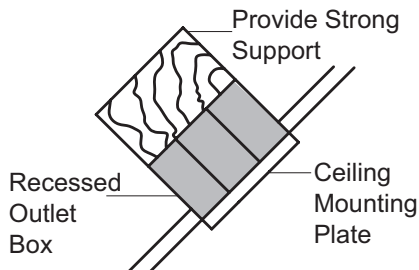


WARNING: To reduce the risk of fire, electric shock or personal injury, mount to an outlet box marked "Acceptable for fan support of 35 lbs. (15.9 kg) or less," and use the screws provided with the outlet box. An outlet box commonly used for the support of lighting fixtures may not be acceptable for fan support and may need to be replaced. If in doubt, consult a qualified electrician.

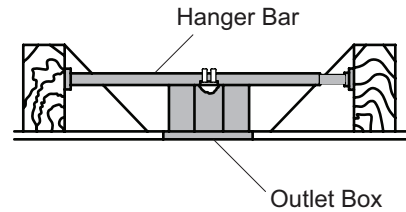
If your ceiling fan does not have an existing UL-listed mounting box, then install one using the following instructions:

- Disconnect the power by removing the fuses or turning off the circuit breakers.
- Secure the outlet box directly to the building structure. Use the appropriate fasteners and materials. The outlet box and its bracing must be able to fully support the weight of the moving fan (at least 35 lbs.). Do not use a plastic outlet box.

The illustrations below show three different ways to mount the outlet box.



NOTE: You may need a longer downrod to maintain proper blade clearance when installing on a steep, sloped ceiling. The maximum angle allowable is 30° away from horizontal.



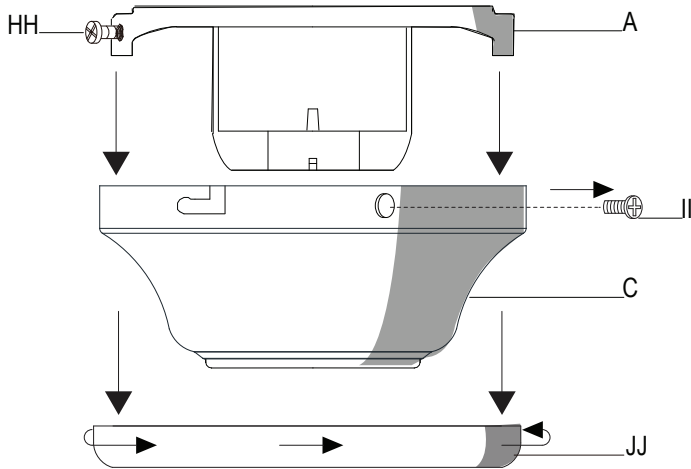
If the canopy (C) touches the ball/downrod assembly (B), then remove the decorative canopy bottom cover and turn the canopy (C) 180° before attaching the canopy (C) to the mounting plate.

To hang your fan where there is an existing fixture but no ceiling joist, you may need an installation hanger bar as shown above (available at any Home Depot store).

Assembly - Standard Ceiling Mount

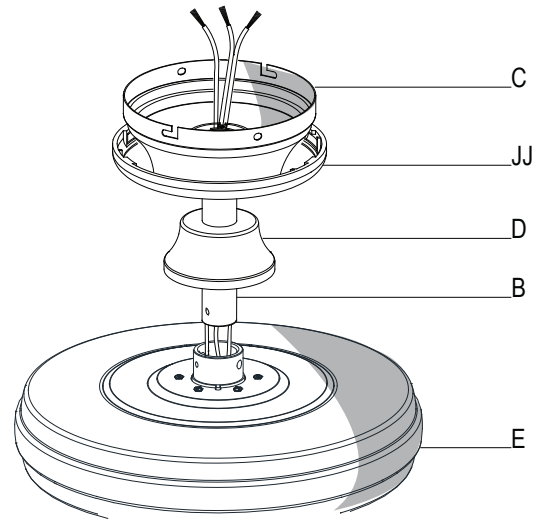
1 Preparing for standard mounting

- Remove the canopy ring (JJ) from the canopy (C) by turning the ring counter-clockwise until it unlocks.
- Remove the mounting bracket (A) from the canopy (C) by loosening the two canopy screws (HH) located in the "L shaped" slots.
- Remove and save the two canopy screws (II) in the round holes. This will enable you to remove the mounting bracket (A).



2 Routing the wires

- Route the wires exiting the top of the fan motor assembly (E) through the center of the canopy ring (JJ). Make sure the slots on the canopy ring (JJ) are on top.
- Insert the ball/downrod (B) through the canopy (C) and slide the decorative motor collar cover (D) onto the end of the ball/downrod (B). Make sure the slots on the canopy (C) are on top.
- Route the wires exiting the top of the fan motor assembly (E) through the downrod (B) as shown.

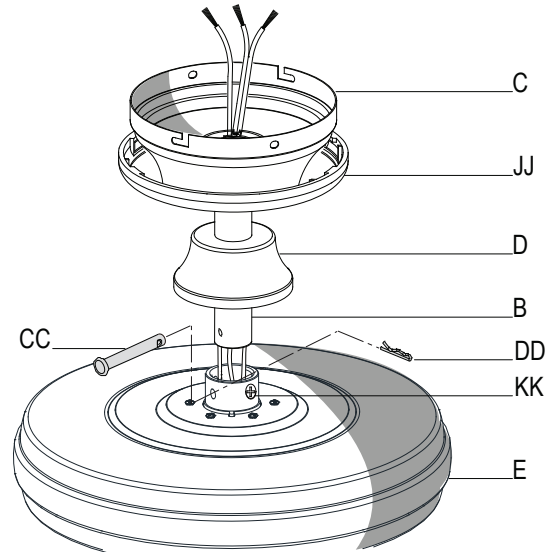


3 Assembling the fan



WARNING: Failure to properly install the locking pin (DD) could result in the fan becoming loose and possibly falling.

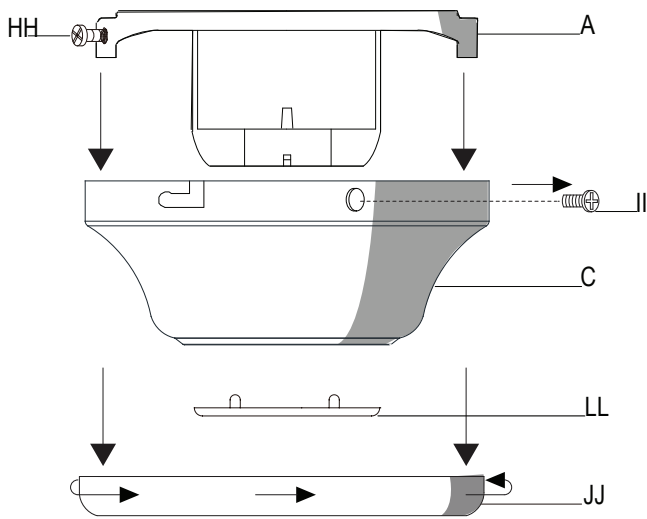
- Loosen, but do not remove, the setscrews (KK) on the collar on top of the fan-motor assembly (E).
- Align the holes at the bottom of the ball/downrod assembly (B) with the holes in the collar on top of the fan-motor assembly (E).
- Carefully insert the hanger pin (CC) through the holes in the collar and ball/downrod assembly (B). Be careful not to jam the hanger pin (CC) against the wiring inside the ball/downrod assembly (B).
- Insert the locking pin (DD) through the hole near the end of the hanger pin (CC) until it snaps into its locked position.
- Re-tighten the setscrews (KK) on the collar on top of the fan-motor assembly (E).



Assembly - Close-To-Ceiling Mount

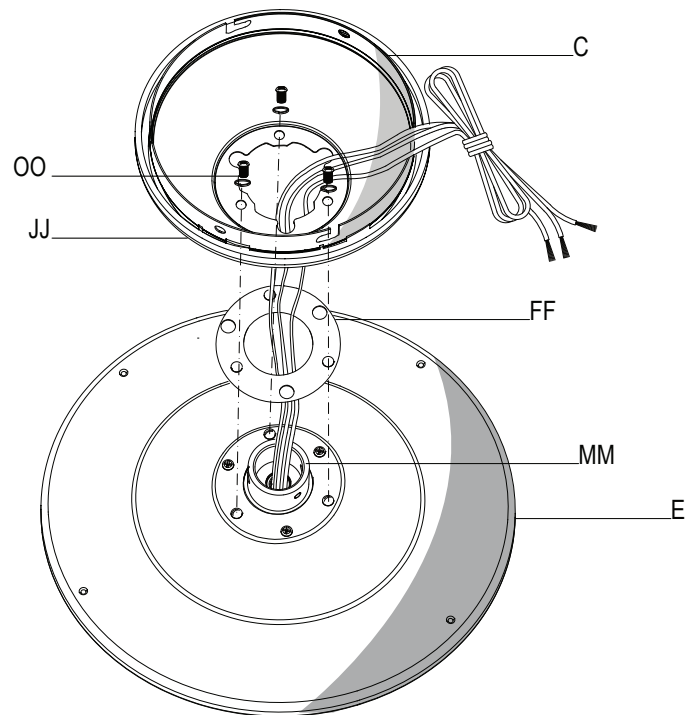
1 Preparing for mounting

- Remove canopy ring (JJ) from the canopy (C) by turning the ring counterclockwise until it unlocks.
- Remove the mounting bracket (A) from the canopy (C) by loosening the two canopy screws (HH) located in the “L shaped” slots
- Remove and save the two canopy screws (II) in the round holes. This will enable you to remove the mounting bracket (A).
- Remove the decorative canopy bottom cover (LL) from the canopy (C) by pressing the three studs located inside the bottom of the canopy.



2 Routing the wires

- Remove three of the six screws and lock washers (OO) (every other one) securing the motor collar to the top of the fan-motor assembly (E).
- Route the wires exiting the top of the fan-motor assembly (E) through the rubber gasket (FF) aligning the holes in the rubber gasket (FF) with the three screw holes in the fan-motor assembly (E).
- Route the wires exiting the top of the fan-motor assembly (E) through the canopy ring (JJ), and the canopy (C) (make sure the slot openings for the canopy ring and canopy are on top). Place the canopy (C) over the collar (MM) at the top of the motor (E).
- Align the mounting holes in the canopy (C) with the screw holes in the motor (E) and fasten using the three screws and lock washers (OO) (removed previously). Tighten the mounting screws securely.



Assembly - Hanging the Fan

1 Attaching the fan to the electrical box

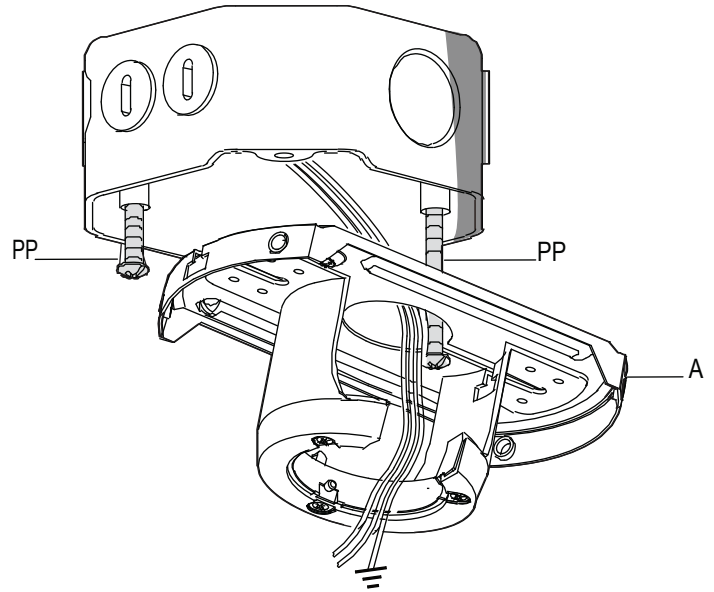


WARNING: To reduce the risk of fire, electric shock or personal injury, mount to an outlet box marked "Acceptable for fan support of 35 lbs. (15.9 kg) or less," and use the screws provided with the outlet box.



NOTE: The mounting bracket (A) is designed to slide into place on an outlet box with the outlet box screws (PP).

- Loosen the two mounting screws (PP) in the outlet box.
- Pass the 120-Volt supply wires through the center hole in the slide-on mounting bracket (A).
- Install the slide-on mounting bracket (A) on the outlet box by sliding the slide-on mounting bracket (A) over the two screws (PP) provided with the outlet box. If necessary, use leveling washers (not included) between the slide-on mounting bracket (A) and the outlet box. The flat side of the slide-on mounting bracket (A) should face toward the outlet box, as shown.
- Securely tighten the two mounting screws (PP).



2 Hanging the fan

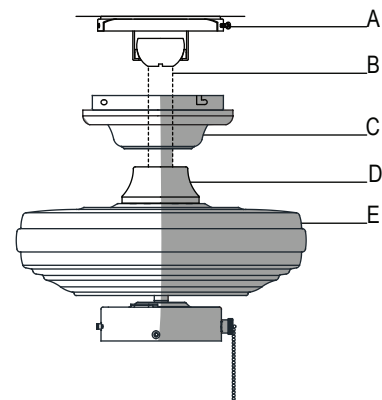
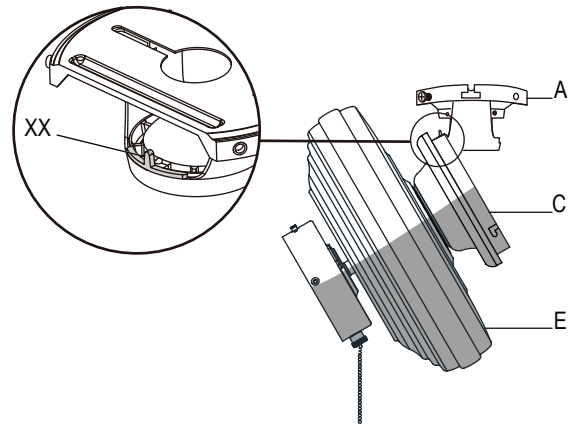


WARNING: The hook (XX) is only to balance the fan while making the electrical connections. Failure to hang as shown may result in the hook (XX) breaking, causing the fan to fall. The hook must pass from the inside to the outside of the canopy.



WARNING: When hanging the fan on the hook (XX) it is critical that you use one of the non-slotted (round) holes in the canopy (C).

- Carefully lift the fan-motor assembly (E) up to the slide-on mounting bracket (A).
- Insert the ball portion of the ball/downrod assembly (B) into the socket of the slide-on mounting bracket (A).
- Turn the ball/downrod assembly (B) clockwise until it is seated with the tab of the slide-on mounting bracket aligned with the slot in the ball.
- If using close-to-ceiling mounting, hang the fan on the hook provided by utilizing one of the holes at the outer rim of the ceiling canopy (C).



Assembly - Hanging the Fan (continued)

3 Making the electrical connections



WARNING: Each wire not supplied with this fan is designed to accept up to one 12-gauge house wire and two wires from the fan. If you have larger than 12-gauge house wiring or more than one house wire to connect to the fan wiring, consult an electrician for the proper size wire nuts to use.



WARNING: Remove the rubber motor stops on the bottom of the fan before installing the blades or testing the motor.



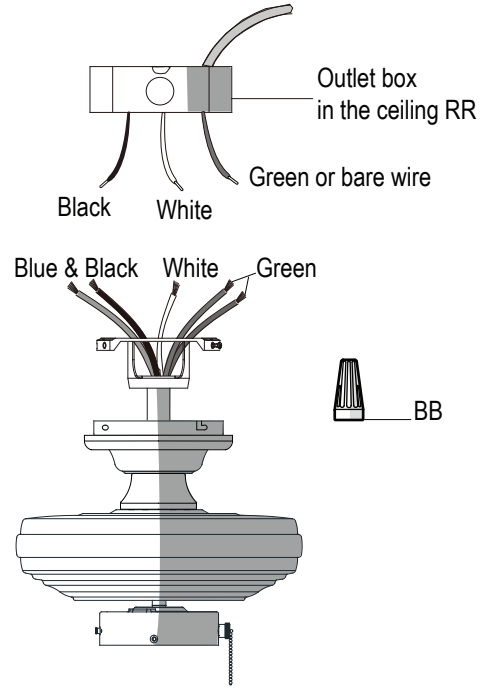
IMPORTANT: Use the plastic wire connectors (BB) supplied with your fan. Secure the connectors with electrical tape and ensure there are no loose strands or connections.



NOTE: The fan comes with 54 in. lead wires for use with an extended ball/downrod assembly. If using the 4.5 in. ball/downrod assembly (B) provided, you can cut the lead wires to your desired length (no shorter than 12 in.).

- The fan comes with 54 in. lead wires for use with an extended ball/downrod assembly. If using the 4.5 in. ball/downrod assembly (B) provided, you can cut the lead wires to your desired length (no shorter than 12 in.) This will make extra room in the canopy (C), if you do not wish to cut the wires, you will need to neatly wrap them.
- Connect the fan motor green wires to the household green or bare wire using a wire connecting nut (BB).

- Connect the fan motor white wire to the household white wire using a wire connecting nut (BB).
- Connect the fan motor black and blue wires to the household black wire using a wire connecting nut (BB).
- Secure each wire connecting nut using electrical tape.
- Turn the wire connecting nut (BB) upward and push the wiring into the outlet box.

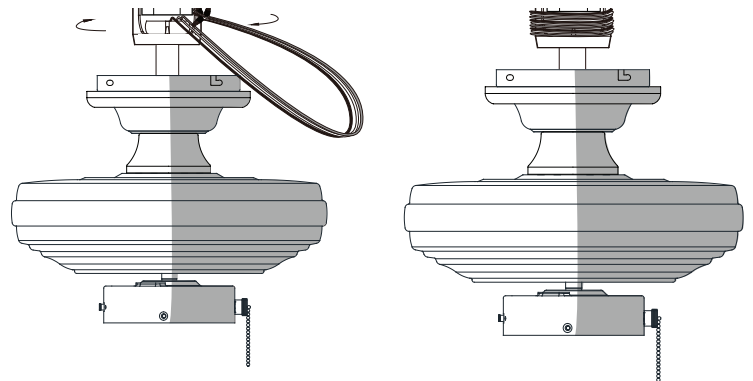


4 Wrapping the extra wire



NOTE: Follow this step ONLY if you did not cut the extra length from the wires coming from the ceiling fan.

- Gently wrap the excess wire around the mounting bracket (A).
- Secure the wires with electrical tape.



Assembly - Hanging the Fan (continued)

5 Mounting the fan-motor assembly (standard mount)

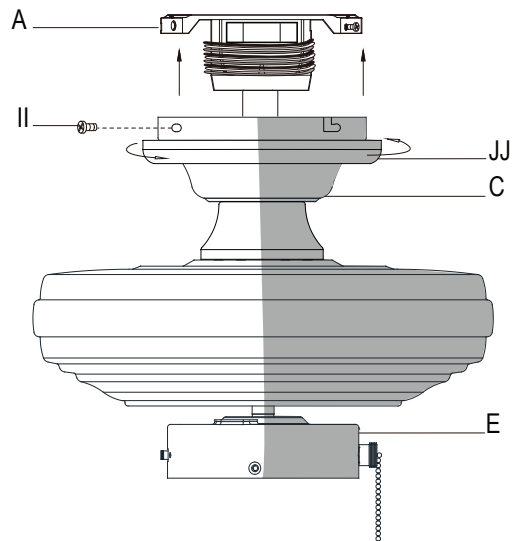


WARNING: When using the standard ball/downrod mounting, the tab in the ring at the bottom of the mounting bracket must rest in the groove of the hanger ball. Failure to properly seat the tab in the groove could cause damage to the wiring.



WARNING: The locking slots of ceiling canopy are provided only as an aid to mounting. Do not leave the fan assembly unattended until all four canopy screws are engaged and firmly tightened.

- Align the locking slots of the canopy (C) with the two screws (HH) in the mounting bracket (A). Push up to engage the slots and turn clockwise to lock in place.
- Firmly tighten the two mounting screws (HH).
- Install the two canopy screws (II) (saved from Assembly Step 1 "Preparing for mounting") into the holes in the canopy (C) and tighten firmly.
- Install the decorative canopy ring (JJ) by aligning the ring's slots with the screws in the canopy (C). Rotate the ring clockwise to lock in place.

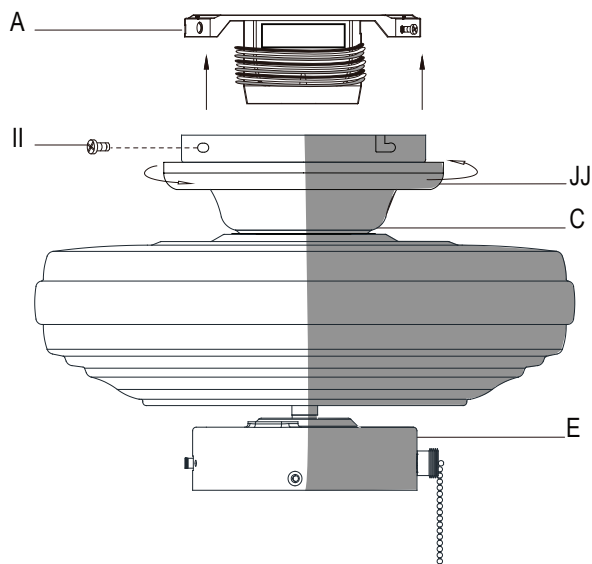


6 Mounting the fan-motor assembly (close-to-ceiling mount)



WARNING: The locking slots of ceiling canopy are provided only as an aid to mounting. Do not leave the fan assembly unattended until all four canopy screws are engaged and firmly tightened.

- Carefully unhook the fan from the mounting bracket (A) and align the locking slots of the ceiling canopy (C) with the two screws in the mounting bracket (A). Push up to engage the slots and turn clockwise to lock in place. Immediately tighten the two mounting screws firmly.
- Install the two mounting screws (II) (saved from Assembly Step 1 "Preparing for mounting") into the holes in the canopy (C) and tighten firmly.
- Install the decorative canopy ring (JJ) by aligning the ring's slots with the screws in the canopy (C). Rotate the ring clockwise to lock in place.
- You may now proceed to attaching the fan blades.



Assembly - Attaching the Fan Blades

1 Fastening the blade brackets to the motor



WARNING: Remove the rubber motor stops on the bottom of the fan before installing the blades or testing the motor.

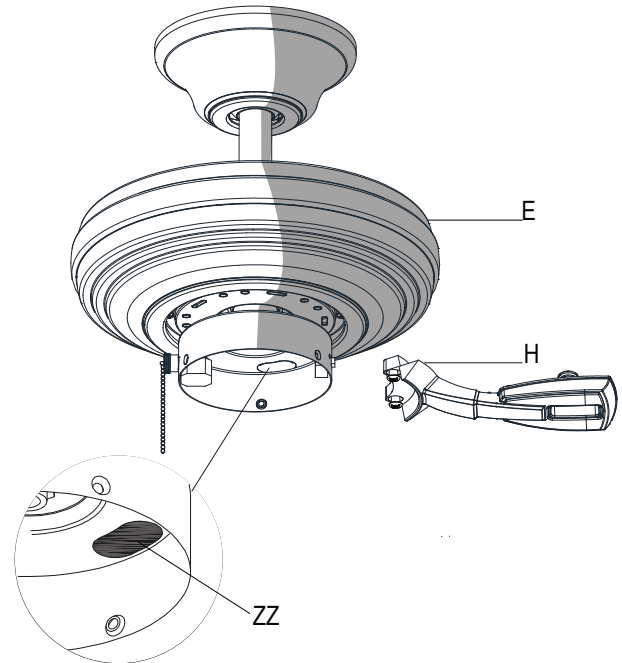


IMPORTANT: The switch cup cover has an access hole (ZZ) to allow the screwdriver to reach the screws in the blade bracket. Position the blade bracket on the motor and tighten by inserting the screwdriver through the access hole (ZZ).



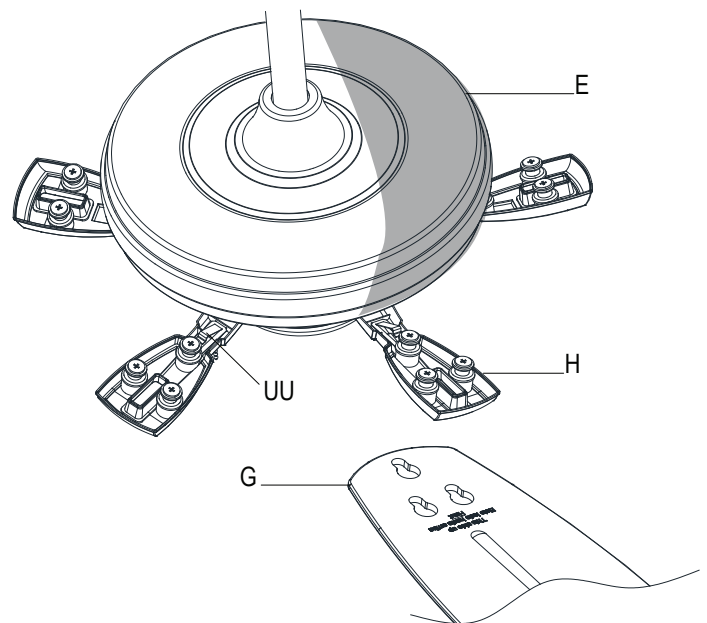
NOTE: Your fan features revolutionary advancements for quick and easy blade installation, including an alignment post and captive blade bracket screws.

- Fasten the blade brackets (H) to the fan-motor assembly (E) by inserting the alignment post into the slot on the bottom of the motor and tightening the pre-installed blade bracket screws by inserting a screwdriver through the access hole (ZZ).
- Repeat this step for the remaining blade bracket by rotating the motor until the next blade bracket screw can be accessed through the access hole (ZZ) in the switch cup cover.
- Press back the water proof plug (GG) to the access hole (ZZ) on the switch cup.



2 Attaching the blades to the blade brackets

- Mount the fan blade (G) to the blade bracket (H) by aligning the three key-slot holes in the blade (G) with the three posts on the top of the blade bracket (H).
- Hold the blade (G) with both hands close to the blade bracket (H) and press down firmly. Ensure the key-slot holes are properly seated on the blade bracket (H) posts.
- While still holding the blade (G) down with both hands, slide the blade (G) until it engages in the locking mechanism (UU). Make sure the locking mechanism (UU) at the rear of the blade bracket (H) springs upward and butts against the edge of the blade (G), indicating a secure connection.
- Visually inspect the top of the blade bracket (H) to ensure the locking mechanism is securely in place.
- Repeat this procedure for the remaining blades (G).



Assembly - Attaching the Switch Cup

1 Attaching the switch cup

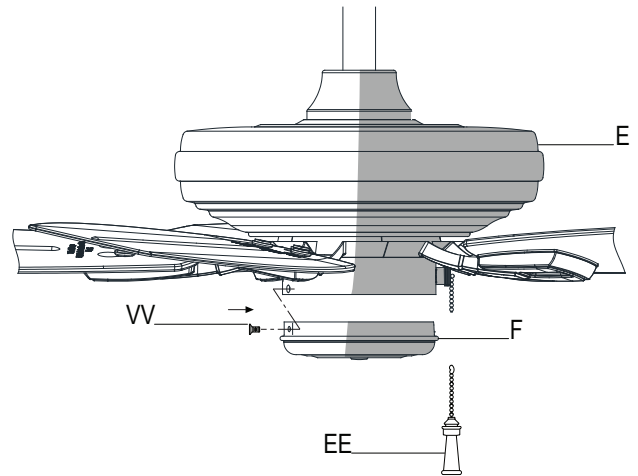


CAUTION: To reduce the risk of electric shock, disconnect the electrical supply circuit to the fan before installing the light fixture.



NOTE: Notice the location of the fan's slide switch. This is the switch used to change the fan's directional rotation. For more information on the operation of this switch, see *Operating Your Fan* on page 13.

- Remove the three screw (VV) from the switch cup cover (F) and save them.
- Align the three holes in the switch cup below the fan motor assembly (E) with the three holes in the switch cup cover (F). Make sure the notch in the switch cup cover (F) clears the reversing switch in the switch cup.
- Position the switch cup cover (F) and re-install the three screws that were removed in first step to secure the switch cup cover (F).
- Attach the pull chain extensions (EE) to the fan pull chain.



Operation

OPERATING YOUR FAN

Turn on the power and check the operation of the fan. The fan pull chain controls the fan speed as follows:

1 pull - High, 2 pulls - Medium, 3 pulls - Low, 4 pulls - off

The appropriate speed settings for warm or cool weather depends on factors such as the room size, ceiling height, and number of fans.

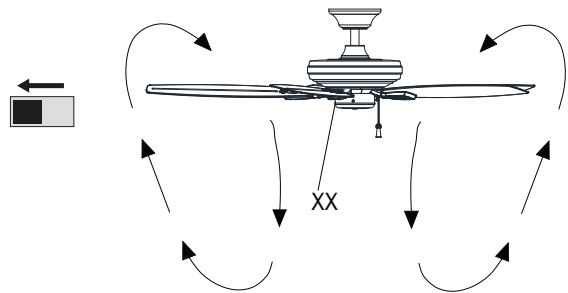
The slide switch (XX) controls the direction of the blades: forward (switch left) or reverse (switch right).

NOTE: Wait for the fan to stop before reversing the direction of the blade rotation.

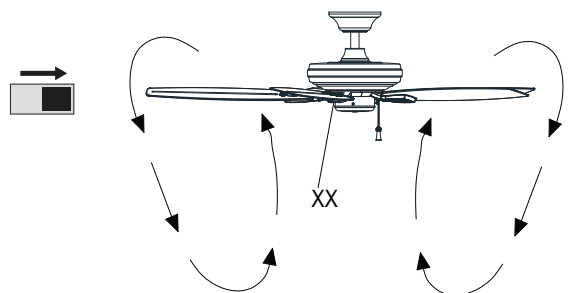
A. Warm weather - (Forward) A downward airflow creates a cooling effect. This allows you to set your air conditioner on a higher setting without affecting your comfort.

B. Cool weather - (Reverse) An upward airflow moves warm air off of the ceiling. This allows you to set your heating unit on a lower setting without affecting your comfort.

A. Warm Weather



B. Cool Weather



Care and Cleaning



WARNING: Make sure the power is off before cleaning your fan.

- Because of the fan's natural movement, some connections may become loose. Check the support connections, brackets, and blade attachments twice a year. Make sure they are secure. It is not necessary to remove the fan from the ceiling.
- Clean your fan periodically to help maintain its new appearance over the years. Do not use water when cleaning, as this could damage the motor or the wood, or possibly cause an electrical shock. Use only a soft brush or lint-free cloth to avoid scratching the finish. The plating is sealed with a lacquer to minimize discoloration or tarnishing.
- You can apply a light coat of furniture polish to the wood for additional protection and enhanced beauty. Cover small scratches with a light application of shoe polish.
- You do not need to oil your fan. The motor has permanently-lubricated sealed ball bearings.

Troubleshooting

Problem	Solution
The fan will not start.	<ul style="list-style-type: none">□ Check the main and branch circuit fuses or breakers.□ Check the line wire connections to the fan and switch wire connections in the switch housing.
The fan is noisy.	<ul style="list-style-type: none">□ Ensure all motor housing screws are snug.□ Ensure the screws that attach the fan blade bracket to the motor hub are tight.□ Ensure the wire nut connections are not rattling against each other or the interior wall of the switch housing.□ Allow a 24-hour "breaking in" period. Most noises associated with a new fan disappear during this time.□ If you are using the Ceiling Fan light kit, ensure the screws securing the glassware are tight. Check that the light bulbs are also secure.□ Ensure the canopy is a short distance from the ceiling. It should not touch the ceiling.□ Ensure your outlet box is secure and rubber isolator pads were used between the mounting plate and outlet box.
The fan wobbles.	<ul style="list-style-type: none">□ Check that all blade and blade arm screws are secure.□ Most fan wobble problems are caused when blade levels are unequal. Check this level by selecting a point on the ceiling above the tip of one of the blades. Measure from a point on the center of each blade to the point on the ceiling. Measure this distance. Rotate the fan until the next blade is positioned for measurement. Repeat for each blade. Any measurement deviation should be within 1/8 in. Run the fan for ten minutes. If the fan continues to wobble please contact Customer Service and a balancing kit will be sent to you at no charge.



Questions, problems, missing parts? Before returning to the store,
call Hampton Bay Customer Service
8 a.m. - 7 p.m., EST, Monday - Friday, 9 a.m. - 6 p.m., EST, Saturday

1-855-HD-HAMPTON

HAMPTONBAY.COM

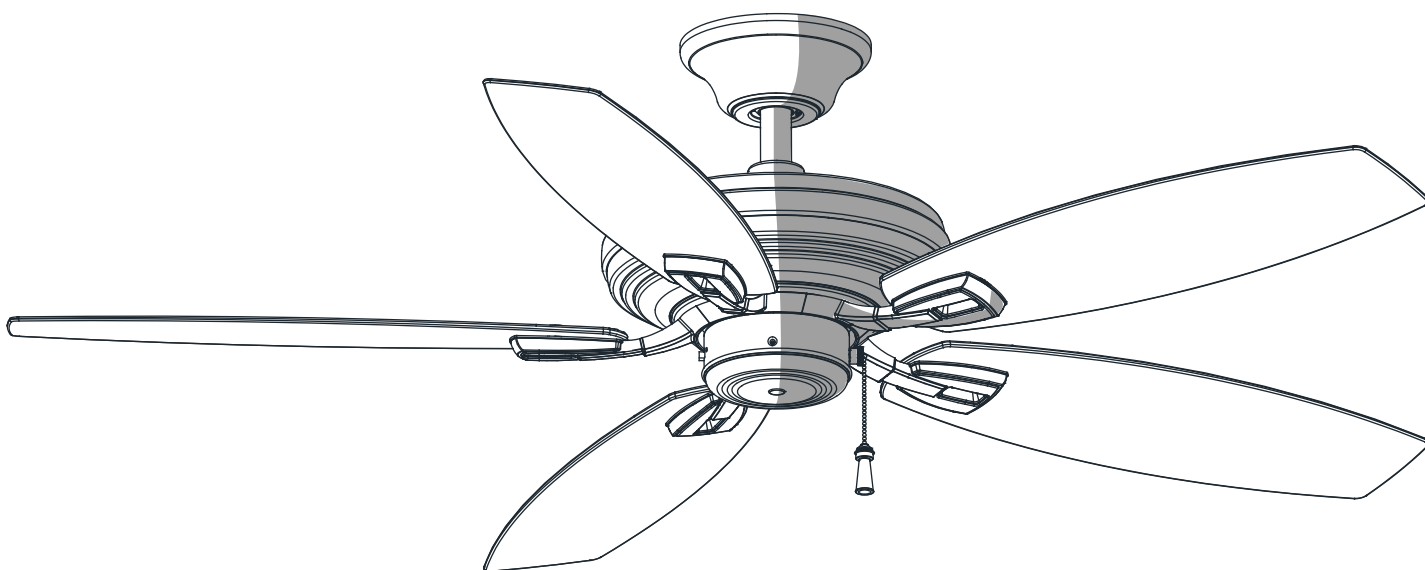
Retain this manual for future use.



Artículo núm. 751 310, XXX XXX, XXX XXX
Modelo Núm. 51716, 51717, 51719
Modelo núm. 52-NORD

GUÍA DE USO Y MANTENIMIENTO

VENTILADOR DE TECHO NORTH POND DE 1.3 M



¿Preguntas, problemas o piezas faltantes? Antes de devolver a la tienda, llama al servicio al cliente de Hampton Bay, de 8:00 a.m. a 7:00 p.m. (Hora Estándar del Este), de lunes a viernes, y los sábados de 9 a.m. a 6 p.m. (Hora Estándar del Este).

1-855-HD-HAMPTON

HAMPTONBAY.COM



Para ver un video instructivo sobre cómo instalar este producto:

1. Visita www.homedepot.com e ingresa en el campo de búsqueda el número de modelo o artículo, localizado en la esquina superior derecha de la cubierta de este manual de instrucciones.
2. Haz clic sobre tu producto, en la lista de resultados de la búsqueda, y sobre el enlace de video en la sección "Información general del producto".

GRACIAS POR TU COMPRA

Apreciamos la confianza que has depositado en Hampton Bay al comprar este ventilador de techo. Nos esforzamos continuamente en crear productos de calidad diseñados para mejorar tu hogar. Visítanos por Internet para ver nuestra línea completa de productos disponibles con vistas a satisfacer las necesidades de mejoras de tu hogar. ¡Gracias por elegir Hampton Bay!

Tabla de contenido

Tabla de contenido	2
Información de seguridad.....	2
Garantía.....	3
Preinstalación	3
Instalación.....	6

Ensamblaje.....	7
Operación.....	13
Mantenimiento y limpieza.....	14
Solución de problemas	14

Información de seguridad

LEE Y GUARDA ESTAS INSTRUCCIONES

1. Para disminuir el riesgo de descarga eléctrica, asegúrate de cortar la electricidad en el cortacircuitos o la caja de fusibles antes de comenzar.
2. Todo el cableado debe cumplir con el Código Nacional de Electricidad ANSI/NFPA 70 y con los códigos locales correspondientes. La instalación eléctrica debe hacerse por un electricista certificado y calificado.
3. La caja eléctrica y la estructura de soporte tienen que montarse de forma segura para poder sostener de manera confiable 15.9 kg. Usa solo cajas eléctricas marcadas como aprobadas por UL "para sostener ventiladores de 15.9 kg o menos".
4. El ventilador tiene que montarse con separación mínima de 2.1 m entre el borde posterior de las aspas y el piso.
5. No muevas el interruptor de reversa mientras las aspas del ventilador estén en movimiento. Tienes que apagar el ventilador y esperar a que se detengan las aspas antes de ponerlas a girar en sentido contrario.
6. No coloques objetos en la trayectoria de las aspas.
7. Para evitar lesiones físicas o daños al ventilador y otros artículos, ten cuidado al limpiarlo o al trabajar cerca de él.
8. Los diagramas eléctricos son sólo para referencia. Los kits de luces no empaquetados con el ventilador tienen que estar aprobados por UL y marcados como apropiados para usar con el modelo de ventilador que estás instalando. Los interruptores tienen que estar clasificados por UL como de uso general. Consulta las instrucciones adjuntas a los kits de luces e interruptores para ensamblaje adecuado.
9. Después de concluir las conexiones eléctricas, debes voltear los conductores empalmados hacia arriba y meterlos con cuidado en la caja eléctrica. Los cables deben estar separados con el cable a tierra y el conductor a tierra del equipo a un lado de la caja eléctrica.
10. Antes de la instalación, todos los tornillos de fijación deben verificarse y reajustarse donde sea necesario.
11. Adecuado para usar en lugares húmedos si se instala en un circuito derivado protegido por interruptor diferencial (GFCI).
12. Usar solo con kits de luces marcados como "adecuados para uso en lugares húmedos".



ADVERTENCIA: Para reducir el riesgo de lesiones personales, no dobles los soportes de las aspas (también llamados "bridas") durante el ensamblaje ni después de la instalación. No coloques objetos en la trayectoria de las aspas.



ADVERTENCIA: Quita los tapones de goma del motor que están en la parte inferior del ventilador antes de instalar las aspas o probar el motor.



ADVERTENCIA: Para disminuir el riesgo de incendio o descarga eléctrica, no utilices este ventilador con ningún dispositivo de estado sólido para control de velocidad.



ADVERTENCIA: Para evitar una posible descarga eléctrica, corta la energía eléctrica en la caja principal de fusibles antes de instalar el cableado. Si crees que no tienes suficiente experiencia o conocimientos sobre cableado eléctrico, contrata a un electricista certificado.



ADVERTENCIA: Los diagramas eléctricos son sólo para referencia. Cualquier juego de luces opcional deberá estar aprobado por UL y marcado como adecuado para usar con este ventilador.



ADVERTENCIA: Para reducir el riesgo de incendio, descarga eléctrica o lesiones personales, instala en una caja eléctrica clasificada como "apropiada para sostener ventiladores de 15.9 kg o menos" y usa los tornillos que vienen con ella.

Garantía

El proveedor garantiza de por vida, a partir de la fecha de adquisición por el comprador original, que el motor del ventilador no presenta defectos de fabricación ni de materiales al momento del envío desde la fábrica. El proveedor también garantiza, por un año a partir de la fecha de adquisición por el comprador original, que ninguna de las demás piezas del ventilador, sin incluir las aspas de vidrio o acrílico, presenta defectos de fabricación o de material al momento del envío desde la fábrica. Estamos de acuerdo en reparar todos los defectos del tipo antencionado sin cargo alguno o, a nuestra discreción, reemplazar el producto por un modelo de igual o calidad superior, si el producto es devuelto. Para obtener servicio de garantía tiene que presentarse una copia del recibo como comprobante de compra. Todos los costos de desmontaje y reinstalación del producto son responsabilidad del cliente. Los daños a cualquier pieza como resultado de accidentes, uso indebido, instalación inadecuada o instalación de cualquier accesorio, no están cubiertos por esta garantía. Debido a las condiciones climáticas cambiantes, esta garantía no cubre ningún cambio en el acabado en bronce, incluyendo óxido, perforación, corrosión, manchas y descascamiento. Este tipo de acabados en latón alargan la vida útil al proteger contra las condiciones climáticas cambiantes. Cierta "oscilación" es normal y no debe considerarse un defecto. Cualquier servicio prestado por personal no autorizado invalidará la garantía. No hay ninguna otra garantía expresa. Por este medio, Hampton Bay queda exonerado de todas y cada una de las garantías, incluyendo, pero sin limitarse a, aquellas de comercialización e idoneidad para un fin particular en el alcance fijado por la ley. La duración de cualquier garantía implícita que no se pueda eximirse se limitará al plazo especificado en la garantía explícita. Algunos estados no permiten limitar la duración de la garantía, así que la limitación anterior pudiera no aplicarse a su caso. El minorista no será responsable por daños directos, indirectos o especiales que resulten o deriven del uso o funcionamiento del producto, excepto en los casos estipulados por la ley. Algunos estados no permiten excluir ni limitar daños directos o indirectos, así que la limitación o exclusión anterior pudiera no aplicarse a su caso. Esta garantía otorga derechos legales específicos y es posible que usted tenga también otros derechos, que varían de un estado a otro. Esta garantía sustituye todas las garantías anteriores. Los costos de envío de cualquier devolución de productos como parte de reclamación de garantía tienen que pagarse por el cliente.

Comuníquese con el equipo de servicio al cliente por el teléfono 1-855-HD-HAMPTON o visite www.HamptonBay.com.

Preinstalación

ESPECIFICACIONES

Tamaño	Velocidad	Voltios	Amperes	Vatios	RPM	CFM	Peso neto	Peso bruto	Pies cúbicos
1.3 m	Baja	120	0.23	13	75	1992	18.08 lb (8.2 kg)	20.72 lb (9.4 kg)	1.80 cu.ft.
	Media		0.33	27	110	2931			
	Alta		0.47	57	165	4271			



NOTA: Estas medidas son aproximadas. No incluyen ni el amperaje ni el vataje consumido por el kit de luces.

HERRAMIENTAS NECESARIAS



Destornillador
Phillips



Destornillador
plano



Llave
ajustable



Cinta de
electricista



Cortacables /
pelacables



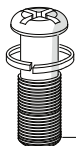
Escalera de tijera

Preinstalación (continuación)

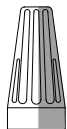
HERRAJES INCLUIDOS



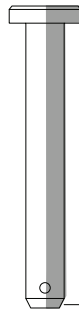
NOTA: Los herrajes no se muestran en su tamaño real.



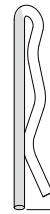
AA



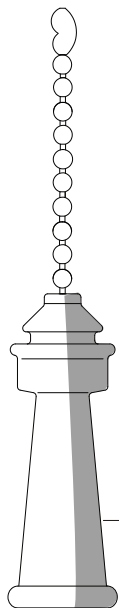
BB



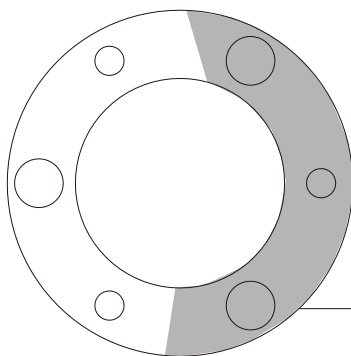
CC



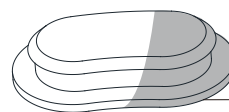
DD



EE



FF



GG

Pieza	Descripción	Cantidad
AA	Tornillo adicional para soporte de aspas	1
BB	Conector plástico para cables	3
CC	Pasador de soporte	1
DD	Pasador de cierre	1
EE	Interruptor de cadena	1
FF	Junta de goma	1
GG	Tapón impermeable en la caja del interruptor	1

Preinstalación (continuación)

CONTENIDO DEL PAQUETE



A



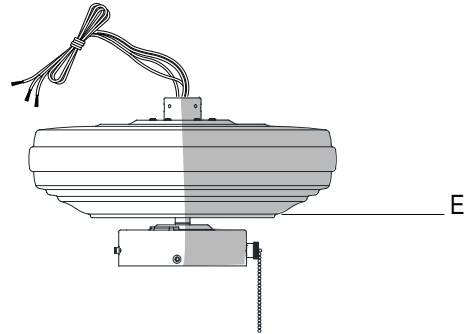
B



C



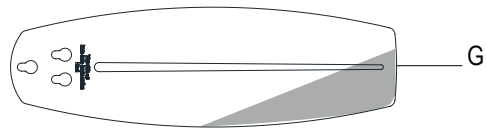
D



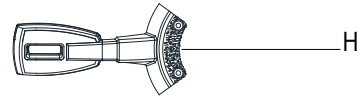
E



F



G



H

Pieza	Descripción	Cantidad
A	Soporte de montaje deslizante (dentro de la cubierta)	1
B	Conjunto de tubo bajante/bola	1
C	Cubierta	1
D	Cubierta del acoplamiento	1
E	Conjunto del motor y el ventilador	1

Pieza	Descripción	Cantidad
F	Cubierta de la caja del interruptor	1
G	Aspa	5
H	Soporte de aspa	5



IMPORTANTE: Este producto o sus componentes están protegidos por una o más de las siguientes patentes de los EE. UU.: 5,947,436; 5,988,580; 6,010,110; 6,046,416, 6,210,117 y otras patentes pendientes.

Instalación

OPCIONES DE MONTAJE

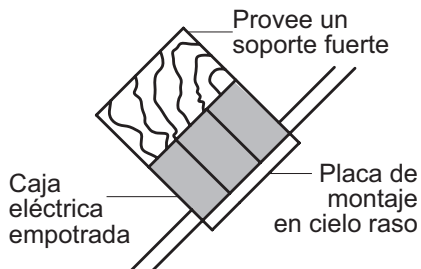
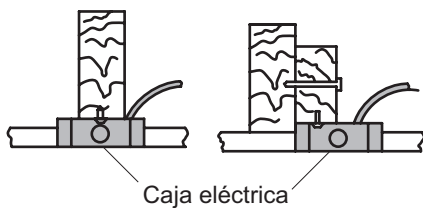
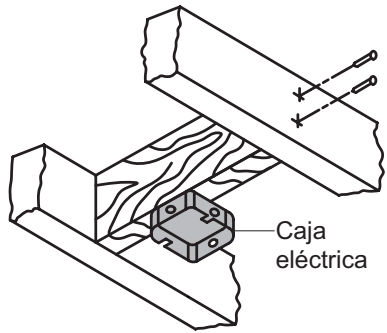


ADVERTENCIA: Para reducir el riesgo de incendio, descarga eléctrica o lesiones personales, instala en una caja eléctrica clasificada como “apropiada para sostener ventiladores de 15.9 kg o menos” y usa los tornillos de montaje que vienen con ella. Las cajas eléctricas utilizadas comúnmente para el soporte de lámparas pudieran no servir como soporte de ventilador y tal vez deban reemplazarse. En caso de duda, consulta a un electricista calificado.

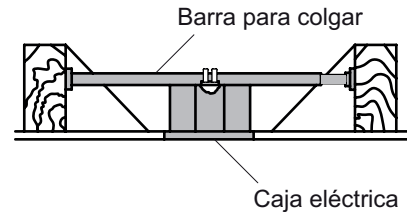
Si tu ventilador de techo no tiene una caja de montaje aprobada por UL, instala una siguiendo las instrucciones a continuación:

- Desconecta la energía retirando los fusibles o apagando los cortacircuitos.
- Asegura la caja eléctrica directamente a la estructura de la edificación. Usa sujetadores y materiales apropiados. La caja eléctrica y su soporte tienen que poder sostener el peso completo del ventilador en movimiento (al menos 15.9 kg). No uses una caja eléctrica de plástico.

Las ilustraciones a continuación muestran tres formas distintas de montar la caja eléctrica.



NOTA: Tal vez necesites un tubo bajante más largo para mantener la altura mínima adecuada de las aspas al instalar el ventilador en un cielo raso inclinado. El ángulo máximo permitido es de 30° con respecto a la horizontal.



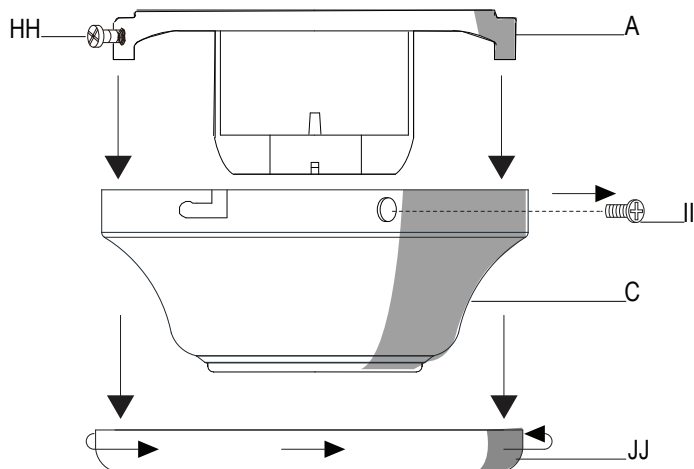
Si la cubierta (C) toca el conjunto del tubo bajante/bola (B), retira la tapa inferior decorativa de la cubierta y gira esta última 180° antes de fijarla a la placa de montaje.

Para colgar el ventilador donde haya una lámpara, pero ninguna viga de techo, tal vez necesites una barra de instalación colgante como se muestra arriba (disponible en cualquier tienda de The Home Depot).

Ensamblaje - Montaje estándar en el cielo raso

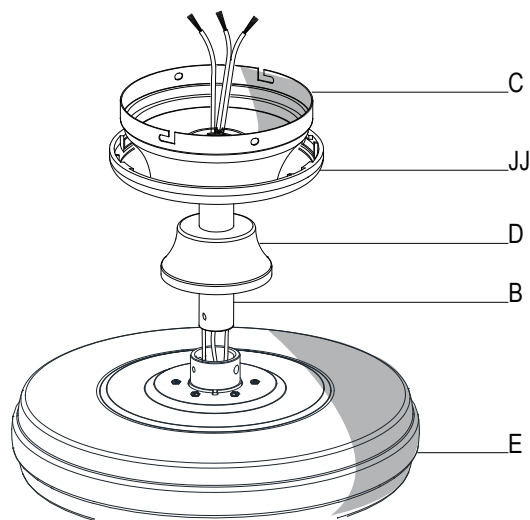
1 Preparación para montaje estándar

- ❑ Retira de la cubierta (C) su aro (JJ) girándolo hacia la izquierda hasta soltarlo.
- ❑ Retira el soporte de montaje (A) de la cubierta (C) aflojando los dos tornillos de esta (HH) ubicados en las ranuras en L.
- ❑ Quita y guarda los dos tornillos de la cubierta (II) en los orificios redondos. Esto te permitirá retirar el soporte de montaje (A).



2 Disposición de los cables

- ❑ Inserta los cables que salen por la parte superior del conjunto del motor y el ventilador (E) a través del centro del aro de la cubierta (JJ). Asegúrate de que las ranuras del aro de la cubierta (JJ) estén en la parte superior.
- ❑ Inserta el tubo bajante/bola (B) a través de la cubierta (C) y desliza la cubierta decorativa del collarín del motor (D) en el extremo del tubo bajante/bola (B). Asegúrate de que las ranuras de la cubierta (C) estén en la parte superior.
- ❑ Inserta los cables que salen por la parte superior del ensamblaje del motor del ventilador (E) a través del tubo bajante (B) como se muestra.

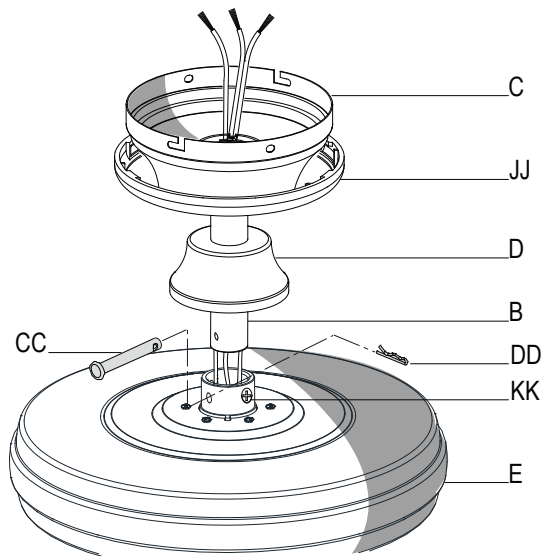


3 Cómo ensamblar el ventilador



ADVERTENCIA: Si el pasador de cierre no se instala correctamente (DD), es posible que el ventilador se afloje y caiga.

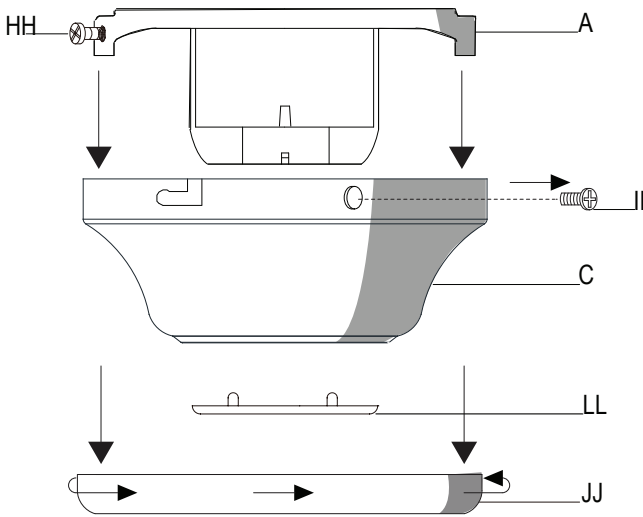
- ❑ Afloja, sin quitar, los tornillos de fijación (KK) ubicados en la parte superior del conjunto del motor y el ventilador (E).
- ❑ Alinea los orificios en la parte inferior del conjunto del tubo bajante/bola (B) con los orificios en el collarín de la parte superior del conjunto del motor y el ventilador (E).
- ❑ Inserta con cuidado el pasador de soporte (CC) a través de los orificios del collarín y del conjunto del tubo bajante/bola (B). Ten cuidado de no forzar el pasador de soporte (CC) contra el cableado dentro del conjunto del tubo bajante/bola (B).
- ❑ Inserta el pasador de cierre (DD) en el orificio cercano al extremo del pasador de soporte (CC) hasta que quede encajado en su posición.
- ❑ Vuelve a apretar los tornillos de fijación (KK) del collarín ubicados en la parte superior del conjunto del motor y el ventilador (E).



Ensamblaje - Montaje cerca del cielo raso

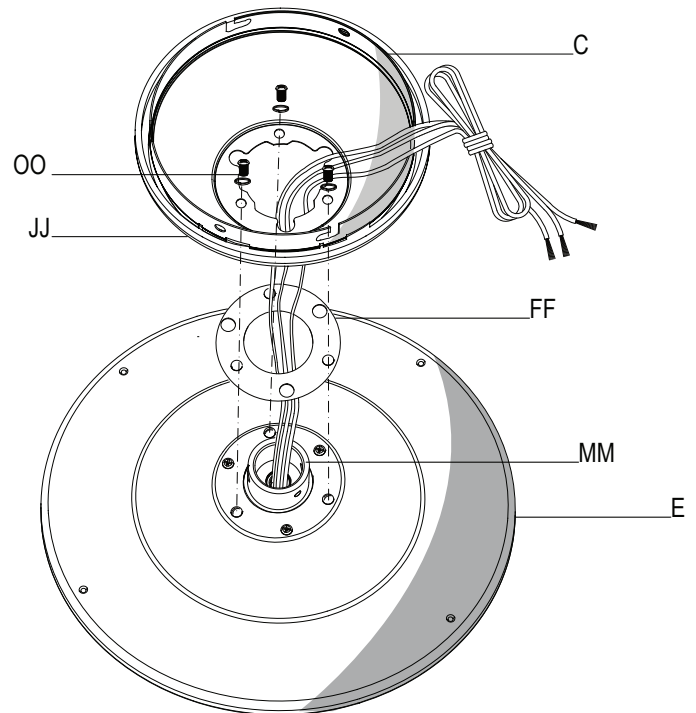
1 Preparación para el montaje

- Retira de la cubierta (C) su aro (JJ) girándolo hacia la izquierda hasta liberarlo.
- Retira el soporte de montaje (A) de la cubierta (C) aflojando los dos tornillos de esta (HH) ubicados en las ranuras en L.
- Quita y guarda los dos tornillos de la cubierta (II) en los orificios redondos. Esto te permitirá retirar el soporte de montaje (A).
- Retira la cubierta inferior decorativa (LL) de la cubierta (C) oprimiendo los tres pernos ubicados en el interior de la parte inferior de la cubierta.



2 Disposición de los cables

- Retira tres de los seis tornillos y arandelas de seguridad (OO) (alternados) que sujetan el collarín del motor a la parte superior del conjunto del motor y el ventilador (E).
- Pasa los cables que salen de la parte superior del conjunto del motor y el ventilador (E) a través de la junta de goma (FF) y alinea los orificios de la junta (FF) con los tres orificios para los tornillos del conjunto del motor y el ventilador (E).
- Pasa los cables que salen de la parte superior del conjunto del motor y el ventilador (E) a través del aro de la cubierta (JJ) y la cubierta (C) (asegúrate de que las aberturas en forma de ranura para el aro de la cubierta y la cubierta misma estén en la parte superior). Coloca la cubierta (C) sobre el collarín (MM) en la parte superior del motor (E).
- Alinea los orificios de montaje de la cubierta (C) con los orificios para los tornillos del motor (E) y asegura con los tres tornillos y arandelas de seguridad (OO) (retirados anteriormente). Aprieta bien los tornillos de montaje.



Ensamblaje - Cómo colgar el ventilador

1 Cómo fijar el ventilador a la caja eléctrica

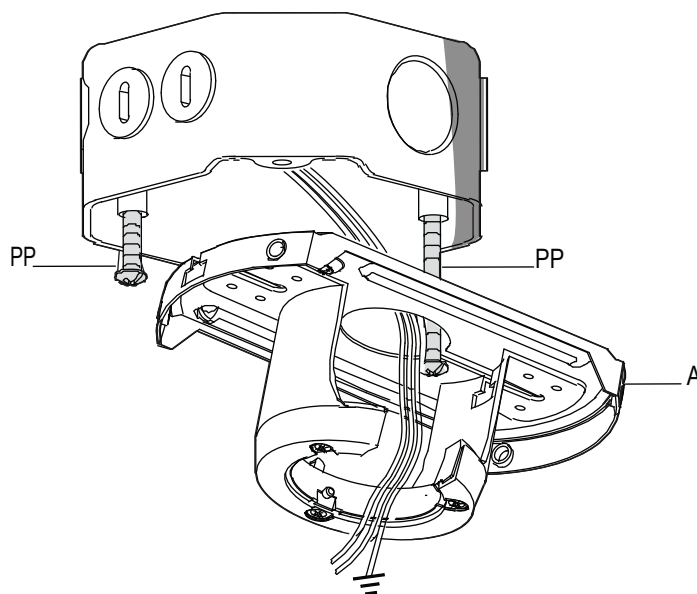


ADVERTENCIA: Para reducir el riesgo de incendio, descarga eléctrica o lesiones personales, instala en una caja eléctrica clasificada como “apropiada para sostener ventiladores de 15.9 kg o menos” y usa los tornillos de montaje que vienen con ella.



NOTA: El soporte de montaje (A) está diseñado para deslizarse en su lugar sobre una caja eléctrica con los tornillos de esta (PP).

- Afloja los dos tornillos de montaje (PP) de la caja eléctrica.
- Pasa los cables de suministro de 120 V a través del orificio central en el soporte de montaje deslizante (A).
- Instala el soporte de montaje deslizante (A) sobre la caja eléctrica deslizando el soporte (A) sobre los dos tornillos (PP) suministrados con la caja. Si es necesario, usa arandelas niveladoras (no se incluyen) entre el soporte de montaje deslizante (A) y la caja eléctrica. El lado plano del soporte de montaje deslizante (A) debe mirar hacia la caja eléctrica, como se muestra.
- Ajusta firmemente los dos tornillos de montaje (PP).



2 Cómo colgar el ventilador

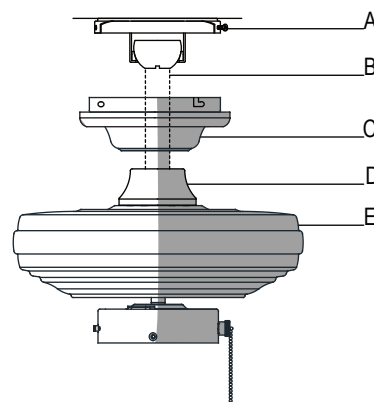
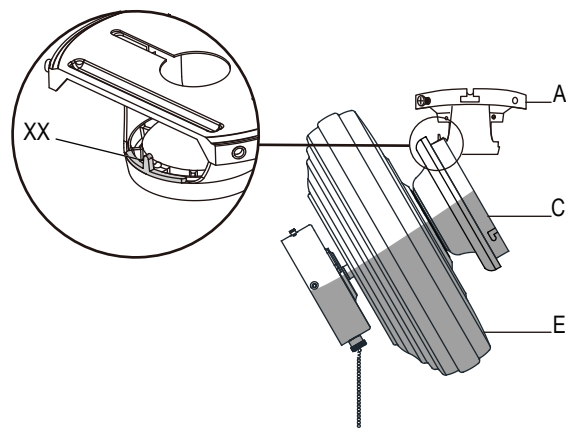


ADVERTENCIA: El gancho (XX) se usa tan solo para sostener el ventilador mientras se hacen las conexiones eléctricas. Si no se cuelga como se muestra, el gancho (XX) puede romperse y el ventilador se caerá. El gancho debe pasar de adentro hacia fuera de la cubierta.



ADVERTENCIA: Al colgar el ventilador en el gancho (XX), es fundamental que uses uno de los orificios sin ranura (redondos) de la cubierta (C).

- Con cuidado, levanta el conjunto del motor y el ventilador (E) hasta el soporte de montaje deslizante (A).
- Inserta la bola de soporte del conjunto del tubo bajante/bola (B) en el casquillo del soporte de montaje deslizante (A).
- Gira el conjunto del tubo bajante/bola (B) hacia la derecha hasta que encaje con la pestaña del soporte de montaje deslizante alineada con la ranura de la bola.
- Si montas cerca del cielo raso, cuelga el ventilador del gancho suministrado usando uno de los orificios en el borde exterior de la cubierta de techo (C).



Ensamblaje - Cómo colgar el ventilador (continuación)

3 Cómo hacer las conexiones eléctricas



ADVERTENCIA: Cada cable no suministrado con este ventilador está diseñado para aceptar un cable eléctrico doméstico calibre 12 como máximo y dos cables del ventilador. Si tu cableado doméstico tiene calibre mayor de 12 o más de un cable para conectar al cableado del ventilador, consulta a un electricista para saber el tamaño adecuado de las tuercas a usar para los cables.



ADVERTENCIA: Quita los tapones de goma del motor en la parte inferior del ventilador antes de instalar las aspas o de probar el motor.



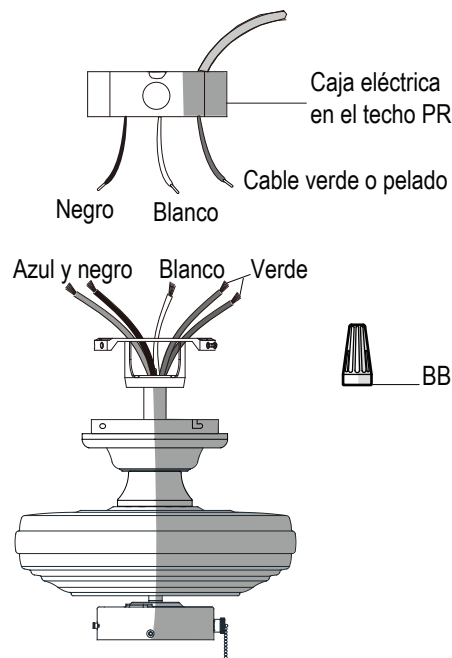
IMPORTANTE: Usa los conectores de cables plásticos (BB) incluidos con tu ventilador. Sujeta los conectores con cinta de electricista y asegúrate de que no haya conexiones ni cables sueltos.



NOTA: El ventilador viene con cables terminales de 1.37 m para usar con un conjunto extendido de tubo bajante/bola. Si usas el conjunto extendido de tubo bajante/bola (B) de 11.4 cm incluido, puedes recortar los cables terminales al largo deseado (no menos de 30.5 cm).

- El ventilador viene con cables terminales de 137 cm para usar con un conjunto extendido de tubo bajante/bola. Si usas el conjunto extendido de tubo bajante/bola (B) de 11.4 cm incluido, puedes recortar los cables terminales al largo deseado (no menos de 30.5 cm). Esto dejará más espacio en la cubierta (C). Si no quieres cortar los cables, deberás enrollarlos cuidadosamente.

- Conecta los cables verdes del motor del ventilador a los cables verde o pelado del hogar usando una tuerca de conexión de cables (BB).
- Conecta el cable blanco del motor del ventilador al cable blanco del hogar usando una tuerca de conexión de cables (BB).
- Conecta los cables negro o azul del motor del ventilador al cable negro del hogar usando una tuerca de conexión de cables (BB).
- Asegura cada tuerca de conexión de cables con cinta de electricista.
- Gira la tuerca de conexión de cables (BB) hacia arriba y coloca el cableado dentro de la caja eléctrica.

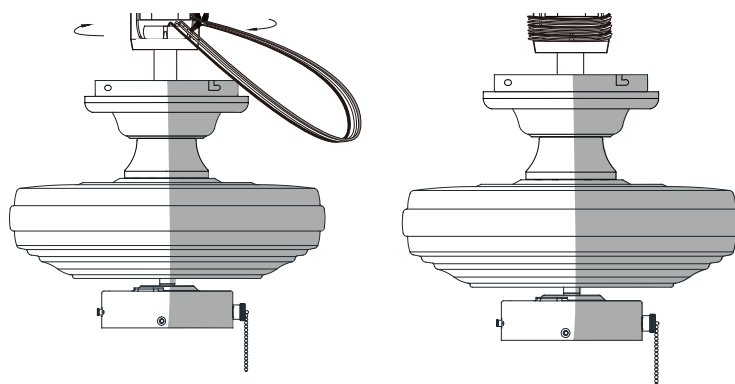


4 Cómo enrollar el cable sobrante



NOTA: Sigue estos pasos SÓLO si no cortaste el cable sobrante del ventilador de techo.

- Con cuidado, enrolla el exceso de cable alrededor del soporte de montaje (A).
- Asegura los cables con cinta de electricista.



Ensamblaje - Cómo colgar el ventilador (continuación)

5 Cómo montar el conjunto del motor y el ventilador (montaje estándar)

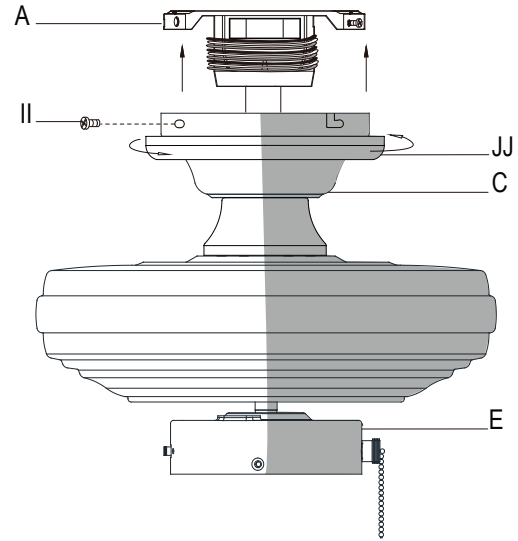


ADVERTENCIA: Cuando uses el conjunto del tubo bajante/bola estándar, la pestaña en el aro en la parte inferior del soporte de montaje tiene que encajar en la ranura de la bola de soporte. Si la pestaña no se asienta correctamente en la ranura, se puede dañar el cableado.



ADVERTENCIA: Las ranuras de cierre de la cubierta del techo sólo sirven de ayuda durante la instalación. No debes de vigilar el ensamblaje del ventilador hasta que los cuatro tornillos de la cubierta estén fijos y firmemente ajustados.

- Alinea las ranuras de cierre de la cubierta (C) con los dos tornillos (HH) del soporte de montaje (A). Empuja hacia arriba para enganchar las ranuras y gira hacia la derecha para asegurarlas en su lugar.
- Ajusta firmemente los dos tornillos de montaje (HH).
- Instala los dos tornillos de cubierta (II) (guardados en el Paso 1 del Ensamblaje “Cómo preparar la instalación”) en los orificios de la cubierta (C) y apriétalos firmemente.
- Instala el aro de cubierta decorativo (JJ) alineando las ranuras del aro con los tornillos en la cubierta (C). Gira el aro hacia la derecha para fijarlo en su lugar.

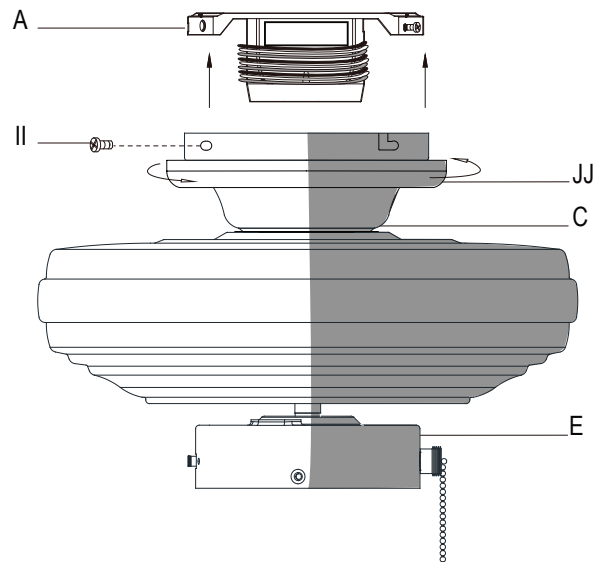


6 Cómo montar el conjunto del motor y el ventilador (montaje cerca del techo)



ADVERTENCIA: Las ranuras de cierre de la cubierta del techo sólo sirven de ayuda durante la instalación. No debes de vigilar el ensamblaje del ventilador hasta que los cuatro tornillos de la cubierta estén fijos y firmemente ajustados.

- Con cuidado, desengancha el ventilador del soporte de montaje (A) y alinea las ranuras de cierre de la cubierta del techo (C) con los dos tornillos en el soporte de montaje (A). Empuja hacia arriba para enganchar las ranuras y gira hacia la derecha para asegurarlas en su lugar. Inmediatamente aprieta con firmeza los dos tornillos de montaje.
- Instala los dos tornillos de montaje (II) (guardados en el Paso 1 del Ensamblaje, “Cómo preparar la instalación”) en los orificios de la cubierta (C) y aprieta firmemente.
- Instala el aro de cubierta decorativo (JJ) alineando las ranuras del aro con los tornillos en la cubierta (C). Gira el aro hacia la derecha para fijarlo en su lugar.
- Ahora puedes fijar las aspas del ventilador.



Ensamblaje - Cómo fijar las aspas del ventilador

1 Cómo fijar los soportes de las aspas al motor



ADVERTENCIA: Quita los tapones de goma del motor en la parte inferior del ventilador antes de instalar las aspas o de probar el motor.

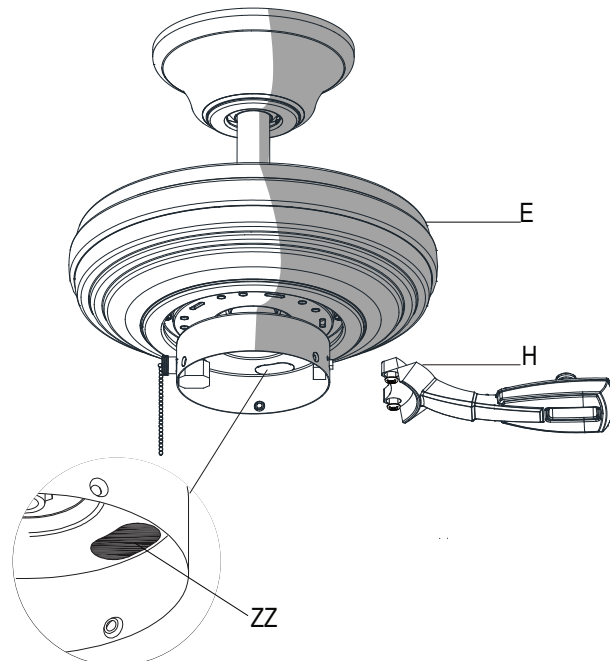


IMPORTANTE: La cubierta de la caja del interruptor tiene un orificio de acceso (ZZ) para permitir que el destornillador llegue a los tornillos en el soporte del asa. Coloca el soporte del asa sobre el motor y aprieta insertando el destornillador a través del orificio de acceso (ZZ).



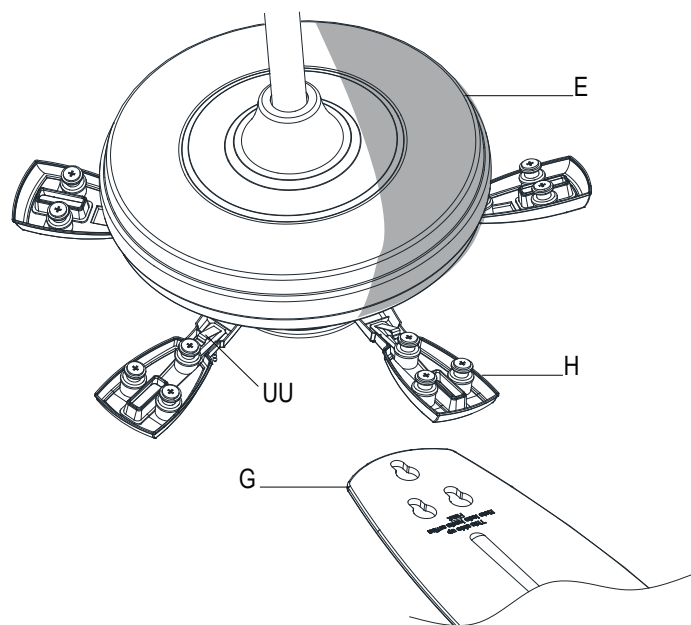
NOTA: Tu ventilador cuenta con avances novedosos para facilitar y acelerar la instalación de las aspas, incluyendo un poste de alineación y tornillos fijos para el soporte de asa.

- Fija los soportes de asa (H) al conjunto del motor y el ventilador (E) insertando el poste de alineación dentro de la ranura de la parte inferior del motor y ajustando los tornillos preinstalados del soporte de asa insertando un destornillador a través del orificio de acceso (ZZ).
- Repite este paso para los soportes de asa restantes girando el motor hasta que se pueda acceder al siguiente tornillo de soporte de asa a través del orificio de acceso (ZZ) en la cubierta de la caja del interruptor.
- Empuja el tapón impermeable (GG) dentro del orificio de acceso (ZZ) en la caja del interruptor.



2 Cómo fijar las aspas a sus soportes

- Monta las aspas del ventilador (G) al soporte de asa (H) alineando los tres orificios tipo ojo de cerradura en el asa (G) con los tres postes de la parte superior del soporte (H).
- Sostén el asa (G) con ambas manos cerca de su soporte (H) y presiona hacia abajo con firmeza. Asegúrate de que los orificios tipo ojo de cerradura estén correctamente apoyados sobre los postes del soporte del asa (H).
- Mientras sujetas el asa (G) hacia abajo con ambas manos, deslízala (G) hasta que se acople al mecanismo de cierre (UU). Asegúrate de que el mecanismo de cierre (UU) en la parte posterior del soporte del asa (H) se eleve y haga tope contra el borde del asa (G) para indicar conexión segura.
- Revisa la parte superior del soporte del asa (H) para garantizar que el mecanismo de cierre esté asegurado en su lugar.
- Repite este procedimiento para las aspas restantes (G).



Ensamblaje - Cómo instalar la caja del interruptor

1 Cómo instalar la caja del interruptor

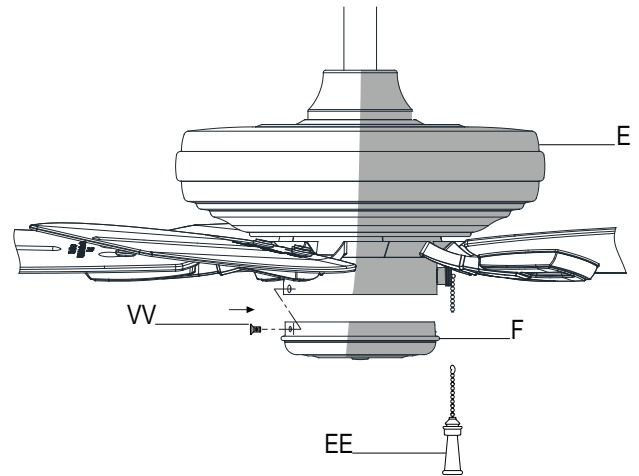


PRECAUCIÓN: Para disminuir el riesgo de descarga eléctrica, desconecta el circuito eléctrico del ventilador antes de instalar la lámpara.



NOTA: Marca la posición del interruptor deslizante del ventilador. Este es el interruptor utilizado para cambiar la dirección de rotación del ventilador. Para más información sobre la operación del interruptor, consulta *Cómo usar tu ventilador* en la página 13.

- ❑ Quita los tres tornillos (VV) de la cubierta de la caja del interruptor (F) y guárdalos.
- ❑ Alinea los tres orificios en la caja del interruptor debajo del conjunto del motor y el ventilador (E) con los tres orificios en la cubierta de la caja del interruptor (F). Asegúrate de que la muesca en la cubierta de la caja del interruptor (F) permita que el interruptor de reversa en la caja se mueva libremente.
- ❑ Coloca la cubierta de la caja del interruptor (F) y vuelve a colocar los tres tornillos que fueron retirados en el primer paso para asegurar dicha cubierta (F).
- ❑ Sujeta las extensiones del interruptor de cadena (EE) a dicho interruptor.



Operación

CÓMO USAR TU VENTILADOR

Enciende la fuente de electricidad y verifica el funcionamiento del ventilador. La cadena del interruptor controla las velocidades del ventilador de la siguiente manera:

1 vez: alta, 2 veces: media, 3 veces: baja y 4 veces: apagado

Las configuraciones de velocidad apropiadas para clima cálido o frío dependen de factores como el tamaño de la habitación, la altura del techo y la cantidad de ventiladores.

El interruptor deslizante (XX) controla el sentido de giro de las aspas: adelante (hacia la izquierda) o en reversa (hacia la derecha).

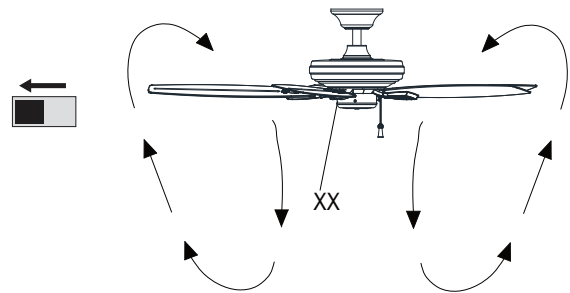


NOTA: Espera a que se detenga el ventilador antes de invertir la dirección de giro de las aspas.

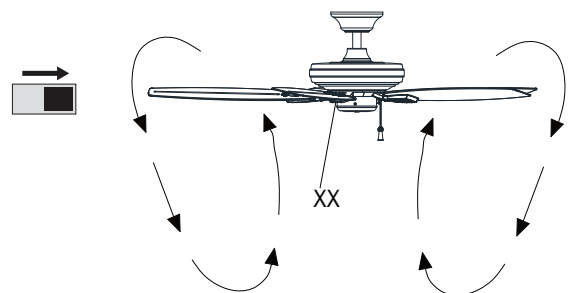
A. Clima cálido - (Hacia adelante) Un flujo de aire descendente surte un efecto refrescante. Esto te permite programar el aire acondicionado en una configuración más alta sin afectar tu comodidad.

B. Clima frío - (Reversa) Un flujo de aire hacia arriba desplaza el aire cálido lejos del cielo raso. Esto te permite fijar la unidad de calefacción en configuración más baja sin afectar tu comodidad.

A. Clima cálido



B. Clima frío



Mantenimiento y limpieza



ADVERTENCIA: Asegúrate de que la corriente esté apagada antes de limpiar el ventilador.

- Debido al movimiento natural del ventilador, algunas conexiones pueden aflojarse. Revisa dos veces al año las conexiones de soporte, los soportes y los accesorios de las aspas. Comprueba que estén seguros. No es necesario desmontar el ventilador del techo.
- Limpia tu ventilador con frecuencia, para que luzca como nuevo al paso de los años. No uses agua al limpiar; esto puede dañar el motor o la madera e incluso provocar descargas eléctricas. Usa sólo un cepillo suave o un paño sin pelusas para evitar arañar el acabado. El revestimiento está sellado con laca para minimizar la decoloración u opacidad.
- Puedes aplicar a la madera una fina capa de pulimento para muebles y asegurar así mayor protección y superior belleza. Cubre los arañazos pequeños con una leve aplicación de lustrador para calzado.
- No necesitas lubricar el ventilador. El motor tiene cojinetes de bola sellados y permanentemente lubricados.

Solución de problemas

Problema	Solución
El ventilador no enciende	<ul style="list-style-type: none">□ Verifica fusibles o cortacircuitos principales y secundarios.□ Verifica las conexiones de cables en línea con el ventilador y las conexiones de cables del interruptor en la caja de interruptores.
El ventilador hace ruido	<ul style="list-style-type: none">□ Asegura que todos los tornillos de la carcasa del motor estén ajustados.□ Asegúrate de que los tornillos que unen el soporte de aspa al cuerpo del motor estén bien apretados.□ Asegúrate de que las conexiones de tuerca de cable no choquen unas con otras ni con la pared interior de la caja del interruptor.□ Deja que transcurra un período de “adaptación” de 24 horas. En ese período desaparecen la mayoría de los ruidos asociados a un ventilador nuevo.□ Si usas el kit de luces de ventilador de techo, asegúrate de que los tornillos que sujetan el vidrio estén bien apretados. Verifica que las bombillas también estén aseguradas.□ Asegúrate de que la cubierta esté a corta distancia del techo. No debe tocar el techo.□ Asegura que la caja eléctrica quede bien ajustada y que se hayan instalado almohadillas aislantes de goma entre la placa de montaje y la caja eléctrica.
El ventilador oscila	<ul style="list-style-type: none">□ Verifica que todas las aspas y los tornillos de sus brazos estén bien ajustados.□ La mayoría de los problemas de oscilación del ventilador se deben a que las aspas no están al mismo nivel. Verifica este nivel seleccionando un punto en el techo sobre la punta de una de las aspas. Mide desde un punto en el centro de cada aspa al punto en el cielo raso. Mide esta distancia. Gira el ventilador hasta que la siguiente aspa quede bien colocada para medir. Repite el procedimiento para cada aspa. Las desviaciones de la medición no deben pasar de 0.3 cm. Enciende el ventilador durante diez minutos. Si el ventilador continúa oscilando, comunícate con el servicio al cliente y te enviarán un kit de compensación de aspas, sin costo alguno.



¿Preguntas, problemas o piezas faltantes? Antes de devolver a la tienda,
llama al servicio al cliente de Hampton Bay,
de 8:00 a.m. a 7:00 p.m. (Hora Estándar del Este), de lunes a viernes,
y los sábados de 9 a.m. a 6 p.m. (Hora Estándar del Este).

1-855-HD-HAMPTON

HAMPTONBAY.COM

Conserva este manual para uso futuro.