

SINK SPECIFICATIONS

SINGLE BOWL Farmhouse
Model LAW3020R1

FEATURED MODEL LAW3020R1

10" BOWL DEPTH

FEATURES

FIRECLAY

- 10mm radius corners
- Elegant and functional drain grooves
- Long-lasting, easy-to-clean, glossy interior and matte exterior finish
- Center drain placement
- Reversible for flat apron front or grooved apron front

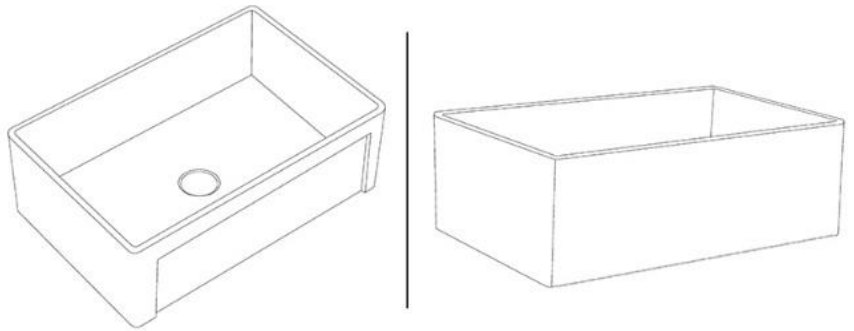
PACKING LIST

- SINK
- STRAINER

NOTE: Due to the nature of the material, models can differ up to 5mm from the listed dimensions. We advise that you do not cue your countertop based off of the dimensions in the specifications area of the website, but instead wait until your sink arrives to measure and cut the countertop to measure and cut the countertop to ensure a perfect fit.

This Sink comes with Sink MJ285R and Strainer VGSTRAINERFH.

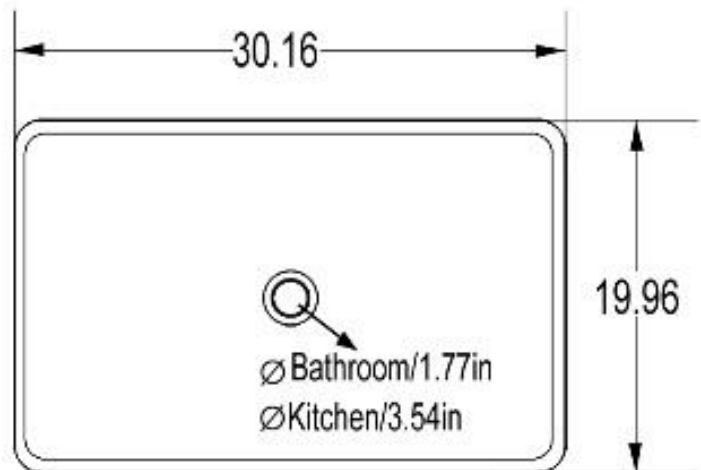
NOTE: Customer needs to select the flat or grooved front and proceed accordingly.



NOMINAL DIMENSIONS

MODEL#	SINK DEPTH	EXTERIOR
LAW3020R1	10.04"	30.16" × 19.96"

UNIT:inch



Installation instructions Farmhouse Sinks

General Recommendations:

Read installation and maintenance instructions thoroughly before installation. Inspect your sink for any noticeable damage before installation. Check all local applicable plumbing and building codes.

These instructions are based on application to composite material or solid surface countertop installation only; countertop application to stone, marble, granite or butcher-block should be referred to experienced countertop fabricator for custom installation.

LORDEAR Farmhouse series sinks are individually hand-crafted and LORDEAR suggests using experienced and professional installers only. For custom cutting of countertop and installation of the actual sink, on-site installation is also recommended. Acceptable variances are approximately 1/2 of an inch. Alignment to cut-out and precise application and trimming of any adhesive sealant are critical to a superior fit and finished look. Please take extra care in this regard.

LORDEAR Farmhouse series sinks require custom order cabinets. Consult your cabinet dealer.

LORDEAR does not accept any liability for damage to countertop, sink fixture, faucets or personal injury during installation. Warranty is void if installation instructions are not followed.

Tools and Materials needed:

Tape Measure	Denatured Alcohol	Wood Braces
Pencil (NOT ink)	Ear Protection	Framing Square
Silicone Adhesive Sealant	Eye Protection	Shims
Rags	Hacksaw/jigsaw	

Be sure to use proper tools and always wear personal safety accessories for your protection.

Installation Options:

LORDEAR Farmhouse series sinks offer installation options depending on your design.

Under mount Installation (Recommended)

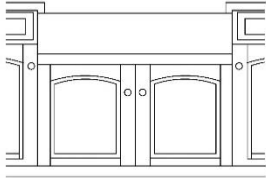


Figure 1

Flush mount Installation

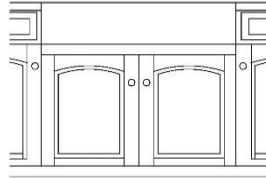


Figure 2

Above counter Installation

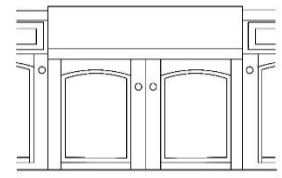


Figure 3

Caution: All installation types need to allow room for faucet installation. Ensure adequate clearance behind the sink for any faucet and backsplash, as well as range of motion for faucet spouts and handles.

Typical under mount installation with 1/4" reveal recommended.

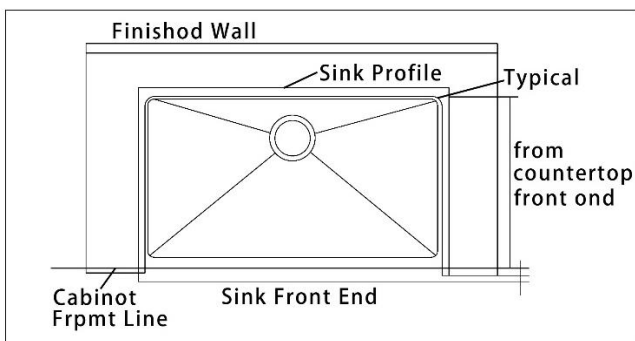


Figure 4

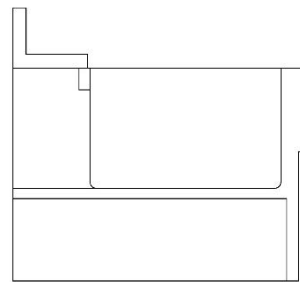


Figure 5

Typical flush mount and above counter installation.

Above counter installation may expose sink sides to be raised above the countertop.

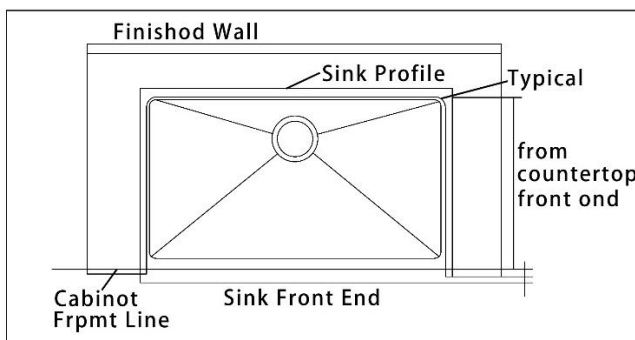


Figure 6

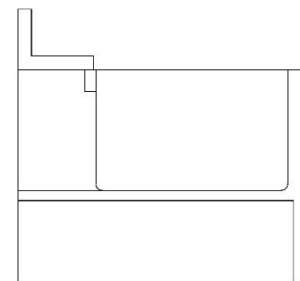


Figure 7

Contact your retailer if any product is damaged or missing prior to installation. Never install a damaged sink as it can void your warranty.

1. Prepare the sink base cabinet

Farmhouse sinks require custom order sink base cabinets with a front cutout to accommodate a 10" deep sink. Build structural supports on the inside frame of the sink base cabinet. The structural supports must support the weight of the sink and any attachments such as garbage disposals. When the sink is placed onto the cabinet support, make sure the top of the sink is evenly flush against the bottom of the countertop. Allow clearance for water supply line and drains or garbage disposal, as necessary.

2. Make template and cutout

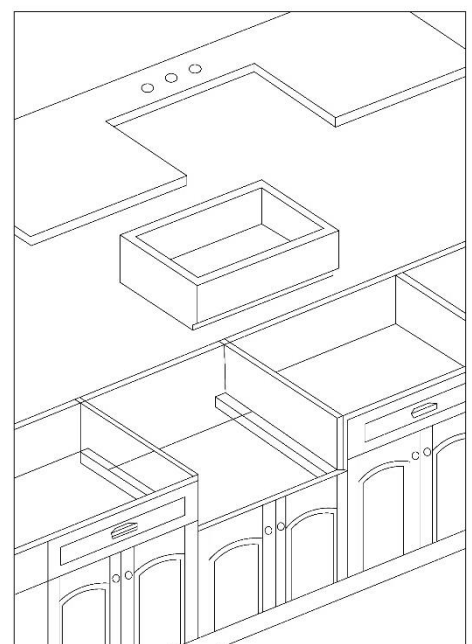
Depending on the installation option, make proper cutout of the countertop. LORDEAR recommends a 1/4" reveal on 3 sides when installed under mount style. For a flush mount or above counter installation, cut countertop along with outside of sink profile. Front end of LORDEAR Farmhouse sinks are designed to be installed 3/4" extended out beyond the front end of the countertop. Cut countertop accordingly. No template is provided due to the custom nature of each application and installation. The actual sink is used as the template guide for each installation. After centering the sink and allowing for faucets and backsplashes, use a pencil to outline the sinks as your guide for the cutout, allowing for any reveal before the actual cutting.

3. Set the sink

Set the sink on top of the cabinet or into the cabinet front cutout. Apply sealant if necessary as a gasket between the sink and cabinet.

4. Install the countertop

Carefully clean bottom of countertop and top flange of sink with denatured alcohol. Apply bead of silicone adhesive (not supplied) around the top edge of the sink. Place countertop onto the sink. Recommended by manufacture of adhesive sealant.



Care and Maintenance

ALWAYS

- Clean everyday by thoroughly rinsing with a mild soap and warm water and wipe dry.
- Rub lightly with a soft cloth in the direction of grain lines on a regular basis for additional preventative cleaning.
- Keep the sink free of any standing water as this can cause a buildup of mineral deposit, which can affect the appearance of your sink.
- Always rinse the sink after using any cleaning agent and wipe dry. Clean any mineral deposits built up over time with a mild solution of vinegar and water followed by a thorough flushing with water.

NEVER

- Use a steel wool or scoring pad as it damages the sink surface and causes discoloration.
- Let household cleaning agents or bleach sit in your sink for long period of time as this may ruin the finish of your sink.
- Leave rubber mats, sponges, or cleaning pads in the sink for long period of times as this may ruin the finish of your sink.
- Use any drain cleaning products containing sulfuric acid or hydrochloric acid as this will attack the sink. Sliver cleaners can also contain acids that will damage the sink surface.
- Use the inside of the sink as cutting surface.

LORDEAR warrants the product to be free from defects in workmanship and materials under normal use and service for the period commencing from the initial date of purchase by the owner or end-user, contractor, or builder, from LORDEAR or an authorized LORDEAR dealer, through the lifetime of the original owner or end-user.

one (1) year from the initial date of purchase, any product reported to the authorized dealer or to LORDEAR as being defective within the warranty period will be repaired or replaced or replaced (with a product of equal value) at the option of LORDEAR. This warranty extends to the original owner or end-user and is not transferable to a subsequent owner.

Limitations

This warranty shall not apply to instances of incorrect operating procedures, breakages, or damages caused by fault through improper installation, carelessness, abuse, misuse. Misapplication, improper maintenance, or alteration of the product, as well as chemical or natural corrosion, accident, fire, flood, an act of god, or any other casualty. Avoid abrasive cleaners, steel wools, and harsh chemicals as these will scratch, damage, and/ or dull the product and / or finish and void this warranty. The owner/end-user of the product covered by the present warranty is entirely responsible for its proper installation and any applicable plumbing or electrical wiring, LORDEAR neither installs nor supervises the installation nor hires a contractor for this purpose; consequently, LORDEAR cannot be held responsible for any default, breakage or damages caused thereby or resulting thereof, either directly or indirectly.

LORDEAR is a leading luxury kitchen and bath products manufacturer. We firmly believe that only the best designs and highest quality materials can meet the way you live. So our team combine the needs of the times and the market to develop new styles of products. Using new technology and high quality materials to design the unique and practical faucet, Kitchen sink and other accessories. reduce installation time, save water, and add durability and dependability, LORDEAR products are your best choice to.