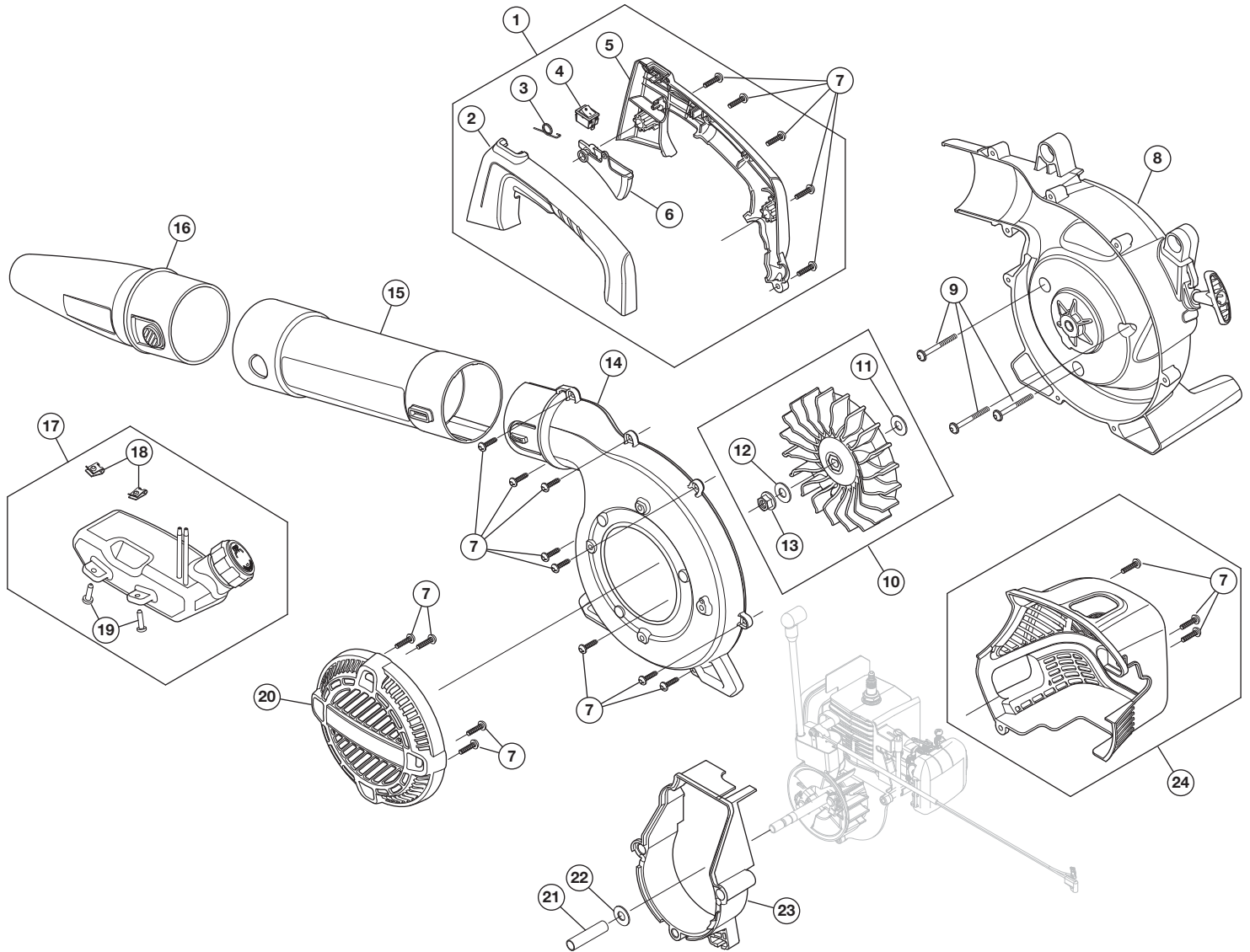


REPLACEMENT PARTS - MODEL RM125

2-CYCLE BLOWER

PPN 41AS79MY983

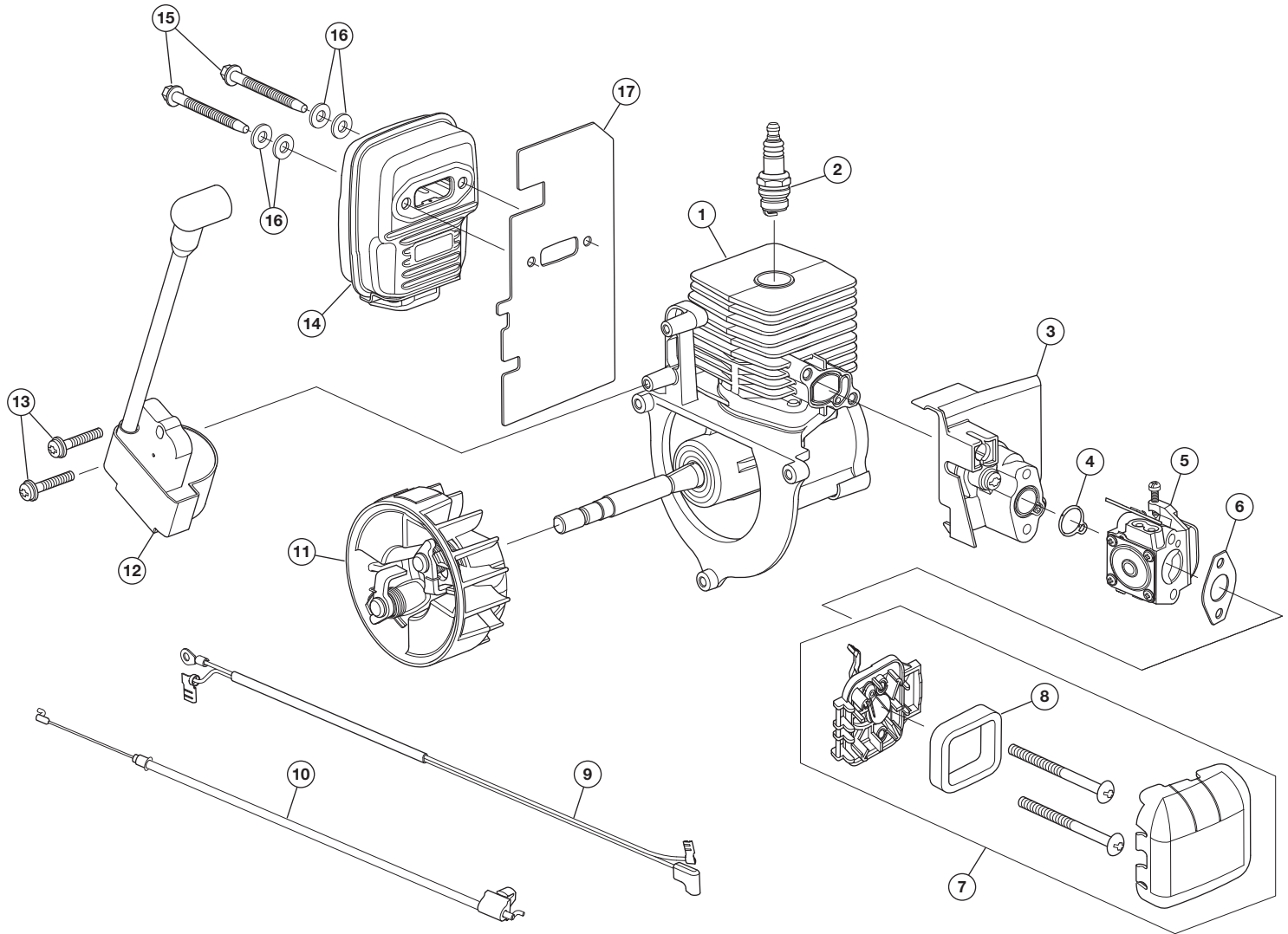


Item	Part No.	Description	Item	Part No.	Description
1	753-08523	Handle Assembly	13	712-04137	Nut
2	731-11027-1	Handle (LH)	14	753-08528	Impeller Housing Assembly (LH) (includes 7)
3	732-04270A	Trigger Spring	15	731-10598	Upper Blower Tube
4	725-05280	On/Off Switch	16	731-10604	Blower Nozzle
5	731-10776-1	Impeller Housing Handle (RH)	17	753-08500	Fuel Tank Assembly
6	731-09987-10	Throttle Trigger	18	712-04050	U-Shaped Nut
7	710-04194	Screw	19	9206A	Screw
8	753-08527	Impeller Housing Assembly (RH)	20	753-08494	Intake Cover (includes 7)
9	710-06341	Screw	21	750-06367	Shaft Spacer
10	753-08491	Impeller Assembly	22	736-05080	Washer
11	736-05080	Washer	23	753-08496	Engine Adapter (includes 9)
12	736-04110A	Lock Washer	24	753-08526	Engine Cover Housing (includes 7)

REPLACEMENT PARTS - MODEL RM125

2-CYCLE BLOWER

PPN 41AS79MY983



Item	Part No.	Description	Item	Part No.	Description
1	753-08499	Shortblock Assembly	10	746-05226	Throttle Cable
2	753-06847	Spark Plug	11	753-08490	Flywheel Assembly
3	753-06189	Insulator Assembly (includes 4)	12	753-08489	Module Assembly (includes 13)
4	753-06185	O-Ring	13	710-06301	Screw
5	753-08501	Carburetor	14	753-08488	Muffler Assembly (includes 15, 16 and 17)
6	721-04381	Carburetor Gasket	15	710-05077	Muffler Screws
7	753-08498	Air Cleaner Assembly (includes 8)	16	2592	Washers
8	791-181757	Air Cleaner Filter	17	721-04801	Muffler Gasket
9	725-06313	Lead Wire			