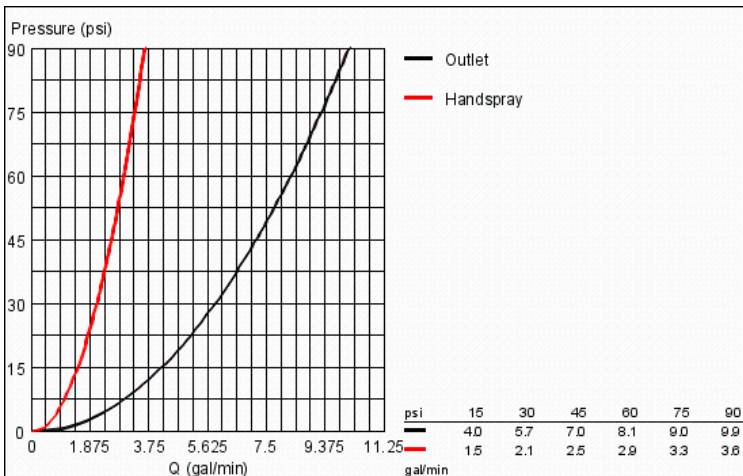
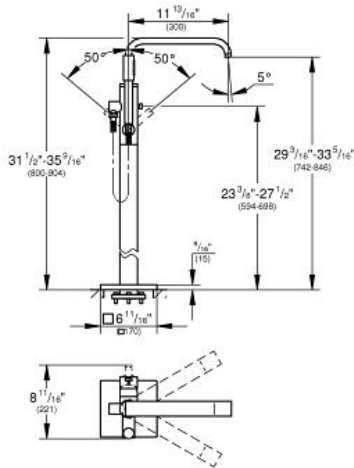
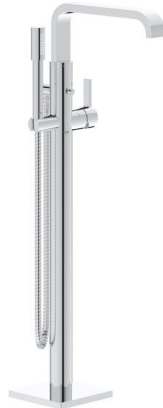


ALLURE
Single-lever Bath Mixer 1/2"
MODEL # 32754

Pure Freude an Wasser



GROHE America, Inc | 200 North Gary Avenue, Suite G, Roselle, IL 60172
Phone: +1 (800) 444-7643 | Fax: +1 (800) 225-2778 | us-customerservice@grohe.com



Product Description:
Single-lever Bath Mixer 1/2"

Standard Specification:

- Floor standing tub filler
- Requires Rough-In Set 29 038 001 (sold separately)
- **GROHE SilkMove®** ceramic cartridge
- **GROHE StarLight®** finish
- Automatic diverter: bath/shower
- Swivel tubular spout with flow control and stop limiter
- Projection 11 13/16"
- 1/2" Integrated non-return valve in the shower outlet
- With shower holder
- Sena handshower
- **Protected against backflow**
- Min. recommended pressure 15 psi
- Max Flow Rate 7 gpm at 45 psi (26.5 L/min), 2.5 gpm at 80 psi (9.5 L/min) for Hand Shower
- Shower hose 49"

Applicable Codes & Standards:

- Energy Policy Act of 1992
- ASME A112.18.1/CSA B125.1
- US Federal and State material regulations
- ICC/ANSI A117.1

Color:

- 32754 001 chrome