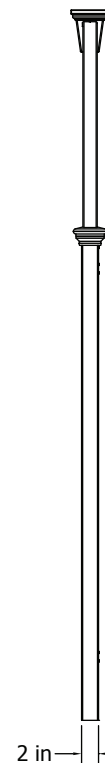
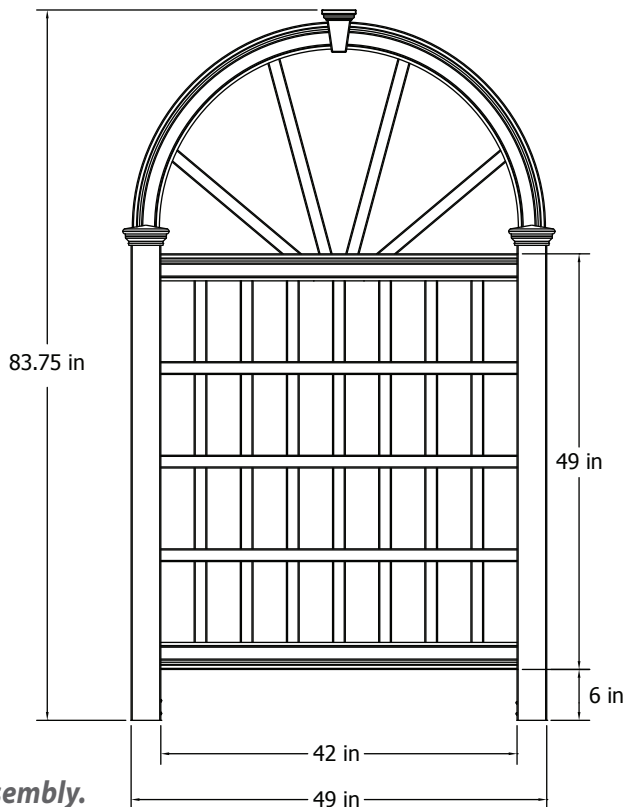
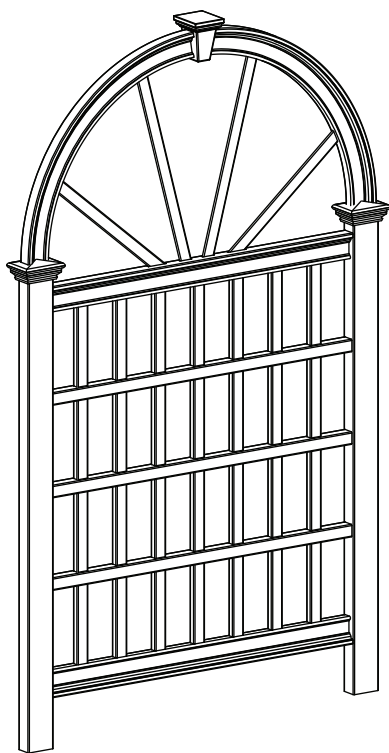


ASSEMBLY INSTRUCTIONS

Eden™

Enduring Garden Architecture
www.edenarbors.com

The Vienna Trellis



Please read through before starting assembly.

IMPORTANT: CHECK THE INSIDE OF YOUR POSTS FOR ALL MATERIALS.

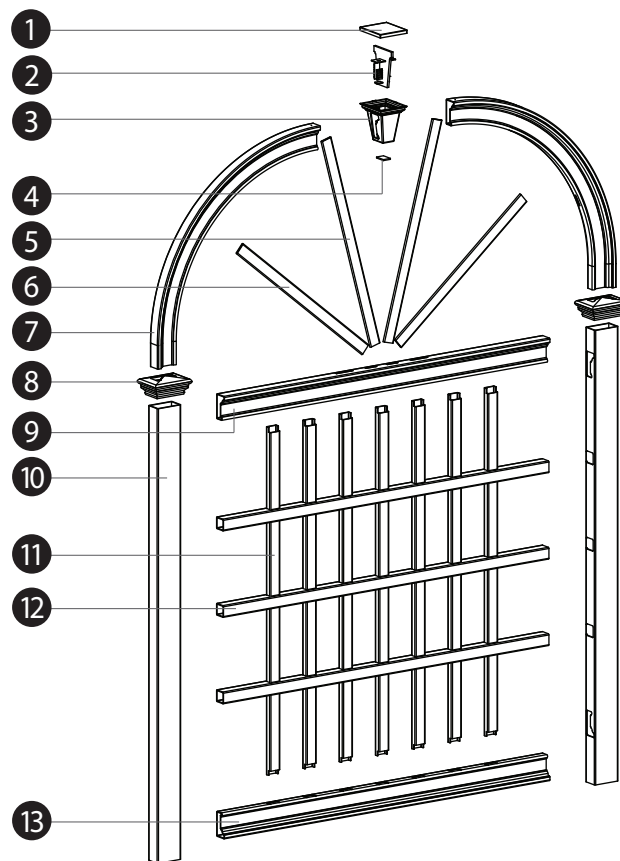
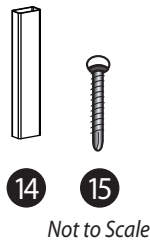
Check Box for These Contents

In the event of missing or defective parts please call our customer service dept. at **1 800 282 9346, ext #20** (Mon. to Fri. 8:00 AM to 4:00 PM EST).

1. Keystone Lid (1)
2. Keystone Insert (1)
3. Keystone Body (1)
4. Keystone Bottom Plate (1)
5. Arch Spindle - Long (2)
6. Arch Spindle - Short (2)
7. Arches (2)
8. Post Caps (2)
9. Top Rail (1)
10. Posts (2)
11. Vertical Spindles (7)
12. Horizontal Spindles (3)
13. Bottom Rail (1)
14. Ground Stakes (2)
15. 1 1/2" Self-Auguring Stainless Steel Screw (20)

Tools You Will Need

- Cordless Drill
- Hammer
- Tape Measure
- Level
- Shovel



General Information

- Read Instructions through carefully before beginning assembly.
- When assembling components, place on a non-abrasive surface (i.e. shipping box) to avoid scratching.
- We recommend an area approx 5'x 8' for unobstructed assembling.
- You should not need to use excessive force when assembling component.

STEP ONE

NOTE: Assembly will be easier if performed by two people

1

Lay out the top rail, bottom rail, horizontal spindles, and vertical spindles as shown. Start by inserting the 7 vertical spindles into the 3 horizontal rails.

Note that the routed holes on the horizontal rails are slightly offset from the centre. Ensure that the holes are aligned as per the inset image.

2

Continue to insert the assembly into the top and bottom rails.

Note the difference between the two rails. The bottom rail only has one routed side whereas the top rail has additional holes for the arch spindles.

3

Align and insert the rails into one of the post.

Note that the pre-drilled holes are located on the back side of the trellis.

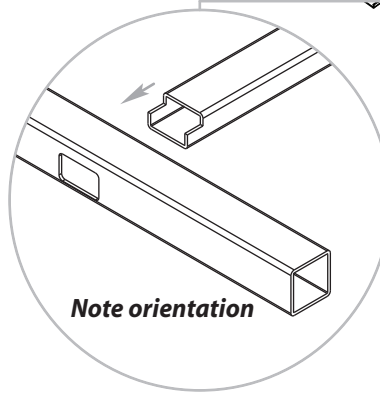
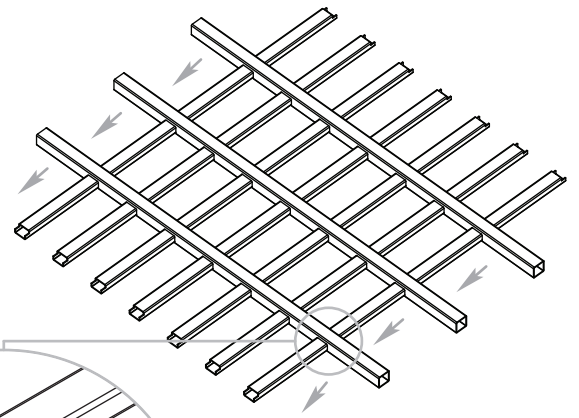
4

Proceed with the other post.

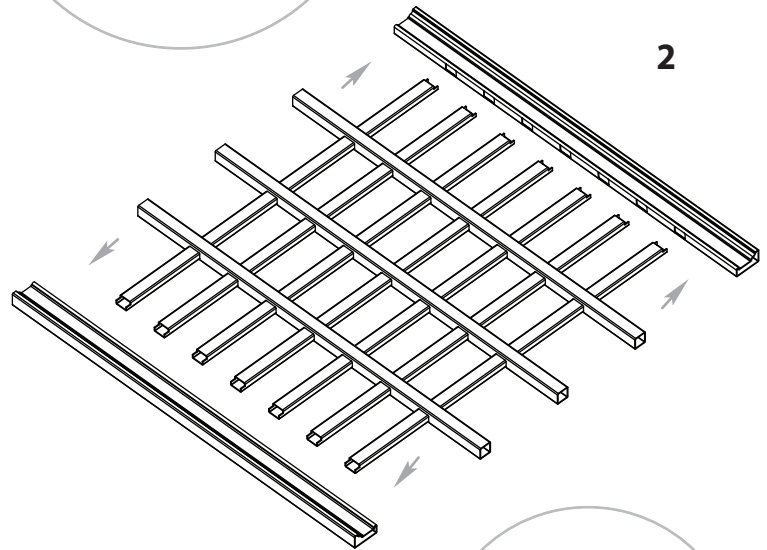
5

Flip the trellis over and using the provided screws, fasten the posts to the top and bottom rails in place as shown.

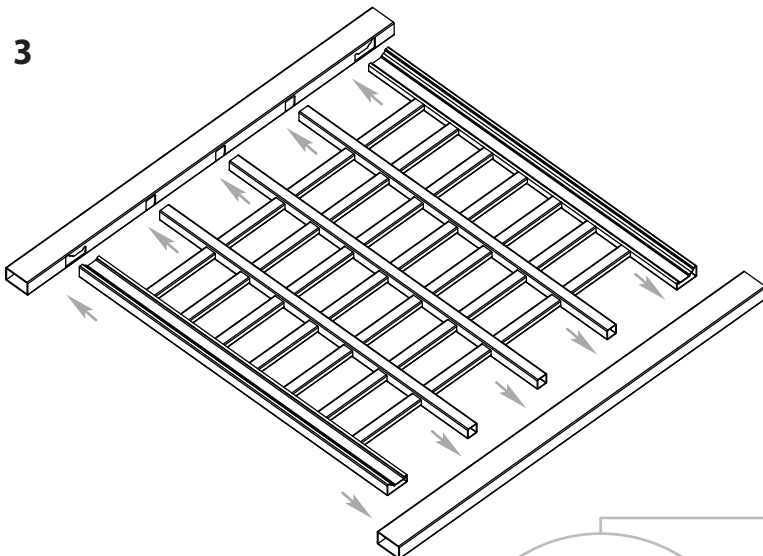
1



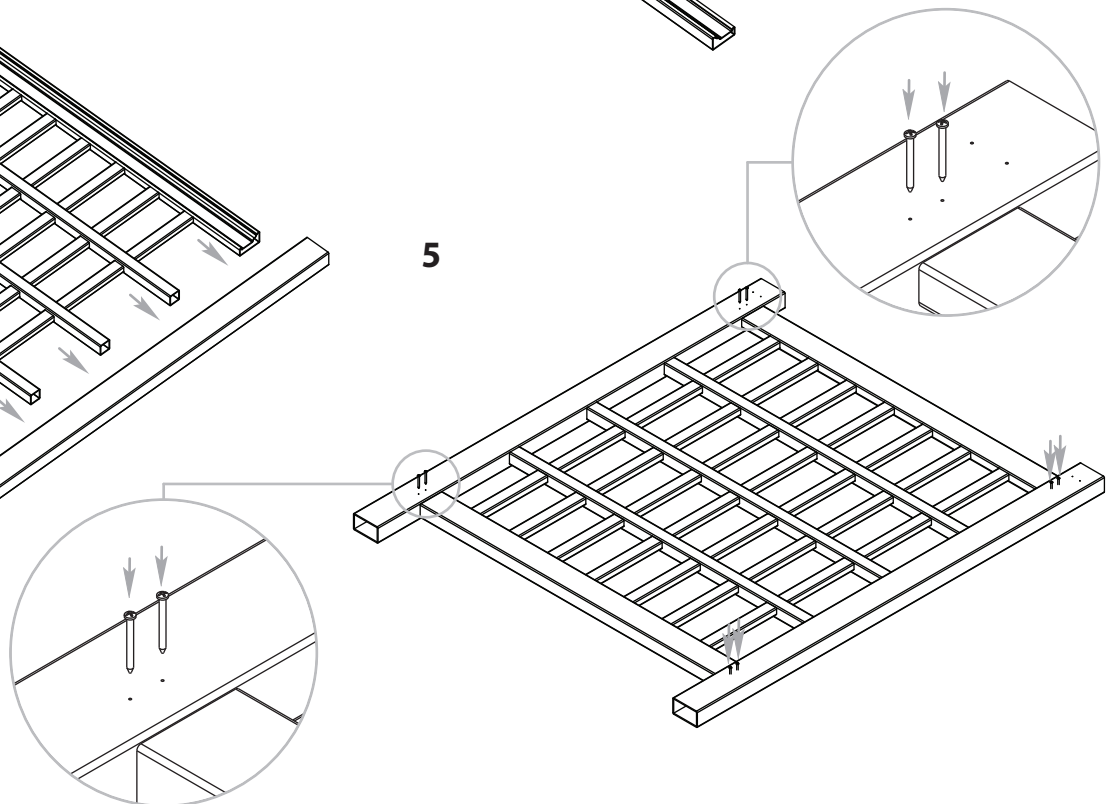
2



3



5



STEP TWO

Arch Assembly

1

Assemble the keystone by inserting the keystone insert into the keystone body as shown below, followed by the two arches.

Note that the arches will be marked with a sticker where they meet the keystone.

2

Using two of the provided screws, fasten the arches into the keystone insert as shown.

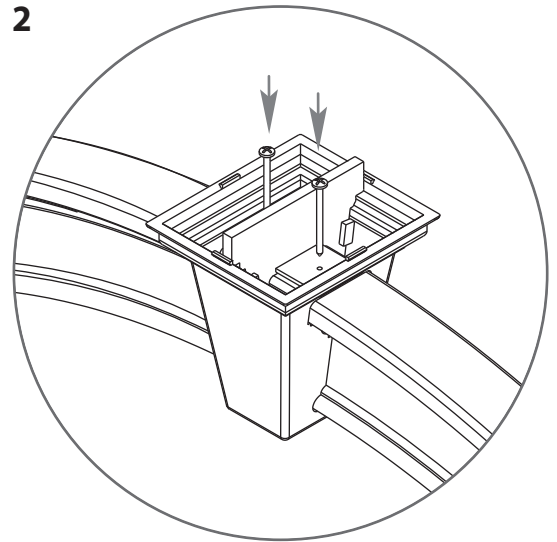
3

Drive two more screws to the underside of the keystone.

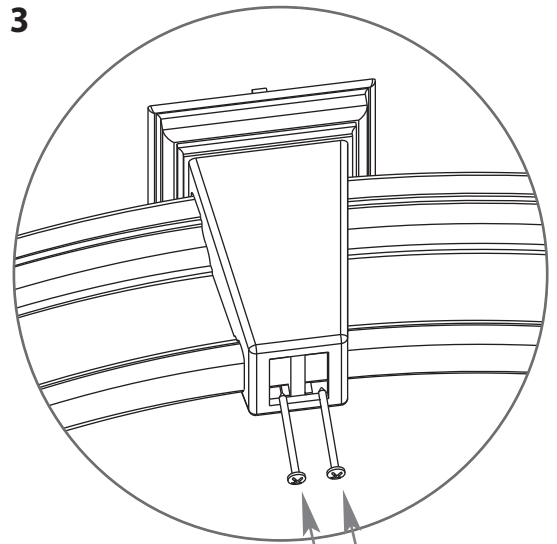
4

Snap the top and bottom lid to complete the arch assembly.

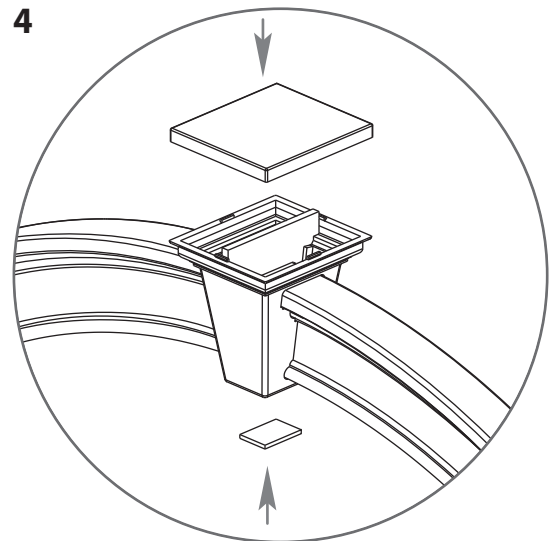
2



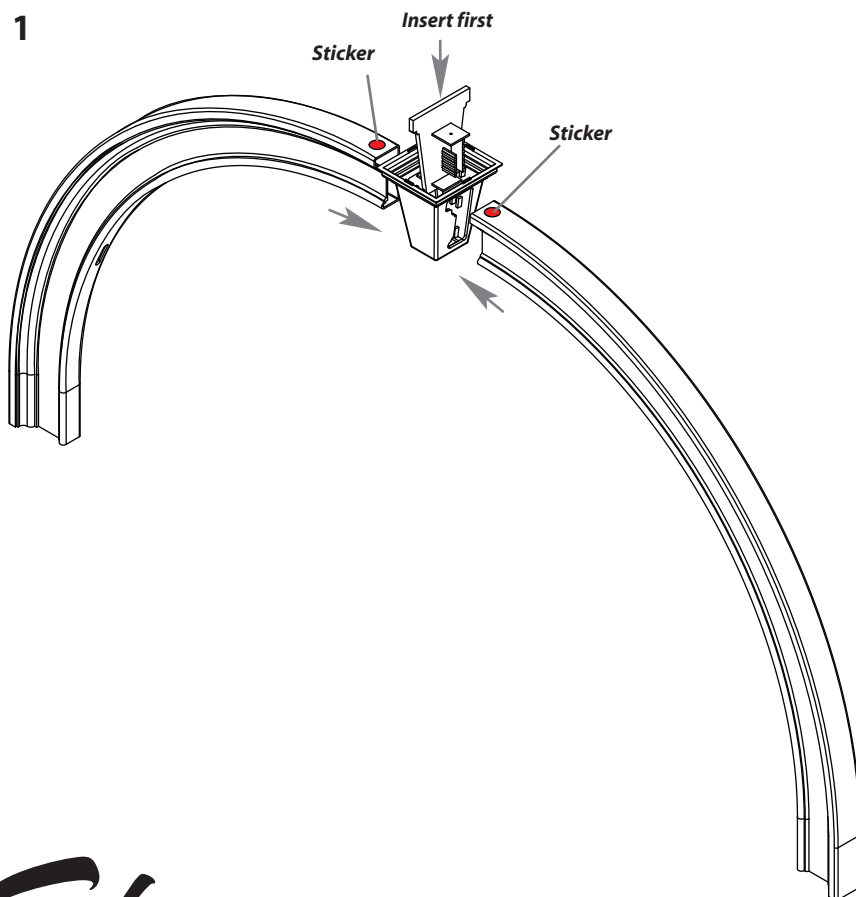
3



4



1



EdenTM

Enduring Garden Architecture

STEP THREE

Arch Assembly

1

Place the post cap onto each of the post. Note that there are left and right post caps. Please see image aside for orientation.

2

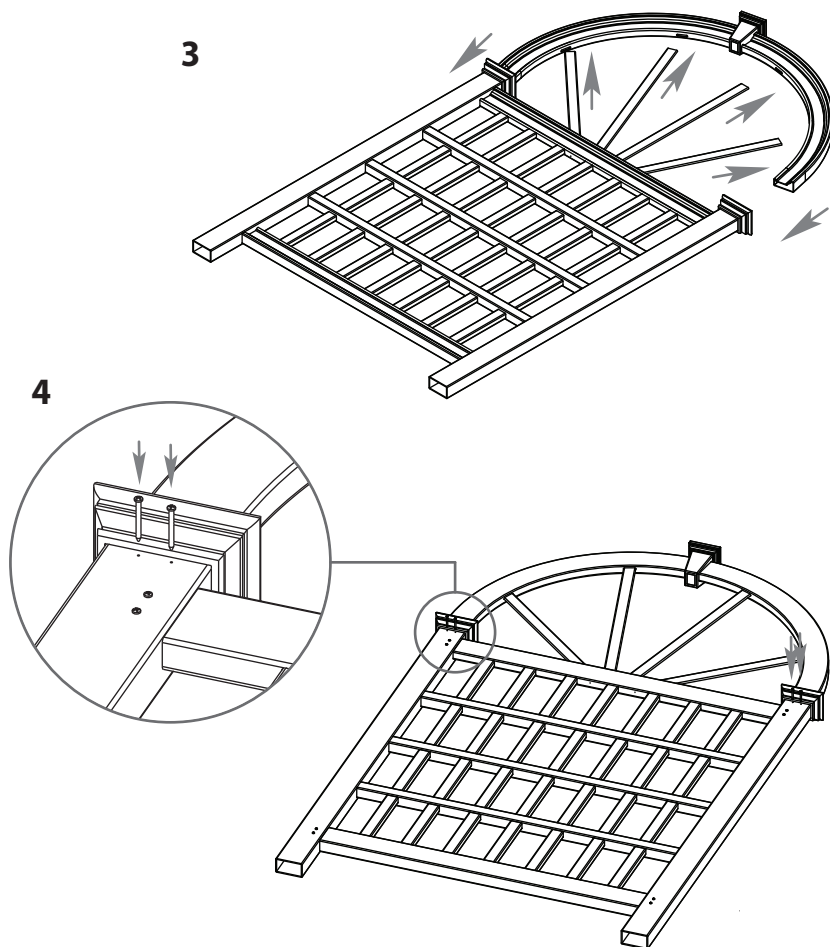
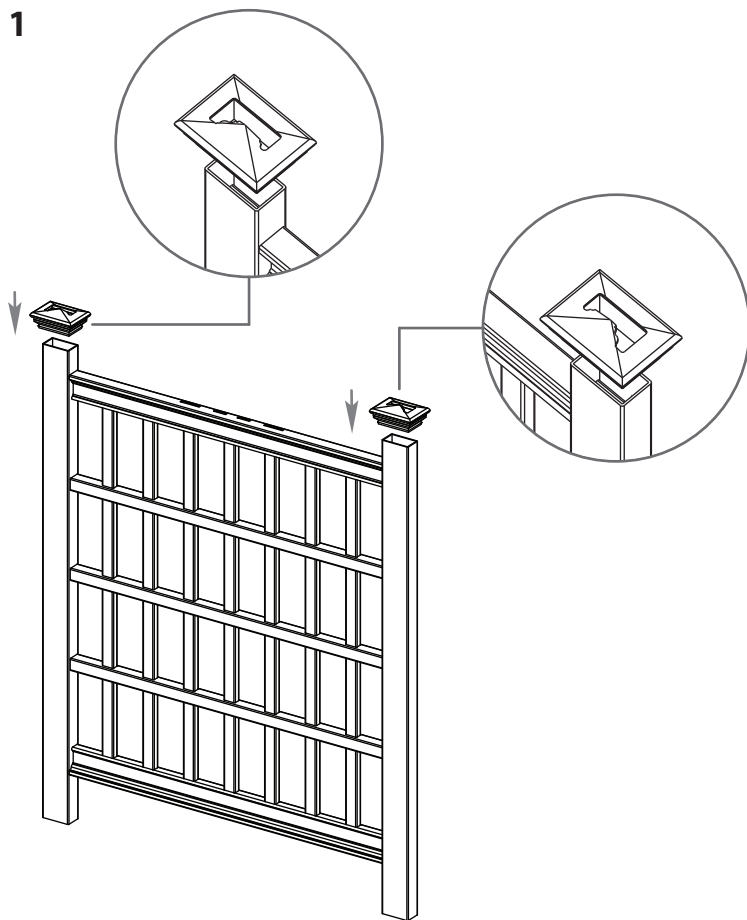
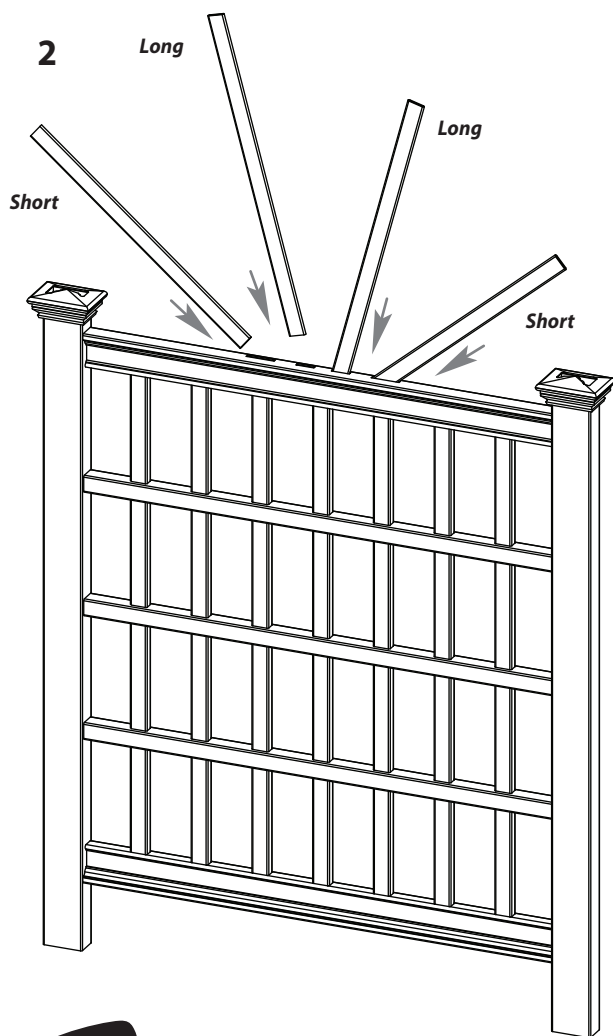
Insert the arch spindles into the top rail as shown. The short spindles would be on the outer side of the rail, and the long spindles would be on the inner side of the rail.

3

Starting on one end, guide the arch assembly and arch spindles into the pre-routed holes as shown.

4

Fasten the arch assembly to the posts using four screws (2 per post) provided.



EdenTM

Enduring Garden Architecture

Mounting Into the Ground

Trellises must be well secured in the event of high winds, etc. We have provided two ground anchoring stakes for securing the trellis either into the ground or into a concrete footing. If you are installing your trellis directly to the wall of your home, or on a wood deck or concrete surface, please see your hardware store for the appropriate galvanized bracket hardware.

STEP FOUR

Install the Ground Anchor Stakes

Insert the ground anchoring stakes into the bottom of the trellis posts. Secure with screws as shown aside.

STEP FIVE

Install Trellis into Ground

A

Move the trellis to its final location. When you are satisfied with the location, mark the positions of the posts, then move the trellis aside and lay it carefully on its side. Excavate the 2 post holes approximately 12" deep x 6" diameter. Carefully move the trellis back into position.

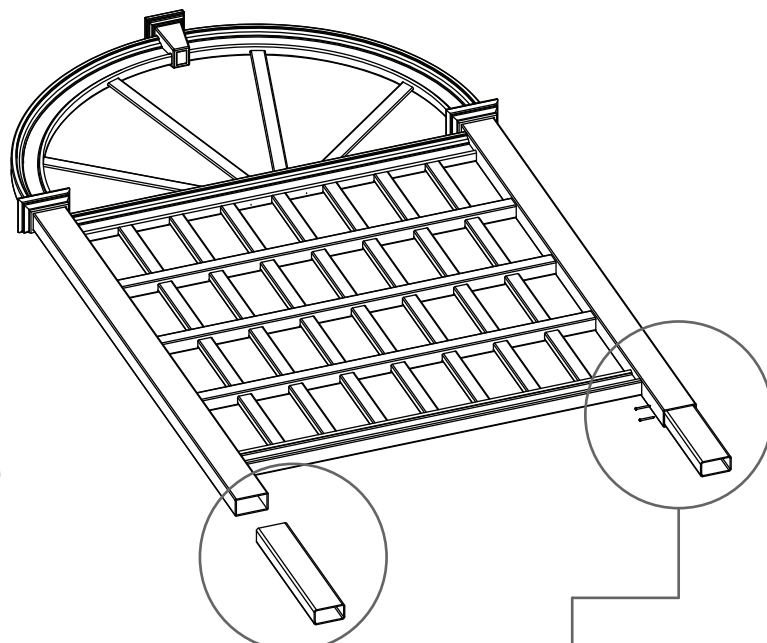
B

Level it both vertically and horizontally into the excavated holes.

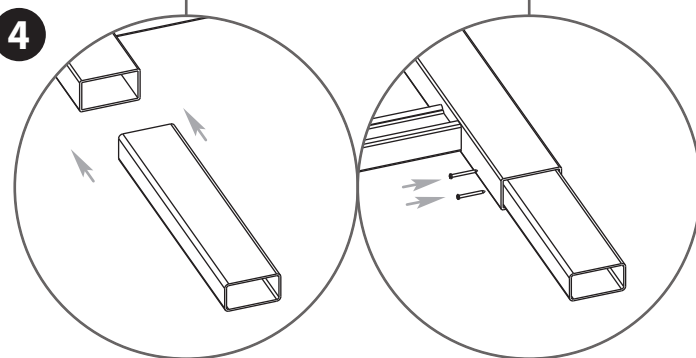
C

Backfill the holes with the excavated soil.

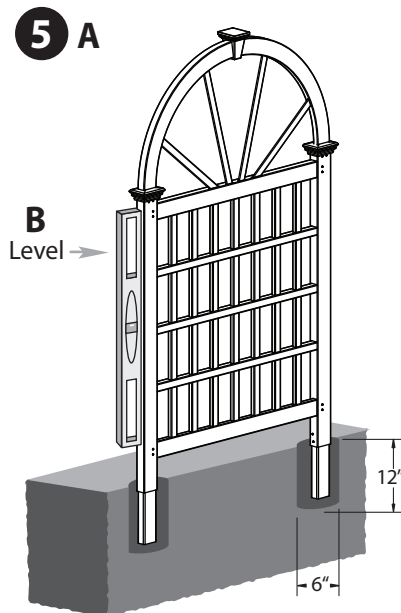
Note: For a stronger installation, purchase two 2x4 pressure treated lumbers and sleeve them into the posts. Wood posts should be inserted 4" into the trellis posts and $\pm 24"$ into the ground.



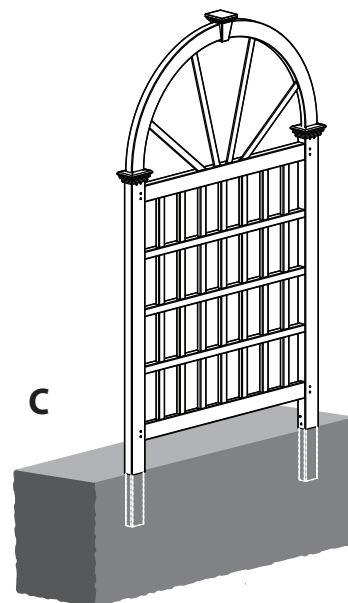
4



5 A



C



*Eden*TM

Enduring Garden Architecture