

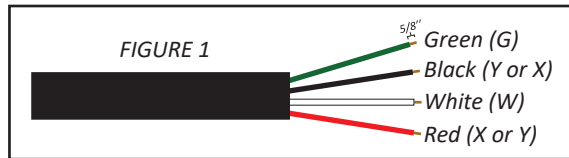


## 20 or 30 AMPERE LOCKING PLUGS AND CONNECTORS

**1. CABLE:** Provide a cable of applicable ampacity, service and temperature rating suitable for the conditions of use and location. The plugs and connectors are designed for use with 3, 4 or 5 conductor cables with a diameter from .375" to 1.156" (12/3 SJ through 8/5 S).

**2. CORD CLAMP PREP:** Gray colored cord clamp inserts preinstalled for use with .550" to .875" cable diameter. If you need other sizes, please contact us.

**3. CABLE PREP:** Remove out jacket 2" and strip each individual conductor 5/8" as shown in Figure 1 Below. Make sure the wire is clean and a bright copper color. Do not solder the ends of the wire. Feed the cable end through the housing.



**4. ASSEMBLY:** Select the proper plug or connector for your application. Loosen the screws from the face and remove the assembly from the outer body.

### FOR DEVICES WITH A W TERMINAL:

Insert the green wire into the terminal with the green colored screw. (G)

Insert the white wire into the terminal with the silver colored screw. (W)

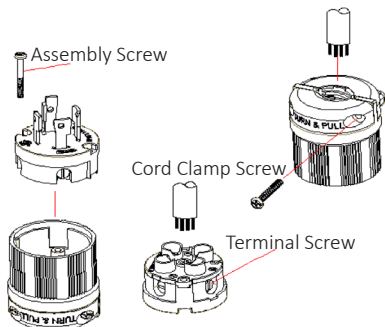
Insert the remaining wires (white, red, black, etc.) into the terminals marked X, Y or Z.

### FOR DEVICES WITHOUT A W TERMINAL:

Insert the green wire into the terminal with the green colored screw. (G)

Insert the remaining wires (white, red, black etc.) into the terminals marked X, Y or Z.

When making connections, make certain they are secure, properly insulated and there are no stray wire strands outside the terminals. Tighten the terminal screws to 12-16 in-lbs torque. Assemble the housing over the device body; the keyway in the housing and the body properly aligns the two parts. Tighten the cord clamp assembly screws to a maximum 10-12 in-lbs torque. Lastly tighten the assembly screws.



## QUESTIONS?

Email , call or text our Customer Service Dept.

**Direct:** (414) 434-2220

**Text:** (414) 323-3240

info@acconnectors.com

[www.ACWORKS.com](http://www.ACWORKS.com)

20 AMPERE LOCKING RECEPTACLE		
<b>L5-20</b>	<b>L6-20</b>	<b>L14-20</b>
		NOT AN AVAILABLE AC WORKS™ PRODUCT
<b>L15-20</b>	<b>L16-20</b>	
30 AMPERE LOCKING RECEPTACLE		
<b>L5-30</b>	<b>L6-30</b>	<b>L14-30</b>
		NOT AN AVAILABLE AC WORKS™ PRODUCT
<b>L15-30</b>	<b>L16-30</b>	
<b>L21-30</b>		