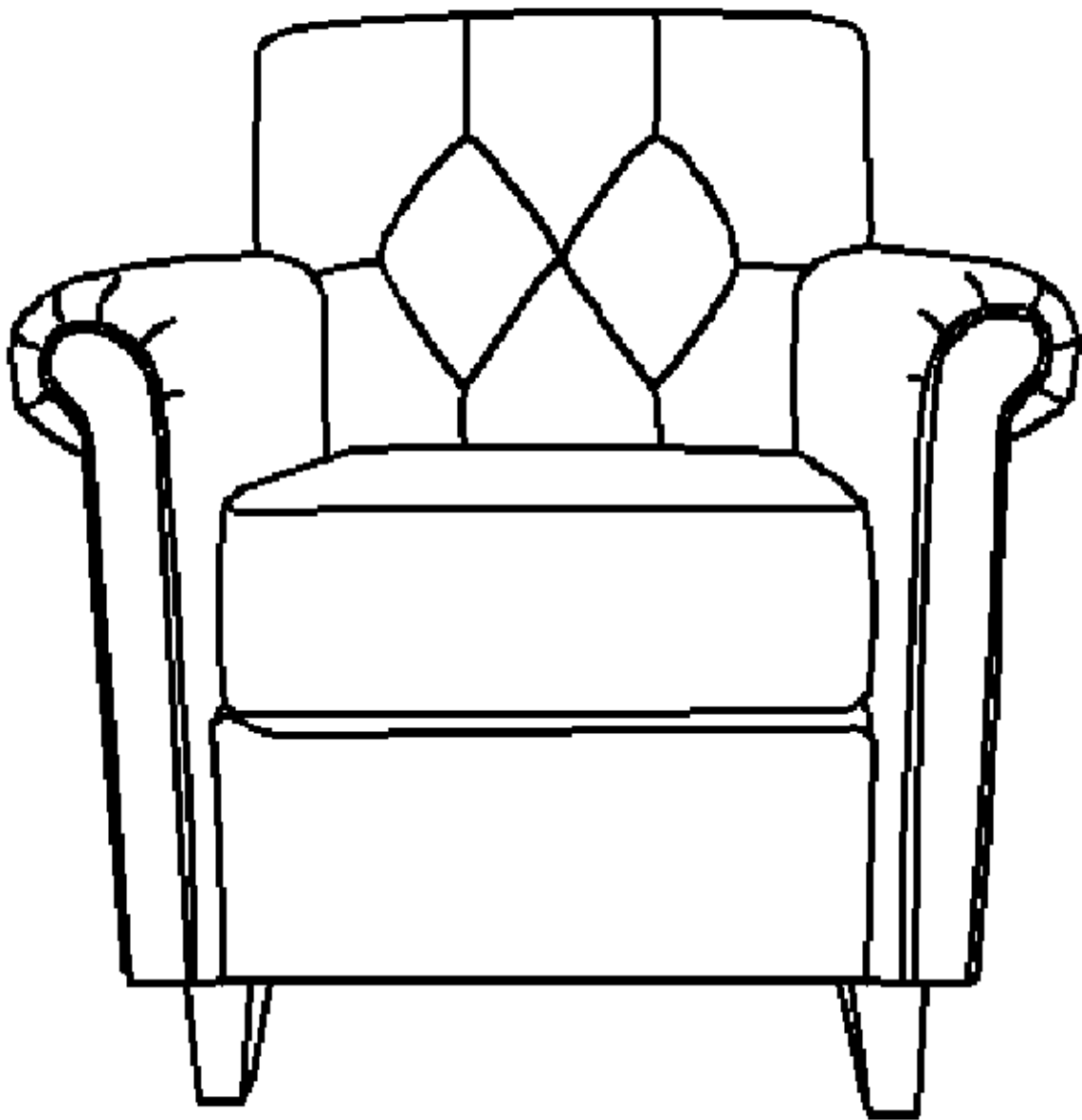




# Assembly Instructions

Caution :You must read this before you proceed


## Club Chair



## Parts List

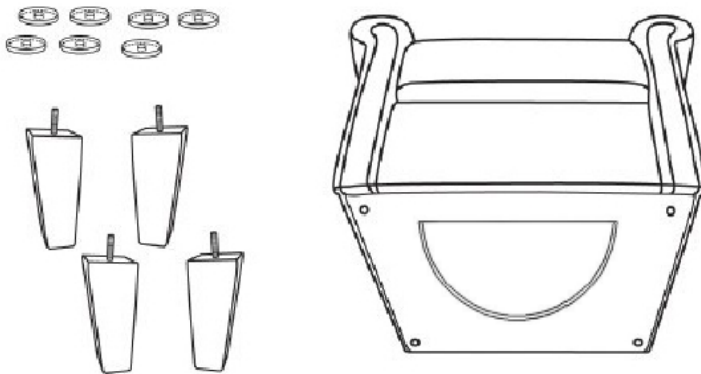
Label	Picture	Description	QTY
A		Chair	1
B		Wooden Leg	4

## Hardware

Label	Picture	Description	QTY
C		Washer Rings	7 pcs

## Assembly Preparation

Before Beginning Assembly:



- Read instructions, cover to cover-



- Have 2 adults on hand for assembly-



- Do not assemble on flooring or carpet-



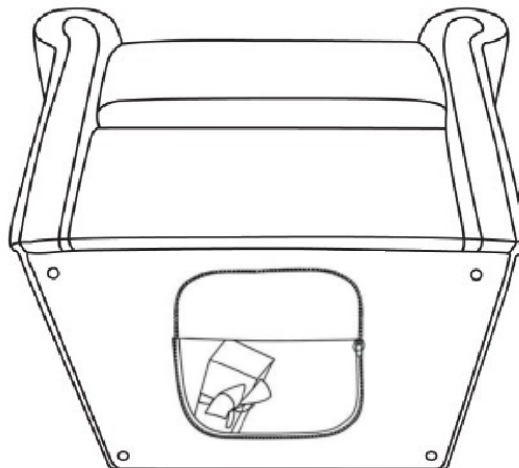
- Assemble on a clean non-marring surface (packing foam)-



- Save all packaging until finished-

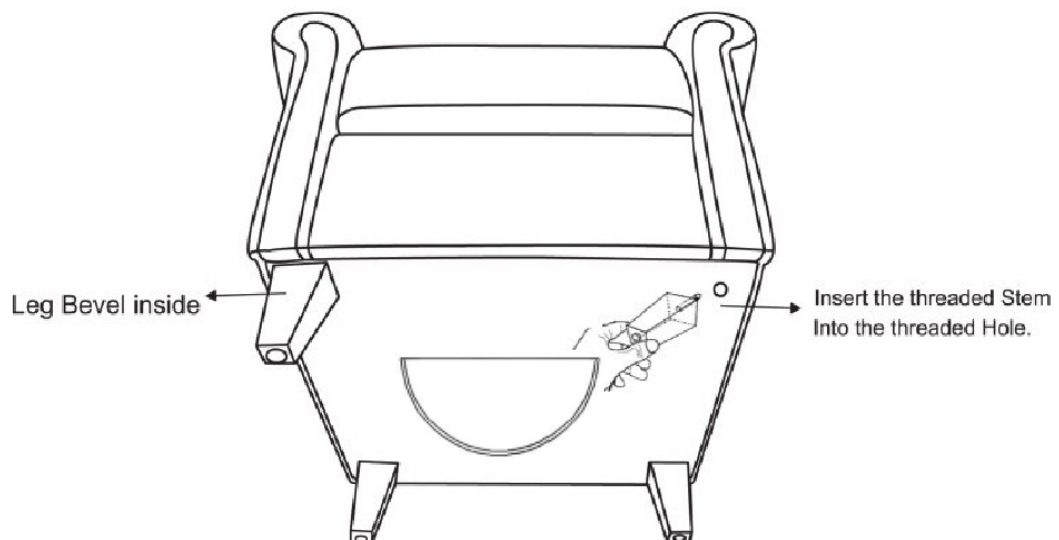
## Assembly Steps

### Step 1



Position the chair on its back, as shown.  
Unzip to open pouch and remove the 4 wooden legs, close the pouch.

### Step 2



Install leg into the chair by putting a Washer Ring (optional) on the threaded stem and then insert the threaded stem into the threaded hole at each corner of the bottom of the chair.

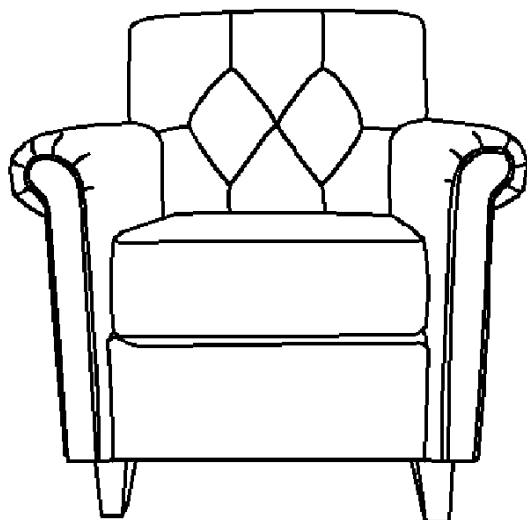
Tighten by turning leg clockwise.

Repeat the same Step to install the other three legs.

When assembling the Legs, the two BEVELLED Slant-Angled face of wooden leg must be affixed to be inwards facing.









This is the same Position for both the FRONT and BACK pair for both LEFT and RIGHT Legs - BEVELLED Slant Angled face of the wooden legs are inward facing.

Step 3



Make sure all parts are connected and locked into position.  
Your chair is ready for use.

## Care & Maintenance

-  Do not put hot items directly on furniture surface.
-  Do not clean furniture with harsh cleansers or polish.
-  Do not place furniture under direct sunlight.
-  Do not place furniture near heating or cooling vents.
-  Do not write on furniture without a padded barrier to protect the surface.
-  Do not place furniture outside. For indoor use only.
-  Not for commercial use. For residential use only.
-  Stains may be removed with mild soap solution and damp cloth.

- 
-  Dust and pick-up spills using a clean, non-colored, lint-free cloth.