



Item # 1002 664 529

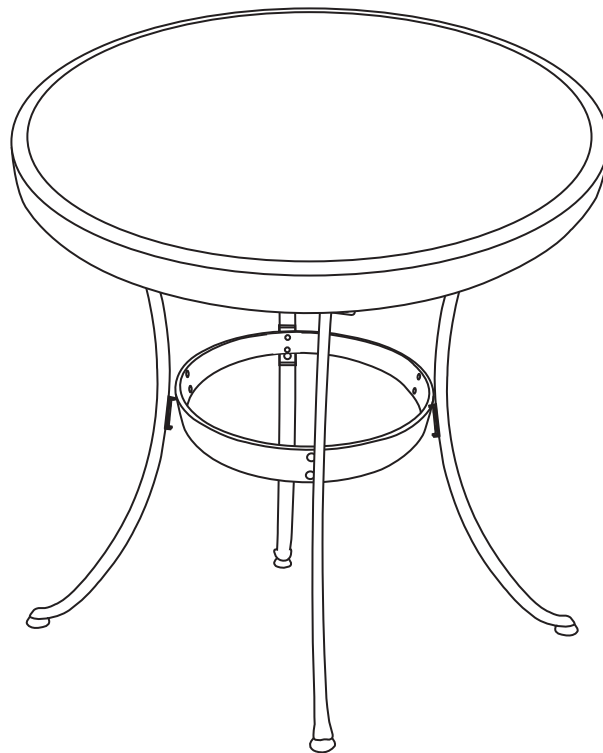
Item # 1002 554 464

Model # HD17121E

# USE AND CARE GUIDE

---

## Glass Mosaic Table



Questions, problems, missing parts? Before returning to the store,  
call Hampton Bay Customer Service  
8 a.m. - 7 p.m., EST, Monday - Friday, 9 a.m. - 6 p.m., EST, Saturday

**1-855-HD-HAMPTON**

**HAMPTONBAY.COM**

---

*THANK YOU*

We appreciate the trust and confidence you have placed in Hampton Bay through the purchase of this table. We strive to continually create quality products designed to enhance your home. Visit us online to see our full line of products available for your home improvement needs. Thank you for choosing Hampton Bay!

# Table of Contents

Table of Contents.....	2	Assembly .....	5
Safety Information.....	2	Care and Cleaning .....	6
Precautions .....	2		
Warranty.....	3		
Pre-Assembly .....	3		
Planning Assembly.....	3		
Hardware Included.....	3		
Package Contents .....	4		

# Safety Information

## PRECAUTIONS

Use caution and common sense when using this table. Failure to adhere to the safety warnings and guidelines in this manual could result in bodily injury or property damage. Save this manual for future reference.



**WARNING:** Do not tighten all parts before assembly is complete.



**WARNING:** Do not sit or stand on the table.



**WARNING:** Do not use sharp objects to knock or scratch the top.



**WARNING:** Do not use power tools to assemble this product.



**WARNING:** Small parts like washers may pose a choking hazard to young children. Handle with care.



**WARNING:** To maintain the finish, clean the surface by using a soft cloth. Do not use a metal brush.



**WARNING:** Do not wipe the top with acidic material.

# Warranty

## 1 YEAR LIMITED WARRANTY

### WHAT IS COVERED

We warrant the metal frame to be free of manufacturing defects to the original purchaser for one year.

### WHAT IS NOT COVERED

It remains the customer's responsibility for freight and packaging charges to and from our service center. This warranty does not cover commercial use, hardware, acts of nature, fire, freezing and abusive use. In addition, purchased parts are not covered under this warranty. We reserve the right to make substitutions with similar merchandise, if the model in question is no longer in production.

Contact the Customer Service Team at 1-855-HD-HAMPTON or visit [www.hamptonbay.com](http://www.hamptonbay.com).

# Pre-Assembly

## PLANNING ASSEMBLY

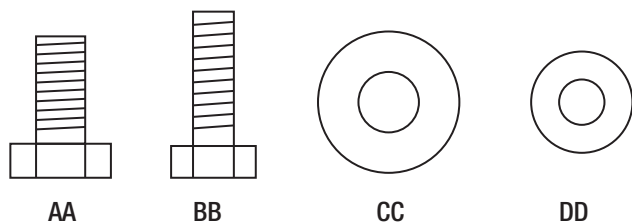
Read all safety warnings and instructions carefully and thoroughly before assembling and operating your table. Familiarize yourself with the inventory of parts and the accompanying illustrations to ensure safe and proper assembly. The manufacturer is not responsible for any injury that may occur during the assembly of this product. Place the parts on a soft surface to assemble and prevent scratching the finish.

## TOOLS NOT REQUIRED

## HARDWARE INCLUDED



NOTE: Hardware shown to actual size



AA

BB

CC

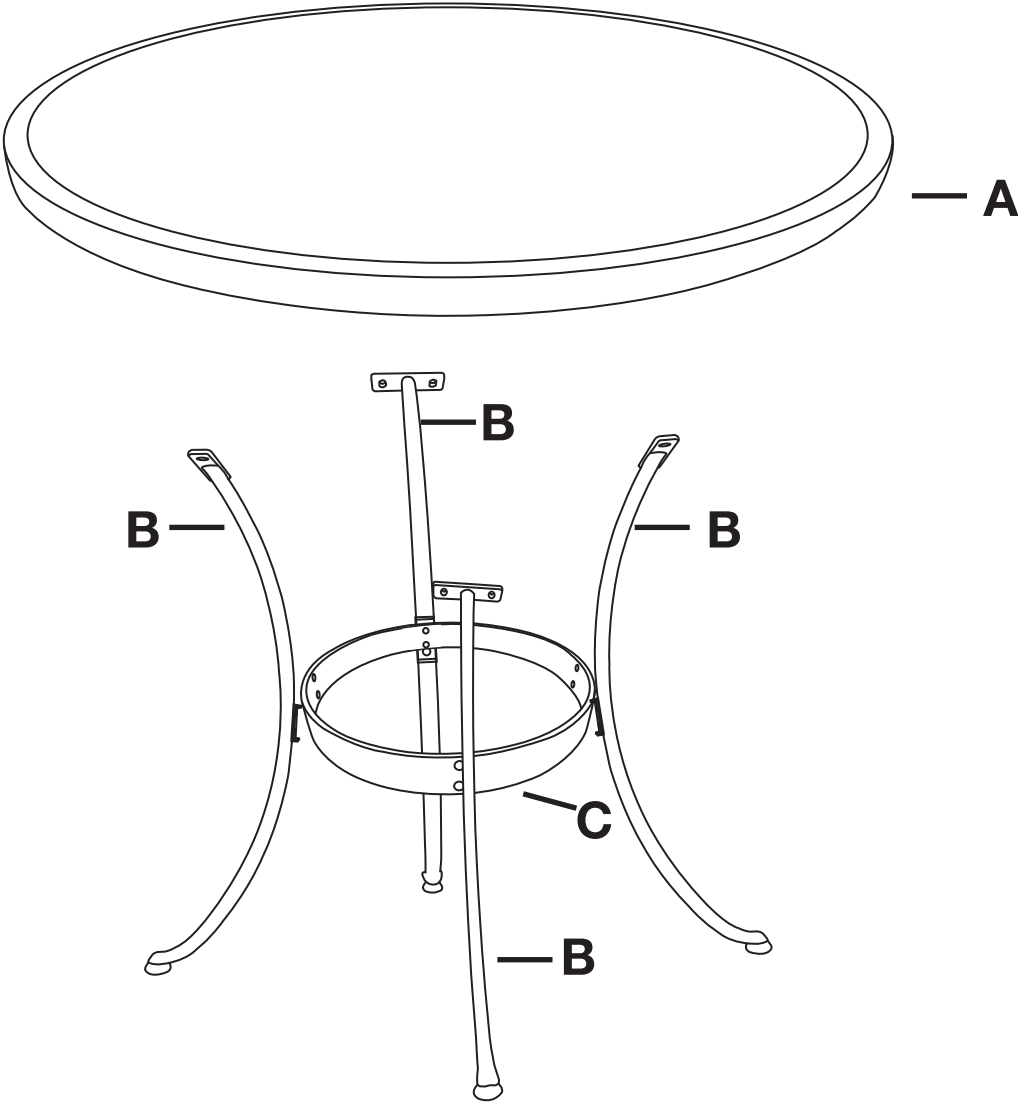
DD

Part	Description	Quantity
AA	M8*16 Hex Bolt	8
BB	M6*25 Hex Bolt	8
CC	M8 Washer	8
DD	M6 Washer	8
EE	Stamped Wrench	1

EE

# Pre-Assembly (continued)

## PACKAGE CONTENTS



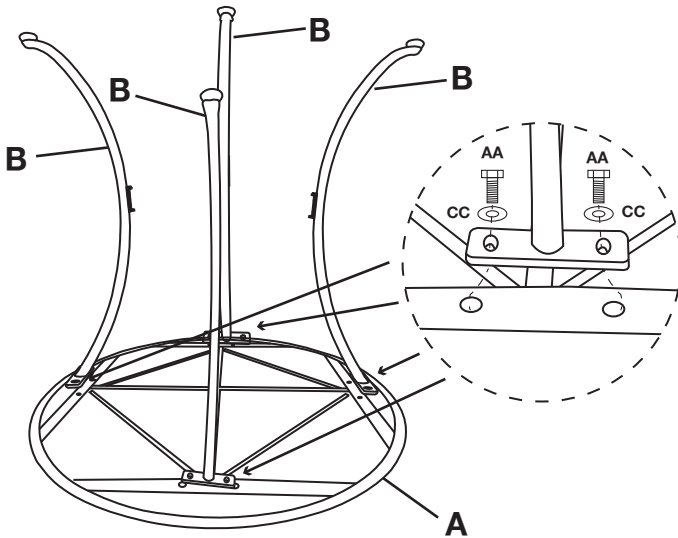
Part	Description	Quantity
A	Table Top	1
B	Leg	4
C	Metal Loop	1

# Assembly

## 1 Install the legs

Attach the legs (B) to the table top (A) using bolts (AA) and washers (CC). Tighten using the wrench (EE).

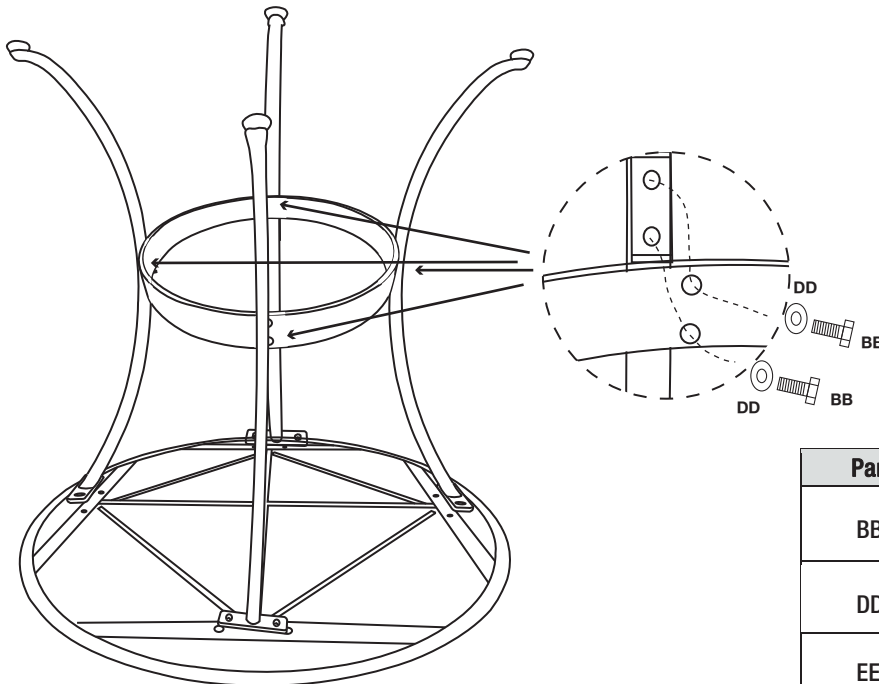
(Do not completely tighten hardware until assembly is complete.)



Part	Description	Quantity
AA	M8*16 Hex Bolt	8
CC	M8 Washer	8
EE	Stamped Wrench	1

## 2 Install the metal loop

Attach the metal loop (C) to the table legs using bolts (BB) and washers (DD). Securely tighten all bolts (AA and CC) using the wrench (EE) when the table is fully assembled.



Part	Description	Quantity
BB	M6*25 Hex Bolt	8
DD	M6 Washer	8
EE	Stamped Wrench	1

## Care and Cleaning

---

- To maintain the finish, clean the surface by using a soft cloth. Do not use a metal brush.
- Do not wipe the top with acidic material.
- Do not use sharp object to knock or scratch the top.



Questions, problems, missing parts? Before returning to the store,  
call Hampton Bay Customer Service  
8 a.m.-7 p.m., EST, Monday-Friday, 9 a.m. - 6 p.m., EST, Saturday

**1-855-HD-HAMPTON**

**HAMPTONBAY.COM**

Retain this manual for future use.