

PLEASE READ AND SAVE THIS INSTRUCTION MANUAL
ENGLISH • FRANÇAIS • ESPAÑOL



FINISH MAX® FINE FINISH SPRAYER

⚠ WARNING TO REDUCE THE RISK OF INJURY,
USER MUST READ AND UNDERSTAND INSTRUCTION
MANUAL.

FOR HOUSEHOLD USE ONLY.

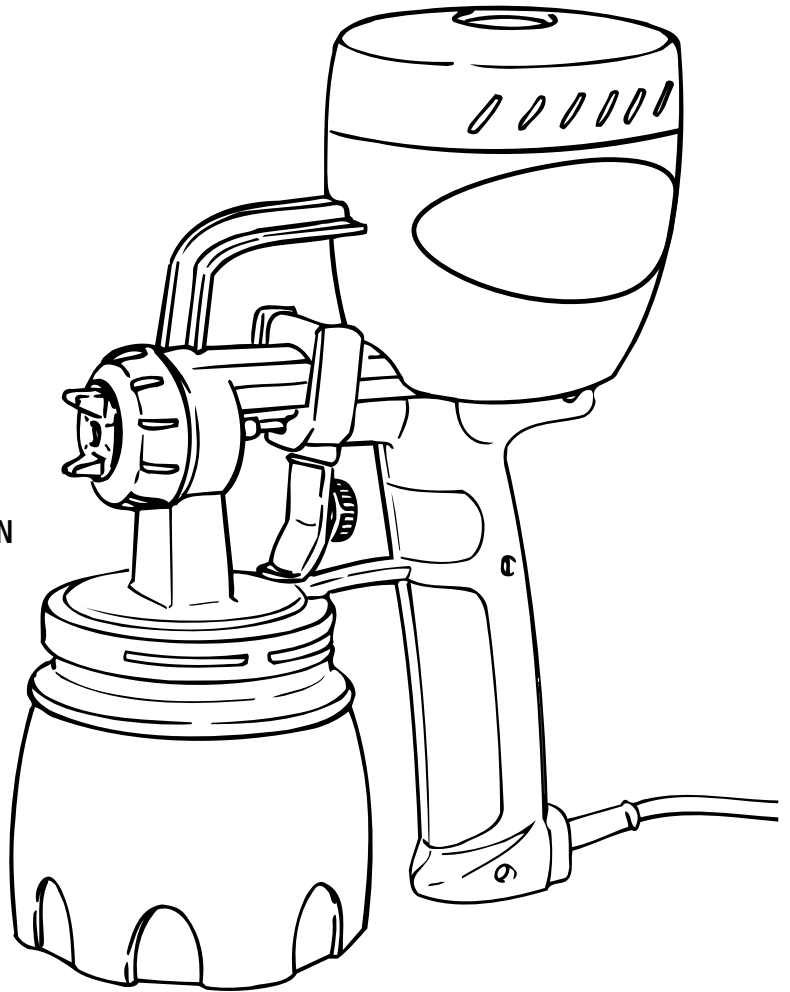
KEEP CHILDREN AWAY FROM WORKING AREA.

For Customer Service Call:

1-800-264-5442 or 763-780-5115,

8 a.m. to 5 p.m. CST.

Made in Taiwan



FINITION FINE PULVÉRISATEUR FINISH MAX®

⚠ AVERTISSEMENT POUR RÉDUIRE LES RISQUES DE BLESSURE,
L'UTILISATEUR DOIT LIRE ET COMPRENDRE LE MANUEL
D'INSTRUCTION.

DESTINÉ À UN USAGE DOMESTIQUE SEULEMENT.

TENEZ LES ENFANTS ÉLOIGNÉS DE L'AIRE DE TRAVAIL.

Pour le service à la clientèle, appelez au : 1-800-264-5442 ou
(763) 780-5115, de 8h00 à 17h00, heure normale du Centre.

Fabriqué en Taïwan

ACABADO FINO PULVERIZADOR FINISH MAX®

⚠ ADVERTENCIA PARA DISMINUIR LOS RIESGOS DE LESIONES,
EL USUARIO DEBE LEER Y ENTENDER EL MANUAL DE INSTRUCCIONES.
SÓLO PARA USO DOMÉSTICO.

MANTENGA A LOS NIÑOS LEJOS DEL ÁREA DE TRABAJO.

Para comunicarse con el departamento de servicio al cliente,
llame al: 1-800-264-5442 ó 763-780-5115, de 8:00 a. m. a 5:00 p. m.
(hora del Centro de EE.UU.).

Hecho en Taiwán



**Register Online Today
To Activate Your Two-Year Warranty**

Go online at www.homeright.com or scan the QR Code to the left. See back page for warranty details.

TABLE OF CONTENTS

IMPORTANT SAFEGUARDS	2
△ Warnings	3
PROP 65 Warning	3
Hazard: Explosion or Fire	3
Hazard: Hazardous Vapors	3
Extension Cords.....	3
Storage	3
FAST START QUICK REFERENCE GUIDE	4
HOW TO USE	5
Practice First	5
Surface Prep.....	5
Thinning Materials.....	6
Adjusting the Spray Pattern	7
Spraying Instructions.....	7
Air Blowing Nozzle.....	7
CLEAN UP & MAINTENANCE	8
Step One: Clean Up Instructions.....	8
Step Two: Clean Up Instructions for the Spray Tip	8
Maintenance.....	8
TROUBLESHOOTING	9
PARTS LIST	30-31
TWO-YEAR LIMITED WARRANTY	32

IMPORTANT SAFEGUARDS

HomeRight will not be responsible for losses or damage resulting from use of this product in any manner not specifically stated in this manual. User assumes all risks associated with such non-specific use.

Before using this product, user must evaluate it and determine if it is suitable for intended application. User assumes all risks and liability associated with such use.

READ AND FOLLOW ALL SAFEGUARDS.

Like other power tools, the Finish Max Sprayer is safe when properly used but can be dangerous if misused. It is the responsibility of the user to read and understand all instructions, IMPORTANT SAFEGUARDS, and safety precautions before operating the unit and also to use the unit properly. Failure to do so may result in personal injury or loss of life and product damage.

Do not try to repair (or disassemble) the unit yourself. Repairs should be performed by a qualified shop familiar with this unit or returned to HomeRight®. See warranty. This unit is to be used with authorized parts only. When using parts that do not comply with the specifications and safety devices of the manufacturer, the user assumes all risks and liabilities.

IMPORTANT SAFEGUARDS

WARNINGS

- DO NOT aim sprayer at yourself or anyone else; in the event of injury, seek expert medical advice immediately.
- DO NOT cover the nozzle with any part of your body. High velocity jet can cause accidental injuries.
- DO NOT leave your sprayer uncleaned or allow paint to dry in the sprayer. An uncleaned sprayer will not work the next time it's used and you could void the warranty.
- DO NOT spray textured materials containing asbestos fibers.
- DO NOT spray any textured materials containing particles or fibers such as metallic paints or fire retardant paints.
- DO NOT spray flammable liquid.
- DO NOT use the sprayer outside when it's raining.
- DO NOT use sprayer below garage floor or grade level.
- DO NOT disassemble the sprayer without reading directions.
- DO NOT allow any part of the body to come into contact with the fluid stream.
- DO plug the cord or extension cord only into grounded power supply.
- DO keep the sprayer out of the reach of children.
- ALWAYS place the sprayer upright (do not place the sprayer upside down or on its side) to prevent liquid from entering internal wiring and causing electric shock.
- ALWAYS wear mask, goggles, and ear and eye protection while operating the sprayer.
- When you stop spraying, ALWAYS unplug the cord to prevent unintended operation.
- To prevent electrical shock, NEVER immerse the sprayer into water or other liquids.
- NEVER leave sprayer unattended.
- NEVER leave sprayer plugged in while cleaning.

SERVICING A DOUBLE-INSULATED PRODUCT

In a double-insulated product, two systems of insulation are provided instead of grounding. No grounding means are provided on a double insulated product, nor should a means of grounding be added to the product. Servicing of a double-insulated product requires extreme care and knowledge of the system and should only be done by qualified service personnel.

Replacement parts for a double-insulated product must be identical to those parts in the product.

CAUTION

1. HAZARD: Solvent and paint fumes can explode or ignite, causing property damage and severe injury. Avoid all low ignition sources such as static electricity, sparks, and open flames.
2. HAZARD: Paints, solvents, insecticides, and other materials may be harmful if inhaled, causing severe nausea, fainting, or poisoning.
3. HAZARD: Do not hold cord at plug connections to support cord. Failure to observe may result in electrical shock.

PROP 65 WARNING

Handling the coated electrical wires of this product exposes you to lead, a chemical known to the State of California to cause birth defects or other reproductive harm. **Wash hands after use.**

HAZARD: EXPLOSION OR FIRE

Paint, stain, and solvent fumes can explode or ignite, causing property damage and/or severe injury.

- Keep area well ventilated. Exhaust and introduce fresh air to keep fumes from accumulating in work area.
- Do not spray in areas where there are ignition sources, static electricity, sparks, pilot lights, heaters, hot objects, cigarettes, or open flames.
- Have fire extinguishing equipment present and in good working order.
- Follow safety instructions and IMPORTANT SAFEGUARDS of material manufacturers.

HAZARD: HAZARDOUS VAPORS

Paint, stain and solvents, insecticides, varnishes, and other materials may be harmful if inhaled, causing severe nausea, fainting, or poisoning.

- Use a mask or respirator when spraying when there is a chance of inhaling vapors.
- Use protective eyewear.

EXTENSION CORDS

Make sure your extension cord is UL/ETL/CSA listed and is in good condition. When using an extension cord, be sure to use one heavy enough for the current - for lengths less than 18 feet, use a No. 18 AWG. or heavier; for lengths more than 18 feet, use No. 16 AWG. If in doubt, use a heavier gauge. An undersized cord will cause a drop in line voltage resulting in loss of power and overheating.

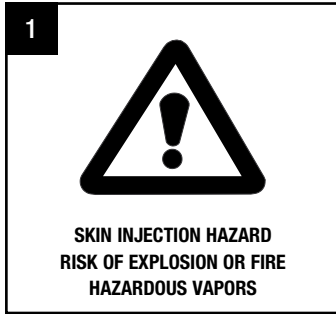
STORAGE

Make sure unit is clean and dry before storing. Store in a dry location. To prevent damage, the electrical cord should not be crimped during storage.

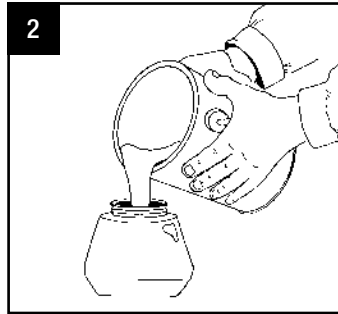
FAST START QUICK REFERENCE GUIDE

This is only a quick reference.
Read the entire instruction manual prior to using the product.

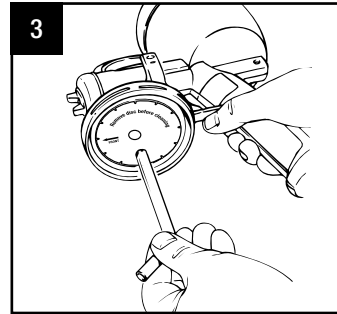
Spraying Instructions



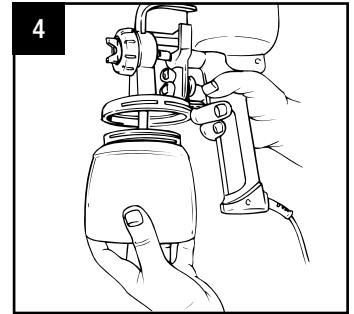
1. Read all warnings and safety instructions in the owner's manual before use.



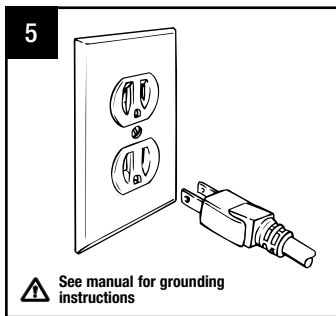
2. Thin material as necessary. (See page 7.) Remove and fill container with material. Use a filter to strain material if it is old.



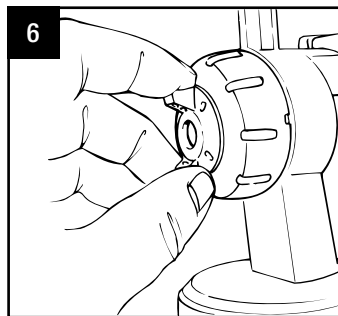
3. Insert the pick-up tube into the cylinder housing. See Page 6, Figure B to determine orientation of pick-up tube.



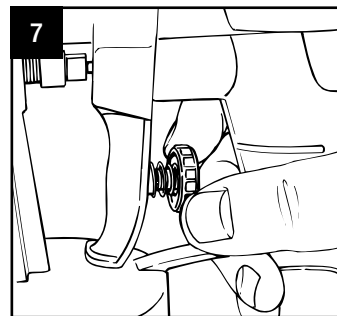
4. Attach container to sprayer.



5. Plug sprayer into outlet.



6. Adjust spray pattern to horizontal, vertical, or cone. (See page 8.)

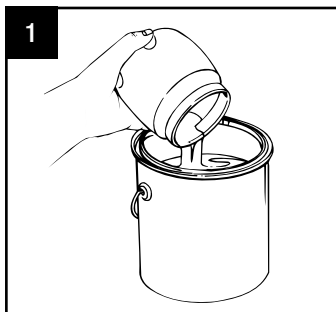


7. Set the flow to maximum by turning the volume control knob fully clockwise.

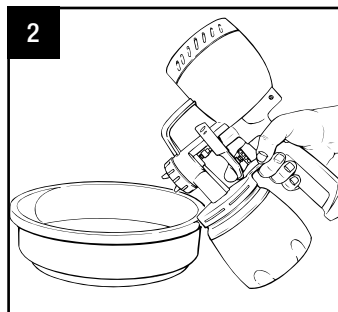


8. Spray surface, keeping sprayer level. Use a sweeping and overlapping motion.

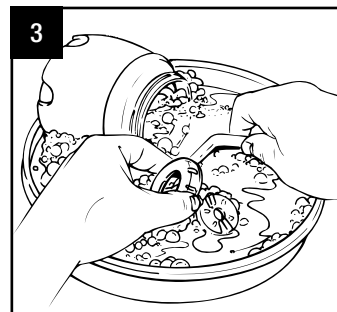
Cleaning Instructions



1. Unplug sprayer, remove container, and empty contents.



2. Fill sprayer with cleaning solution, plug in sprayer, and operate trigger until solution comes through nozzle. Do not submerge in liquid.



3. Remove parts. Clean and dry thoroughly according to Step Two of the Clean Up instructions. See page 9.

HOW TO USE

PRACTICE FIRST

Practice spraying water on newspaper or cardboard. This will give you the feel of the sprayer and familiarize you with its features. Follow the instructions for adjusting to the proper spray pattern.

1. Make sure the spray tip is screwed on tightly. Familiarize yourself with the spray cap: Turn its wings to adjust to a horizontal, vertical, or cone spray pattern. (See Figure A.)
2. Remove the container from the spray gun by turning it counterclockwise.
3. Firmly insert the pick-up tube. (See Figure B.) Place the pick-up tube with its angle pointing forward if you'll be spraying mostly in the downward direction, and place it facing backward if you'll be spraying mostly in an upward direction. This tube placement can be adjusted/changed at any time during your project.
4. Fill the container with water and re-fasten it.
5. Plug in the sprayer.
6. Engage the trigger and wait a few seconds for the unit to start spraying the water.
7. Turn the volume control knob fully clockwise to get maximum flow. Then, turn it counterclockwise and notice how the spray pattern changes in width and intensity. Adjust this knob until you get a good spray pattern. (See Figure C.)

NOTE: The best distance for spraying is 4 to 10 inches (see Figure D) from the surface you're spraying. Too far away may result in overspray (and wasted liquid), and too close may cause liquid build-up (runs).

8. Keep a stiff wrist. Do not arch your wrist at the beginning or the end of the stroke. (See Figure E.) Do not stop the motion of the unit while spraying. The path of the sprayer must pass beyond the area being sprayed, and the switch must be triggered on and off as the sprayer passes into and out of the spraying area. (See Figure F.)

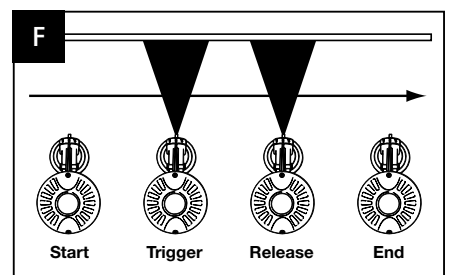
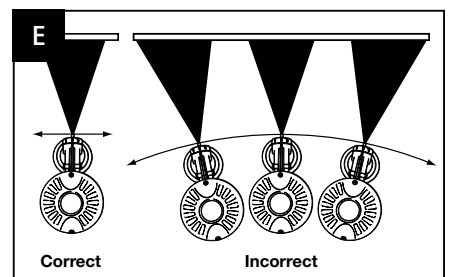
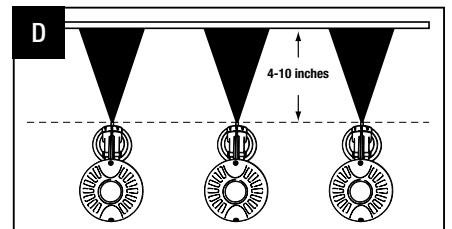
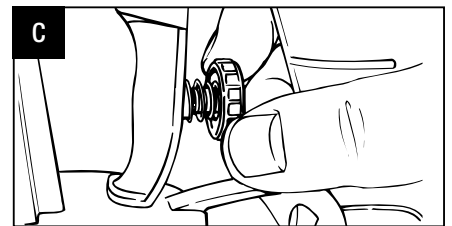
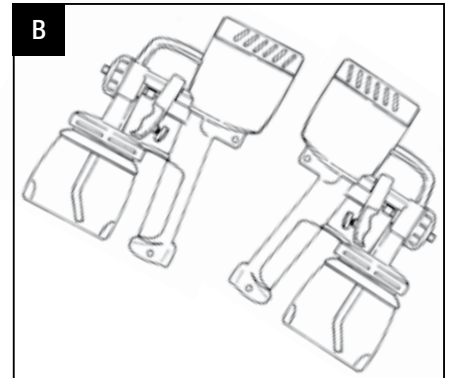
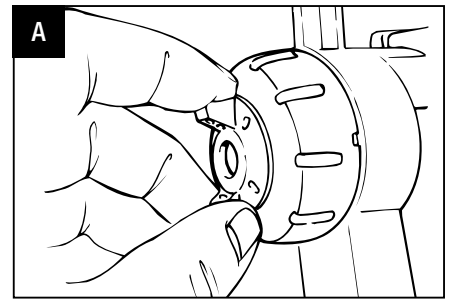
NOTE: Stopping the motion of the sprayer or swinging into a new stroke pattern while spray is being delivered will result in heavy spray build-up at the edges of the stroke.

SURFACE PREP

Thoroughly clean all objects and surfaces to be sprayed, before spraying material on them. You may want to mask or cover areas not intended to be sprayed.

SMALL PROJECTS

This sprayer uses airflow to transfer liquid to the work piece. It is recommended that for small projects, the user first tests the sprayer without adding liquid to the cup. The airflow may cause small pieces to move or fall during operation. Use caution and good judgement before spraying liquid.



HOW TO USE (CONTINUED)

THINNING MATERIALS

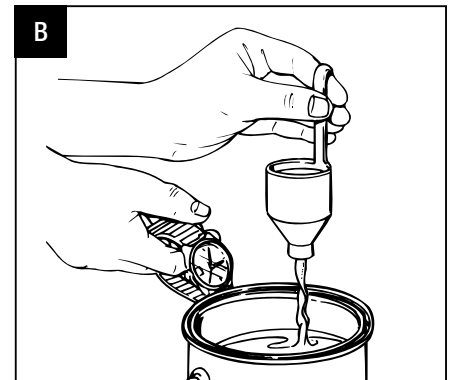
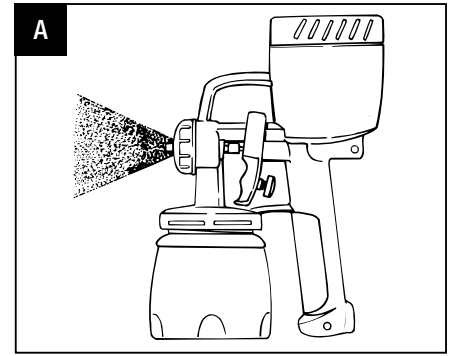
In order for your sprayer to operate properly it is important to make sure the stain or paint is thin enough to be sprayed. Thinning should be followed per the stain or paint manufacturer's guidelines. Because materials differ from brand to brand, this guide can offer only general information. The final guide to correctly thinned stain or paint is achieving the proper spray pattern as shown in Figure A. Always follow the coverage rate recommended by the manufacturer regardless of the thinning required. Because there is a variance in viscosity between paint and stain brands, it might be necessary to thin five to 15 percent to achieve optimum spray pattern.

Use the viscosity cup (included) and the chart below to determine whether you'll need to thin the material you're using:

1. Dip the viscosity cup fully into the liquid you intend to spray.
2. Lift the viscosity cup out of the liquid, and while holding the cup over the paint or stain can, time how long it takes for the liquid to drain out of the cup. This is known as the liquid's **run-out time**. If it takes longer than the time shown on the chart for the liquid to leave the viscosity cup, thin the liquid until the run-out time falls within the time bracket shown for the liquid you're using.
3. When you've completed this process, clean the viscosity cup with warm, soapy water if you're using a water-based product or per the manufacturer's instructions if you're using an oil-based product.

NOTES:

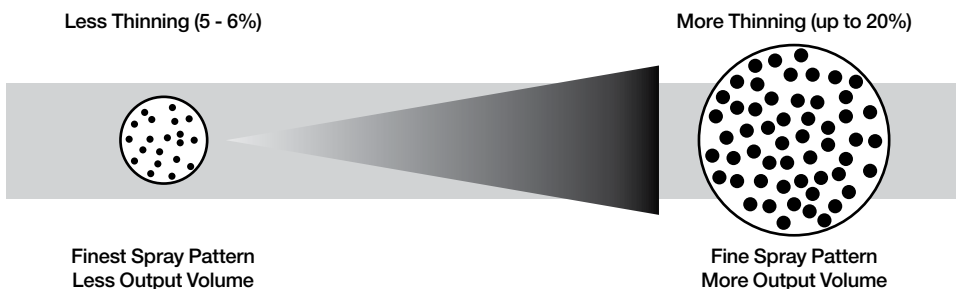
- Be sure pick-up tube is inserted tightly into the intake port.
- Thin material according to the procedure outlined above.
- Before each use, check the Brass Fluid Nozzle and Brass Fluid Needle for dried paint. Keep Brass Fluid Needle clean.
- Always thoroughly clean the sprayer after each use. (See CLEAN UP AND MAINTENANCE, page 9.)
- Turn control knob counterclockwise for less flow — see Page 6 Step 7 for more detail.
- Strain old paint or stain before using.
- Slowly stir paint or stain. To prevent air bubbles, do not shake stain or paint.



RUN-OUT TABLE AND THINNING CHART

Material (Oil-based or Water based)	Run-Out Time (seconds)
Clear Sealer	No thinning required
Enamel	25 to 40
Polyurethane	No thinning required
Primer	30 to 45
Stain	No thinning required
Varnish	20 to 50
Latex Paint	25 to 40

THINNING GUIDE



HOW TO USE (CONTINUED)

ADJUSTING THE SPRAY PATTERN

By turning the wings of the tip, the Finish Max Fine Finish Sprayer sprays in one of three patterns: horizontal, vertical, or cone. (See Figure D.) DO NOT engage the trigger while turning the tip, and be sure not to spray toward you, as this could cause injury. (See Figure C & D)

SPRAYING INSTRUCTIONS

Caution: Do not twist electrical cord. Make sure heavy objects are not placed on it. Keep electrical cord away from heat and sharp objects. To avoid a tripping hazard, make sure cord is not in a heavy traffic area. Do not use the cord if it is damaged.

Use appropriate breathing protection, eye protection, gloves and clothing.

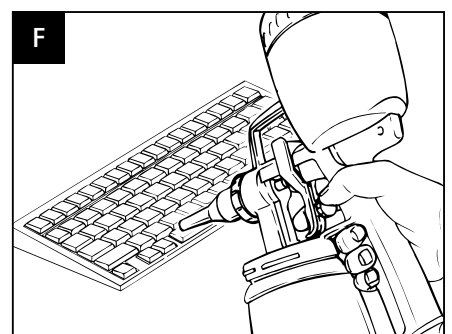
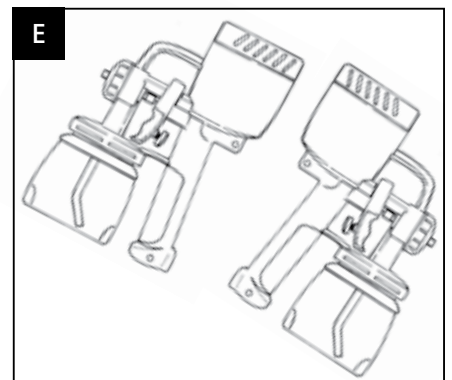
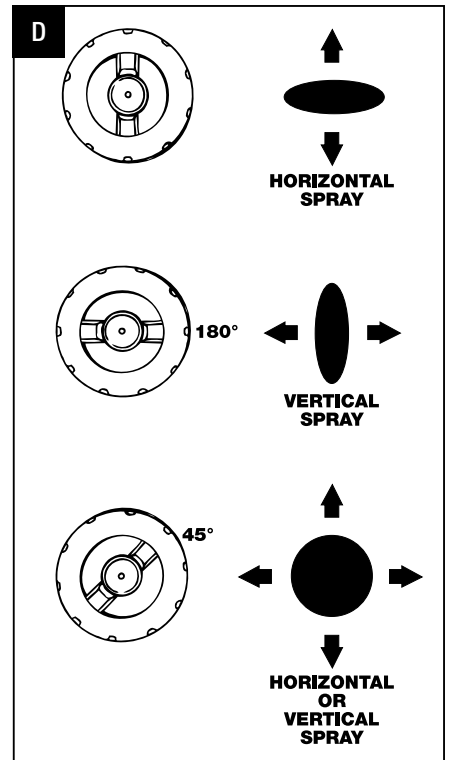
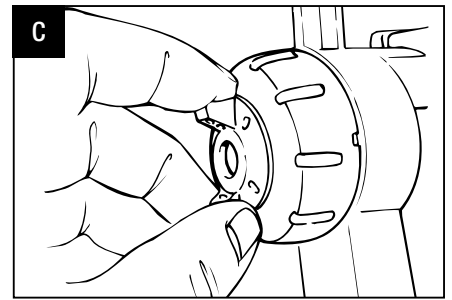
1. Make sure the container is empty and dry.
2. Pour paint or stain into the container.
3. Be sure the pick-up tube is inserted tightly in the intake port and the tube's angle is as you want it. (Figure E.)
4. Affix the container to the sprayer by turning the container counterclockwise.
5. Refer back to "Practice First" on page 6 and do this process again, this time to adjust the flow rate not to the water you used to practice but to the material now in the container. If, after making adjustments, you still are not satisfied with the spray pattern, refer to TROUBLESHOOTING on page 10.
6. Hold the sprayer 4 to 10 inches from the surface to be painted. While the angled pick-up tube permits you to spray in an upward or downward direction, try to tilt the sprayer as little as possible. Do not tip more than 45 degrees when motor is switched off.
7. Overlap each stroke by about 1/3 of the spray pattern.

NOTE: If you stop spraying for 30 minutes or longer: Before continuing, retest the spray pattern by spraying on newspaper or cardboard. If you are unable to adjust the spray pattern properly, it is possible the stain or paint material has started to dry. If this happens, clean the sprayer. See **CLEAN UP INSTRUCTIONS**.

NOTE: If the spray pattern still is not correct, you may need to thoroughly clean the spray tip and pick-up tube. To keep the unit spraying properly, you should expect to clean it after dispensing each five to nine gallons of paint or stain. After cleaning, reassemble the parts.

AIR BLOWING NOZZLE

The air blowing nozzle is a breeze-dusting device, suitable for dusting computer heatsinks, keyboards, airconditioner filter meshes and all kinds of precision instruments. (See Figure F.) However it is NOT suitable for liquid spraying.

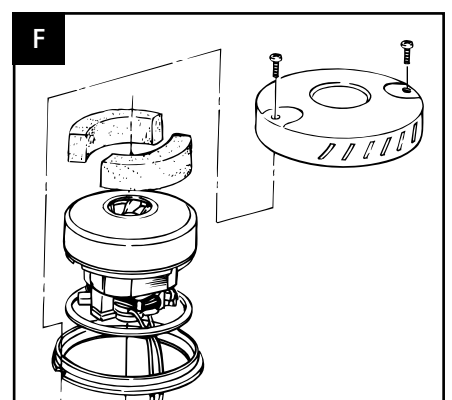
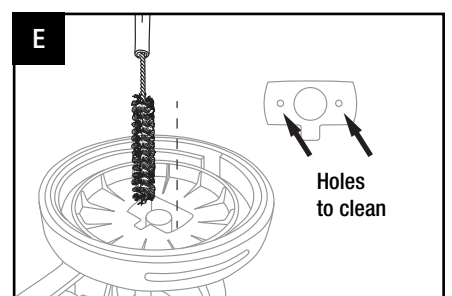
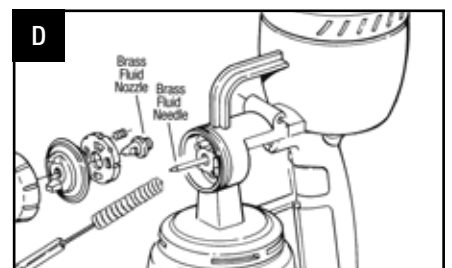
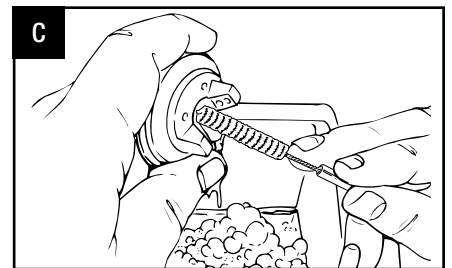
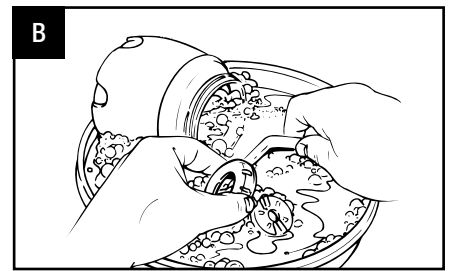
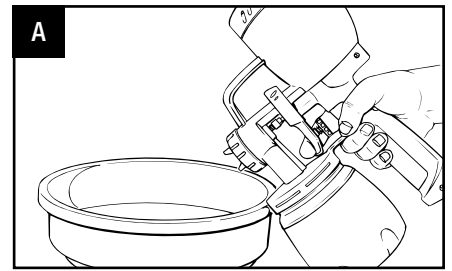


CLEAN UP & MAINTENANCE

STEP ONE: CLEAN UP INSTRUCTIONS

NOTE: Proper clean up is essential to keep your sprayer in optimum working condition. Dried by-products act like glue and will cause moving parts to stick. Failure to properly clean your paint sprayer will damage the unit. Taking the time to clean your sprayer immediately after use will help your sprayer last longer and work correctly. If you are finished with the project or are not going to use the sprayer within the day, you must follow these instructions for proper clean up. Never store the sprayer longer than 30 minutes without cleaning.

1. Unplug sprayer from electrical outlet and pull trigger on spray gun so material inside unit flows back into the container.
2. Empty any remaining (stain or paint) material from the container.
3. Fill container approximately 1/2 full with appropriate cleaning solution. For latex, use warm soapy water; for oil-based, use a cleaning solution recommended by the material manufacturer.
4. Plug sprayer into an electrical outlet.
5. Press the switch of the sprayer until the cleaning solution passes through the spray nozzle for several seconds. (See Figure A.)
6. Remove container and properly discard the cleaning solution.
7. Unplug the sprayer from the electrical outlet.



STEP TWO: CLEAN UP INSTRUCTIONS FOR THE SPRAY TIP

Use the brush (included) to complete the following steps.

1. Unplug sprayer from electrical outlet and pull trigger on spray gun so material inside unit flows back into the container.
2. Unscrew the container and discard any remaining cleaning solution.
3. Remove the pick-up tube from the sprayer and clean it with warm, soapy water.* (See Figure B.)
4. Unscrew the air cap ring, remove the winged spray cap and the inner spacer. Clean all three with warm, soapy water.* (See Figure C.)
5. Clean the sealing ring found between the container and the housing with warm, soapy water*.
6. Clean the Brass Fluid Nozzle housing and the unit with warm, soapy water.* Remove the Brass Fluid Nozzle by unscrewing and clean around the brass needle with the brush provided. (See Figure D.)
7. Remove foam splash guard. Clean holes on each side of pickup tube with the tip of the supplied brush. (See Figure E.)
8. Let the components dry thoroughly and reassemble the unit.
9. Store the unit.

*If you've been using oil-based liquids, clean these parts with whatever the liquid manufacturer recommends (probably mineral spirits).

MAINTENANCE

Air filters should be inspected periodically. If it is excessively dirty, follow these steps to remove and replace: (Figure F)

1. Keeping the sprayer upright at all times, remove two screws from the motor lid and remove the lid.
2. Replace filters (P/N C800982) and reinstall lid.

SERVICING A DOUBLE-INSULATED PRODUCT

In a double-insulated product, two systems of insulation are provided instead of grounding. No grounding means is provided on a double insulated product, nor should a means of grounding be added to the product. Servicing of a double-insulated product requires extreme care and knowledge of the system and should only be done by qualified service personnel. Replacement parts for a double-insulated product must be identical to those parts in the product.

TROUBLESHOOTING

PROBLEM	CAUSE	REMEDY
Sags or runs	<ul style="list-style-type: none"> A. Too much paint. B. Gun moving too slowly. C. Paint too thin. D. Gun held at incorrect angle or too close to painting surface. E. Spray overlaps too much. 	<ul style="list-style-type: none"> A. Turn paint control knob counterclockwise. B. Move gun faster. C. Add unthinned paint to achieve correct time through viscosity test cup. D. Hold gun at right angle to the painting surface at a distance of 4-10 inches. E. Overlap spray by approximately 1/3 width of spray pattern.
Dry spray	<ul style="list-style-type: none"> A. Insufficient paint coming from the spray gun. B. Gun held too far from surface. C. Overspray from a preceding section when gun is not held at right angle to painting surface. D. Spray patterns not well overlapped. 	<ul style="list-style-type: none"> A. Turn paint control knob clockwise. B. Hold gun at a distance of 4-10 inches or closer for small objects. C. Hold gun at right angle to the painting surface. D. Overlap spray by approximately 1/3 width of spray pattern.
Striped or uneven coverage	<ul style="list-style-type: none"> A. Gun tilted or not held at right angle to painting surface. B. Dirt or burrs on air-cap or paint tip cause heavy top and bottom pattern C. Spray patterns not well overlapped. 	<ul style="list-style-type: none"> A. Hold the gun at right angles to painting surface. B. Clean or replace air-cap or paint tip. C. Overlap spray by approximately 1/3 width of spray pattern.
Spitting or spraying lumps	<ul style="list-style-type: none"> A. Solid particles in paint B. Loose paint tube. 	<ul style="list-style-type: none"> A. Strain paint. B. Ensure paint tube is firmly pushed into place.
Weak or no spray	<ul style="list-style-type: none"> A. Low volume of paint from container due to blocked air passageway in spray gun body. (Figure E, Page 9) B. Paint not thin enough. C. Lid washer missing/dirty 	<ul style="list-style-type: none"> A. Clean passageway (3 mm vent holes in the container lid). B. Add the appropriate amount of solvent to the paint. Add only a small amount of solvent to the paint at one time. C. Replace/clean lid washer
Top-or bottom-heavy pattern or heavy right or left side pattern	<ul style="list-style-type: none"> A. Air cap holes partially blocked. B. Obstruction on paint tip or dirt on air cap seat or paint tip seat. 	<ul style="list-style-type: none"> A. Determine if obstruction is on air cap or paint tip by making a test pattern, rotating air cap half turn, and spraying another test pattern. If defect is inverted, obstruction is on air cap. B. Clean air cap with non-metallic instrument. If obstruction is on paint tip, check for fine burring which can be removed with 600 wet or dry sandpaper. For dried paint inside, open and wash.
Fluttering spray	<ul style="list-style-type: none"> A. Lack of paint. B. Blocked paint passages. C. Damaged paint nozzle or needle. 	<ul style="list-style-type: none"> A. Refill container. B. Clean. C. Clean needle set or replace if necessary.
Paint leaking from guide nut	<ul style="list-style-type: none"> A. Loose guide nut. B. Worn guide washer. 	<ul style="list-style-type: none"> A. Tighten guide nut. B. Replace guide washer.
Paint leaking from front of gun.	<p>Needle not seated properly due to:</p> <ul style="list-style-type: none"> A. Worn or damaged paint nozzle. B. Dirt or dried paint in nozzle. C. Guide washer too tight preventing needle from seating. D. Broken spring. E. Scored or damaged needle. 	<ul style="list-style-type: none"> A. Replace nozzle. B. Clean nozzle. C. Loosen guide washer. D. Replace spring. E. Replace needle.

VEUILLEZ LIRE ET CONSERVER CE MANUEL D'INSTRUCTION

FRANÇAIS

**HOMERIGHT®**

FINITION FINE PULVÉRISATEUR FINISH MAX®

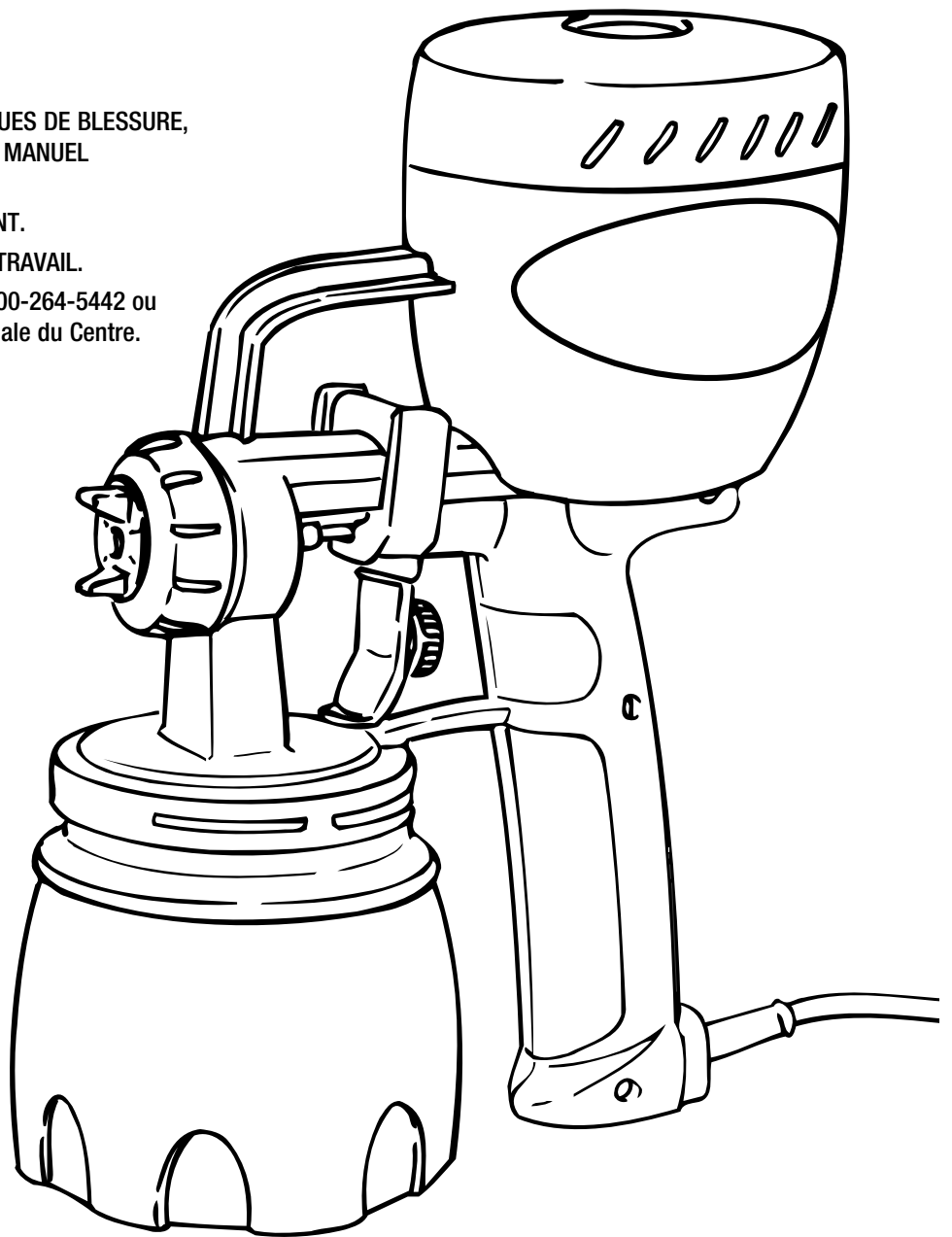
⚠ AVERTISSEMENT POUR RÉDUIRE LES RISQUES DE BLESSURE, L'UTILISATEUR DOIT LIRE ET COMPRENDRE LE MANUEL D'INSTRUCTION.

DESTINÉ À UN USAGE DOMESTIQUE SEULEMENT.

TENEZ LES ENFANTS ÉLOIGNÉS DE L'AIRE DE TRAVAIL.

Pour le service à la clientèle, appelez au : 1-800-264-5442 ou (763) 780-5115, de 8h00 à 17h00, heure normale du Centre.

Fabriqué en Taiwan



**Enregistrez en ligne aujourd'hui
Pour lancer votre garantie de deux ans**

Attaquez-vous en ligne chez www.homeright.com ou balayez le code de QR vers la gauche. Voyez secondaire pour des détails de garantie.

TABLE DES MATIÈRES

MESURES DE PROTECTION IMPORTANTES	12
△ Avertissements.....	13
Proposition 65	13
Danger : Explosion ou incendie.....	13
Danger : Émanations dangereuses	13
Rallonges.....	13
Rangement	13
GUIDE DE RÉFÉRENCE RAPIDE	14
MODE D'EMPLOI.....	15
Essais préalables	15
Préparation de la surface.....	15
Produits de dilution	16
Réglable de la forme du jet.....	17
Directives de pulvérisation.....	17
Buse à jet d'air	17
NETTOYAGE ET ENTRETIEN.....	18
Étape 1 : directives de nettoyage.....	18
Étape 2 : directives de nettoyage de la buse de pulvérisation	18
Entretien	18
DÉPANNAGE	19
LISTE DES PIÈCES.....	30-31
GARANTIE LIMITÉE DE DEUX ANS.....	32

MESURES DE SÉCURITÉ IMPORTANTES

HomeRight ne pourra être tenue responsable des pertes ou des dommages causés par l'utilisation de ce produit d'une manière qui n'est pas précisément mentionnée dans ce manuel. L'utilisateur assume tous les risques associés à une utilisation non précisée dans ce document.

Avant d'utiliser ce produit, l'utilisateur doit évaluer et déterminer s'il convient à l'application prévue. L'utilisateur assume tous les risques associés à une telle utilisation. User assumes all risks and liability associated with such use.

LIRE ET SUIVRE TOUTES LES MESURES DE SÉCURITÉ.

Comme d'autres outils électriques, le pulvérisateur Finish Max est sécuritaire s'il est bien utilisé, mais peut représenter un danger dans le cas contraire. Il est de la responsabilité de l'utilisateur de lire et comprendre toutes les instructions, les MESURES DE SÉCURITÉ IMPORTANTES et les précautions de sécurité avant de mettre en marche et d'utiliser correctement l'appareil. Le non-respect de cette consigne peut causer des blessures ou la mort et peut endommager le produit.

Ne pas essayer de réparer (ou démonter) l'appareil soi-même. Les réparations doivent être effectuées par le personnel qualifié d'un magasin qui connaît bien cet appareil. Il est également possible de retourner l'appareil à HomeRightMD. Voir la garantie. Cet appareil doit être utilisé uniquement avec les pièces autorisées. Lorsque des pièces qui ne sont pas conformes aux spécifications et aux dispositifs de sécurité du fabricant sont utilisées, l'utilisateur assume tous les risques et responsabilités.

MESURES DE PROTECTION IMPORTANTES

LIRE ET SUIVRE TOUTES LES MESURES DE PROTECTION.

Tout comme les autres outils électriques, les pulvérisateurs sans air comprimé sont sécuritaires lorsqu'ils sont utilisés correctement, mais peuvent être dangereux s'ils sont mal utilisés. Il incombe à l'utilisateur de lire et de comprendre toutes les directives, les MESURES DE PROTECTION IMPORTANTES et les consignes de sécurité avant de faire fonctionner ou d'utiliser l'appareil. Si ces précautions ne sont pas prises, des blessures corporelles, des dommages matériels, voire la mort pourraient en résulter.

Ne tentez jamais de réparer (ou de démonter) l'appareil vous-même. Les réparations doivent être effectuées par un atelier professionnel familier avec cet appareil ou par HomeRight® en lui retournant l'appareil. Consultez la garantie. Cet appareil ne doit être utilisé qu'avec des pièces approuvées. L'utilisateur assume tous les risques et les responsabilités découlant de l'utilisation de pièces qui ne répondent pas aux spécifications et aux dispositifs de sécurité du fabricant.

AVERTISSEMENTS

- N'orientez PAS le pulvérisateur vers vous ou toute autre personne; en cas de blessures, contactez immédiatement un médecin.
- NE couvrez PAS la buse avec une quelconque partie de votre corps. Un jet à grande vitesse peut entraîner des blessures accidentelles.
- NE PAS laisser le pulvérisateur non nettoyé ou avec de la peinture à l'intérieur. Un pulvérisateur sale ne fonctionnera pas lors de la prochaine utilisation et la garantie risque d'être annulée.
- NE pulvérisez PAS des produits texturés contenant des fibres d'amiante.
- NE pulvérisez PAS des produits texturés contenant des particules ou des fibres comme des peintures métallisées et des peintures ignifuges.
- NE pulvérisez PAS de liquides inflammables.
- N'utilisez PAS le pulvérisateur à l'extérieur lorsqu'il pleut.
- N'utilisez PAS le pulvérisateur à un niveau inférieur à un plancher de garage ou au niveau du sol.
- NE démontez PAS le pulvérisateur sans avoir lu les directives.
- NE laissez AUCUNE partie du corps venir en contact avec le jet de fluide.
- BRANCHEZ le cordon électrique ou la rallonge uniquement dans une prise mise à la terre.
- MAINTENEZ le pulvérisateur hors de portée des enfants.
- Placez TOUJOURS le pulvérisateur en position verticale (ne le placez pas à l'envers ou sur le côté) afin d'empêcher que le liquide pénètre dans le circuit interne et cause des chocs électriques.
- Portez TOUJOURS un masque, des lunettes étanches et des protecteurs d'oreille lorsque vous utilisez le pulvérisateur.
- Lorsque vous avez terminé, débranchez TOUJOURS le cordon électrique afin d'éviter toute pulvérisation accidentelle.
- Pour éviter des chocs électriques, NE plongez JAMAIS le pulvérisateur dans de l'eau ni d'autres liquides.
- NE laissez JAMAIS le pulvérisateur sans surveillance.
- NE laissez JAMAIS le pulvérisateur branché durant le nettoyage.

RÉPARATION D'UN PRODUIT À DOUBLE ISOLATION

Un produit à double isolation comporte deux systèmes d'isolation au lieu d'un fil de terre. Il ne comporte aucune mise à la terre et il ne faut pas lui en ajouter une. La réparation d'un produit à double isolation exige un très grand soin et une excellente connaissance de ce système et ne doit être confiée qu'à un personnel qualifié. Les pièces de rechange d'un produit à double isolation doivent être identiques aux pièces originales.

MISE EN GARDE

1. DANGER : Les émanations de solvants ou de peinture peuvent exploser ou s'enflammer, causer des dommages à la propriété et des blessures graves. Évitez toutes les faibles sources d'inflammation, comme les étincelles d'électricité statique et les flammes nues.
2. DANGER : Les peintures, solvants, insecticides et autres produits similaires peuvent être dangereux s'ils sont inhalés. Ils peuvent causer des nausées, des évanouissements et des empoisonnements graves.
3. DANGER : Ne tenez pas le cordon électrique au niveau des connexions pour le soutenir. Ceci peut entraîner des chocs électriques.

PROPOSITION 65

La manipulation des fils électriques enrobés de ce produit vous expose à du plomb, un matériau chimique connu dans l'État de Californie pour causer des anomalies congénitales et d'autres malformations de la reproduction. **Lavez-vous les mains après utilisation.**

DANGER : EXPLOSION OU INCENDIE

Les émanations de peintures, teintures et solvants peuvent exploser ou s'enflammer et causer des dommages à la propriété ou des blessures graves.

- Gardez la zone bien aérée. Évacuez l'air vicié et faites pénétrer de l'air frais dans la pièce pour éviter que les émanations ne s'y accumulent.
- Le pulvérisateur ne doit pas être utilisé en présence de sources d'inflammation, d'étincelles, d'électricité statique, de veilleuses, de chaufferettes, d'objets chauds, de cigarettes ni de flammes nues.
- Ayez toujours un extincteur en état de fonctionnement à portée de la main.
- Suivez les consignes de sécurité et les MESURES DE PROTECTION IMPORTANTES émises par les fabricants des produits.

DANGER : ÉMANATIONS DANGEREUSES

Les teintures, peintures, solvants, insecticides, vernis et autres produits similaires peuvent être dangereux s'ils sont inhalés. Ils peuvent causer des nausées, des évanouissements et des empoisonnements graves.

- Utilisez un masque ou un respirateur lors de la pulvérisation lorsqu'il y a un risque d'inhalation de vapeurs nocives.
- Utilisez des lunettes de protection.

RALLONGES

Assurez-vous que la rallonge est homologuée UL/ETL/CSA et qu'elle est en bon état. Lorsque vous utilisez une rallonge, assurez-vous que le câble est suffisamment gros – pour des distances de moins de 5 mètres utilisez un câble de calibre 18, et pour des distances de plus de 5 mètres, utilisez un câble de calibre 16. En cas de doute, utilisez un câble de calibre supérieur. Un cordon sous-dimensionné entraînera une chute de tension ainsi qu'une perte de courant et une surchauffe.

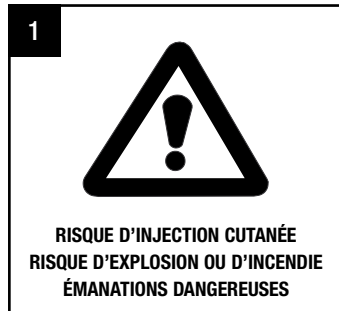
RANGEMENT

Assurez-vous que l'appareil est propre et sec avant de le ranger. Rangez-le dans un endroit sec. Le cordon électrique ne doit pas être pincé durant l'entreposage de manière à ne pas l'endommager.

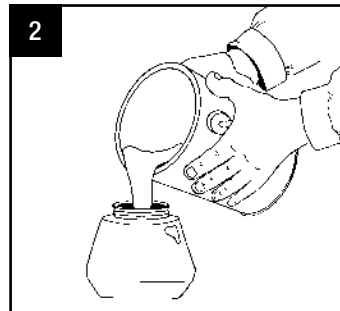
GUIDE DE RÉFÉRENCE RAPIDE

Ceci n'est qu'un guide de référence rapide.
Lisez le manuel d'instruction au complet avant d'utiliser ce produit.

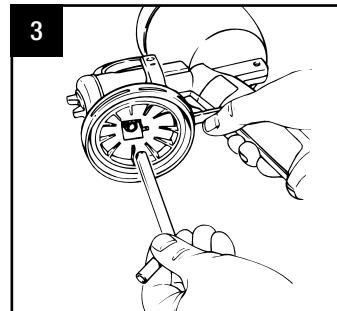
Directives de pulvérisation



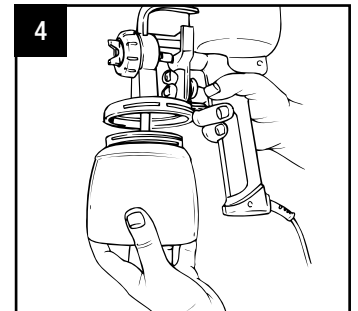
1. Veuillez lire tous les avertissements et les consignes de sécurité du manuel avant l'utilisation.



2. Diluez le produit s'il y a lieu. (Voir la page 17.) Retirez et remplissez le contenant. Utilisez un filtre pour passer au tamis les vieilles peintures ou teintures.



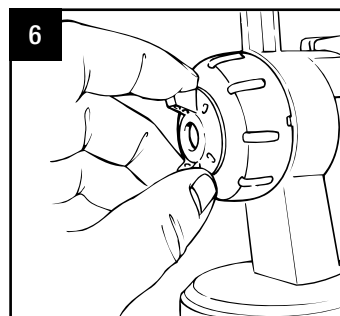
3. Insérez le tube plongeur dans le logement de cylindre. Reportez-vous à l'illustration B à la page 16 pour déterminer l'orientation du tube plongeur.



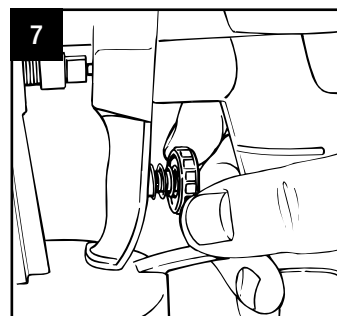
4. Fixez le contenant sur le pulvérisateur.



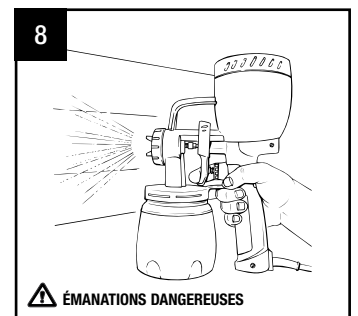
5. Branchez le pulvérisateur sur une prise.



6. Réglez la forme du jet sur horizontal, vertical ou conique. (Voir la page 28.)

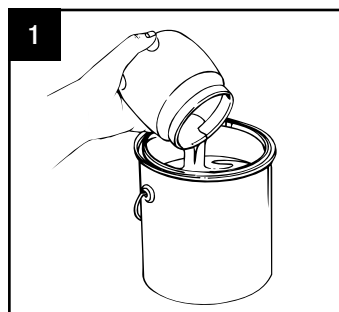


7. Réglez le débit au maximum en tournant complètement le bouton de contrôle du volume dans le sens horaire.

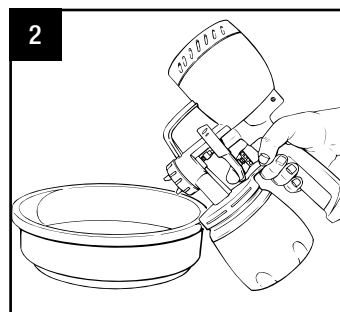


8. Pulvérisez la surface, en maintenant le pulvérisateur de niveau. Utilisez un mouvement de balayage et de chevauchement.

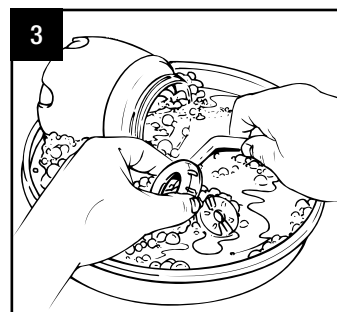
Directives de nettoyage



1. Débranchez le pulvérisateur, retirez le contenant et videz son contenu.



2. Remplissez le pulvérisateur avec une solution de nettoyage, branchez-le et actionnez la gâchette jusqu'à ce que la solution sorte de l'embout. Ne plongez pas dans un liquide.



3. Enlevez les pièces. Nettoyez-les et séchez-les soigneusement conformément à l'étape 2 des directives de nettoyage. Voir la page 19.

MODE D'EMPLOI

ESSAIS PRÉALABLES

Entraînez-vous à pulvériser de l'eau sur un journal ou du carton. Vous pourrez ainsi vous familiariser avec le pulvérisateur et ses fonctions. Suivez les directives de réglage pour une répartition adéquate de la pulvérisation.

1. Assurez-vous que la buse est fermement vissée. Apprenez à utiliser le capuchon de pulvérisation : Tournez ses ailettes pour obtenir un jet horizontal, vertical ou conique. (Reportez-vous à l'illustration A.)
2. Enlevez le réservoir du pulvérisateur en le tournant dans le sens antihoraire.
3. Insérez fermement le tube plongeur. (Reportez-vous à l'illustration B.) Placez le tube plongeur en orientant son angle vers l'avant si vous prévoyez peindre surtout vers le bas ou tournez-le vers l'arrière si vous prévoyez peindre surtout vers le haut. La position du tube peut être ajustée ou modifiée en tout temps au cours des travaux.
4. Remplissez le contenant avec de l'eau et remettez-le en place.
5. Branchez le pulvérisateur.
6. Appuyez sur la gâchette et attendez quelques secondes pour que l'appareil commence à pulvériser de l'eau.
7. Tournez complètement le bouton de contrôle du volume dans le sens horaire pour obtenir le débit maximal. Puis, tournez-le dans l'autre sens et observez comment la largeur et l'intensité du jet changent. Ajustez ce bouton jusqu'à ce que vous obteniez un jet adéquat. (Reportez-vous à l'illustration C.)

REMARQUE : La distance idéale de pulvérisation est comprise entre 10 cm et 25 cm (reportez-vous à l'illustration D) de la surface à pulvériser. Une distance trop grande peut causer un chevauchement excessif (et un gaspillage du liquide) et une distance trop courte peut causer une trop grande accumulation du liquide (coulures).

8. Gardez votre poignet rigide lors de l'application du produit. Ne le pliez pas au début ni à la fin d'une passe. (Reportez-vous à l'illustration E.) Assurez-vous d'appliquer le produit dans un mouvement continu. La trajectoire du pulvérisateur doit dépasser la zone à couvrir et il faut relâcher ou appuyer sur la gâchette selon que le pulvérisateur entre dans la zone de pulvérisation ou la quitte. (Reportez-vous à l'illustration F.)

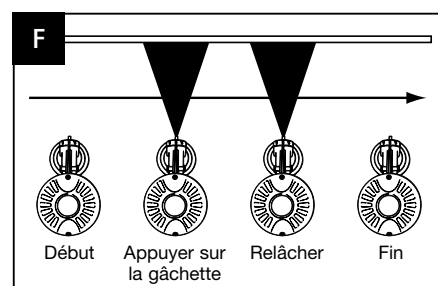
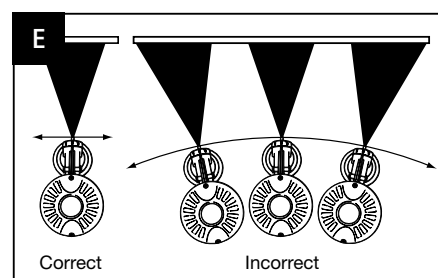
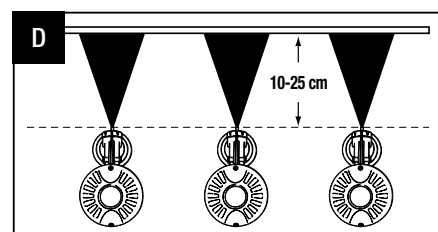
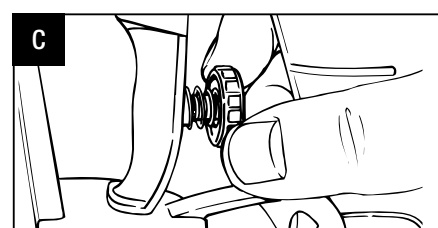
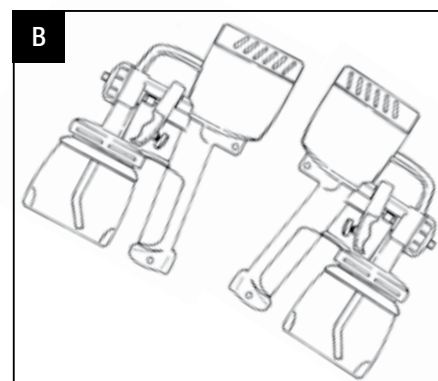
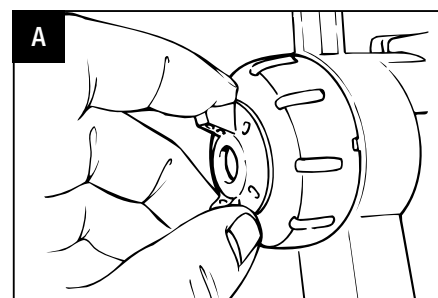
REMARQUE : Si vous interrompez le mouvement du pulvérisateur ou si vous entamez une nouvelle séquence tout en continuant la pulvérisation, une importante accumulation d'eau se produira sur les bords de la passe.

PRÉPARATION DE LA SURFACE

Nettoyez soigneusement tous les objets et surfaces à pulvériser avant de commencer l'application. Masquez ou couvrez les zones qui ne doivent pas être pulvérisées.

PETITS PROJETS

Ce pulvérisateur utilise un débit d'air pour transférer du liquide sur la pièce à travailler. Pour les petits projets, il est recommandé que l'utilisateur teste d'abord le pulvérisateur sans ajouter de liquide dans le godet. Le débit d'air peut faire bouger ou tomber de petites pièces au cours de l'opération. Faites preuve de prudence et de bon jugement avant de vaporiser le liquide.



MODE D'EMPLOI (SUITE)

PRODUITS DE DILUTION

Pour que le pulvérisateur fonctionne correctement, il est important que la teinture ou la peinture soit suffisamment diluée pour être pulvérisée. Suivez les directives de dilution du fabricant de teinture ou de peinture. Compte tenu que les produits diffèrent d'une marque à l'autre, ce guide ne peut servir que de point de départ. Le but final d'une dilution correcte des teintures ou peintures est d'obtenir la répartition de pulvérisation appropriée figurant sur l'illustration A. Suivez toujours le rendement en surface recommandé par le fabricant, peu importe la dilution requise. La viscosité étant différente entre les marques de teintures et de peintures, il peut s'avérer nécessaire de diluer de 5 à 15 % afin d'obtenir une répartition optimale de la pulvérisation.

À l'aide du gobelet à viscosité (inclus) et du tableau ci-dessous, déterminez si vous devez diluer le produit que vous utilisez :

1. Plongez complètement le gobelet à viscosité dans le liquide à pulvériser.
2. Soulevez le godet de viscosimètre hors du liquide et, en tenant le godet au-dessus de la peinture ou de la teinture, vérifiez le temps qu'il faut au liquide pour s'écouler hors du godet. C'est ce qui s'appelle le temps d'écoulement. S'il faut plus de temps que ce qu'indique le tableau pour que le gobelet se vide, diluez le liquide jusqu'à ce que le temps d'écoulement se situe à l'intérieur de l'intervalle indiqué pour le produit utilisé.
3. Une fois ce processus terminé, nettoyez le gobelet à viscosité dans de l'eau tiède savonneuse si vous utilisez un produit à l'eau ou selon les directives du fabricant si vous utilisez un produit à l'huile.

REMARQUES :

- Assurez-vous que le tube plongeur est fermement inséré dans l'orifice d'admission.
- Diluez le produit conformément à la procédure indiquée ci-dessus.
- Avant chaque utilisation, assurez-vous qu'il n'y a pas de peinture sèche sur la buse de fluide en laiton et l'aiguille de fluide en laiton. Gardez l'aiguille de fluide en laiton propre.
- Nettoyez systématiquement le pulvérisateur après chaque utilisation. (Reportez-vous aux DIRECTIVES DE NETTOYAGE ET D'ENTRETIEN, page 17.)
- Tournez le bouton de réglage du volume dans le sens antihoraire pour réduire le débit – voir l'étape 7 à la page 16 pour plus de détails.
- Passez les vieilles peintures ou teintures au tamis avant de les utiliser.
- Remuez lentement la teinture ou la peinture. Ne secouez pas le contenant pour éviter la formation de bulles d'air.

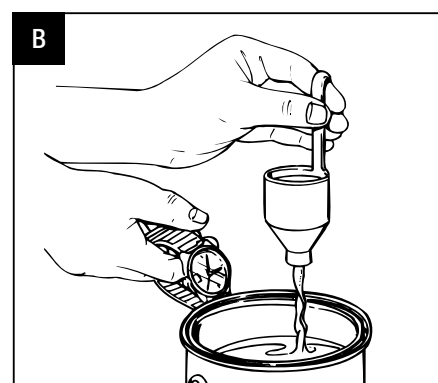
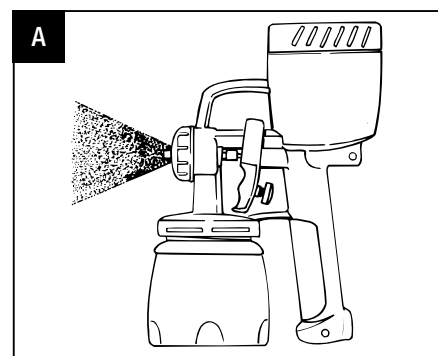


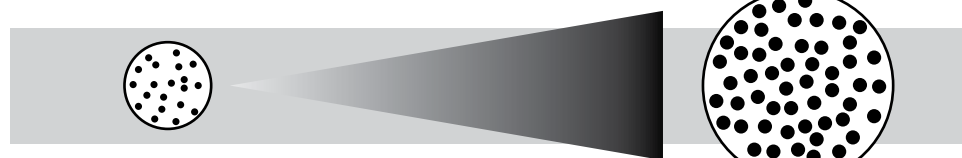
TABLEAU DE TEMPS D'ÉCOULEMENT ET DE DILUTION

Substance (à base d'huile ou d'eau)	Temps d'écoulement (secondes)
Imperméabilisant clair	Aucune dilution
Émail	25 à 40
Polyuréthane	Aucune dilution
Apprêt	30 à 45
Teinture	Aucune dilution
Vernis	20 à 50
Peinture au latex	25 à 40

GUIDE DE DILUTION

Moins de dilution (5 - 6 %)

Plus de dilution (jusqu'à 20 %)



Jet de pulvérisation le plus fin
Moins de volume de sortie

Jet de pulvérisation fin
Plus de volume de sortie

MODE D'EMPLOI (SUITE)

RÉGLABLE DE LA FORME DU JET

Si vous tournez les ailettes de la buse, le Finition Fine Pulvérisateur Finish Max offre trois formes de jet : jet horizontal, vertical ou conique. (Reportez-vous à l'illustration D.) N'appuyez PAS sur la gâchette en tournant la buse et prenez garde de ne pas pulvériser dans votre direction, au risque de vous blesser. (Reportez-vous aux illustrations C et D.)

DIRECTIVES DE PULVÉRISATION

Mise en garde : Ne tortillez pas le cordon électrique. Assurez-vous que des objets lourds ne reposent pas dessus. Gardez le cordon électrique éloigné des sources de chaleur et des objets pointus. Pour éviter de faire trébucher quelqu'un, assurez-vous que le cordon ne se trouve pas dans une zone de passage. N'utilisez jamais un cordon endommagé.

Portez un respirateur approprié, des lunettes protectrices, des gants et des vêtements protecteurs.

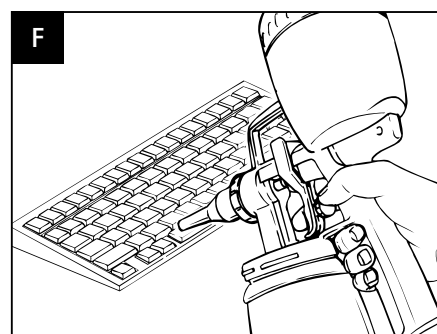
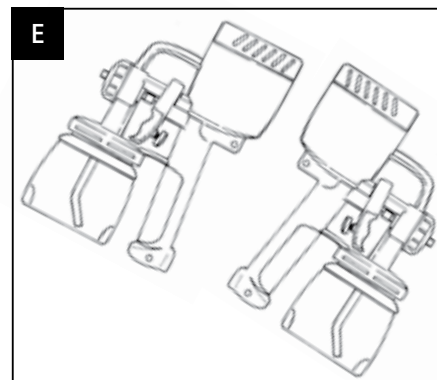
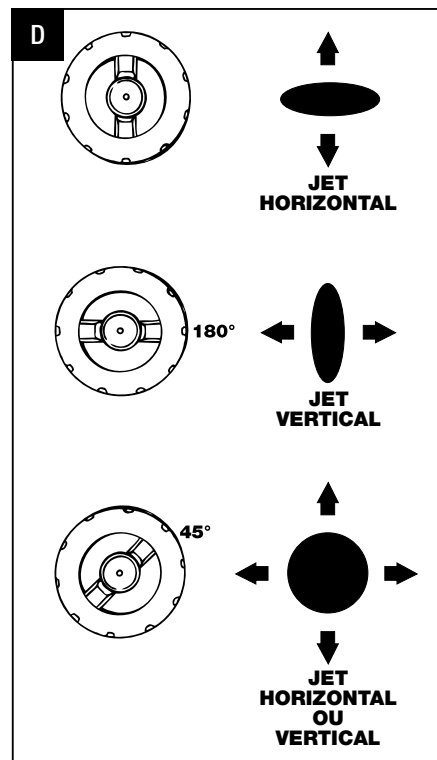
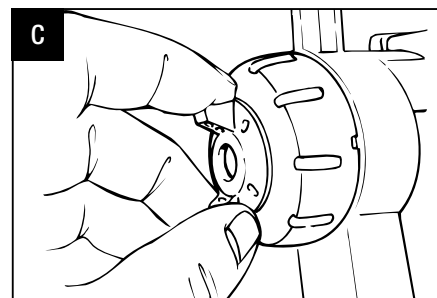
1. Assurez-vous que le réservoir est vide et sec.
2. Versez la teinture ou la peinture dans le réservoir.
3. Assurez-vous que le tube plongeur est fermement inséré dans l'orifice d'admission et placé à l'angle désiré. (Reportez-vous à l'illustration E.)
4. Fixez le réservoir au pulvérisateur en le tournant dans le sens horaire.
5. Reportez-vous à la section « Essais préliminaires » à la page 16 et recommencez le processus pour régler cette fois le débit du produit utilisé dans le réservoir au lieu de l'eau. Si, après les réglages, vous n'êtes toujours pas satisfait de la forme du jet, consultez la section DÉPANNAGE à la page 20.
6. Tenez le pulvérisateur à une distance de 10 cm à 25 cm de la surface à peindre. Bien que l'angle du tube plongeur vous permette de pulvériser vers le haut ou vers le bas, essayez de pencher le moins possible le pulvérisateur. N'inclinez pas le pulvérisateur à plus de 45 degrés lorsque le moteur est arrêté.
7. Chevauchez environ le tiers de la passe précédente.

REMARQUE : Si vous interrompez la pulvérisation pendant 30 minutes ou plus, vérifiez le jet sur des journaux ou du carton avant de recommencer. Si vous ne parvenez pas à régler adéquatement la forme du jet, il est possible que le produit ait commencé à sécher. Dans ce cas, nettoyez le pulvérisateur. Reportez-vous aux **DIRECTIVES DE NETTOYAGE**.

REMARQUE : Si le jet est toujours inadéquat, il peut être nécessaire de nettoyer complètement le bus et le tube plongeur. Pour maintenir un jet adéquat, prévoyez de nettoyer l'appareil après l'application de 20 à 30 litres de produit. Après le nettoyage, remontez les pièces.

BUSE À JET D'AIR

La buse à jet d'air convient pour épousseter les claviers d'ordinateur, dissipateurs de chaleur, filtres ou nids d'abeille des climatiseurs et toutes sortes d'instruments de précision. (Reportez-vous à l'illustration F.) Elle n'est PAS conçue pour pulvériser des liquides.



NETTOYAGE ET ENTRETIEN

ÉTAPE 1 : DIRECTIVES DE NETTOYAGE

REMARQUE : Il est essentiel de nettoyer correctement votre pulvérisateur pour le maintenir dans son état optimal. L'omission de nettoyer adéquatement le pistolet à peinture endommagera l'appareil. Si votre pulvérisateur n'est pas correctement nettoyé, il sera endommagé. Prenez le temps de le nettoyer immédiatement après l'utilisation. Sa durée de vie sera prolongée et il fonctionnera correctement. Si vous avez terminé vos travaux de peinture ou si vous ne prévoyez pas de réutiliser le pulvérisateur ce jour-là, vous devez suivre les directives de nettoyage ci-dessous. Ne rangez jamais le pulvérisateur plus de 30 minutes sans le nettoyer.

1. Débranchez le pulvérisateur de la prise de courant et appuyez sur la gâchette afin que le produit à l'intérieur du pistolet puisse revenir dans le contenant.
2. Videz tout produit (teinture ou peinture) se trouvant dans le contenant.
3. Remplissez le réservoir environ à moitié avec la solution nettoyante appropriée. Pour les produits au latex, utilisez de l'eau savonneuse tiède; pour les produits à base d'huile, utilisez la solution recommandée par le fabricant du produit.
4. Branchez le pulvérisateur sur une prise électrique.
5. Appuyez sur la gâchette du pulvérisateur jusqu'à ce que la solution nettoyante traverse la buse pendant quelques secondes. (Reportez-vous à l'illustration A.)
6. Retirez le contenant et jetez la solution nettoyante.
7. Débranchez le pulvérisateur de la prise électrique.

ÉTAPE 2 : DIRECTIVES DE NETTOYAGE DE LA BUSE DE PULVÉRISATION

À l'aide de la brosse (incluse), réalisez les étapes suivantes.

1. Débranchez le pulvérisateur de la prise de courant et appuyez sur la gâchette afin que le produit à l'intérieur du pistolet puisse revenir dans le contenant.
2. Dévissez le réservoir et jetez la solution nettoyante.
3. Enlevez le tube plongeur du pulvérisateur et nettoyez-le dans de l'eau tiède savonneuse.* (Reportez-vous à l'illustration C.)
4. Dévissez l'anneau de capuchon d'air, enlevez le capuchon de pulvérisation à ailettes et le séparateur interne. Nettoyez les trois pièces dans de l'eau tiède savonneuse.* (Reportez-vous à l'illustration D.)
5. Nettoyez la rondelle d'étanchéité entre le réservoir et le boîtier avec de l'eau chaude savonneuse*.
6. Nettoyez le support de buse à peinture en laiton et de l'unité avec de l'eau chaude et savonneuse.* Retirez la buse de laiton en dévissant et nettoyez autour de l'aiguille en laiton avec la brosse fournie (reportez-vous à l'illustration D).
7. Enlevez la garde d'éclaboussure de mousse. Propres trous de chaque côté du tube plongeur avec la pointe de la brosse fournie. (reportez-vous à l'illustration E).
8. Laissez les pièces sécher complètement et remontez l'appareil.
9. Rangez l'appareil.

*Si vous avez utilisé des produits à base d'huile, nettoyez ces pièces avec le solvant recommandé par le fabricant (probablement de l'essence minérale).

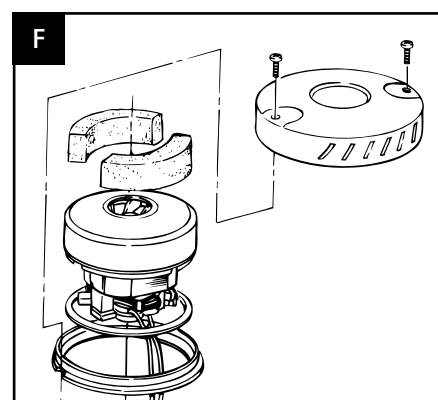
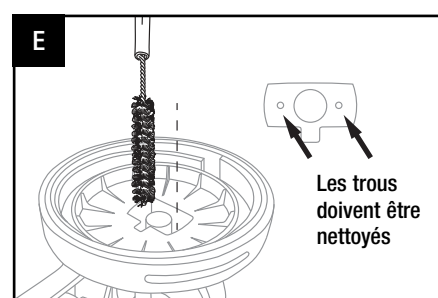
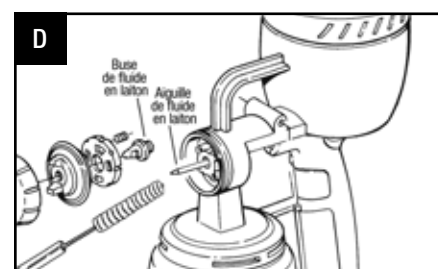
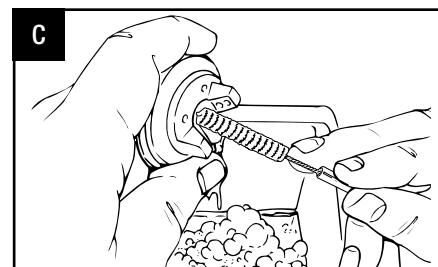
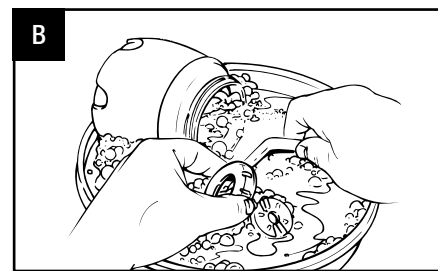
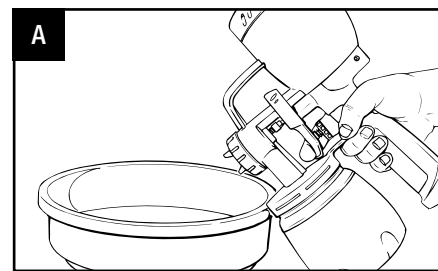
ENTRETIEN

Inspectez périodiquement les filtres à air. S'ils sont trop sales, faites comme suit pour les enlever et les remplacer : (Reportez-vous à l'illustration F.)

1. Tout en maintenant le pulvérisateur à l'endroit en tout temps, enlevez les deux vis du couvercle du moteur et ouvrez le couvercle.
2. Remplacez les filtres (Réf C800982) et reposez le couvercle.

RÉPARATION D'UN PRODUIT À DOUBLE ISOLATION

Un produit à double isolation comporte deux système d'isolation au lieu d'un fil de terre. Il ne comporte aucune mise à la terre et il ne faut pas lui en ajouter une. La réparation d'un produit à double isolation exige un très grand soin et une excellente connaissance de ce système et ne doit être confiée qu'à un personnel qualifié. Les pièces de rechange d'un produit à double isolation doivent être identiques aux pièces originales.



DÉPANNAGE

PROBLÈME	CAUSE	SOLUTION
Coulures	<p>A. Trop de peinture.</p> <p>B. Le mouvement du pistolet est trop lent.</p> <p>C. La peinture est trop diluée.</p> <p>D. Pistolet maintenu à un angle incorrect ou trop près de la surface.</p> <p>E. Chevauchement trop large à chaque passe.</p>	<p>A. Tournez le bouton de réglage du volume dans le sens antihoraire.</p> <p>B. Déplacez le pistolet plus rapidement.</p> <p>C. Ajoutez de la peinture non diluée pour obtenir le temps d'écoulement adéquat avec le gobelet à viscosité.</p> <p>D. Maintenez le pistolet perpendiculaire à la surface à une distance de 25 à 30 cm.</p> <p>E. Chevauchez environ le tiers de la passe précédente.</p>
Pulvérisation sèche	<p>A. Quantité insuffisante de peinture sortant du pistolet.</p> <p>B. Le pistolet est trop loin de la surface.</p> <p>C. Chevauchement de la passe précédente quand le pistolet n'est pas perpendiculaire à la surface.</p> <p>D. Pulvérisation se chevauchant incorrectement.</p>	<p>A. Tournez le bouton de réglage du volume dans le sens horaire.</p> <p>B. Maintenez le pistolet à une distance de 25 à 30 cm ou plus près pour les petits objets.</p> <p>C. Maintenez le pistolet perpendiculaire à la surface.</p> <p>D. Chevauchez environ le tiers de la passe précédente.</p>
Couverture inégale ou rayée	<p>A. Pistolet penché ou non perpendiculaire à la surface.</p> <p>B. Saleté ou bavure sur le capuchon d'air ou la buse causant un jet excessif en haut et en bas</p> <p>C. Pulvérisation se chevauchant incorrectement.</p>	<p>A. Maintenez le pistolet perpendiculaire à la surface.</p> <p>B. Nettoyez ou remplacez le capuchon d'air ou la buse.</p> <p>C. Chevauchez environ le tiers de la passe précédente.</p>
Crachats ou grumeaux	<p>A. Particules solides dans la peinture</p> <p>B. Tube plongeur lâche.</p>	<p>A. Tamisez la peinture.</p> <p>B. Assurez-vous que le tube plongeur est bien inséré.</p>
Jet faible ou aucun jet	<p>A. Aspiration insuffisante de la peinture du réservoir en raison d'un évent obstrué sur le boîtier du pistolet. (Illustration E, page 19)</p> <p>B. Peinture trop épaisse.</p> <p>C. Rondelle du couvercle manquante ou sale</p>	<p>A. Nettoyez les événements (orifices de 3 mm dans le couvercle du réservoir).</p> <p>B. Ajoutez la quantité de solvant appropriée à la peinture. N'ajoutez qu'une petite quantité de solvant à la fois.</p> <p>C. Remplacez ou nettoyez la rondelle du couvercle</p>
Jet excessif en haut ou en bas, ou à gauche ou à droite	<p>A. Trous de capuchons d'air partiellement bloqués.</p> <p>B. Obstruction de la buse ou saleté sur le siège du capuchon d'air ou de la buse.</p>	<p>A. Déterminez si l'obstruction se trouve sur le capuchon d'air ou la buse en effectuant un essai de pulvérisation, puis un deuxième essai après avoir tourné le capuchon d'air d'un demi-tour. Si le défaut est inversé, c'est le capuchon d'air qui est obstrué.</p> <p>B. Nettoyez le capuchon d'air avec un instrument non métallique. Si c'est la buse qui est obstruée, elle est peut-être ébarbée. Utilisez du papier d'éméri 600 à sec ou à l'eau pour éliminer les ébarbures. Si de la peinture a séché à l'intérieur, ouvrez et lavez.</p>
Pulvérisation irrégulière	<p>A. Manque de peinture.</p> <p>B. Passages de peinture obstrués.</p> <p>C. Buse ou aiguille endommagés.</p>	<p>A. Remplissez le contenant.</p> <p>B. Nettoyez.</p> <p>C. Nettoyez l'aiguille ou remplacez-la, s'il y a lieu.</p>
Peinture fuyant de l'écrou guide	<p>A. Écrou guide desserré.</p> <p>B. Rondelle guide usée.</p>	<p>A. Serrez l'écrou guide.</p> <p>B. Remplacez la rondelle guide.</p>
Peinture fuyant de l'avant du pistolet.	<p>Aiguille incorrectement appuyée parce que :</p> <p>A. La buse est usée ou endommagée.</p> <p>B. Saleté ou peinture séchée dans la buse.</p> <p>C. Le rondelle de l'écrou mâle est trop serrée et empêche l'aiguille de s'appuyer correctement.</p> <p>D. Ressort cassé.</p> <p>E. Aiguille rayée ou endommagée.</p>	<p>A. Remplacez la buse.</p> <p>B. Nettoyez la buse.</p> <p>C. Desserrez la rondelle de l'écrou mâle.</p> <p>D. Remplacez le ressort.</p> <p>E. Remplacez l'aiguille.</p>



ACABADO FINO PULVERIZADOR FINISH MAX®

ADVERTENCIA PARA DISMINUIR LOS RIESGOS DE LESIONES,
EL USUARIO DEBE LEER Y ENTENDER EL MANUAL DE
INSTRUCCIONES.

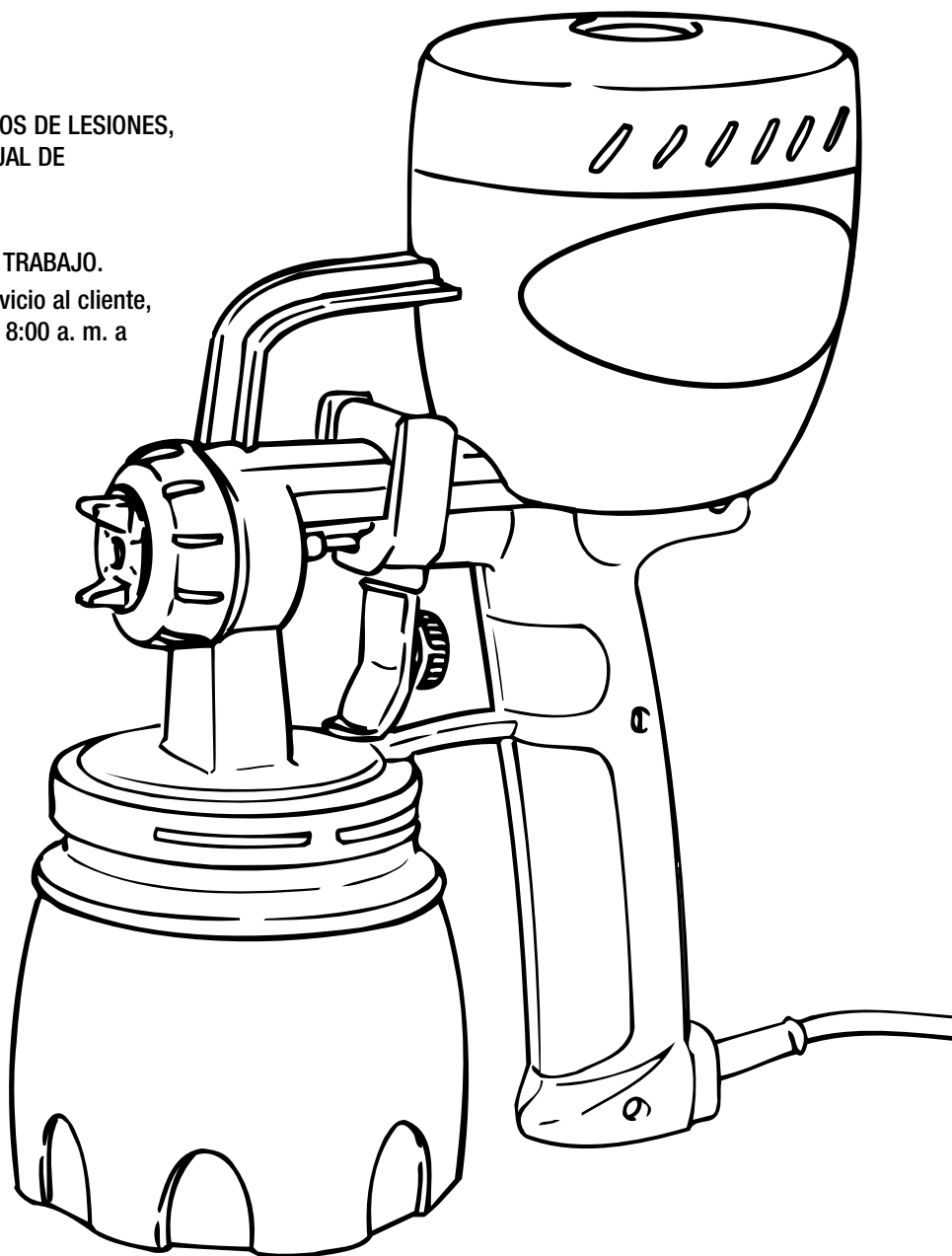
SÓLO PARA USO DOMÉSTICO.

MANTENGA A LOS NIÑOS LEJOS DEL ÁREA DE TRABAJO.

Para comunicarse con el departamento de servicio al cliente,
llame al: 1-800-264-5442 ó 763-780-5115, de 8:00 a. m. a
5:00 p. m.

(hora del Centro de EE.UU.).

Hecho en Taiwán



**Regístrese en línea hoy
Para activar su garantía de dos años**

Vaya en línea en www.homeright.com o explore el código de QR a la izquierda. Vea detrás la paginación para los detalles de la garantía.

ÍNDICE

MEDIDAS DE PROTECCIÓN IMPORTANTES	22
△ Advertencias.....	23
Advertencia de la Prop. 65.....	23
Peligro: Explosión o incendio.....	23
Peligro: Vapores peligrosos.....	23
Cables de extensión.....	23
Almacenamiento.....	23
GUÍA DE REFERENCIA RÁPIDA	24
MODO DE EMPLEO	25
Practique primero.....	25
Preparación de la superficie.....	25
Materiales diluyentes.....	26
Ajuste del patrón de rociado.....	27
Instrucciones de rociado.....	27
Boquilla de aire.....	27
LIMPIEZA Y MANTENIMIENTO	28
Paso 1: Instrucciones de limpieza.....	28
Paso 2: Instrucciones de limpieza de la boquilla de rociado.....	28
Mantenimiento.....	28
RESOLUCIÓN DE PROBLEMAS	29
LISTA DE PIEZAS	30-31
GARANTÍA LIMITADA DE DOS AÑOS	32

MEDIDAS DE PROTECCIÓN IMPORTANTES

HomeRight no será responsable por las pérdidas o daños resultantes del uso de este producto de formas no indicadas específicamente en este manual. El usuario asume todos los riesgos asociados con dicho uso no específico.

Antes de utilizar este producto, el usuario debe evaluarlo y determinar si resulta apto para la aplicación prevista. El usuario asume todos los riesgos y responsabilidades asociados con dicho uso.

LEA Y CUMPLA CON TODOS LOS RESGUARDOS.

Al igual que otras herramientas eléctricas, el Finish Max Sprayer es seguro cuando se lo utiliza correctamente, pero puede resultar peligroso si su uso es inapropiado. Es responsabilidad del usuario leer y comprender todas las instrucciones, los RESGUARDOS IMPORTANTES y las precauciones de seguridad antes de operar la unidad y, asimismo, para utilizarla de forma adecuada. El no hacerlo puede dar lugar a lesiones personales o pérdida de la vida y daños materiales.

No intente reparar (ni desarmar) la unidad usted mismo. Las reparaciones debe realizarlas un taller habilitado que conozca esta unidad o debe devolverse a HomeRight®. Consulte la garantía. Esta unidad debe emplearse únicamente con piezas autorizadas. Cuando utilice piezas que no cumplan con las especificaciones del fabricante y los dispositivos de seguridad, el usuario asume todos los riesgos y responsabilidades.

MEDIDAS DE PROTECCIÓN IMPORTANTES

LEA Y OBSERVE TODAS LAS MEDIDAS DE PROTECCIÓN.

Al igual que otras herramientas eléctricas, los rociadores sin aire son seguros cuando se usan de manera adecuada, pero en caso contrario pueden ser peligrosos. El usuario es responsable de leer y entender todas las instrucciones, las MEDIDAS DE PROTECCIÓN IMPORTANTES y las precauciones de seguridad antes de poner la unidad en funcionamiento, y, además, de utilizarla correctamente. De no hacerse así, se podrían ocasionar lesiones o pérdida de la vida y daños al producto.

No trate de reparar ni de desarmar esta herramienta. Cualquier reparación deberá estar a cargo de un taller calificado cuyo personal esté familiarizado con esta unidad, o se deberá enviar la unidad a HomeRight® (consulte la garantía). Esta unidad debe utilizarse únicamente con las piezas autorizadas. Si se utiliza con piezas que no cumplan con las especificaciones y los dispositivos de seguridad del fabricante, el usuario asumirá todos los riesgos y las responsabilidades.

⚠️ ADVERTENCIAS

- NO apunte nunca el rociador hacia usted ni hacia nadie más; en caso de sufrir alguna lesión, consulte con un médico de inmediato.
- NO cubra la boquilla con ninguna parte de su cuerpo, puesto que el chorro de alta velocidad podría ocasionarle lesiones.
- NO deje el vaporizador sucio ni permita que la pintura se seque dentro de él. Un rociador sucio no funcionará la próxima vez que trate de utilizarse y podría dar lugar a la anulación de la garantía.
- NO aplique el rociador a materiales texturizados que contengan fibras de asbesto.
- NO aplique el rociador a materiales texturizados que contengan partículas o fibras tales como pinturas metálicas o pinturas retardadoras de llamas.
- NO rocíe líquidos inflamables.
- NO use la pistola al aire libre cuando esté lloviendo.
- NO use el rociador en espacios que estén debajo del piso del garaje o debajo del nivel del suelo.
- NO desarme la pistola sin antes leer las instrucciones.
- NO permita que el chorro de líquido rociado entre en contacto con ninguna parte del cuerpo.
- ENCHUFE el cable o extensión eléctrica únicamente a un circuito de alimentación con conexión a tierra.
- Mantenga el rociador lejos del alcance de los niños.
- SIEMPRE coloque la pistola en posición vertical (no la invierta ni la deje acostada) para evitar la entrada de líquido en el cableado interno, lo cual podría ocasionar descargas eléctricas.
- Tenga SIEMPRE puesta una máscara, lentes protectores, protectores de oídos y de ojos mientras trabaje con el rociador.
- Al dejar de rociar, SIEMPRE desenchufe el cable para evitar rociados accidentales.
- NUNCA sumerja la pistola en agua u otros líquidos, porque podrían producirse descargas eléctricas.
- NUNCA deje la pistola desatendida.
- NUNCA deje la pistola enchufada mientras la limpia.

REPARACIÓN DE LOS PRODUCTOS CON AISLAMIENTO DOBLE

Un producto con aislamiento doble está diseñado con dos sistemas de aislamiento en vez de una conexión a tierra; no tiene medios de conexión a tierra ni tampoco se le debe agregar tierra alguna. La reparación de un producto con aislamiento doble requiere extremo cuidado y conocimiento del sistema, y debe ser realizada exclusivamente por técnicos de servicio debidamente capacitados. Las piezas de repuesto de un producto con aislamiento doble deben ser idénticas a las piezas originales del producto.

⚠️ PRECAUCIÓN

1. PELIGRO: Las emanaciones de solventes y pinturas pueden dar lugar a explosiones o incendios que pueden causar daños a la propiedad y lesiones graves. Evite toda fuente de ignición baja, como chispas de electricidad estática y llamas abiertas.
2. PELIGRO: La inhalación de pinturas, solventes, insecticidas y otros materiales puede ser peligrosa y causar náuseas intensas, desmayo o envenenamiento.
3. PELIGRO: No sostenga el cable por el enchufe para mantenerlo conectado. Si lo hace, podría sufrir descargas eléctricas.

ADVERTENCIA DE LA PROP. 65

La manipulación de los cables eléctricos revestidos de este producto puede causar exposición al plomo, que es un elemento químico conocido en el estado de California como causante de defectos de nacimiento u otros daños al aparato reproductor. Lávese las manos después de manipularlos.

PELIGRO: EXPLOSIÓN O INCENDIO

Las emanaciones de pinturas, tintes y solventes pueden explotar o incendiarse, con consecuentes daños a la propiedad o lesiones graves.

- Mantenga bien ventilada la zona. Disponga de mecanismos de extracción de aire e introducción de aire fresco para impedir la acumulación de emanaciones en el área de trabajo.
- No rocíe en áreas donde haya fuentes de ignición, electricidad estática, chispas, llamas de encendido, calefactores, objetos calientes, cigarrillos o llamas abiertas.
- Tenga a la mano equipos extintores de incendio que estén en buenas condiciones de funcionamiento.
- Siga las instrucciones de seguridad y MEDIDAS DE PROTECCIÓN IMPORTANTES especificadas por los fabricantes del material.

PELIGRO: VAPORES PELIGROSOS

La inhalación de pinturas, tintes, solventes, insecticidas, barnices y otros materiales puede ser peligrosa y causar náuseas intensas, desmayo o envenenamiento.

- Póngase una máscara o careta respiratoria al rociar, cuando haya posibilidades de inhalar vapores.
- Póngase lentes protectores.

CABLES DE EXTENSIÓN

Cerciórese de que la extensión que vaya a utilizar esté en buenas condiciones y que tenga la certificación UL/ETL/CSA. Asegúrese de que la extensión tenga capacidad suficiente para la corriente: para longitudes menores de 5,5 m (18 pies) utilice un cable n.º 18 AWG o de mayor calibre; para longitudes mayores, utilice un cable de calibre n.º 16 AWG. En caso de dudas, utilice uno de mayor calibre. Un cable de menor calibre que el necesario ocasionará caídas en el voltaje de línea que producirán sobrecalentamiento y pérdida de potencia.

ALMACENAMIENTO

Asegúrese de que la unidad esté limpia y seca antes de guardarla. Guárdela en un lugar seco. Para evitar daños al cable eléctrico, no lo tuerza al guardarlo.

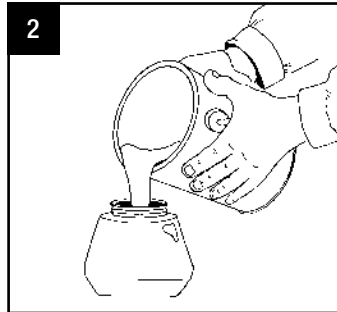
GUÍA DE REFERENCIA RÁPIDA

La presente es sólo una guía de referencia rápida.
Lea completamente todo el manual de instrucciones antes de utilizar el producto.

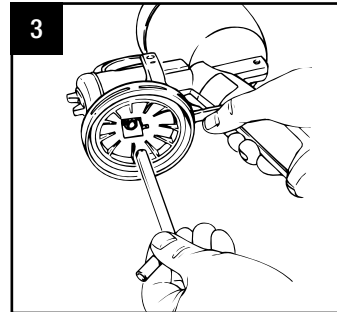
Instrucciones de rociado



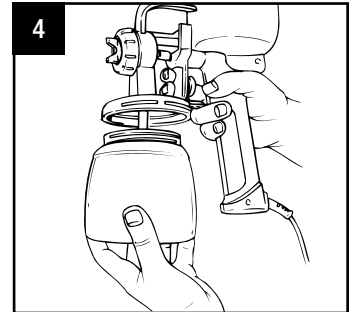
1. Lea todas las advertencias e instrucciones de seguridad en el manual del propietario antes de utilizar este producto.



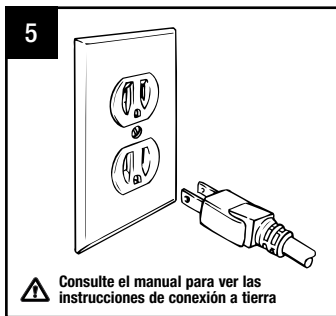
2. Diluya el material tanto como sea necesario (pág. 27). Saque el envase y llénelo con el material. Si el material no es nuevo, cuélelo con un filtro.



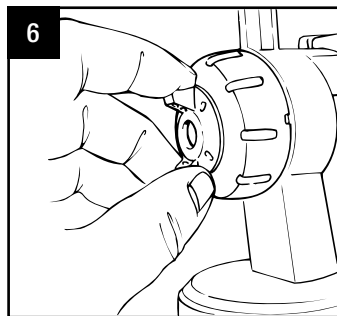
3. Inserte el tubo colector en la cubierta del cilindro. Para determinar la orientación del tubo colector, consulte la fig. B de la pág. 26.



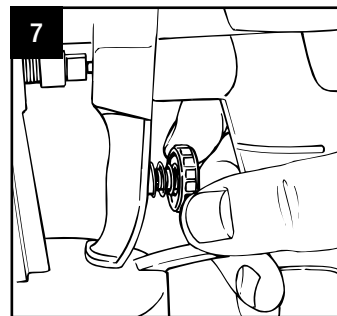
4. Conecte el envase al rociador.



5. Enchufe el rociador en el tomacorriente.



6. Ajuste el patrón de rociado: horizontal, vertical o cónico (pág. 18).

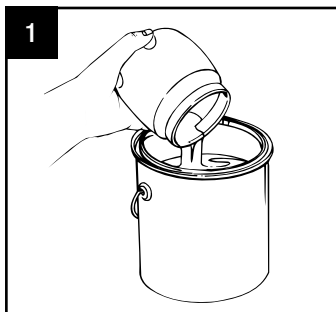


7. Ponga el flujo en el ajuste máximo girando la perilla de control totalmente hacia la derecha.

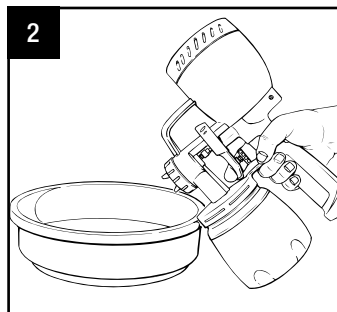


8. Rocíe la superficie manteniendo el rociador horizontal. Haga un movimiento de barrido y empalme.

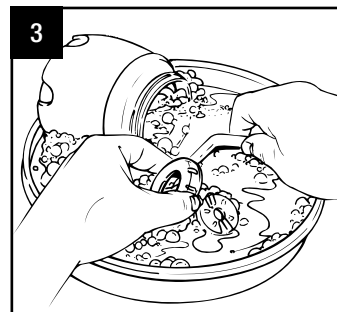
Instrucciones de limpieza



1. Desconecte el rociador, retire el recipiente y vacíe el contenido.



2. Cargue el pulverizador con la solución de limpieza, conecte el pulverizador y presione el gatillo hasta que la solución salga de la boquilla. No lo sumerja en líquido.



3. Desmonte las piezas. Límpielas y séquelas completamente siguiendo las instrucciones de limpieza, paso 2 (pág. 29).

MODO DE EMPLEO

PRACTIQUE PRIMERO

Practique rociando agua sobre un periódico o cartón; esto le ayudará a acostumbrarse al uso del rociador y de todas sus funciones. Eso le ayudará a acostumbrarse al uso de la pistola y familiarizarse con todas sus funciones. Siga las instrucciones para hacer los ajustes apropiados del patrón de rociado.

1. Compruebe que la boquilla de rociado esté bien atornillada y apretada. Familiarícese con la tapa de rociado: gírele las aletas para obtener un patrón de rociado horizontal, vertical o cónico (fig. A).
2. Gire el recipiente hacia la izquierda para sacarlo de la pistola rociadora.
3. Inserte el tubo colector con firmeza (fig. B). Si va a rociar principalmente hacia abajo, ponga el ángulo del tubo colector apuntando hacia adelante; si va a rociar principalmente hacia arriba, voltéelo hacia atrás. La colocación del tubo puede ajustarse o cambiarse en cualquier momento durante la labor.
4. Llene el recipiente con agua y vuelva a fijarlo.
5. Enchufe el rociador.
6. Accione el gatillo y espere unos cuantos segundos hasta que la unidad comience a rociar agua.
7. Gire la perilla de control totalmente hacia la derecha para obtener el flujo máximo. Luego gírela hacia la izquierda; note los cambios en la anchura e intensidad del patrón de rociado. Ajuste la perilla hasta obtener un buen patrón de rociado (fig. C).

NOTA: La mejor distancia para sostener la pistola es de 10-25 cm (4-10 pulg.) (fig. D) de la superficie que se va a rociar. Rociar desde muy lejos puede ocasionar un rociado excesivo (y gasto innecesario de líquido), y hacerlo desde muy cerca puede ocasionar una acumulación excesiva, o derrames.

8. Mantenga rígida la mano. No curve la muñeca al comienzo ni al final de la pasada (fig. E). No detenga el movimiento de la unidad mientras esté rociando. El recorrido de la pistola debe sobrepasar el área que se esté rociando. Se debe encender y apagar el interruptor a medida que la pistola entre y salga del área de rociado (fig. F).

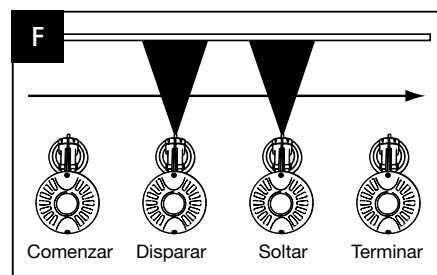
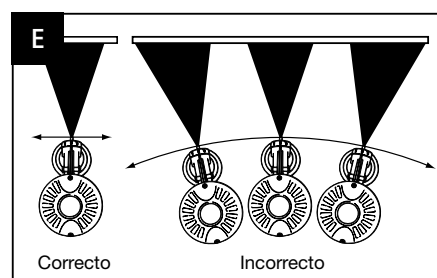
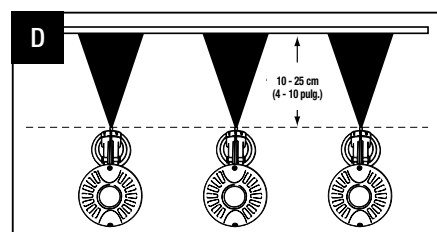
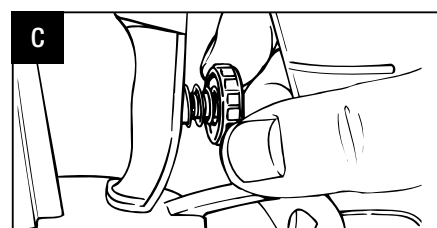
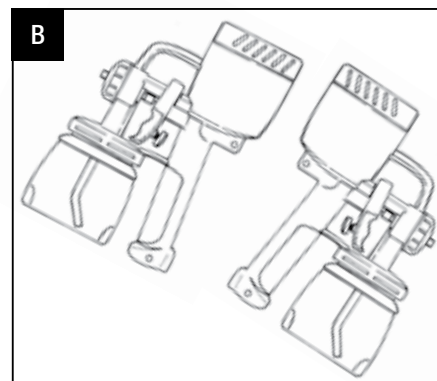
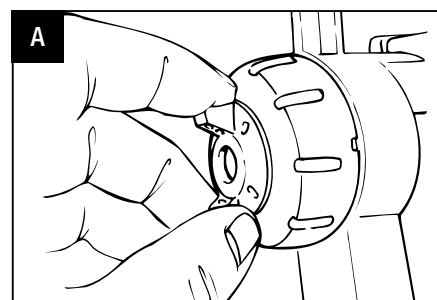
NOTA: Si detiene el movimiento del rociador o cambia a un nuevo patrón de rociado mientras esté rociando, ocasionará una acumulación excesiva del rociado en los bordes de la trayectoria.

PREPARACIÓN DE LA SUPERFICIE

Antes de comenzar, limpie muy bien todos los objetos y superficies que se vayan a rociar. Se recomienda cubrir o poner cinta de pintor en las zonas que no se quieran pintar.

PROYECTOS PEQUEÑOS

Este pulverizador usa flujo de aire para transferir líquido a la pieza de trabajo. Se recomienda que para los proyectos pequeños, el usuario primero pruebe el pulverizador sin agregar líquido a la taza. El flujo de aire puede provocar que las piezas pequeñas se muevan o se caigan durante el funcionamiento. Sea precavido y utilice el buen criterio antes de pulverizar líquido.



MODO DE EMPLEO (CONT.)

MATERIALES DILUYENTES

Para que su rociador funcione adecuadamente, es importante asegurarse de que el tinte o pintura estén lo suficientemente diluidos como para poder rociarse. La dilución debe hacerse siguiendo las especificaciones del fabricante del tinte o pintura. Debido a que los materiales varían según la marca, esta guía debe sólo usarse como una información general. Un tinte o pintura con dilución correcta producirá el patrón de rociado apropiado que se muestra en la fig. A. Sin importar la dilución requerida, observe siempre el índice de cubrimiento recomendado por el fabricante. Dado que hay variaciones en la viscosidad de tintes y pinturas de diferentes marcas, puede que sea necesario hacer una dilución del 5 al 15 por ciento para lograr el patrón de rociado óptimo.

Con la taza de viscosidad (incluida) y fijándose en la tabla siguiente, determine si es necesario diluir el material que se va a utilizar:

1. Sumerja completamente la taza de viscosidad en el líquido que se va a rociar.
2. Levante la taza de viscosidad del líquido, y mientras sostiene la taza sobre la lata de pintura o colorante, calcule cuánto tarda el líquido en drenar hacia afuera de la taza. A esto se le conoce como **tiempo de vaciado** del líquido. Si el líquido tarda más tiempo en salir de la taza de viscosidad que el indicado en la tabla, dilúyalo hasta que el tiempo esté dentro de los tiempos mostrados para el líquido que se esté usando.
3. Al finalizar este proceso, limpie la taza de viscosidad con agua tibia jabonosa si el producto es a base de agua, o siga las instrucciones del fabricante si el producto es a base de aceite.

NOTAS:

- Asegúrese de que el tubo colector esté firmemente introducido en la toma.
- Diluya el material según el procedimiento descrito anteriormente.
- Antes de cada uso, revise la boquilla de líquido de latón y la aguja de líquido de latón para comprobar que no tengan residuos de pintura seca. Mantenga limpia la aguja de líquido de latón.
- Después de cada uso, limpie siempre muy bien la pistola (consulte el apartado LIMPIEZA Y MANTENIMIENTO en la pág. 28).
- Gire la perilla de control hacia la izquierda para reducir el flujo (para mayor información, consulte el paso 7 en la pág. 26)
- Los tintes o pinturas viejos deben colarse antes de utilizarlos.
- Revuelva lentamente el tinte o pintura. Para evitar la formación de burbujas de aire, no agite el tinte o pintura.

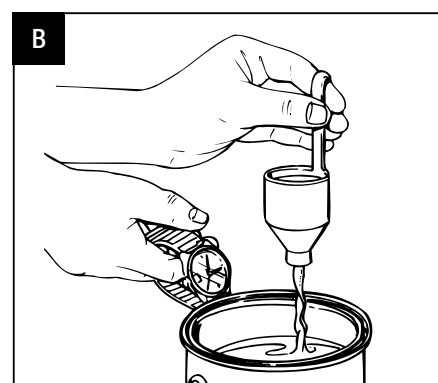
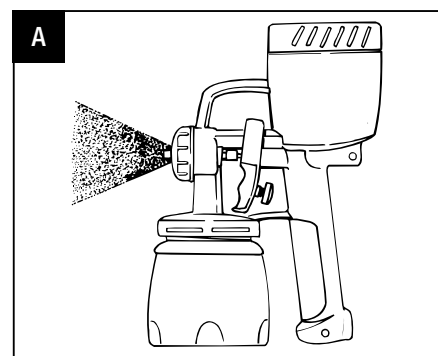


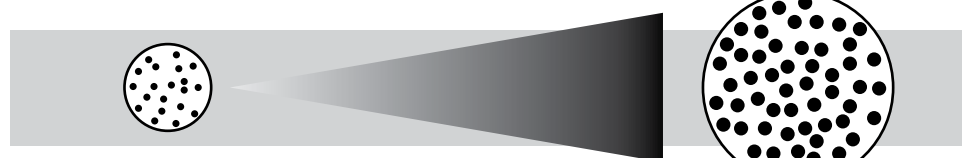
TABLA DE DRENAJE Y DE DILUCIÓN

Material (a base de aceite o agua)	Temps d'écoulement (secondes)
Sellador transparente	No se requiere dilución
Esmalte	25 a 40
Poliuretano	No se requiere dilución
Imprimador	30 a 45
Tinte	No se requiere dilución
Barniz	20 a 50
Pintura de látex	25 a 40

GUÍA DE DILUCIÓN

Menor dilución (5 a 6 %)

Mayor dilución (hasta un 20 %)



Patrón de rociado más fino
Menor volumen de salida

Patrón de rociado fino
Mayor volumen de salida

MODO DE EMPLEO (CONT.)

AJUSTE DEL PATRÓN DE ROCIADO

Al girar las aletas de la boquilla, la pistola Finish Max HVLP rocía en uno de los tres patrones siguientes: horizontal, vertical o cónico (fig. D). NO accione el gatillo mientras gire la punta; tenga cuidado de no rociar hacia usted, porque podría lesionarse (figs. C y D).

INSTRUCCIONES DE ROCIADO

Precaución: No tuerza el cable eléctrico ni le coloque encima objetos pesados. Mantenga el cable eléctrico alejado del calor y de objetos filosos. Para evitar tropezones y caídas, cerciórese de no poner el cable en una zona de mucho tráfico. No use el cable si está dañado. Póngase dispositivos de protección para la respiración y los ojos, además de guantes y ropa apropiados.

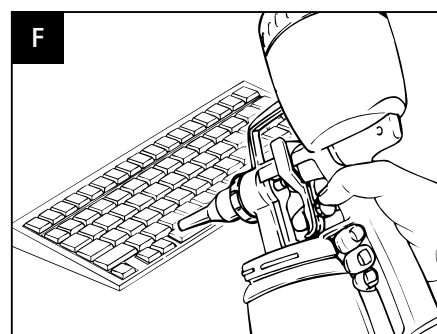
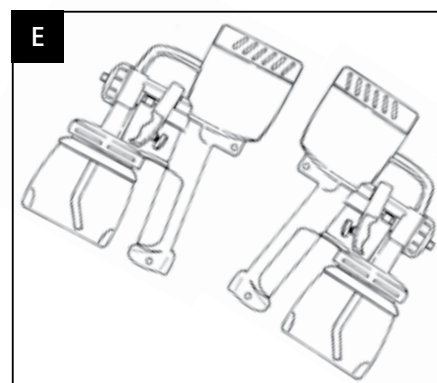
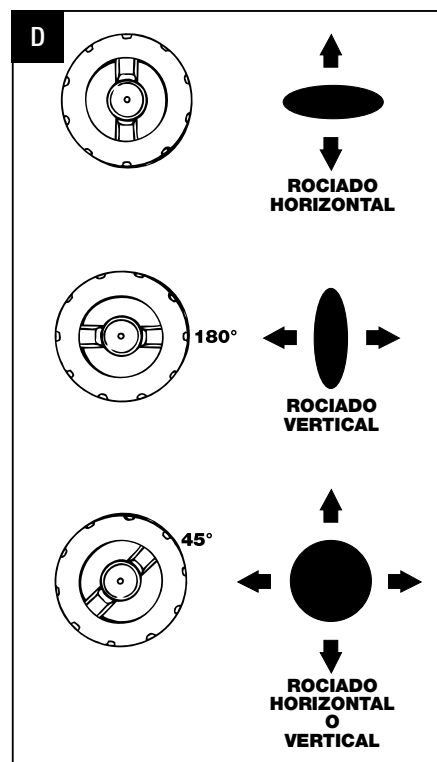
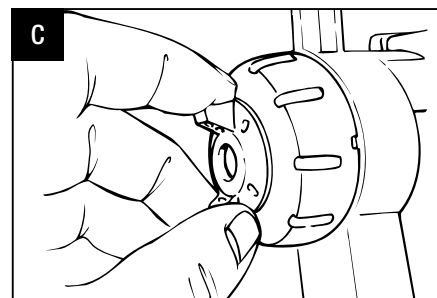
1. Asegúrese de que el recipiente esté vacío y seco.
2. Vierta pintura o tinte en el recipiente.
3. Asegúrese de que el tubo colector esté bien ajustado en la toma y que el ángulo del tubo esté colocado en la posición deseada (fig. E).
4. Gire el recipiente hacia la derecha para fijarlo en el recipiente.
5. Consulte nuevamente el apartado "Practique primero" de la pág. 26 y repita este procedimiento; esta vez ajustará el flujo, no con el agua que usó para practicar sino con el material que está ahora en el recipiente. Si luego de hacer ajustes sigue sin obtener el patrón de rociado deseado, consulte el apartado RESOLUCIÓN DE PROBLEMAS (pág. 30).
6. Sostenga la pistola a 10-25 cm (4-10 pulg.) de la superficie que se vaya a pintar. Si bien el tubo colector en ángulo le permitirá rociar en dirección hacia arriba o hacia abajo, trate de inclinar la pistola lo menos posible. No la incline más de 45 grados al apagar el motor.
7. Sobreponga cada pasada aproximadamente 1/3 del ancho del patrón de rociado.

NOTA: Si deja de rociar por tiempos de 30 minutos o más, antes de continuar vuelva a probar el patrón de rociado en un periódico o cartón. Si no puede ajustar adecuadamente el patrón de rociado, posiblemente se deba a que el tinte o pintura haya comenzado a secarse. En ese caso, limpie el rociador. Consulte el apartado INSTRUCCIONES DE LIMPIEZA.

NOTA: Si todavía no ha podido lograr un buen patrón de rociado, quizás sea necesario limpiar a fondo la boquilla de rociado y el tubo colector. Para que la unidad siga rociando bien, se recomienda limpiarla después de rociar entre 20 y 35 litros (5 y 9 galones) de pintura o tinte. Al finalizar la limpieza, vuelva a armar el producto.

BOQUILLA DE AIRE

La boquilla de aire es un dispositivo de soplado limpiador que se utiliza para limpiar el polvo de sumideros térmicos de computadoras, teclados, mallas de filtros de aparatos de aire acondicionado y todas clases de instrumentos de precisión (fig. F). Sin embargo, NO es apropiada para rociar líquidos.

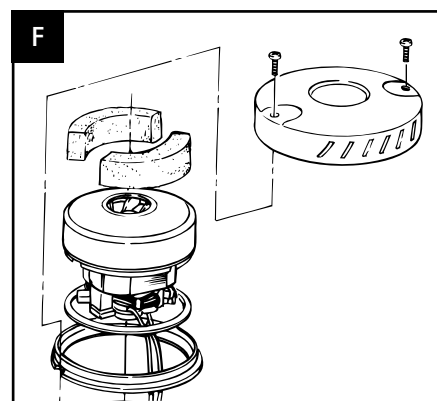
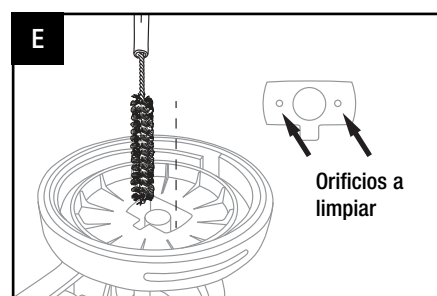
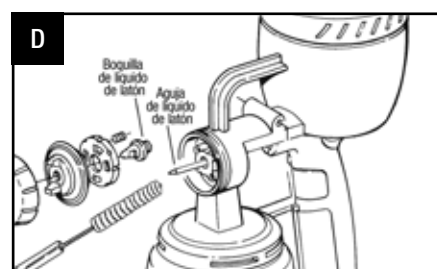
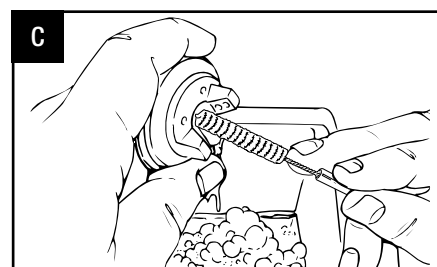
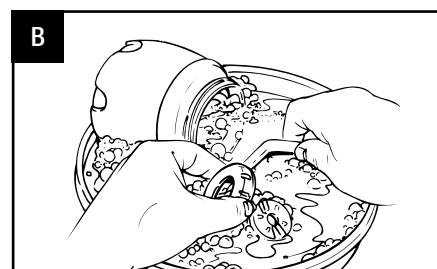
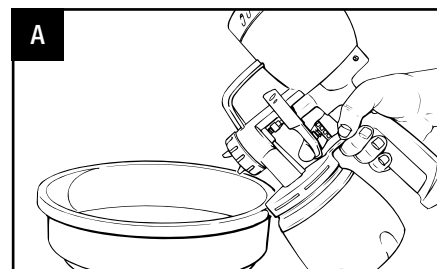


LIMPIEZA Y MANTENIMIENTO

PASO 1: INSTRUCCIONES DE LIMPIEZA

NOTA: La limpieza apropiada es esencial para mantener su rociador en condiciones de trabajo óptimas. Si no limpia adecuadamente el rociador de pintura, se dañará la unidad. La unidad sufrirá daños si no se limpia correctamente. Limpiar a fondo el rociador inmediatamente después de utilizarlo ayudará a prolongar su vida útil y buen funcionamiento. Al finalizar el proyecto, o si no se va a utilizar el rociador ese mismo día, es imprescindible limpiarlo correctamente siguiendo las instrucciones. No guarde nunca el rociador por más de 30 minutos sin haberlo limpiado.

1. Desconecte el rociador del tomacorriente y accione el gatillo de la pistola rociadora para que el material que esté adentro regrese al recipiente.
2. Vacíe el envase de todo resto de material (tinte o pintura).
3. Llene el envase aproximadamente hasta la mitad con una solución limpiadora apropiada: para pinturas de látex, utilice agua tibia con jabón; para pinturas a base de aceite, utilice una solución limpiadora recomendada por el fabricante del material.
4. Enchufe el rociador en un tomacorriente.
5. Presione el interruptor del rociador hasta que pase la solución limpiadora a través de la boquilla de rociado durante unos cuantos segundos (fig. A).
6. Retire el envase y deseche la solución limpiadora en un sitio apropiado.
7. Desconecte el rociador del tomacorriente.



PASO 2: INSTRUCCIONES DE LIMPIEZA DE LA BOQUILLA DE ROCIADO

Realice los pasos siguientes con el cepillo (suministrado).

1. Desconecte el rociador del tomacorriente y accione el gatillo de la pistola rociadora para que el material que esté adentro regrese al recipiente.
2. Destornille el recipiente y elimine cualquier resto de solución limpiadora.
3. Saque el tubo colector del rociador y límpielo con agua tibia jabonosa* (fig. C).
4. Desatornille el anillo de válvula de aire, saque la tapa de rociado con aletas y el separador interior. Limpie los tres con agua tibia jabonosa* (fig. D).
5. Limpie el anillo sellador que está entre el recipiente y la cubierta con agua tibia jabonosa*.
6. Limpie la carcasa de la boquilla de bronce para líquido y la unidad con agua tibia jabonosa.* Retire dicha boquilla desatornillándola y limpie alrededor de la aguja de bronce con el cepillo proporcionado. (Consulte la Figura D).
7. Quite a protector del chapoteo de la espuma. Limpie orificios a cada lado del tubo de recolección con la punta de la escobilla suministrada. (Consulte la Figura E).
8. Deje que los componentes se sequen completamente y vuelva a armar la unidad.
9. Guarde la unidad.

*Si ha estado usando líquidos a base de aceite, limpie las piezas siguiendo las recomendaciones del fabricante del líquido (probablemente se recomienda utilizar aguarrás mineral).

MANTENIMIENTO

Se deben hacer inspecciones periódicas de los filtros de aire. En caso de que el filtro de aire esté demasiado sucio, observe los pasos siguientes para desmontarlo y cambiarlo: (fig. F).

1. Manteniendo la pistola apuntando hacia arriba en todo momento, saque dos tornillos de la tapa del motor y saque la tapa.
2. Cambie los filtros (n.º pieza: C800982) y vuelva a instalar la tapa.

REPARACIÓN DE LOS PRODUCTOS CON AISLAMIENTO DOBLE

Un producto con aislamiento doble está diseñado con dos sistemas de aislamiento en vez de una conexión a tierra; no tiene medios de conexión a tierra ni tampoco se le debe agregar tierra alguna. La reparación de un producto con aislamiento doble requiere extremo cuidado y conocimiento del sistema, y debe ser realizada exclusivamente por un personal de servicio debidamente capacitado. Las piezas de repuesto de un producto con aislamiento doble deben ser idénticas a las piezas originales del producto.

RESOLUCIÓN DE PROBLEMAS

PROBLEMA	CAUSA	ACCIÓN CORRECTIVA
Hundimientos o derrames	<p>A. Demasiada pintura.</p> <p>B. Movimiento excesivamente lento de la pistola.</p> <p>C. Pintura demasiado diluida.</p> <p>D. Posición de la pistola en un ángulo incorrecto o demasiado cerca de la superficie de pintura.</p> <p>E. Solapamiento excesivo del rociado.</p>	<p>A. Gire la perilla de control de la pintura hacia la izquierda.</p> <p>B. Mueva la pistola más rápido.</p> <p>C. Agregue pintura sin diluir para lograr el tiempo correcto con la prueba de la taza de viscosidad.</p> <p>D. Sostenga la pistola en ángulo recto a la superficie de pintura, a una distancia de 25-30 cm (10-12 pulg.).</p> <p>E. Sobreponga cada pasada aproximadamente 1/3 del ancho del patrón de rociado.</p>
Rociado seco	<p>A. Sale poca pintura por la pistola.</p> <p>B. La pistola está demasiado lejos de la superficie.</p> <p>C. Resulta del rociado excesivo de una sección anterior causado por no sostener la pistola en ángulo recto a la superficie de pintura.</p> <p>D. Solapamiento incorrecto de los patrones de rociado.</p>	<p>A. Gire la perilla de control de la pintura hacia la derecha.</p> <p>B. Sostenga la pistola a una distancia de 25-30 cm (10-12 pulg.), o más cerca para objetos pequeños.</p> <p>C. Sostenga la pistola en ángulo recto a la superficie de pintura.</p> <p>D. Sobreponga cada pasada aproximadamente 1/3 del ancho del patrón de rociado.</p>
Cubrimiento en rayas o desigual	<p>A. La pistola está inclinada o no se sostiene en ángulo recto con la superficie de pintura.</p> <p>B. La presencia de suciedad o virutas en la válvula de aire o en la boquilla de pintura produce patrones de pintura anchos en la parte superior o inferior</p> <p>C. Solapamiento incorrecto de los patrones de rociado.</p>	<p>A. Sostenga la pistola en ángulo recto a la superficie de pintura.</p> <p>B. Limpie o cambie válvula de aire o la boquilla de pintura.</p> <p>C. Sobreponga cada pasada aproximadamente 1/3 del ancho del patrón de rociado.</p>
La pintura sale a escupidazos o en grumos	<p>A. Presencia de partículas sólidas en la pintura.</p> <p>B. Tubo de pintura flojo.</p>	<p>A. Cuele la pintura.</p> <p>B. Compruebe que el tubo de pintura esté bien ajustado.</p>
Ningún o poco rociado	<p>A. Bajo volumen de pintura del recipiente debido a una obstrucción del paso del aire en el cuerpo de la pistola. (Figura E, página 29)</p> <p>B. Pintura no suficientemente diluida.</p> <p>C. Arandela de la tapa faltante/sucia.</p>	<p>A. Limpie la obstrucción (orificios de ventilación de 3 mm en la tapa del recipiente).</p> <p>B. Añada la cantidad apropiada de disolvente a la pintura. Añada sólo una pequeña cantidad de disolvente a la pintura a la vez.</p> <p>C. Cambie/limpie la arandela de la tapa.</p>
Patrones anchos en la parte superior o inferior o en los lados izquierdo o derecho	<p>A. Orificios de la válvula de aire parcialmente bloqueados.</p> <p>B. Obstrucción en la boquilla de pintura o suciedad en el asiento de la válvula de aire de la boquilla de pintura.</p>	<p>A. Determine si la obstrucción está en la válvula de aire o en la boquilla de pintura haciendo un patrón de prueba, girando la válvula de aire media vuelta, y rociando otro patrón de prueba. Si se invierte el defecto, significa que la obstrucción está en la válvula de aire.</p> <p>B. Limpie la válvula de aire con un instrumento no metálico. Si la obstrucción está en la boquilla de pintura, trate de ver si hay rebabas finas (se pueden lijar con papel de lija 600 húmedo o seco). Si hay pintura seca adentro, abra y lave la pieza.</p>
Rociado entrecortado	<p>A. Falta de pintura.</p> <p>B. Obstrucción en la vía de paso de la pintura.</p> <p>C. Daños en la boquilla de pintura o aguja.</p>	<p>A. Llene el recipiente.</p> <p>B. Limpie.</p> <p>C. Limpie el juego de aguja y cámbielo si es necesario.</p>
Escape de pintura por la tuerca guía	<p>A. Tuerca guía floja.</p> <p>B. Arandela guía desgastada.</p>	<p>A. Apriete la tuerca guía.</p> <p>B. Cambie la arandela guía.</p>
Escape de pintura por el frente de la pistola.	<p>La aguja no está bien asentada debido a una de las siguientes razones:</p> <p>A. Boquilla de la pintura gastada o dañada.</p> <p>B. Pintura sucia o seca en la boquilla.</p> <p>C. La arandela de empaquetadura está demasiado apretada, lo que evita el asentamiento de la aguja.</p> <p>D. Resorte roto.</p> <p>E. Aguja perforada o dañada.</p>	<p>A. Cambie la boquilla.</p> <p>B. Limpie la boquilla.</p> <p>C. Afloje la arandela de empaquetadura.</p> <p>D. Cambie el resorte.</p> <p>E. Cambie la aguja.</p>

PARTS LIST • LISTE DES PIÈCES • LISTA DE PIEZAS

SPECIFICATIONS

Paint Compatibility	Water- or oil-based paints, chalk paint, polyurethane and stains.
Voltage	120V, 60 Hz
WATTS	400 watt
Amps	3.3 Amps
Air Supply	67 cu.ft./min. (1.9 m ³ /min.)
Container capacity	0.8 L (28 oz)
Weight	2.76 lbs (1.25kg)
Motor speed	34,000 rpm

CARACTÉRISTIQUES

Peintures compatibles	Peintures à l'eau, à base d'huile, à la chaux, polyuréthane et antiallure.
Tension	120V, 60 Hz
Watts	400 watts
Ampères	3,3 ampères
Alimentation d'air	1,9 m ³ /min.
Capacité du réservoir	0,8 l
Poids	1,25 kg
Vitesse du moteur	34 000 tr/m

ESPECIFICACIONES

Pinturas compatibles	Pinturas a base de aceite o agua, pintura de tiza, poliuretano y manchas.
Voltaje	120 V, 60 Hz
WATTS	400 watts
Amperaje	3,3 A
Suministro de aire	1,9 m ³ /min (67 pies ³ /min)
Capacidad del recipiente	0,8 l (28 oz)
Peso	1,25 kg (2,76 lbs)
Velocidad del motor	34 000 rpm

PARTS LIST

Item	Part No.	Description
1.	C806174	Air Cap Ring
2.	C806186	Air Cap Nozzle
3.	C806175	Directional Air Cap
	C817954	Air Cap 3 Piece Set
4.	C817339	Brass Fluid Nozzle
5.	C817979	Foam Splash Guard
6.	C817462	Threaded Insert & Gasket Kit
6a.	C818084	Threaded Insert, Black
6b.	C817822	Paint Cup Gasket
7.	C817951	Suction Tube
8.	C817340	Container, 0.8L
9.	*	Trigger
10.	*	Adjustment Screw Spring
11.	*	Trigger Adjustment Screw
12.	C817341	Air Blow Nozzle
13.	*	Housing with Seal
14.	*	Brass Fluid Needle
15.	*	Motor Turbine
16.	C800982	Air Filter (2 Pack)
17.	*	Filter Cap
18.	C817344	Viscosity Cup
19.	C816545	Cleaning Brush

Optional Accessory

20.	C817561	Lid
-----	---------	-----

* Call Customer Service for replacement.

If you cannot obtain parts and accessories at your local retail dealer, then call or write: HomeRight®, 1661 94th Lane N.E., Minneapolis, Minnesota 55449-4324, Phone 763-780-5115 or 1-800-264-5442, 8:00 a.m. to 5:00 p.m. CST.

LISTE DES PIÈCES

Article	N° de référence	Description
1.	C806174	Anneau de capuchon d'air
2.	C806186	Buse à capuchon d'air
3.	C806175	Capuchon d'air directionnel
	C817954	Ensemble de capuchon d'air à trois pièces
4.	C817339	Buse de pulvérisation en laiton
5.	C817979	Protecteur antiéclaboussure en mousse
6.	C817462	Insert fileté & joint Kit
6a.	C817951	Garniture fileté, Noir
6b.	C817340	Joint d'étanchéité du godet de peinture
7.	C817951	Tube d'aspiration
8.	C817340	Réservoir, 0,8 l
9.	*	Gâchette
10.	*	Ressort de vis de réglage
11.	*	Vis de réglage de gâchette
12.	C817341	Buse d'air
13.	*	Boîtier scellé
14.	*	Aiguille en laiton
15.	*	Turbine de moteur
16.	C800982	Filtre à air (ensemble de 2)
17.	*	Filter Cap
18.	C817344	Gobelet à viscosité
19.	C816545	Brosse de nettoyage

Accessoire optionnel

20.	C817561	Couvercle
-----	---------	-----------

* Pour obtenir des pièces de rechange, appelez le service à la clientèle.

Si vous avez du mal à vous procurer pièces ou accessoires chez votre détaillant habituel, veuillez nous écrire ou nous téléphoner : HomeRight®, 1661 94th Lane N. E., Minneapolis, Minnesota 55449-4324 États-Unis, Téléphone : 763-780-5115 ou 1-800-264-5442 de 8 h à 17 h, heure normale du Centre.

LISTA DE PIEZAS

Artículo	Pieza n.º	Descripción
1.	C806174	Anillo de válvula de aire
2.	C806186	Boquilla de la válvula de aire
3.	C806175	Válvula de aire direccional
	C817954	Set de 3 piezas de la válvula de aire
4.	C817339	Boquilla de rociado de latón
5.	C817979	Protector de espuma ante salpicaduras
6.	C817462	Inserto roscado y Kit de la Junta
6a.	C817951	Inserto roscado negro
6b.	C817340	Junta de taza de pintura
7.	C817951	Tubeo de succión
8.	C817340	Recipiente, 0,8 l
9.	*	Gatillo
10.	*	Resorte del tornillo de ajuste
11.	*	Tornillo de ajuste del gatillo
12.	C817341	Boquilla de aire
13.	*	Carcasa con sello
14.	*	Aguja de latón
15.	*	Turbina de motor
16.	C800982	Filtro de aire (paquete de 2 unidades)
17.	*	Tapa de filtro
18.	C817344	Taza de viscosidad
19.	C816545	Cepillo de limpieza

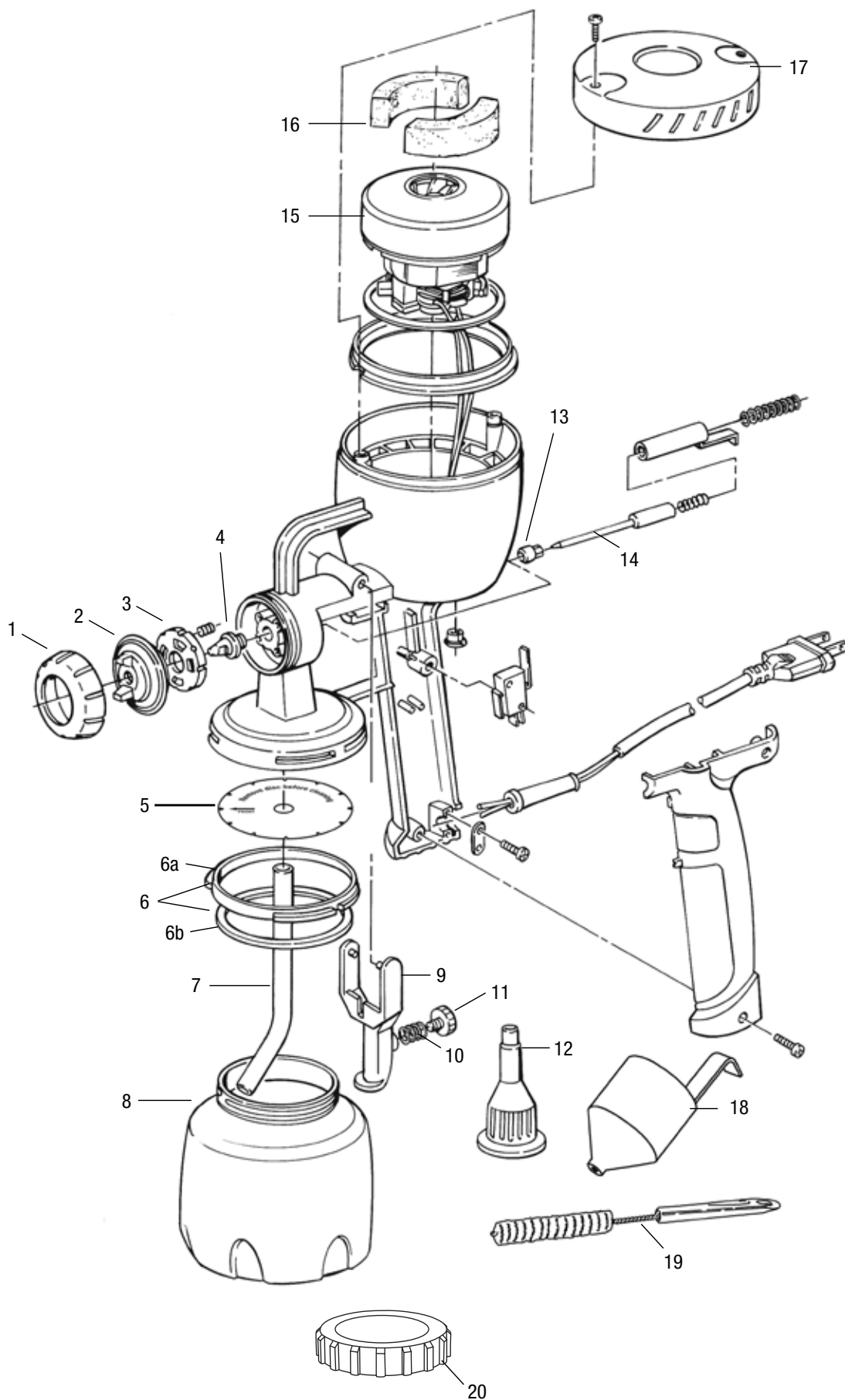
Accessoire optionnel

20.	C817561	Tapa
-----	---------	------

* Llame al departamento de servicio al cliente si se requiere un reemplazo.

Si no puede obtener piezas y accesorios en las tiendas de su localidad, llámenos o escribanos a: HomeRight®, 1661 94th Lane N.E., Minneapolis, Minnesota 55449-4324, teléfono 763-780-5115 ó 1-800-264-5442, 8:00 a.m. a 5:00 p.m. (hora del Centro de los Estados Unidos).

PARTS LIST • LISTE DES PIÈCES • LISTA DE PIEZAS



Finish Max Fine Finish Sprayer Two-Year Limited Warranty

HomeRight® warrants this product from any defects in material or workmanship for two years from the date of purchase, when it is maintained and operated according to the instructions in the Instruction Manual. HomeRight will repair or replace defective product at no charge and return postage-paid to you. This warranty does not cover accessories or damage resulting from improper use, negligence, accidents, or normal wear and tear. This warranty is void if either model is used for commercial or rental purposes.

Any implied warranty or merchantability or fitness for a particular purpose is limited to two years following date of purchase.

Responsibility is limited to the repair or replacement for defects in material or workmanship. HomeRight shall not in any event be liable for any incidental or consequential damages of any kind, whether for breach of this warranty or any other reason.

Some states do not allow a limitation on how long implied warranties last or the exclusion of incidental or consequential damages, so the above limitation and exclusion may not apply to you.

This warranty gives you specific legal rights, and you may also have other rights which vary from state to state.

For warranty service, send your product postage-paid along with a description of the problem to: HomeRight, Warranty Dept., 1661 94th Lane N.E., Minneapolis, MN 55449 or call customer service at 1-800-264-5442, 763-780-5115 for further assistance.

Finition Fine Pulvérisateur Finish Max Garantie limitée de deux ans

HomeRight® garantit ce produit contre tout défaut de matériaux et de main-d'œuvre pendant une période de deux ans à partir de la date d'achat s'il est entretenu et utilisé selon les directives contenues dans le manuel d'instruction. HomeRight® procédera aux réparations nécessaires ou au remplacement sans frais et vous renverra l'outil port payé. Cette garantie ne couvre pas les accessoires, ni les dommages découlant d'une utilisation inadéquate, d'une négligence, d'un accident ou de l'usure et de la détérioration normales. Si l'un de ces modèles est utilisé à des fins commerciales ou locatives, cette garantie est nulle et non avenue.

Toute garantie implicite quant à la qualité marchande ou à l'adaptation à un usage particulier est limitée à deux ans suivant la date d'achat.

La responsabilité de la société se limite aux réparations ou au remplacement suite à des défauts éventuelles de matériaux ou de main-d'œuvre. HomeRight décline toute responsabilité pour tout dommage accessoire ou indirect de quelque nature que ce soit, y compris pour violation de cette garantie ou tout autre motif.

Certaines provinces interdisant de limiter la durée des garanties implicites et d'exclure les dommages directs ou indirects, il se peut que les limitations et exclusions ci-dessus ne vous concernent pas.

La présente garantie vous accorde des recours juridiques particuliers et il se peut que vous jouissiez d'autres recours, qui peuvent varier d'une province à l'autre.

Pour le service de garantie, faites parvenir le produit dûment affranchi, accompagné d'une description du problème à : HOME RIGHT, Warranty Dept., 1661 94th Lane N.E., Minneapolis, MN 55449, États-Unis, ou appelez le service à la clientèle au 1 800 264-5442, (763) 780-5115 pour obtenir une assistance supplémentaire.

Acabado Fino Pulverizador Finish Max Garantía limitada de dos años

HomeRight® garantiza este producto contra todo defecto de material o mano de obra, por dos años a partir de la fecha de compra, siempre que se mantenga y maneje de acuerdo con las indicaciones del manual de instrucciones. HomeRight reparará o cambiará el producto defectuoso sin costo para usted y se lo enviará con el franqueo prepago. Esta garantía no cubre accesorios ni daños resultantes del uso indebido, negligencia, accidentes o desgaste normal. La garantía se anulará si cualquier modelo se usa para fines comerciales o de alquiler.

Cualquier garantía implícita o de comercialización o de idoneidad para un propósito específico se limita a dos años a partir de la fecha de la compra.

La responsabilidad de la compañía se limita a la reparación o al reemplazo de los defectos de material o mano de obra. Bajo ninguna circunstancia, HomeRight se hará responsable por daños accidentales o derivados de ningún tipo que se originen por la violación de esta garantía o por cualquier otro motivo.

Algunos estados no permiten limitar la duración de las garantías implícitas ni excluir los daños accidentales o derivados, de modo que los límites y las exclusiones anteriores podrían no corresponder en su caso.

Esta garantía le otorga derechos legales específicos, a los cuales se pueden agregar otros que varían de estado en estado.

Para obtener servicio cubierto por la garantía, envíe su producto con franqueo pagado y una descripción del problema a la siguiente dirección: HomeRight, Warranty Dept., 1661 94th Lane N.E., Minneapolis, MN 55449; o llame al departamento de servicio al cliente al 1-800-264-5442, 763-780-5115 si requiere más ayuda.

HomeRight

1661 94th Lane N.E.
Minneapolis, Minnesota 55449-4324
Phone 763-780-5115
Customer Service Line 1-800-264-5442
8:00 a.m. to 5:00 p.m. CST

HomeRight

1661 94th Lane N. E.
Minneapolis, MN 55449-4324
Tel: 763-780-5115
Servicio al cliente: 1-800-264-5442
8:00 a. m. a 5:00 p. m.
(hora del Centro de EE. UU.)

HomeRight

1661 94th Lane N. E.
Minneapolis, MN 55449-4324
Tél. : 763-780-5115
Service à la clientèle : 1-800-264-5442
8 h à 17 h, heure normale du Centre

Register Online Today To Activate Your Two-Year Warranty
Enregistrez en ligne aujourd'hui Pour lancer votre garantie de deux ans
Regístrese en línea hoy Para activar su garantía de dos años

<http://www.homeright.com/product-registration>