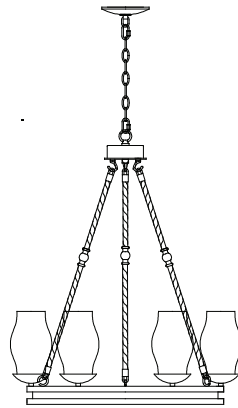


SAFAVIEH LIGHTING

Assembly Instruction

CAUTION: Read instruction carefully and turn electricity off at main circuit breaker panel before beginning installation.

ITEM #:LIT4393A



Care and Cleaning

To clean the outside of the fixture, use a dry or slightly dampened clean cloth (use clean water, never a solvent) to wipe the surface of the fixture.

To clean the inside of the fixture, first disconnect power to the fixture by turning off the circuit breaker or by removing the fuse at the fuse box. Next, use a dry or slightly dampened clean cloth (use clean water, never a solvent) to wipe the interior surface of the fixture.

Do not use any cleaners with chemical, solvents or harsh abrasives. Use Only a dry soft cloth to dust or wipe carefully.

Estimated Assembly Time: 30 minutes

Part List and Hardware List

PIECE	DESCRIPTION	PICTURE	QUANTITY	PIECE	DESCRIPTION	PICTURE	QUANTITY
A	Mounting bar		1X	F	Center box		1X
A1	Mounting screw		2X	G	Suspender		3X
B	Canopy		1X	H	Glass shade		6X
C	Lock		1X	I	Fixture		1X
D	Out ring		1X	J	Socket sleeve		6X
E	Chain		1X	K	Bulb		6X
				L	Wire nut		3X

Installation

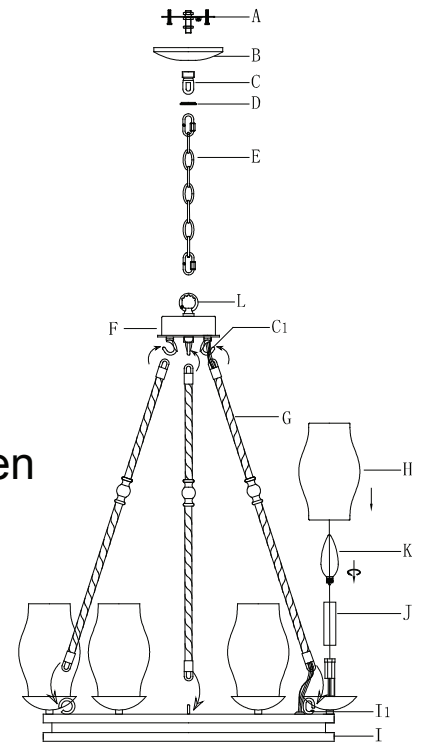
Step 1

Unpack all parts from cartons carefully

Fixing chain(E) to the lock(L)

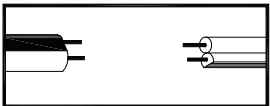
Fixing one end of suspender (G) to the pothook (C1) ,another end of suspender(G)to the pothook(C2) of the fixture(I)

Place socket sleeve(J) and bulb(E) to the socket then glass shade(H)

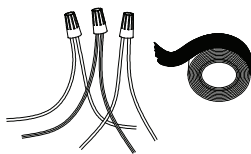


Step 2 Wire Connetion

Connect,Hot,Black or Red outlet Supply Wire to:	Connect,Neutral,White Outlet Supply Wire to:
Black	White
* Parallel Cord(round & smooth)	* Parallel Cord(square& ridged)
Clear,Brown,Gold or Black without Tracer(colored stripes)	Clear,Brown,Gold or Black without Tracer(colored stripes)
Insulated Wire(not green) with copper metal conductor	Insulated Wire(not green) with Silver metal conductor



*Note: When parallel wire(SPT I & SPT II) is used.The neutral wire is square shaped and ridged and the hot wire will be round in shape and smooth.(See illustration on left.)



Step 3

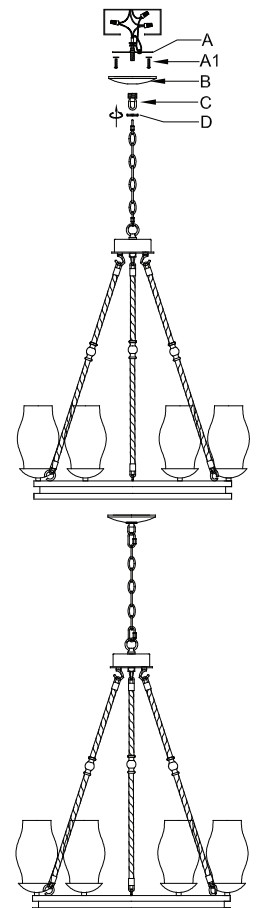
Installing the mounting bar(A) with mounting screw(A1), and secure canopy(B) with the lock (C) and tighten with out ring(D)

Step 4

Installing whole body to the lock(C)

Step 5

Consult a qualified electrician to ensure correct branch circuit conductor



ENJOY YOUR LAMP