



Item # 742 483

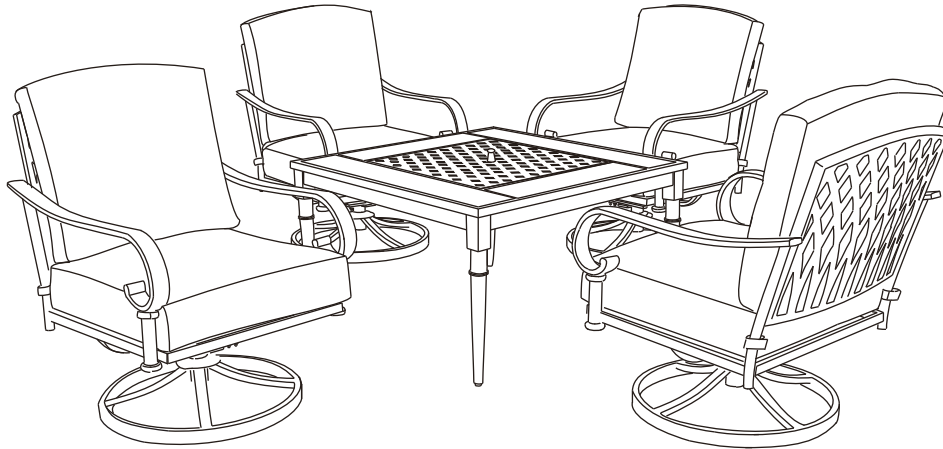
Model #176-411-5FP-V2

## USE AND CARE GUIDE

---

### OAK CLIFF 5-PIECE PATIO FIRE PIT CONVERSATION SET

(Box 3 of 3: One Table)



Questions, problems, missing parts? Before returning to the store,  
call Hampton Bay Customer Service  
8.00 a.m. - 7.00 p.m. EST, Monday - Friday,  
9.00 a.m. - 6.00 p.m. EST, Saturday

**1-855-HD-HAMPTON**

**HAMPTONBAY.COM**

---

#### THANK YOU

*We appreciate the trust and confidence you have placed in Hampton Bay through the purchase of this 5 - piece set. We strive to continually create quality products designed to enhance your home. Visit us online to see our full line of products available for your home improvement needs. Thank you for choosing Hampton Bay!*

# Table of Contents

Table of Contents.....	2	Pre-Assembly .....	3
Safety Information.....	2	Planning Assembly .....	3
Warranty .....	2	Hardware Included.....	3
Two Year Frame Limited Warranty.....	2	Package Contents .....	4
What Is Covered .....	2	Assembly .....	5
What Is Not Covered .....	2	Operation .....	7
Care Instructions .....	2		

# Safety Information



**CAUTION:** Please keep children out of the assembly area during assembly.



**WARNING:** Do not sit or stand on the table.



**CAUTION:** Use the table on flat ground only.



**IMPORTANT:**  
There are more safety information on page 7 of the manual. Please read them carefully before using the fire-pit.



**WARNING:** Fuels used in wood or charcoal burning appliances, and the products of combustion of such fuels, contain chemicals known to the State of California to cause cancer and birth defects or other reproductive harm.

# Warranty

## TWO YEAR FRAME LIMITED WARRANTY

### WHAT IS COVERED

We warrant the frame to be free of manufacturing defects to the original purchaser for two years.

### WHAT IS NOT COVERED

It remains the customer's responsibility for freight and packaging charges to and from our service center. This warranty does not cover commercial use, hardware, acts of nature, fire, freezing and abusive use. In addition, purchased parts are not covered under this warranty. We reserve the right to make substitutions with similar merchandise, if the model in question is no longer in production.

# Care Instructions

Before using, wipe with a clean, dry cloth. Do not use bleach or solvents. Treat the frame with liquid wax for maximum protection against UV light and salty, damp air. When not in use, store the furniture in a cool, dry place. If your set includes cushions or mesh fabric, they may be cleaned by hand with a mild solution of soap and water. Rinse the cushions thoroughly and allow to drip dry. Do not machine wash or tumble dry, as the cushions may shrink. Do not use bleach or solvents on fabrics. When cleaning the tabletop make sure to use a soft, clean cloth that doesn't bleed color.

You may contact our customer service department with any questions by phone at 1-855-HD-HAMPTON or visit [www.hamptonbay.com](http://www.hamptonbay.com).

# Pre-Assembly

## PLANNING ASSEMBLY

It will take two people about 15 minutes to complete the assembly process.

## HARDWARE INCLUDED



**NOTE:** Hardware not shown to actual size.



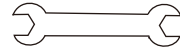
\_\_\_\_ AA



\_\_\_\_ BB



\_\_\_\_ CC

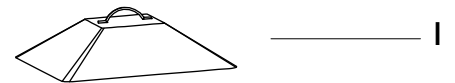
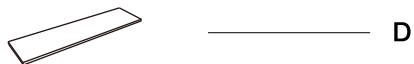
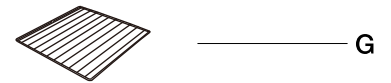
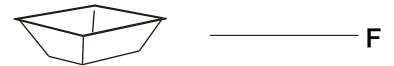
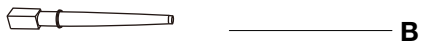
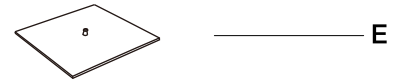


\_\_\_\_ DD

Part	Description	Quantity
AA	Bolt cap (M8)	8
BB	Bolt (M8x30)	8
CC	Washer (M8)	8
DD	Spanner	1

# Pre-Assembly (continued)

## PACKAGE CONTENTS



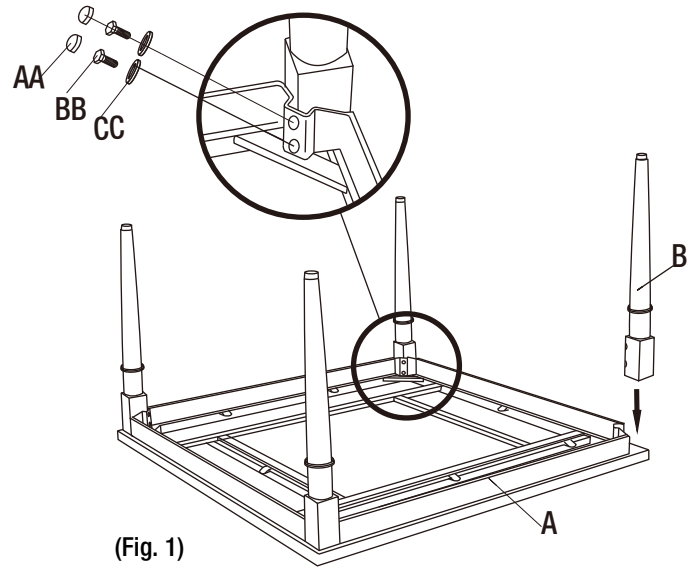
Part	Description	Quantity
A	Table rim	1
B	Table leg	4
C	Long tile	2
D	Short tile	2

Part	Description	Quantity
E	Cover	1
F	Fire bowl	1
G	Steel grate	1
H	Fire pit poker	1
I	Mesh cover	1

# Assembly

## 1 Attaching the table legs

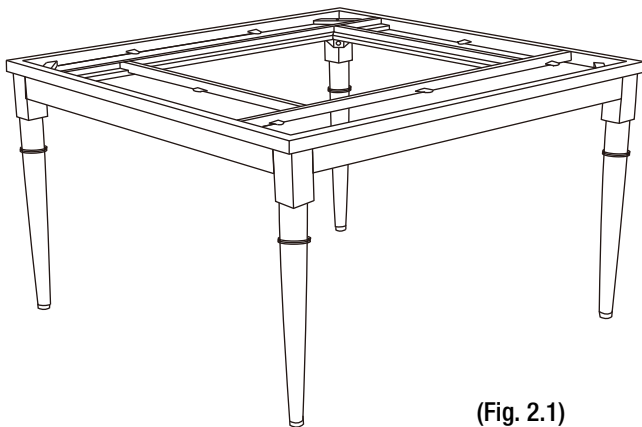
- Place the table top (A) upside down on a flat, smooth surface.
- Attach each table leg (B) to the table top (A) with two washers (CC) and two bolts (BB), using the spanner (DD).
- Completely tighten all the bolts (BB).
- Cover each bolt (BB) with one bolt cap (AA). (Fig. 1)



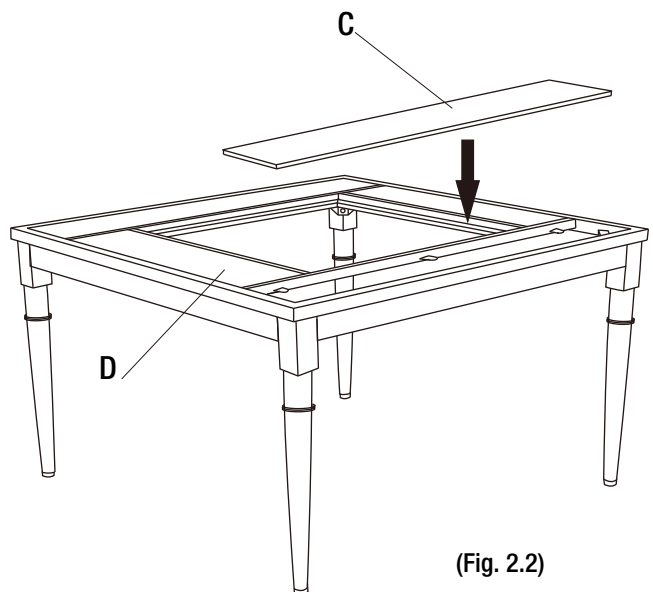
(Fig. 1)

## 2 Insetting tiles

- Turn the table frame upright. (Fig. 2.1)
- Inset long tiles (C) and short tiles (D) into the table frame. (Fig. 2.2)



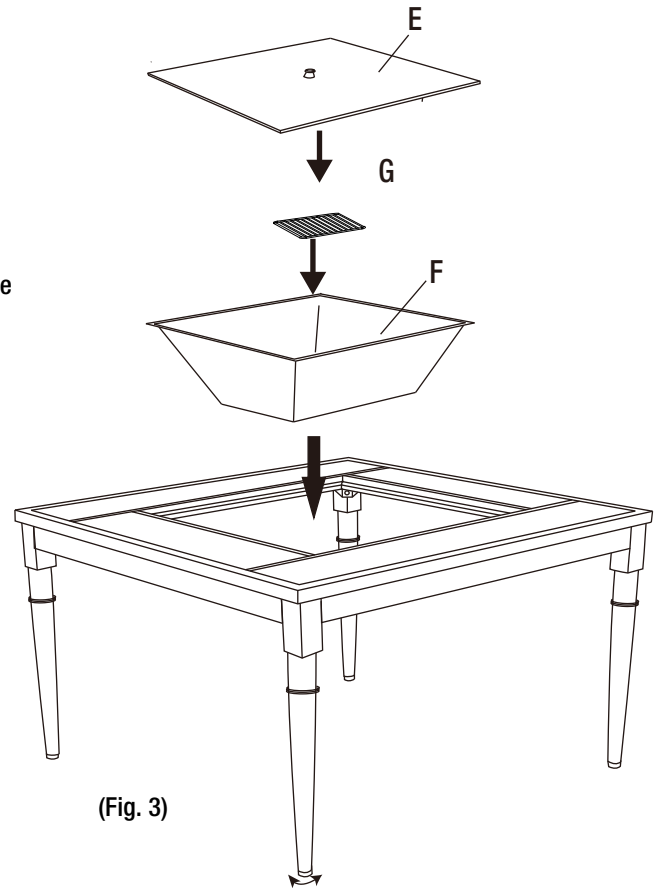
(Fig. 2.1)



(Fig. 2.2)

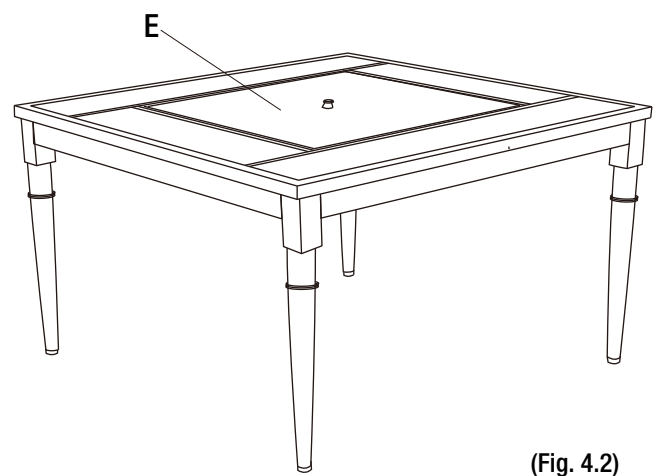
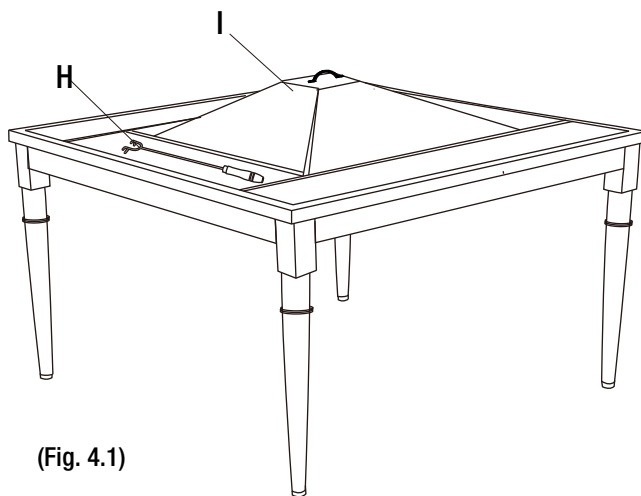
### 3 Insetting the fire pit

- Place the fire bowl (F) into the table top.
- Place the steel grate (G) into the bottom of the fire bowl (F).
- Cover the fire bowl (F) with the cover (E).
- Level the table with foot glides at the bottom of table legs. (Fig. 3)
- Set the mesh cover (I) and the fire pit poker (H) aside in a cool dry place when not in use to avoid rust from developing.



### 4 Fire pit in use or not in use

- When the fire pit will be used, remove the cover (E) and place it in a safe place to prevent damage. The mesh cover (I) must be in place when the fire pit is in use. Cover the fire bowl with the mesh cover (I) to avoid embers from flying out of the bowl. (Fig. 4.1)
- When the fire pit is not in use and completely cooled down, set the fire pit poker (H) and the mesh cover (I) aside in a cool dry place to avoid rust from developing, cover the fire pit with the cover (E) when pit is completely cooled for a tidy look. (Fig. 4.2)



# Operation

## 1 Using the fire pit table

- The fire pit is for outdoor use only.
- Use the fire pit table on flat ground only.

## 2 Special Warnings

### WARNING: WHEN THE FIRE PIT IS IN USE



The fire-pit is for open outdoor use only when in use.  
Please have a fire extinguisher ready before using the unit.  
For safety reasons, do not touch the fire-pit when it is in use.  
Do not leave a fire unattended. Do not allow small children near the fire.  
Do not use this fire pit on combustible surfaces like wood, dry grass, leaves and other materials which might catch fire.  
Do not stack wood above the top of the oven as the fire screen must fit in place during use.

### WARNING: AFTER FIRE PIT USE



To prevent a burn, injury, or damage to the unit, please do not place the cover (E) on the table until the fire is completely extinguished and your unit has cooled off.

### WARNING: IMPROPER USE WILL DAMAGE THE TABLE TOP



Placing the cover (E) in place before the unit is cool will result in damage to the cover.  
Do not use the fire pit in windy conditions as the flames can transfer heat to the surface of table top.

**WARNING! UNIT WILL BE HOT WHEN IN USE, FOR SAFETY REASONS DO NOT TOUCH!**



### WARNING! NEVER LEAVE FIRE UNATTENDED

Do not allow small children near the flame. Hot embers can fly out of the fire pit in windy conditions. Adequate fire extinguishing material should be readily available.



**WARNING!** Do not use the fire pit on a wood deck or on combustible surfaces such as dry grass, leaves, mulch, etc. Do not use this unit near heat sensitive or combustible structures such as vinyl or wood siding.

**WARNING**

### CARBON MONOXIDE HAZARD

Burning charcoal inside an enclosed structure can be fatal. It gives off carbon monoxide which has no odor. NEVER burn wood or charcoal inside homes, vehicles or tents.



### CAUTION!

Read and follow all safety statements and warnings, assembly instructions and care and cleaning directions before attempting to assemble.



### CAUTION!

Some parts may contain sharp edges. Wear protective gloves as necessary.



Questions, problems, missing parts? Before returning to the store,  
call Hampton Bay Customer Service  
8.00 a.m. - 7.00 p.m. EST, Monday - Friday,  
9.00 a.m. - 6.00 p.m. EST, Saturday

**1-855-HD-HAMPTON**

**HAMPTONBAY.COM**

Retain this manual for future use.