

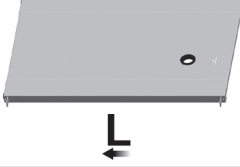



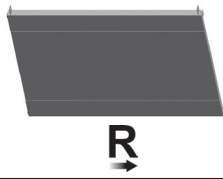
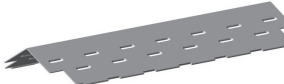
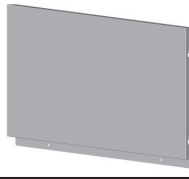


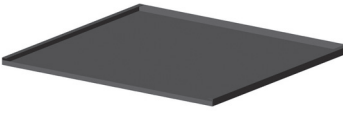
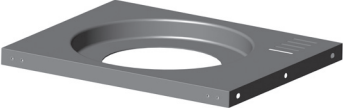
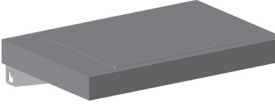
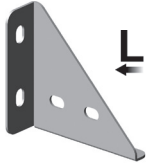

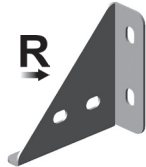




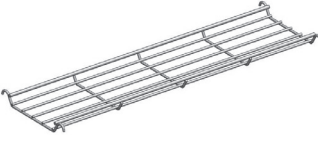


ASSEMBLY INSTRUCTIONS

STRATOS 2 BURNER

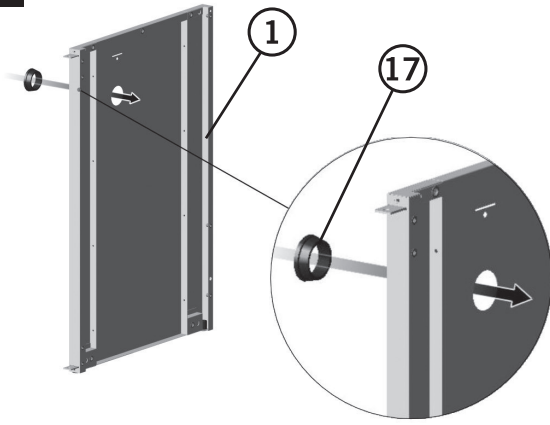
MODEL No's 98721, 98723



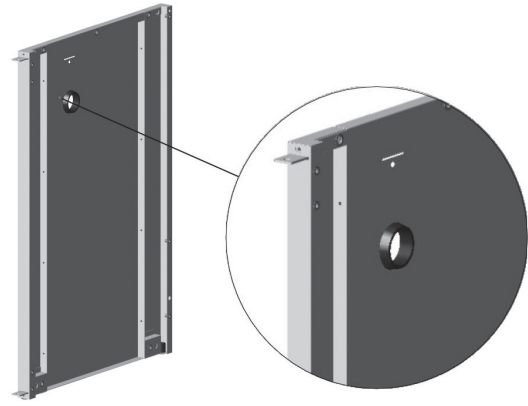
LIVE THE BRAAI LIFE

1		x 1	9		x 1 (98721)
2		x 4	10		x1 (98723)
3		x 1	11		x2
4		x 1	12		x2
5		x 1	13		x1
6		x 1	14		x 1 (98723) x2 (98721)
7		x 1	15		x1 (98723)
8		x 1	16		x1
A		x 14 (98721) x 18 (98723) (M4x12)	17		x1
B		x 4 (M6x12)	18		x1
C		x 6 (M6x12)	19		x2

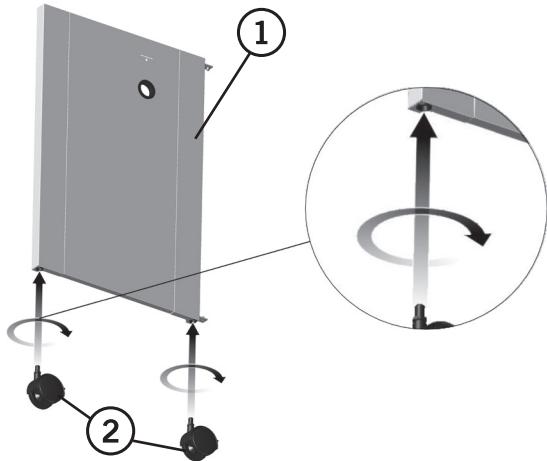
1.1



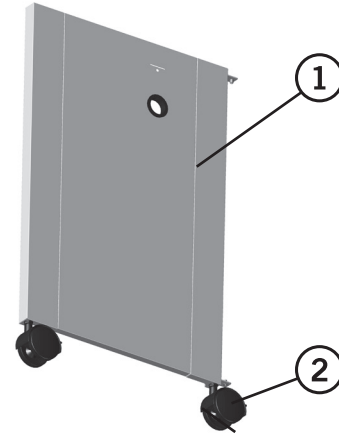
1.2



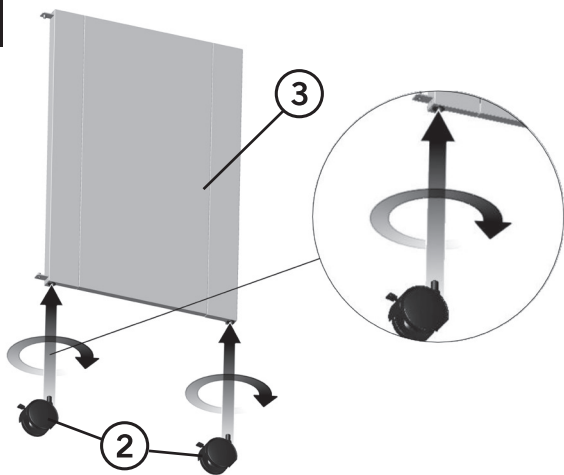
2.1



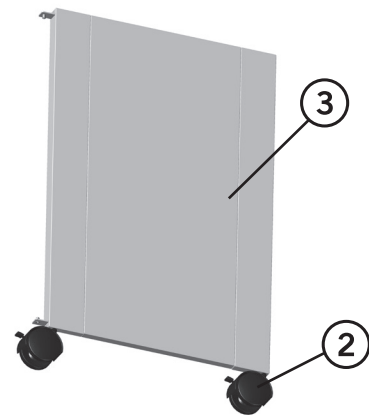
2.2



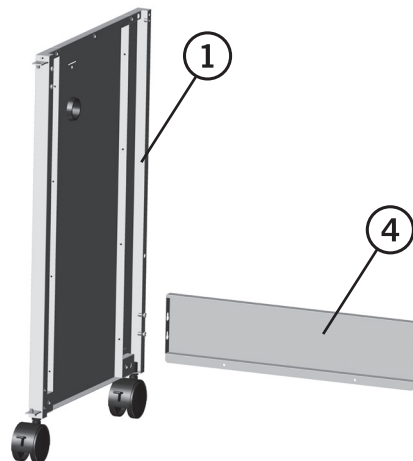
2.3



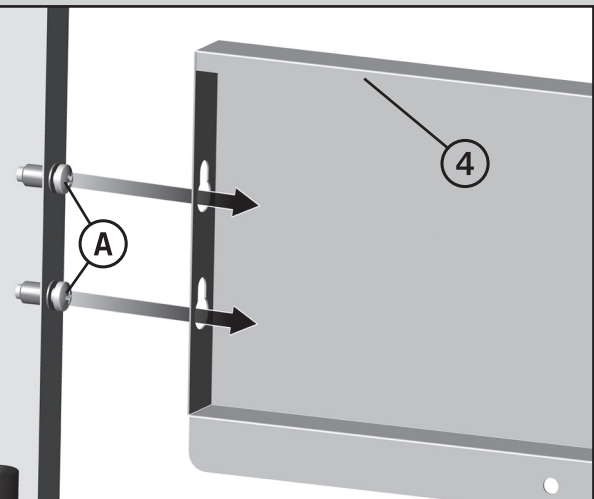
2.4



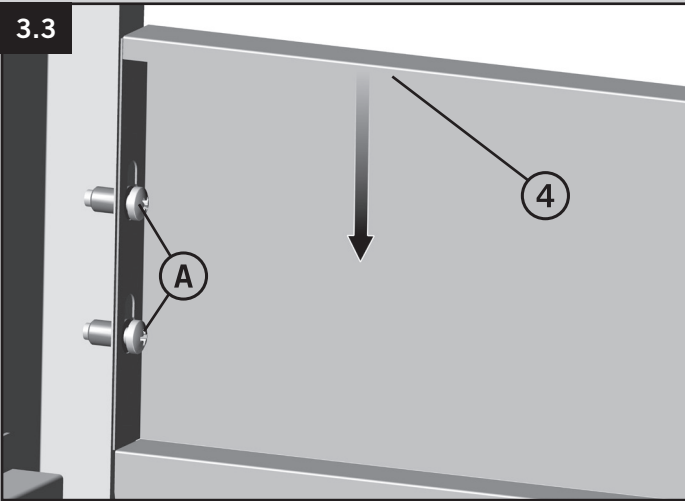
3.1



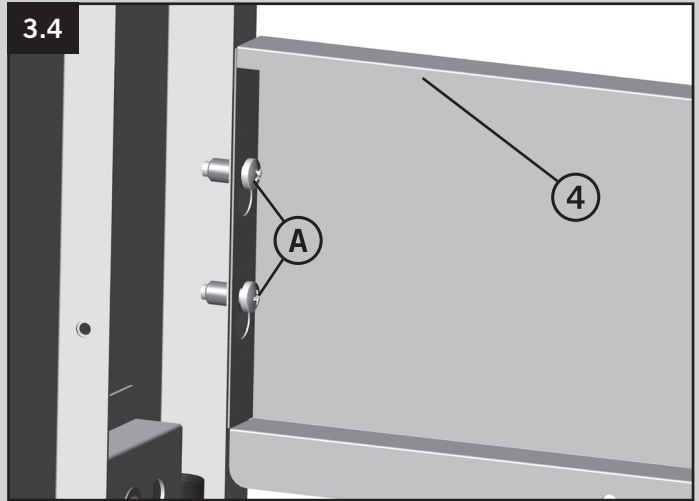
3.2



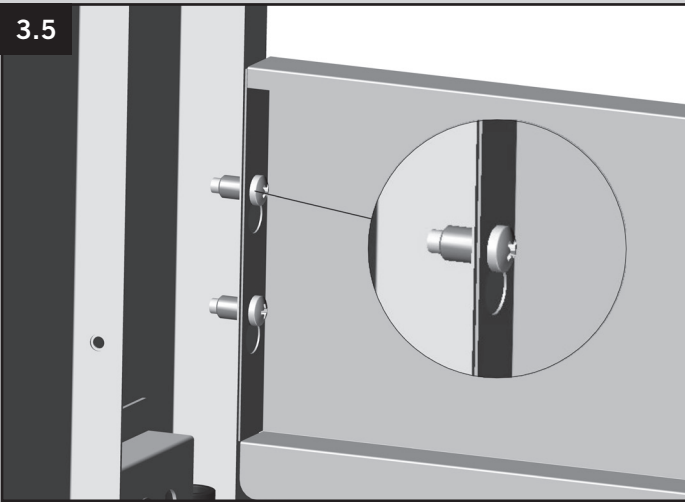
3.3



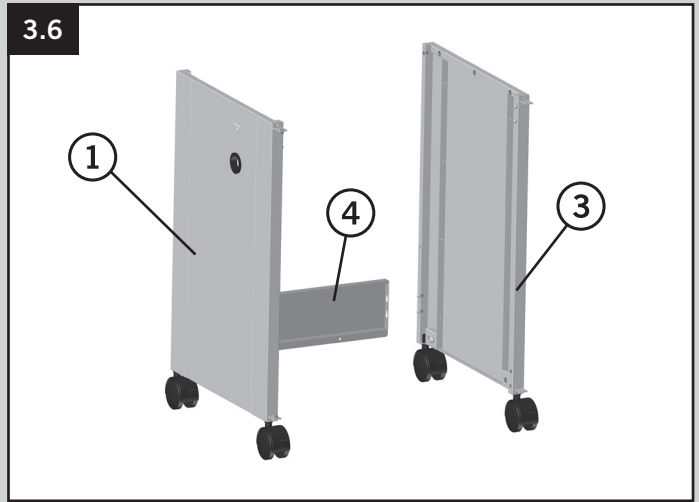
3.4



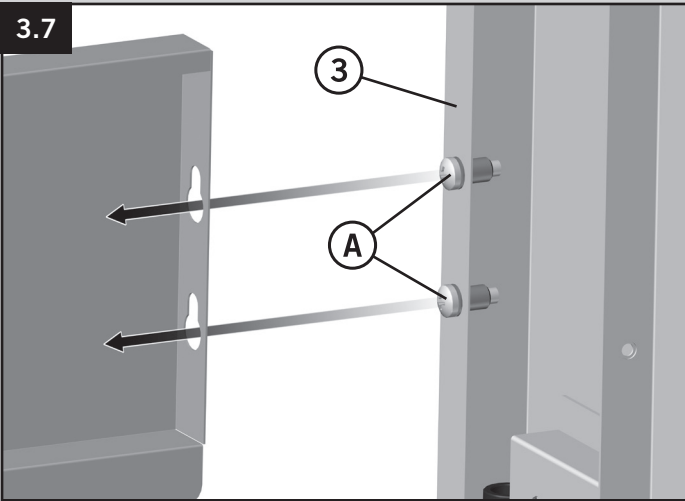
3.5



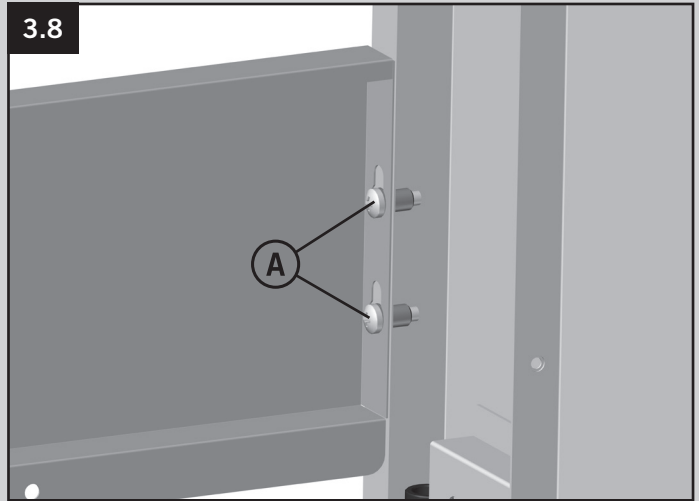
3.6



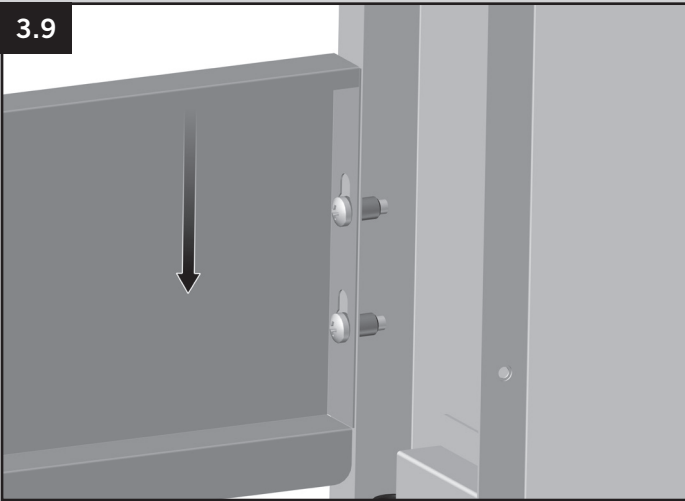
3.7



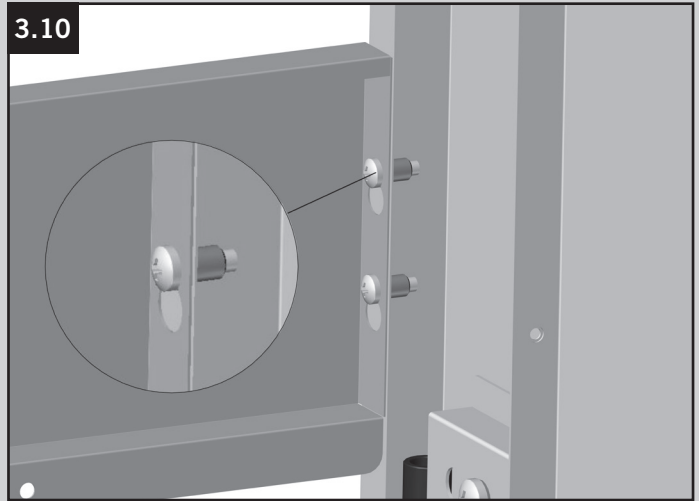
3.8



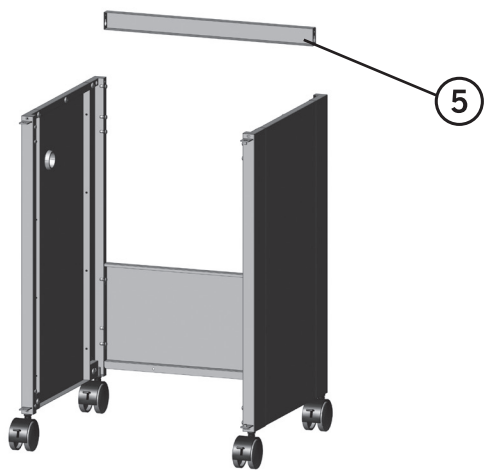
3.9



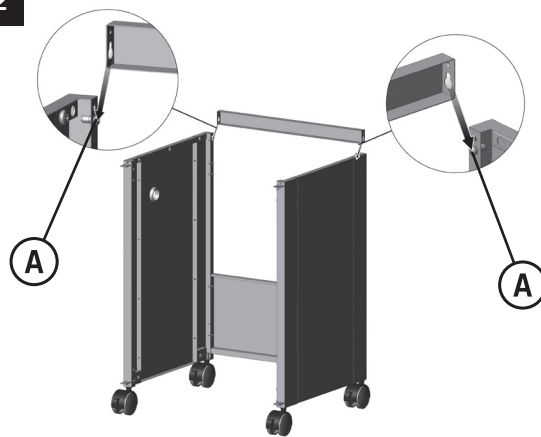
3.10



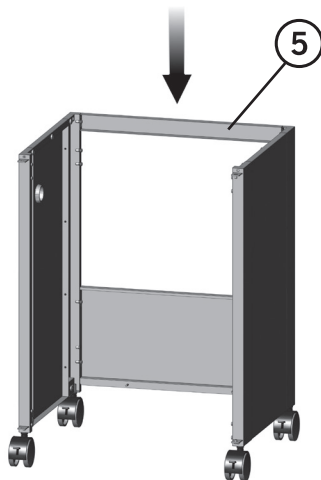
4.1



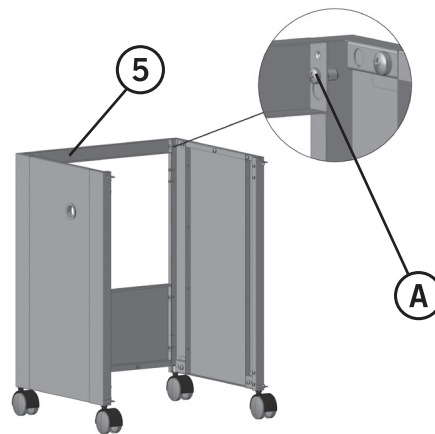
4.2



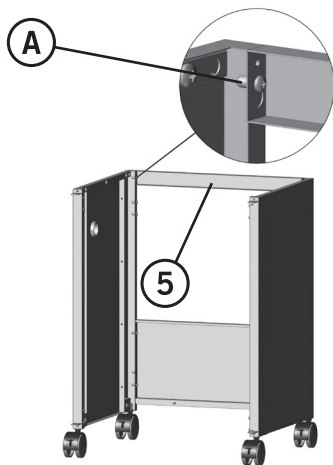
4.3



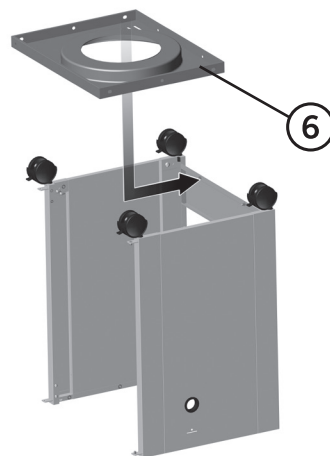
4.4



4.5



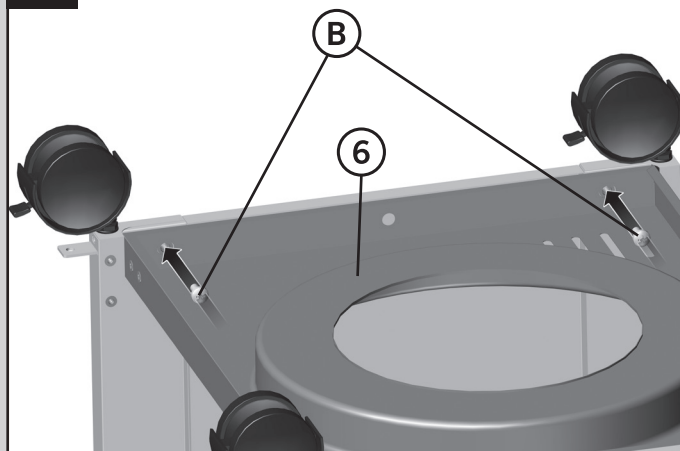
5.1



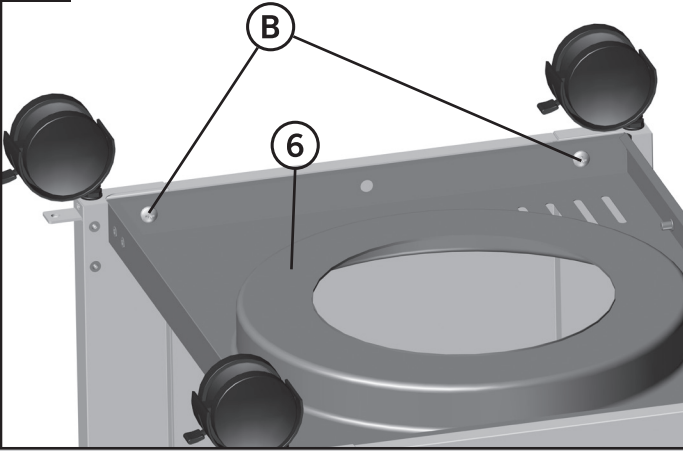
5.2



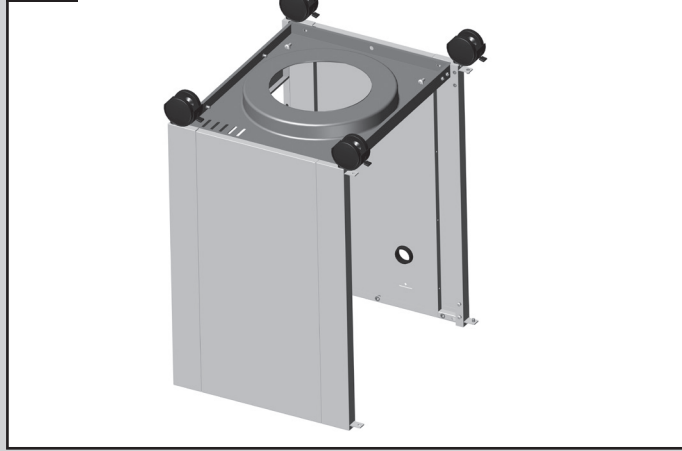
5.3



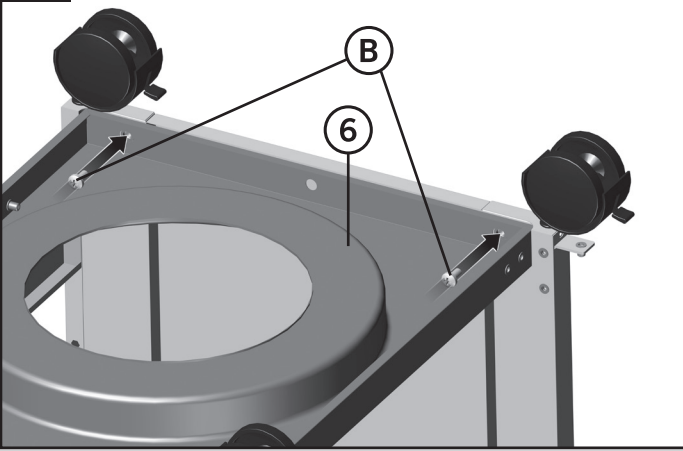
5.4



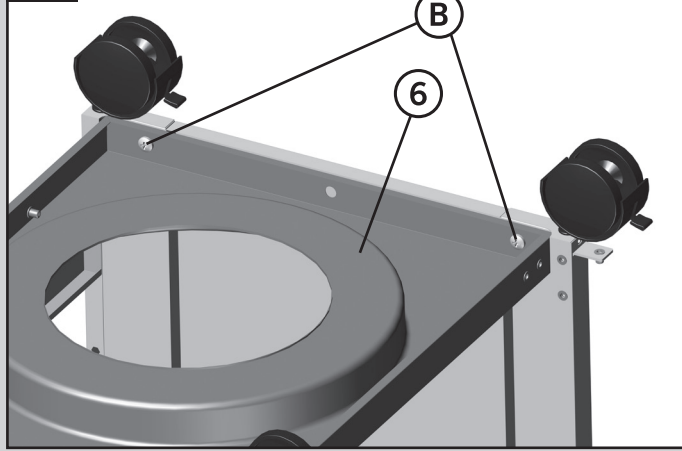
5.5



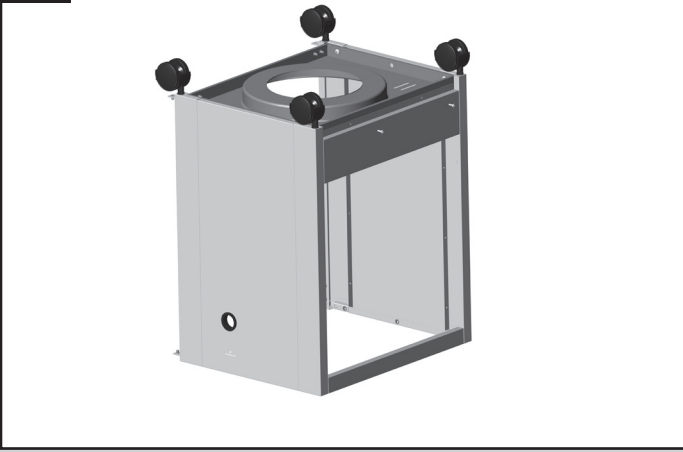
5.6



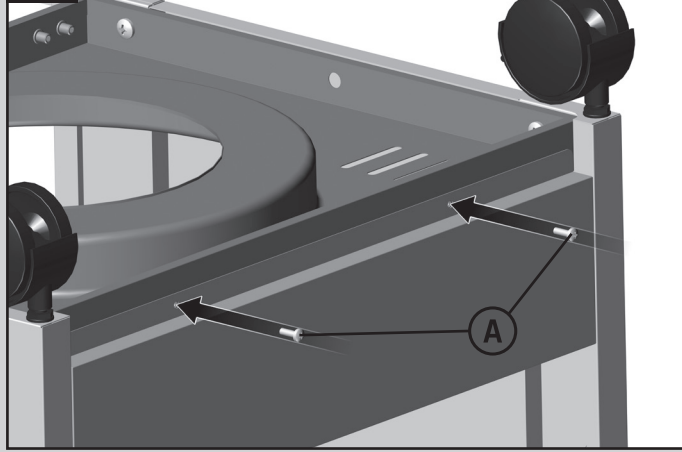
5.7



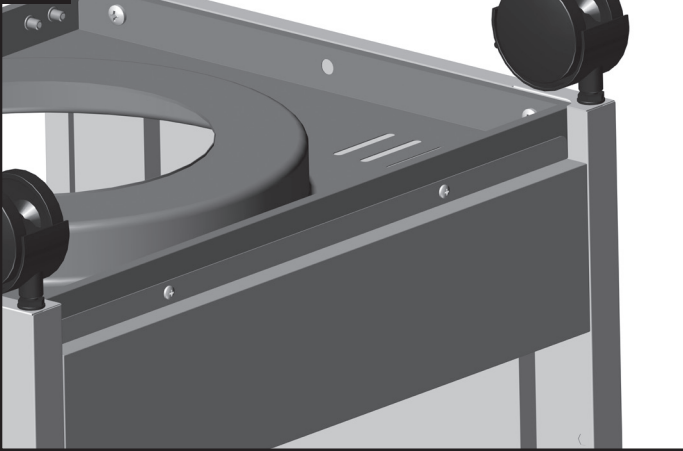
5.8



5.9



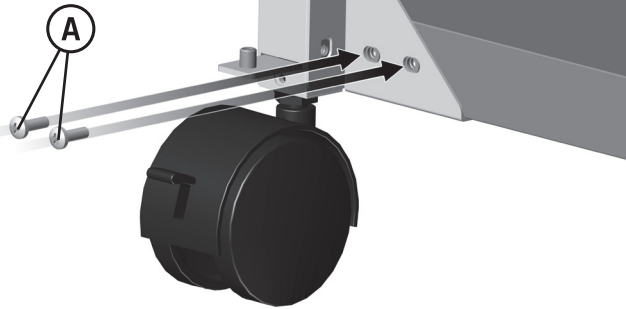
5.10



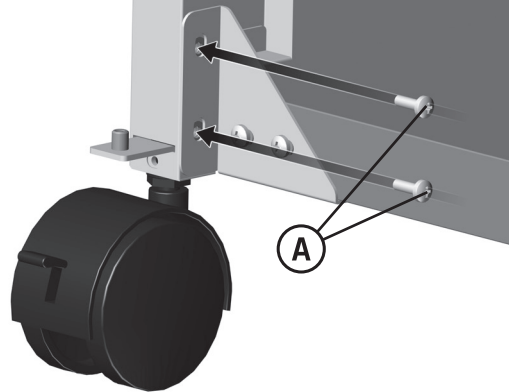
6.1



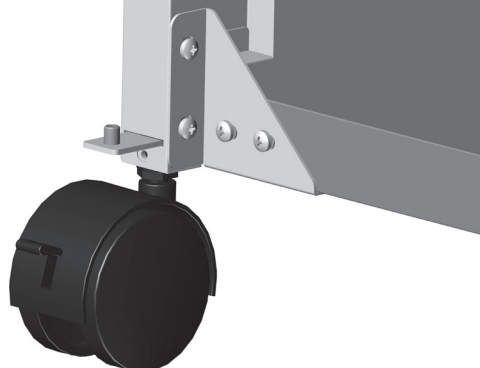
6.2



6.3



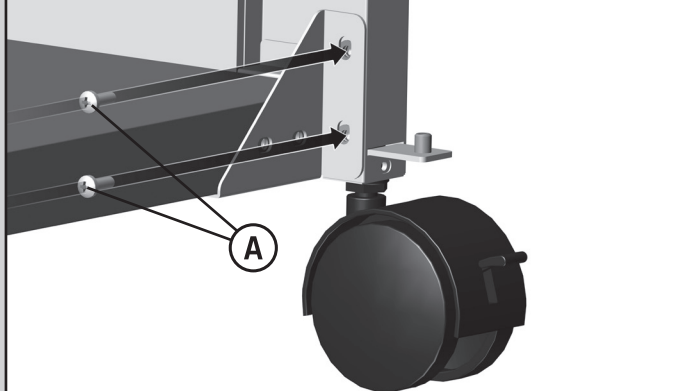
6.4



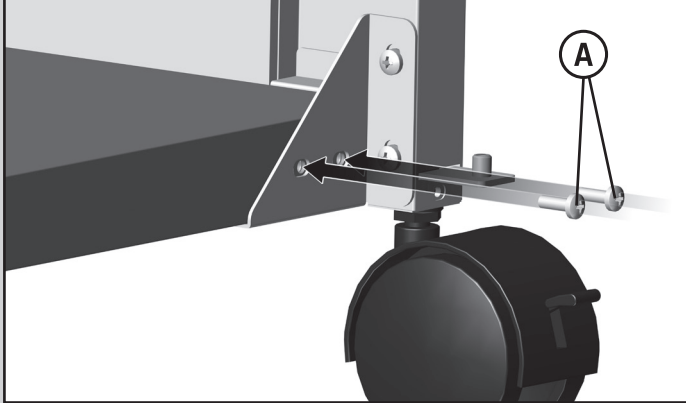
7.1



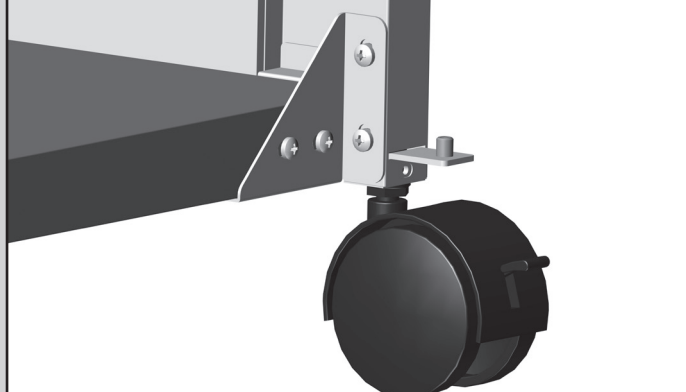
7.2



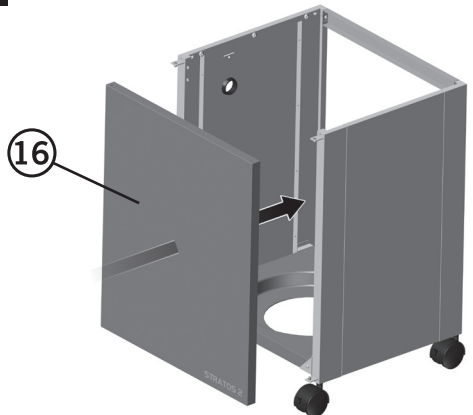
7.3



7.4

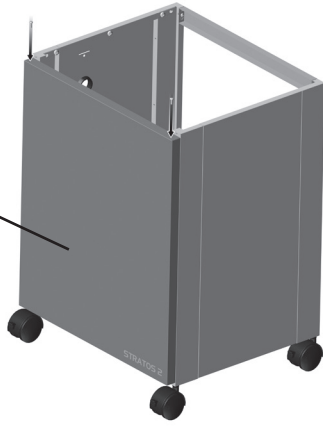


8.1



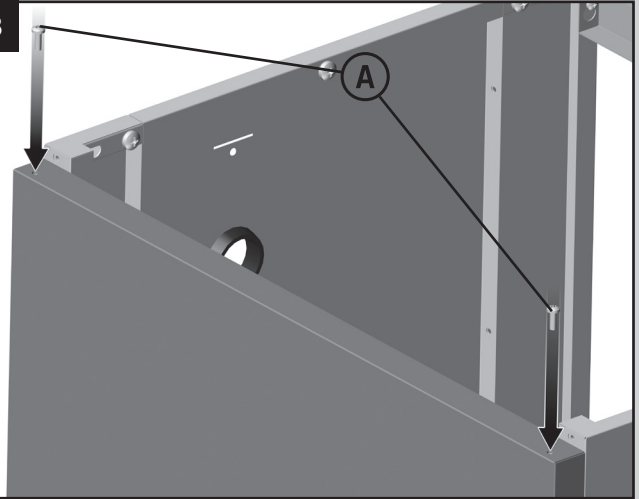
8.2

16

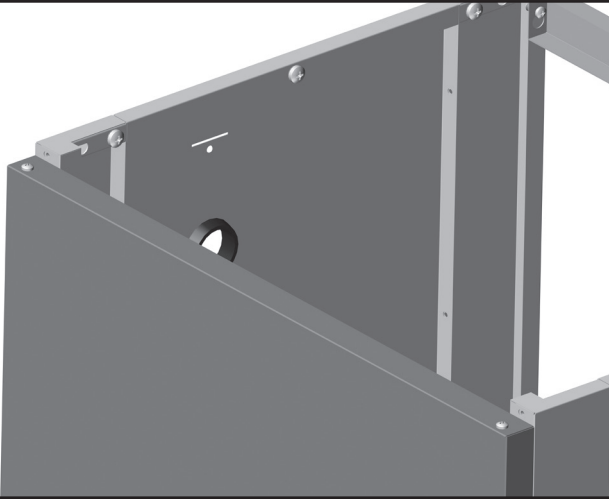


8.3

A

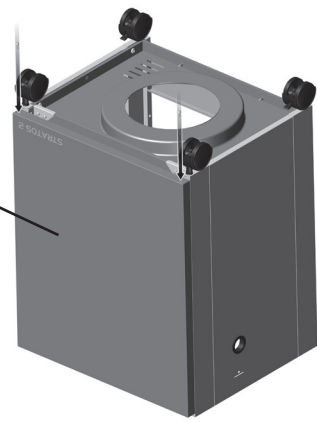


8.4



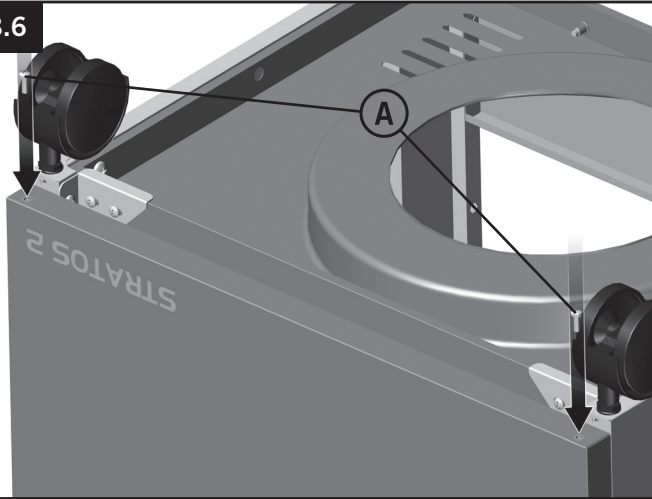
8.5

16

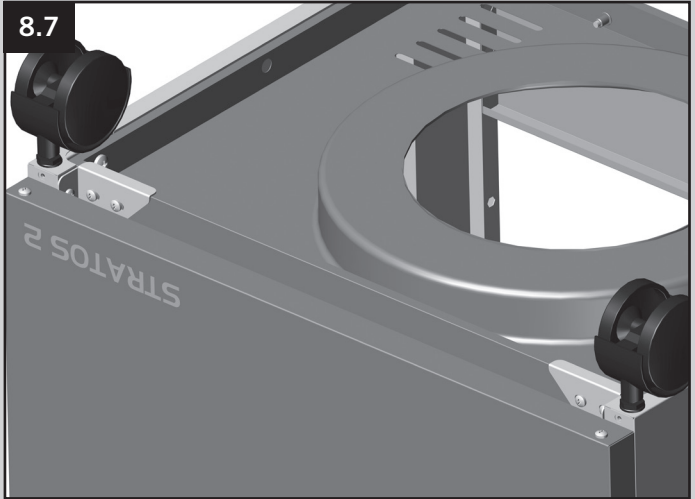


8.6

A



8.7

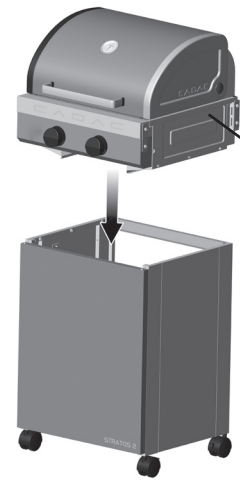


8.8



9.1

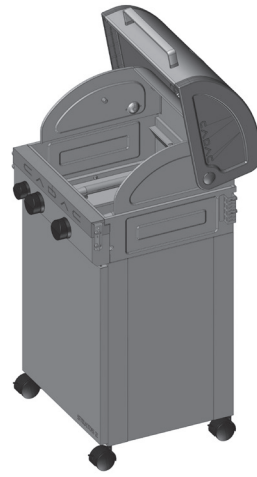
9



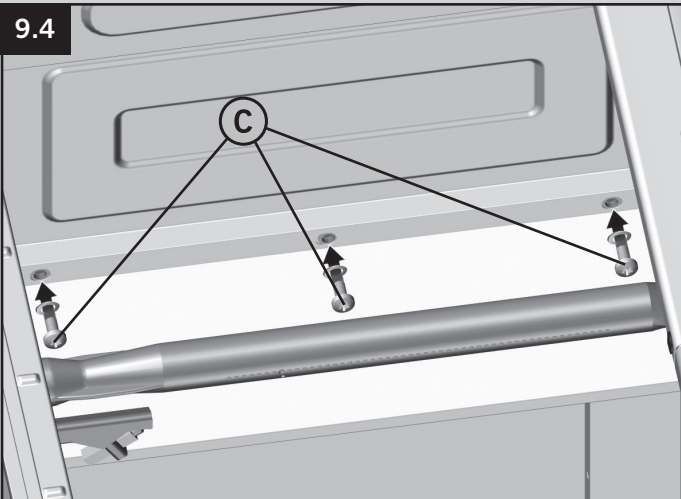
9.2



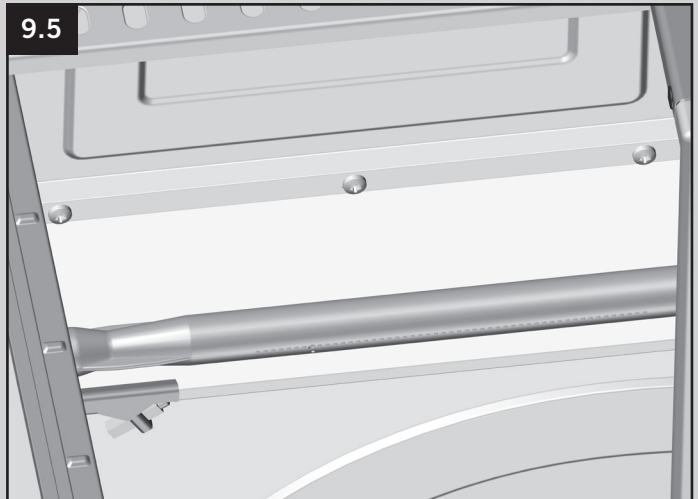
9.3



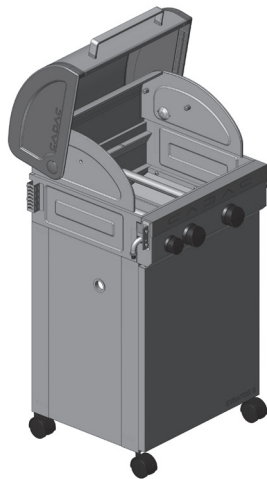
9.4



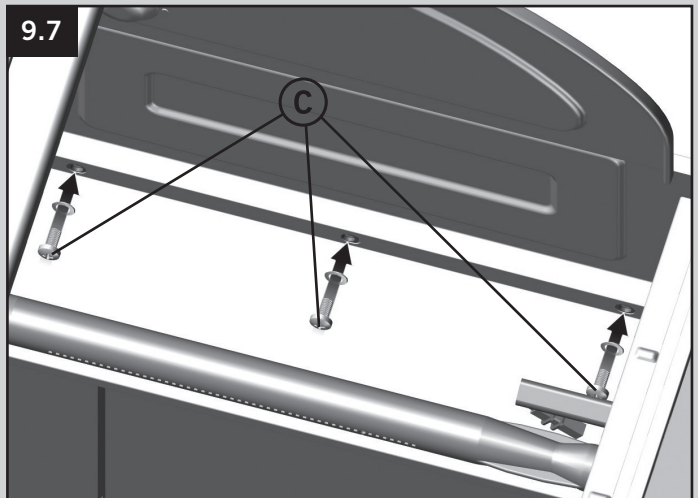
9.5



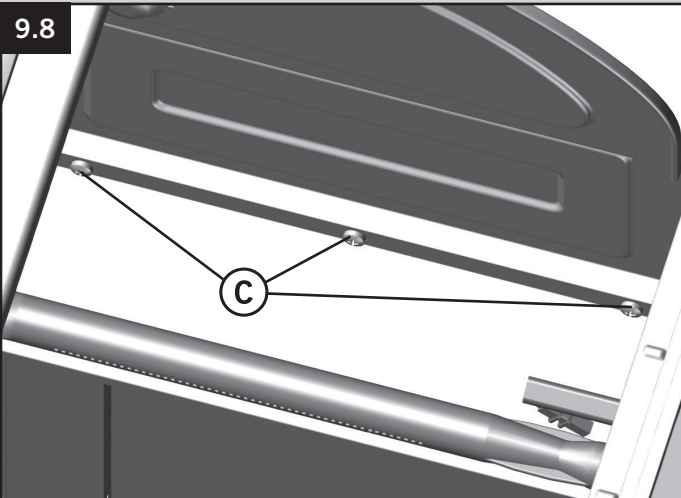
9.6



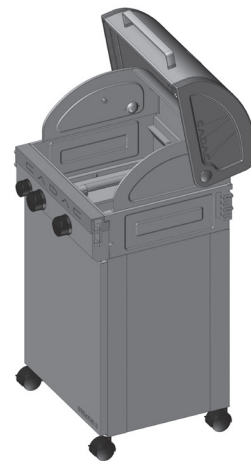
9.7



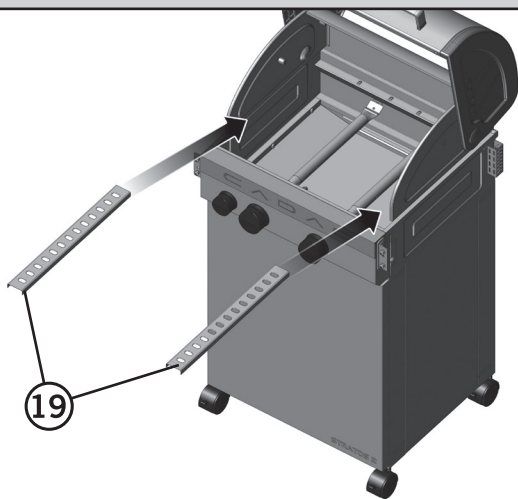
9.8



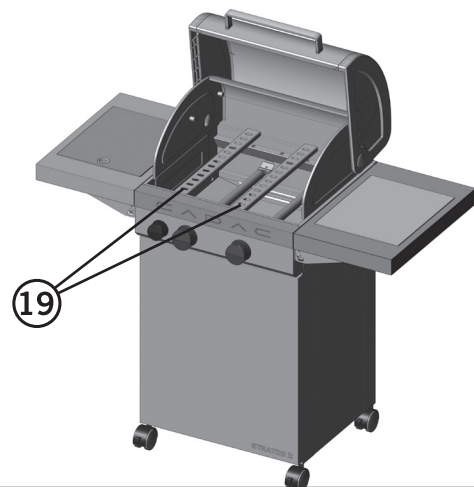
9.9



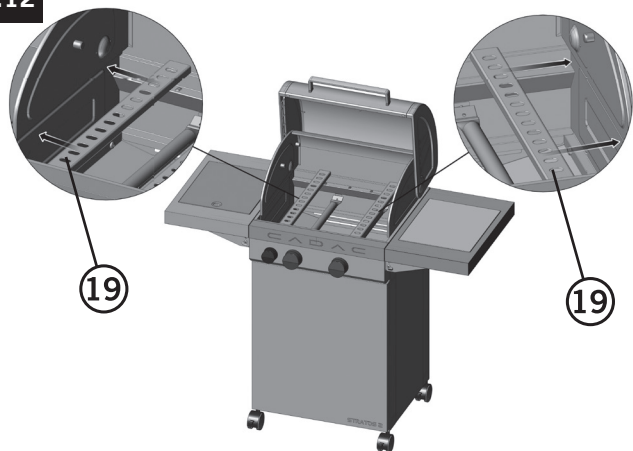
9.10



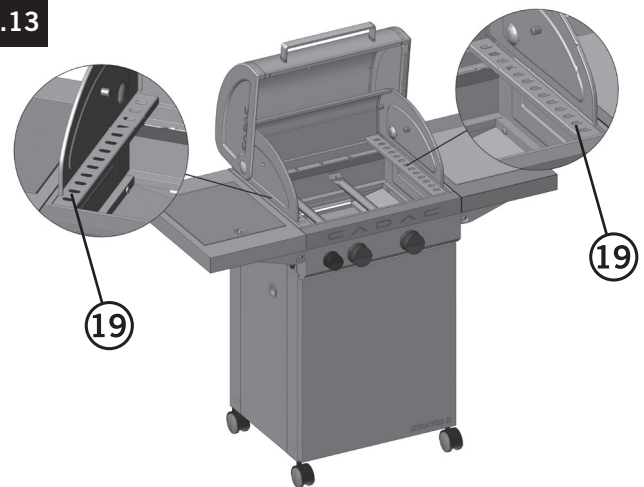
9.11



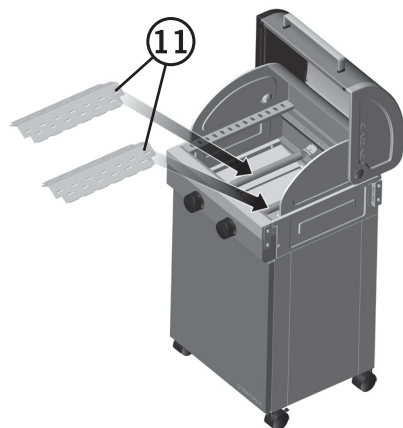
9.12



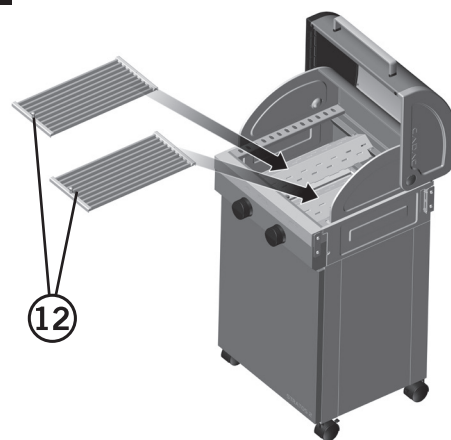
9.13



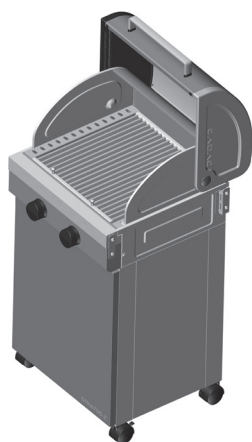
9.14



9.15



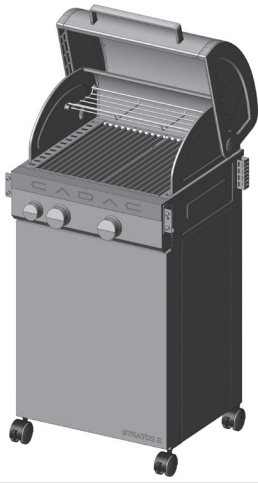
9.16



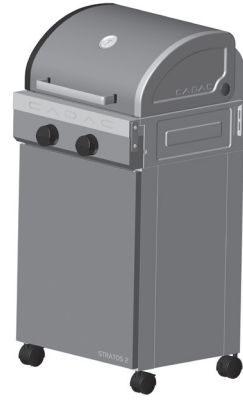
9.17



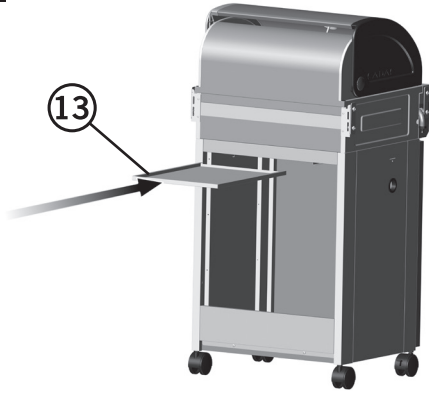
9.18



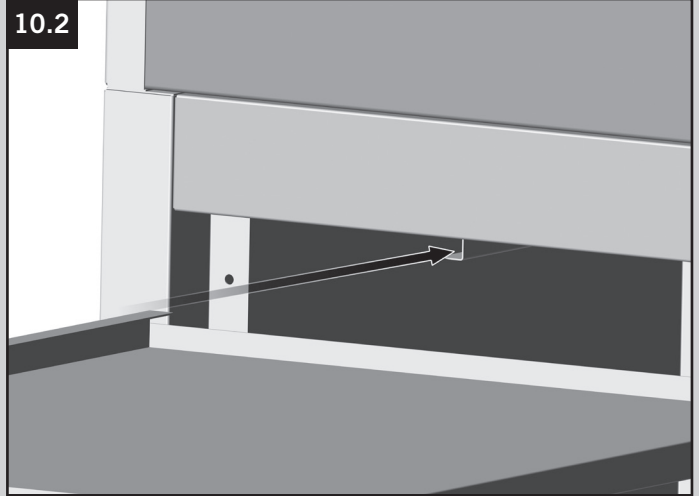
9.19



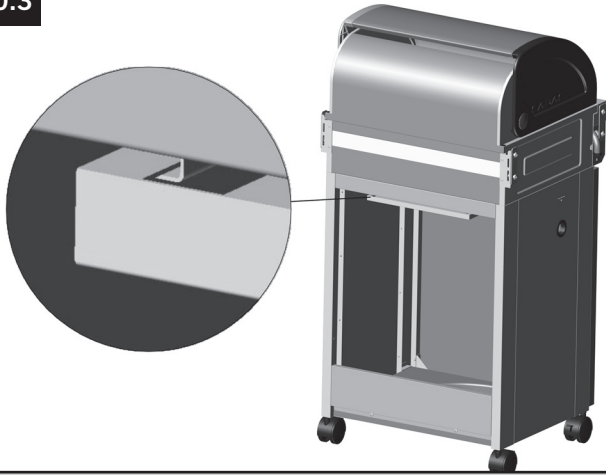
10.1



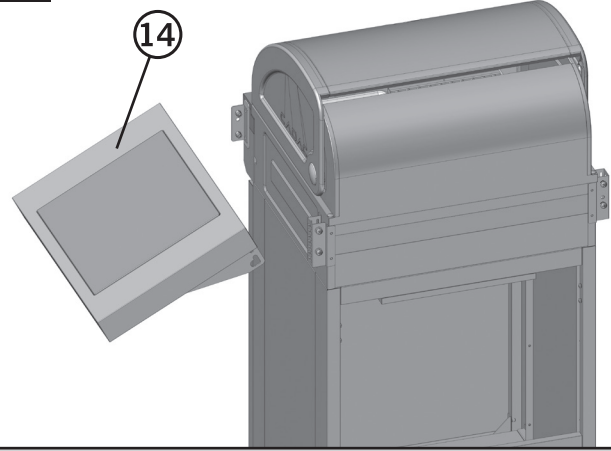
10.2



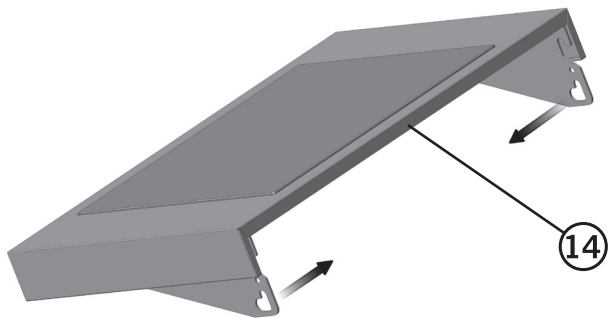
10.3



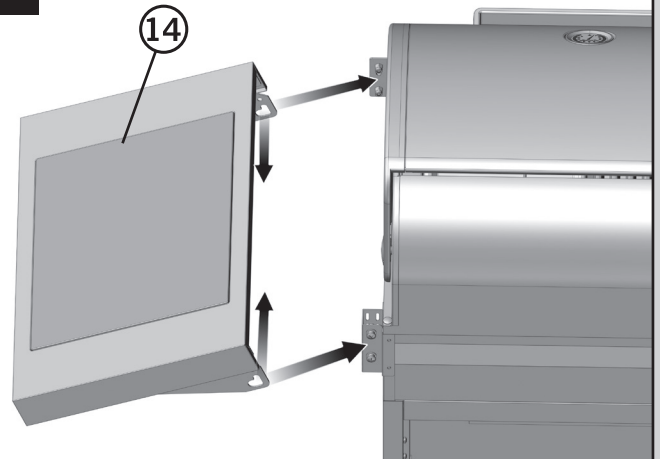
11.1



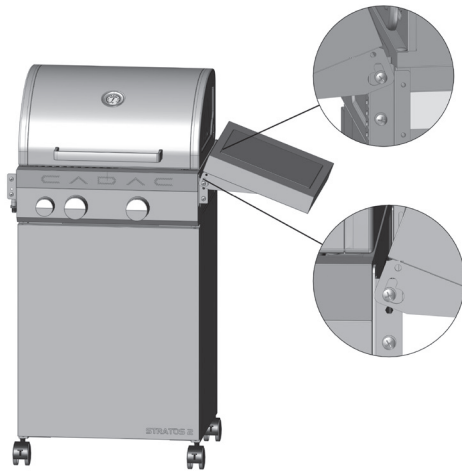
11.2



11.3



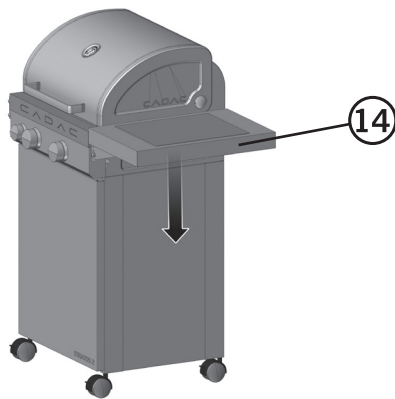
11.4



11.5



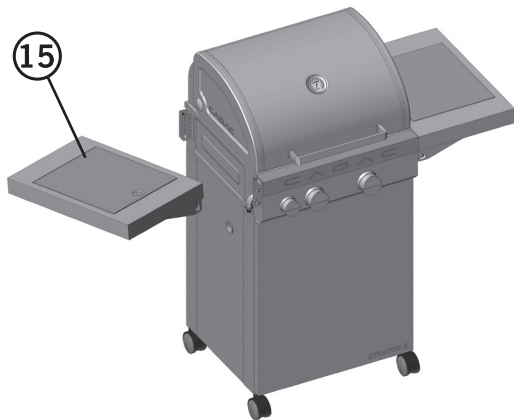
11.6



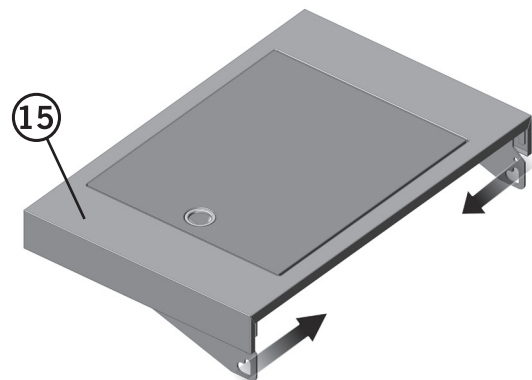
11.7 (98721)

- GB: Repeat Process for left side table
- DE: Wiederholen Sie den Vorgang für die linke Seite Tabelle
- NL: Herhaal de procedure voor de linker bijzettafel
- FR: Répéter l'opération pour la table de gauche
- DK: Gentag processen for venstre sidebord
- NO: Gjenta Prosess for tabellen venstre side
- IT: Ripetere il processo per la tavola a sinistra
- ES: Repita el proceso para la tabla del lado izquierdo
- PL: Powtórz Proces lewej stolik
- SE: Upprepa Process för vänster sidobord

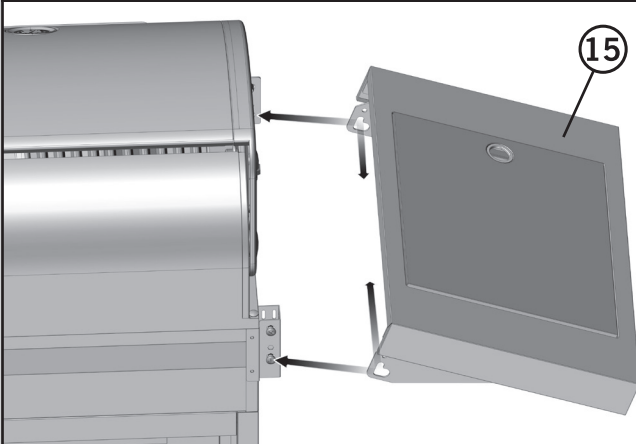
12.1 (98723)



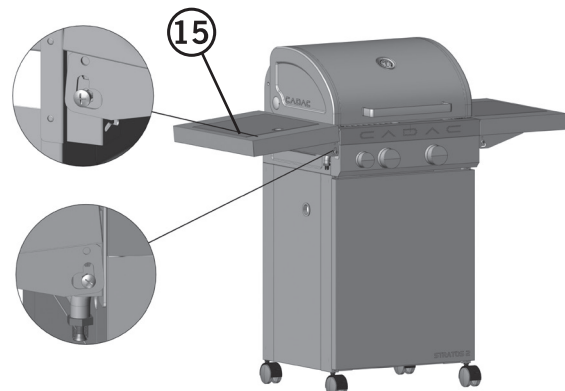
12.2 (98723)



12.3 (98723)



12.4 (98723)



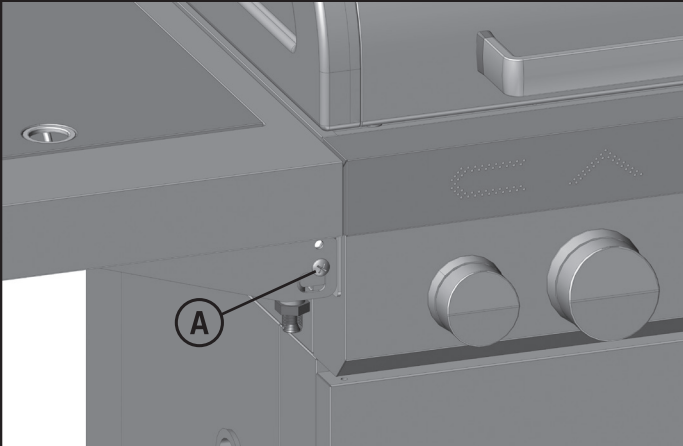
12.5 (98723)



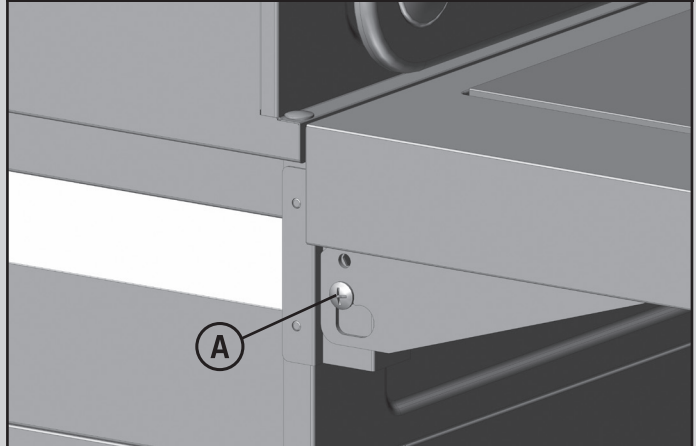
12.6 (98723)



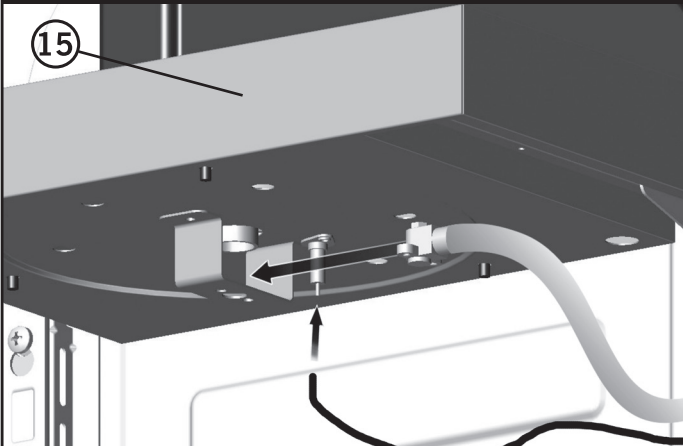
12.7 (98723)



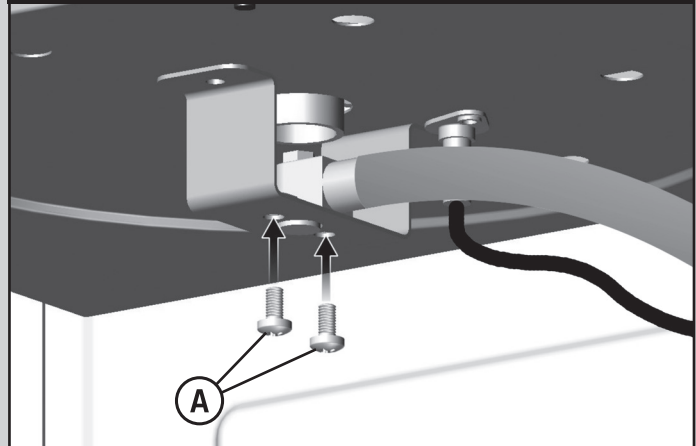
12.8 (98723)



12.9 (98723)



12.10 (98723)



12.11 (98723)

