



# Toddler Tunnel

## Safety Guide & Assembly Instructions™



Shown with optional Slide

**We're Here To Help!**

Call Toll Free **1-888-752-9782**  
Customer Service: Monday - Friday, 8:00 A.M. to 5:00 P.M. C.S.T.

**PS 8878**

# SAFETY

- This product is intended for single-family residential use only, by children ages two to ten and a maximum weight of 105 pounds. Any recommendation over 10 years of age or 105 pounds exceeds the upper limits specified in the American Society for Testing and Materials (ASTM) Home Playground Safety Standard. In order for PlayStar to comply with the ASTM Standard, we cannot recommend anyone above these limits.
- It is a misuse of this product when installed or used in places of public assembly such as schools or parks.
- Follow the instructions provided, do not alter its design in any way.
- Construction requires at least two adults capable of heavy lifting.
- Thoroughly read all safety instructions before beginning.
- Children must remain clear of construction site until this product is properly installed and ready for use.
- Save these instructions in the event the manufacturer has to be contacted.

## The Consumer Product Safety Commission provides the following consumer information for your Home Playground Equipment

### Select Protective Surfacing

One of the most important things you can do to reduce the likelihood of serious head injuries is to install shock-absorbing protective surfacing under and around your play equipment. The protective surfacing should be applied to a depth that is suitable for the equipment height in accordance with ASTM F1292. There are different types of surfacing to choose from; whichever product you select, follow these guidelines:

*NOTE: Do not install home playground equipment over concrete, asphalt, packed earth, grass, carpet or any other hard surface. A fall onto a hard surface can result in serious injury or death to the equipment user. Grass and dirt are not considered protective surfacing because wear and environmental factors can reduce their shock absorbing effectiveness. Carpeting and thin mats are generally not adequate protective surfacing. Ground level equipment -- such as a sandbox, activity wall, playhouse or other equipment that has no elevated play surface -- does not need any protective surfacing.*

### Loose-Fill Materials

PlayStar Playsets require fall-height protection from eight feet.

- Maintain a minimum depth of 9 inches of loose-fill materials such as wood mulch / chips, engineered wood fiber (EWF), or shredded/recycled rubber mulch for

equipment up to 8 feet high. NOTE: An initial fill level of 12 inches will compress to about a 9-inch depth of surfacing over time. The surfacing will also compact, displace, and settle, and should be periodically refilled to maintain at least a 9-inch depth.

- Use containment, such as digging out around the perimeter and/or lining the perimeter with landscape edging. Don't forget to account for water drainage.
- Check and maintain the depth of the loose-fill surfacing material. To maintain the right amount of loose-fill materials, mark the correct level on play equipment support posts. That way you can easily see when to replenish and/or redistribute the surfacing.
- **Do not** install loose fill surfacing over hard surfaces such as concrete or asphalt.

### Poured-In-Place Surfaces or Pre-Manufactured Rubber Tiles

You may be interested in using surfacing other than loose-fill materials -- like rubber tiles or poured-in-place surfaces.

- Installations of these surfaces generally require a professional and are not "do-it-yourself" projects.
- Review surface specifications before purchasing this type of surfacing. Ask the installer/manufacturer for a report showing that the product has been tested to the following safety standard: ASTM F1292 *Standard Specification for Impact Attenuation of Surfacing Materials within the Use Zone of Playground Equipment*. This report should show the specific height for which the surface is intended to protect against serious head injury.

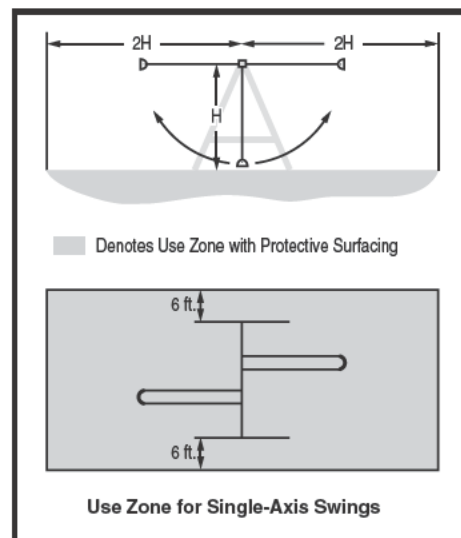
This height should be equal to or greater than the *fall height* - vertical distance between a designated play surface (*elevated surface for standing, sitting, or climbing*) and the protective surfacing below - of your play equipment.

- Check the protective surfacing frequently for wear.

### Placement

Proper placement and maintenance of protective surfacing is essential. Be sure to;

- Extend surfacing at least 6 feet from the equipment in all directions.
- For to-fro swings, extend protective surfacing in front of and behind the swing to a distance equal to twice the height of the top bar from which the swing is suspended.



# SAFETY

## INSTALLATION:

1. Follow the instructions provided, do not alter its design in any way.
2. Place the equipment on level ground, not less than 6' (1.8m) from any structure or obstruction such as a fence, garage, house, overhanging branches, laundry lines or electrical wires. If the area where you will be installing your playset is not level, you must make it level.
3. Playsets must be anchored to the ground. Follow the anchoring instructions provided with your building kit. If soil conditions permit anchors to be pulled out easily, such as in sandy soil conditions, cementing is required.
4. Tighten all bolts securely to the intended member then cut off all protruding threaded ends of bolts with a hack saw **flush to the end of the nut** and remove sharp edges with a metal file.

**WARNING:** Children must not use the playset until properly installed and proper shock-absorbing surfacing material is in place.

**OPERATION:** *Observing and following statements and warnings reduces the likelihood of serious or fatal injury.*

1. On-site adult supervision is recommended for children of all ages.

2. Only one child, for each single planned seat or single planned activity should be allowed on this set at one time, with a maximum weight of **105 pounds** for each child.

**WARNING:** You must teach children the following:

- A. **Not** to walk close to, in front of, behind, or between moving items.
- B. **Not** to twist swing chains or ropes or loop them over the top support bar since this may reduce the strength of the chain or rope.
- C. **Avoid** swinging empty seats.
- D. **To Sit** in the center of the swings with their full weight on the seats.
- E. **Not** to use the equipment in a manner other than intended.
- F. **Not** to get off equipment while it is in motion.
- G. **Not** to climb when equipment is wet.
- H. **Not** to attach items to the playground equipment that are not specifically designed for use with the equipment such as, but not limited to, jump ropes, clothesline, pet leashes, cables and chain as they may cause a strangulation hazard.

1. **Remove** bike or other sports helmet before playing on the playground equipment.
3. Verify that suspended climbing ropes are secured at both ends and that they cannot be looped back on themselves.

4. Dress children appropriately and do not allow them to wear inappropriate items, such as but not limited to, loose fitting clothing, hood and neck draw strings, scarves, cord-connected items, capes, and ponchos. These items can cause death by strangulation. Provide well-fitting and full enclosure footwear. Examples of inappropriate footwear are clogs, flip flops, and sandals.
5. Verify that all suspended swinging components have at least 8" clearance between the lowest point of component and top of shock-absorbing surfacing material.

**WARNING:** Lawn swings are designed for use by children two years of age and older. Use by children under the age of two can result in entrapment between the seat and backrest. **NEVER** place children in a rearward facing position or with legs between the seat and backrest because the child's body may pass through the opening causing entrapment of the child's head.

## DISPOSAL:

When the playset is to be retired from service, disassemble and dispose of in such a way that no unreasonable hazards will exist. Follow your local disposal requirements.

## ANNUAL MAINTENANCE CHECKLIST

(Copy this section as needed and maintain for your records or visit [www.playstarinc.com/maintenance](http://www.playstarinc.com/maintenance))

**At the beginning of play season:** Date: \_\_\_\_\_

- Tighten all hardware.
- Lubricate all metallic moving parts per manufacturer's instructions.
- Check all protective coverings on bolts, pipes, edges, and corners. Replace if they are loose, cracked, or missing.
- Check all moving parts including swing seats, ropes, cables, and chains for wear, rust, or other deterioration. Replace as needed.
- Check metal parts for rust. If found, sand and repaint using a nonlead-based paint meeting the requirements of 16 CFR 1303.
- Check all wood members for deterioration and splinters. Sand down splinters and replace deteriorating wood members.
- Reinstall any plastic parts, such as swing seats or any other items that were removed for the cold season.
- Rake and check depth of loose fill protective surfacing materials to prevent compaction and to maintain appropriate depth. Replace as necessary.

**Twice a month during play season:** Date: \_\_\_\_\_

- Tighten all hardware.
- Check all protective coverings on bolts, pipes, edges, and corners. Replace if they are loose, cracked, or missing.
- Rake and check depth of loose fill protective surfacing materials to prevent compaction and to maintain appropriate depth. Replace as necessary.

**Once a month during play season:** Date: \_\_\_\_\_

- Lubricate all metallic moving parts per manufacturer's instructions.
- Check all moving parts including swing seats, ropes, cables, and chains for wear, rust, or other deterioration. Replace as needed.

**At the end of each play season or when the temperature drops below 0° F:** Date: \_\_\_\_\_

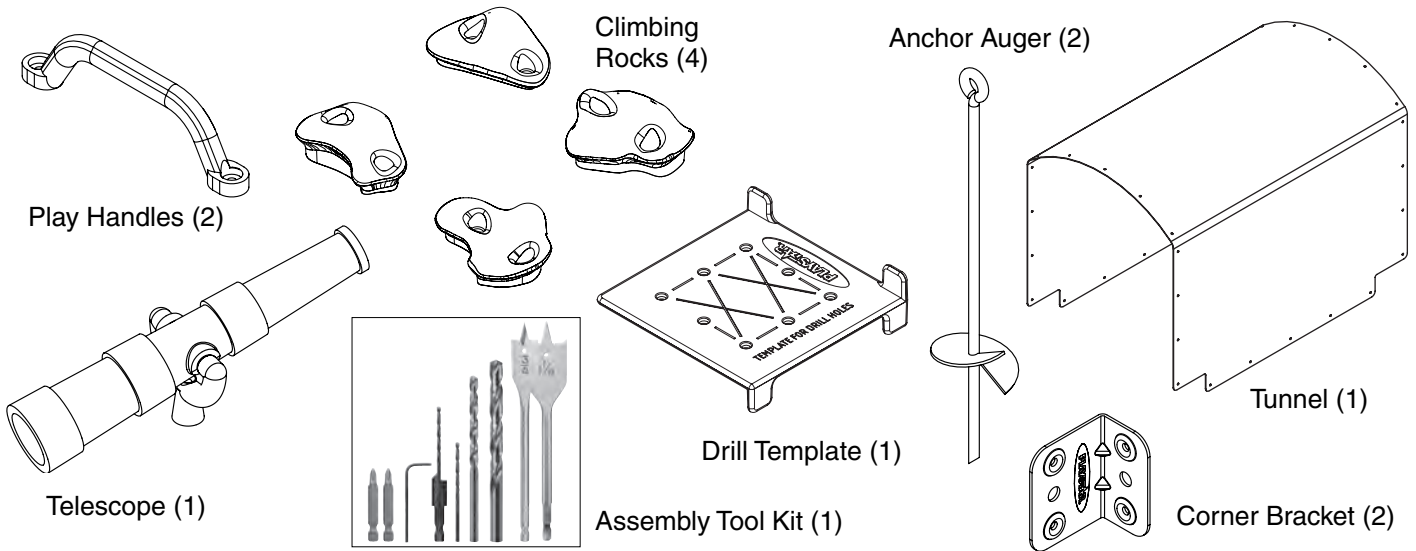
- Remove plastic swing seats and other items as specified by the manufacturer and take indoors or do not use.
- Rake and check depth of loose fill protective surfacing materials to prevent compaction and to maintain appropriate depth. Replace as necessary.

**Owner shall be responsible for maintaining the legibility of any warning labels.**

**If any of these conditions exist, call 1-888-752-9782 for ordering information.**

Clean plastic components with warm water and a mild detergent such as dish soap.

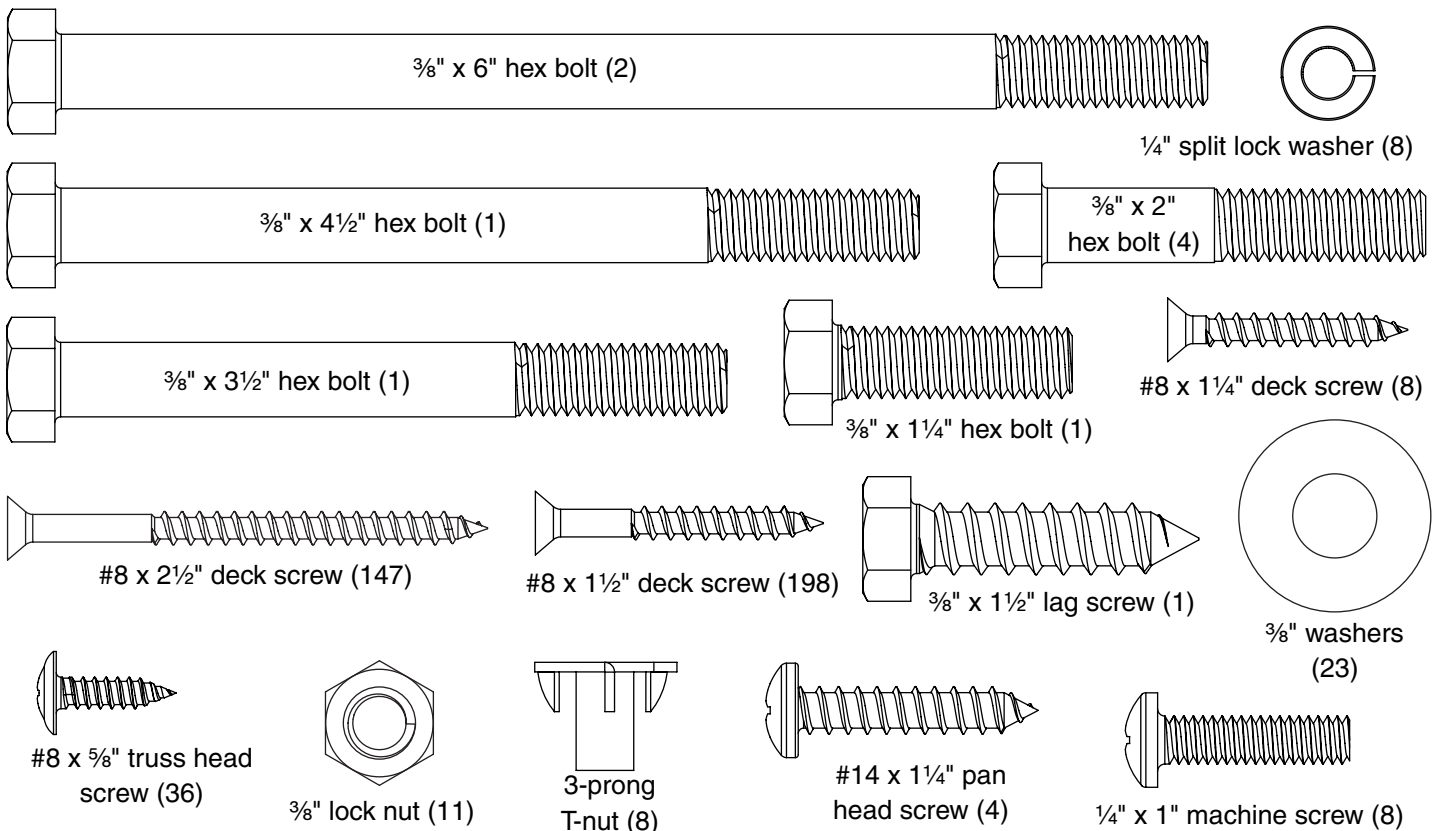
# COMPONENTS INCLUDED (not actual size)



# TOOLS REQUIRED

- |        |                   |                                   |
|--------|-------------------|-----------------------------------|
| Level  | Adjustable Wrench | Safety Glasses                    |
| Square | Socket Wrench     | Screwdriver (regular or phillips) |
| Pencil | Drill             | Shovel                            |
| Hammer | Tape Measure      | 1/16" Socket                      |

# HARDWARE INCLUDED (shown actual size)

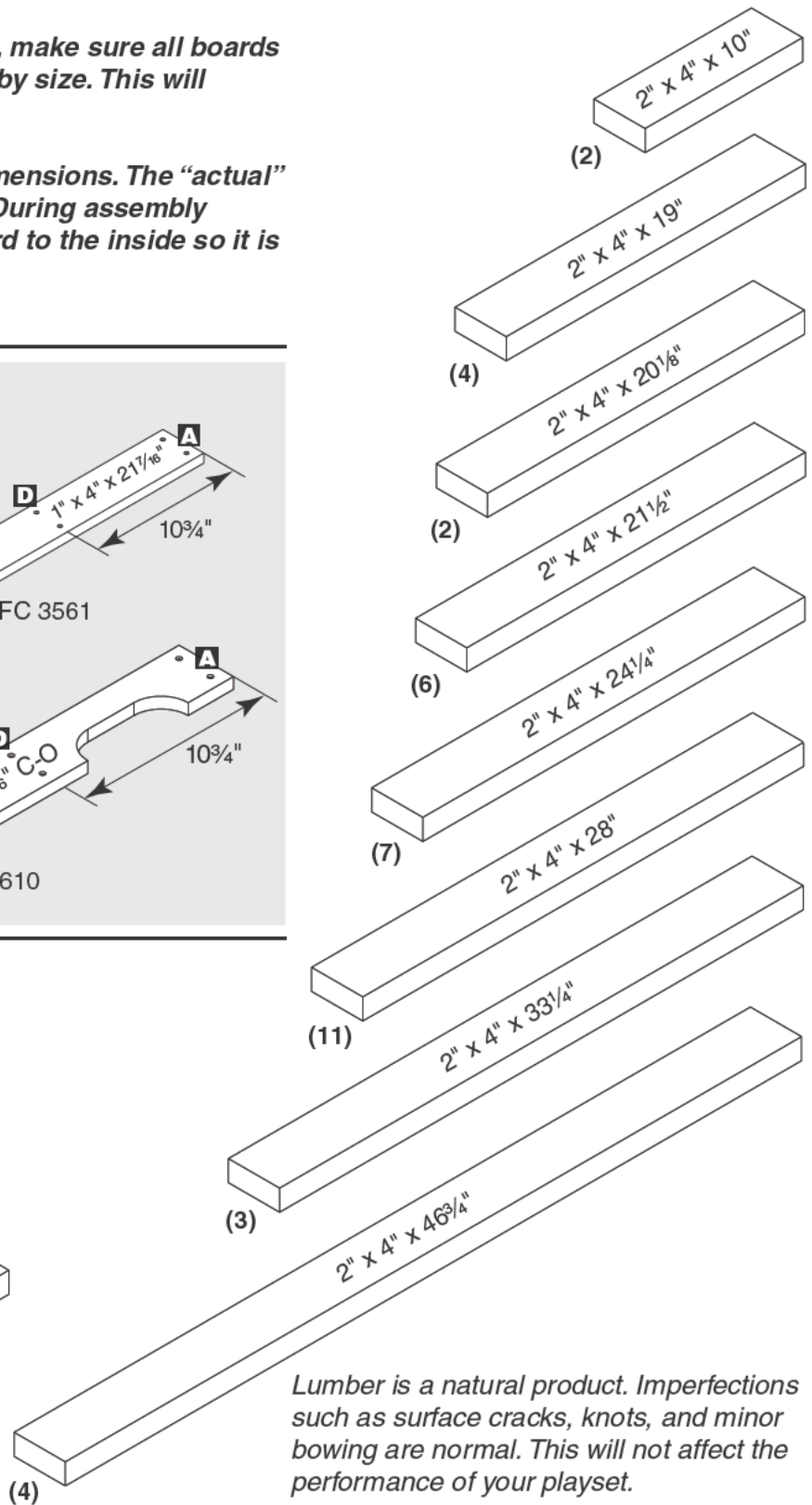
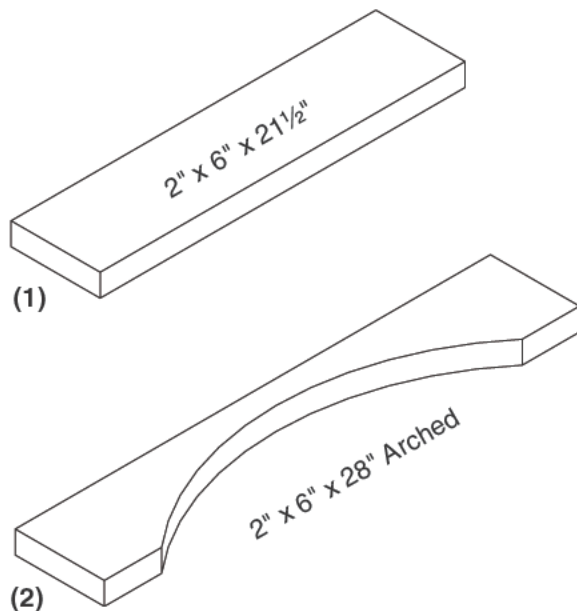
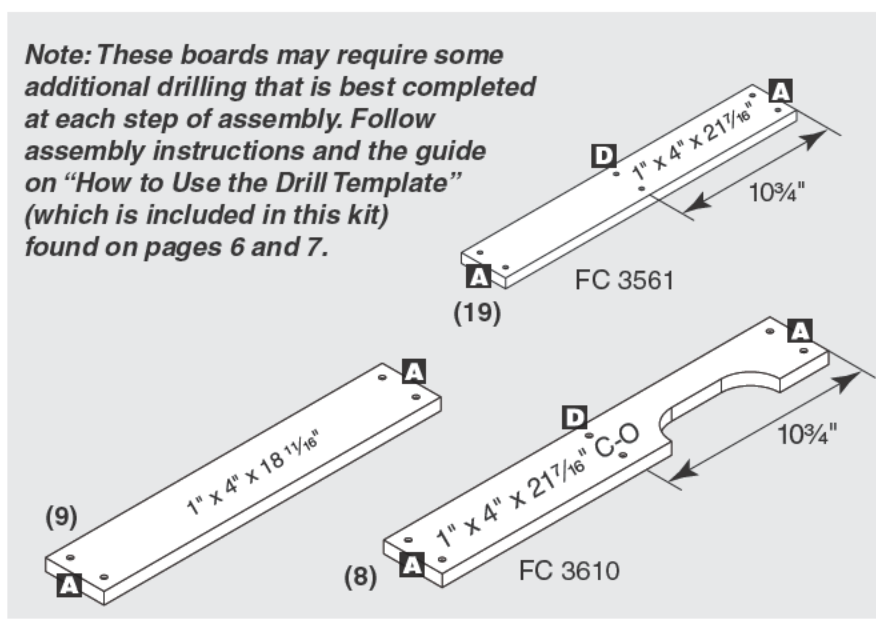


# BOARDS INCLUDED

Before starting to assemble your playset, make sure all boards and hardware are identified and stacked by size. This will improve your assembly time.

All boards are identified by "nominal" dimensions. The "actual" width and thickness of boards will vary. During assembly process, hide the marked end of the board to the inside so it is not visible on your completed playset.

Note: These boards may require some additional drilling that is best completed at each step of assembly. Follow assembly instructions and the guide on "How to Use the Drill Template" (which is included in this kit) found on pages 6 and 7.



Lumber is a natural product. Imperfections such as surface cracks, knots, and minor bowing are normal. This will not affect the performance of your playset.

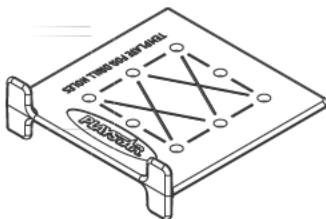
Minor bowing can be straightened when attaching the boards during the assembly process.

# TEMPLATE and DRILLING INSTRUCTIONS

Your building kit includes a **Drill Template** to help you create some of the pilot holes needed to build your playset.

Position the template and mark only the holes that need to be drilled according to the patterns shown below. Remove the template.

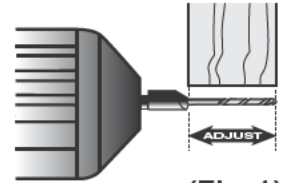
**Warning: Do not drill holes through the template as you may damage the template.**



If you have a  $\frac{1}{8}$ " drill bit/countersink tool, set the drill bit depth to the thickness of the board. (Fig. 1)

Drill locations as marked.

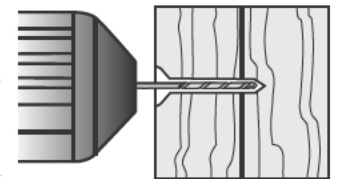
**Warning: Do not countersink deeper than the depth of the screw head.**



(Fig. 1)

In the assembly instructions, you will be asked to attach the countersunk and predrilled boards with #8 x 2½" deck screws.

To make this process easier, use the predrilled boards as templates for drilling pilot holes into the second boards. (Fig. 2)



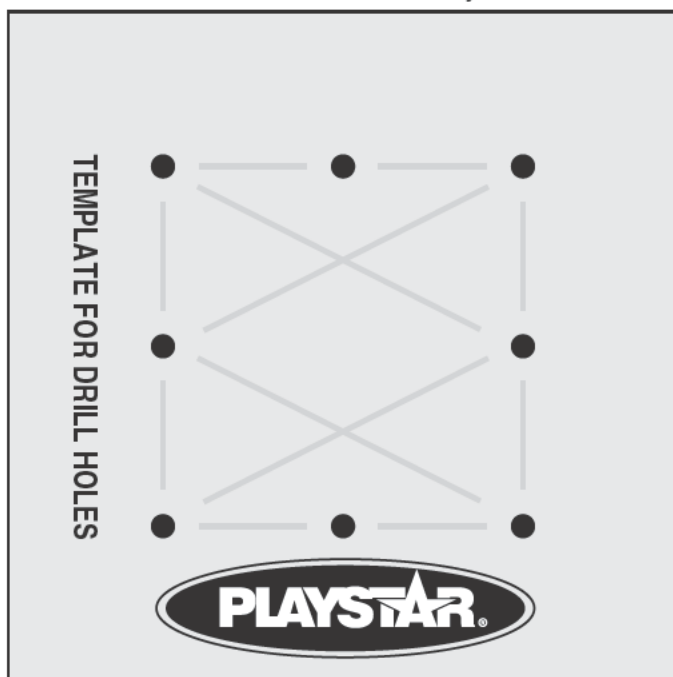
(Fig. 2)

**Note: A second drill will make this process easier by eliminating multiple changes between drill bit and countersink bit.**

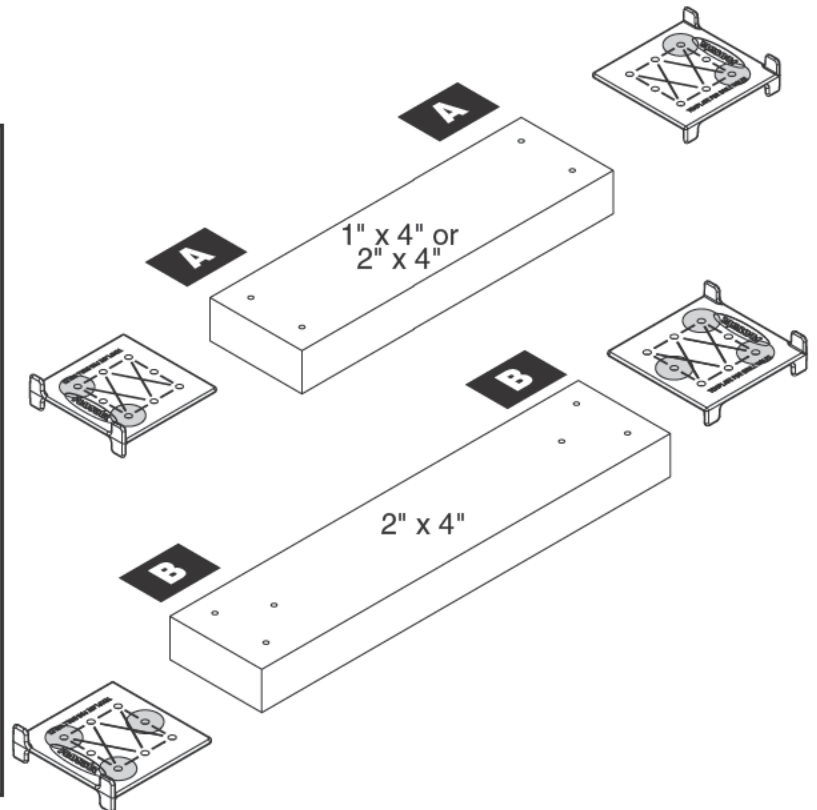
## PLEASE NOTE: Letters represent pattern not position

**Note: When the PlayStar logo is showing, the three tabs on the bottom will position the template square with any two edges. When the arrow is showing, the two tabs on the bottom will position the template square with one edge only, which will allow you to slide the template anywhere along the board.**

The rigid version of the template like the one shown here can be found inside your kit.



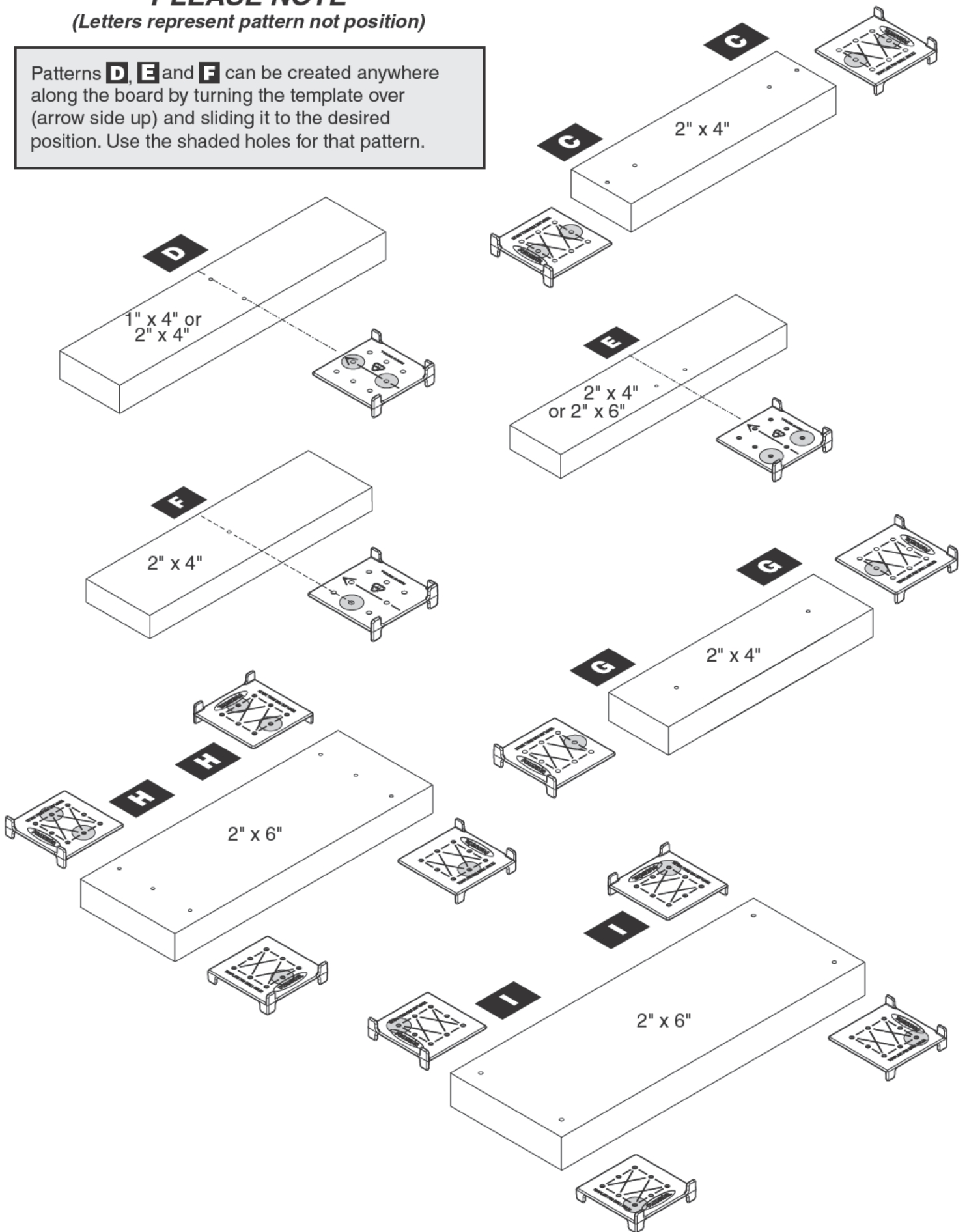
Actual Size Template



# PLEASE NOTE

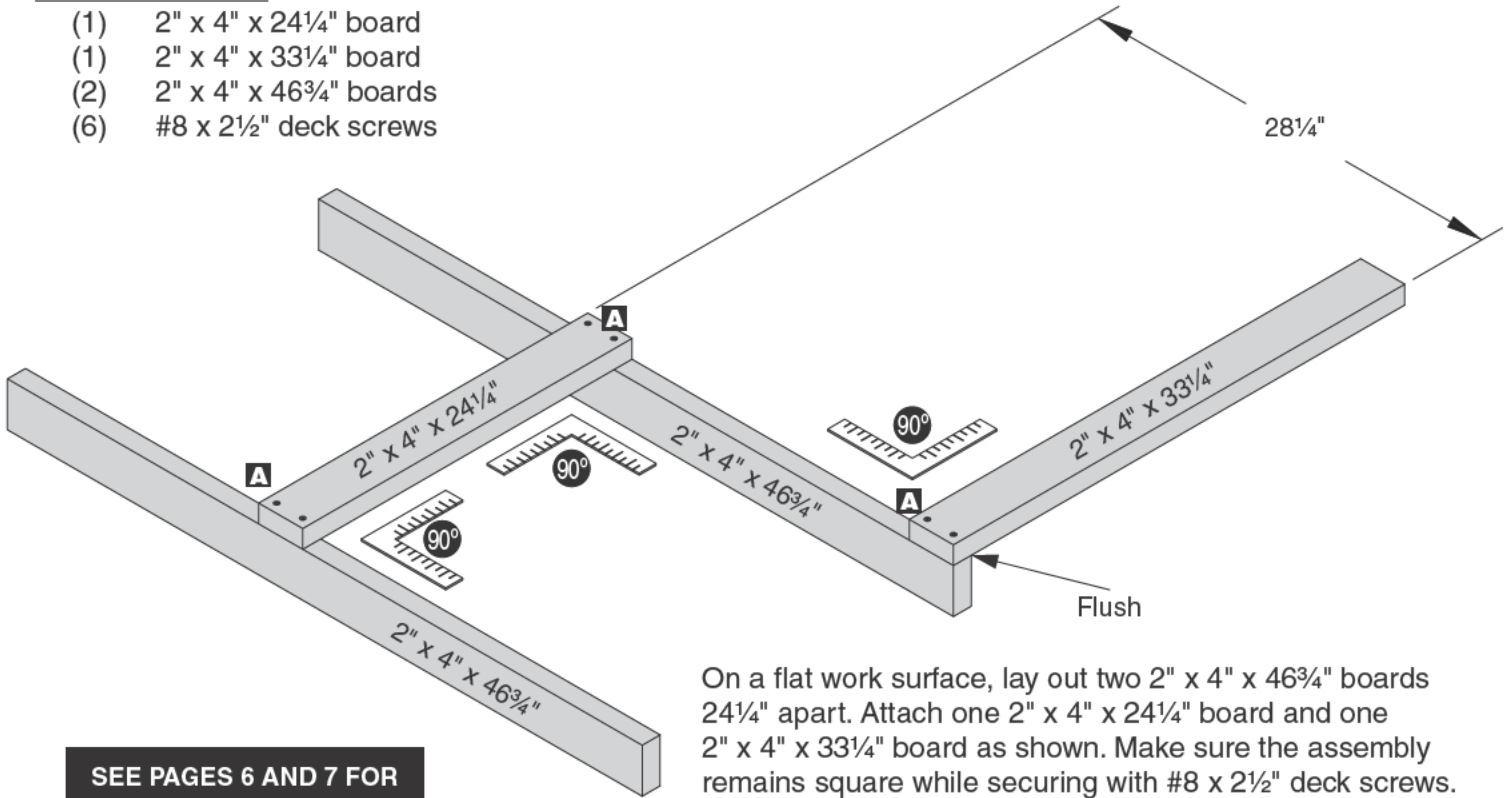
(Letters represent pattern not position)

Patterns **D**, **E** and **F** can be created anywhere along the board by turning the template over (arrow side up) and sliding it to the desired position. Use the shaded holes for that pattern.



**Items for STEP 1:**

- (1) 2" x 4" x 24 $\frac{1}{4}$ " board
- (1) 2" x 4" x 33 $\frac{1}{4}$ " board
- (2) 2" x 4" x 46 $\frac{3}{4}$ " boards
- (6) #8 x 2 $\frac{1}{2}$ " deck screws

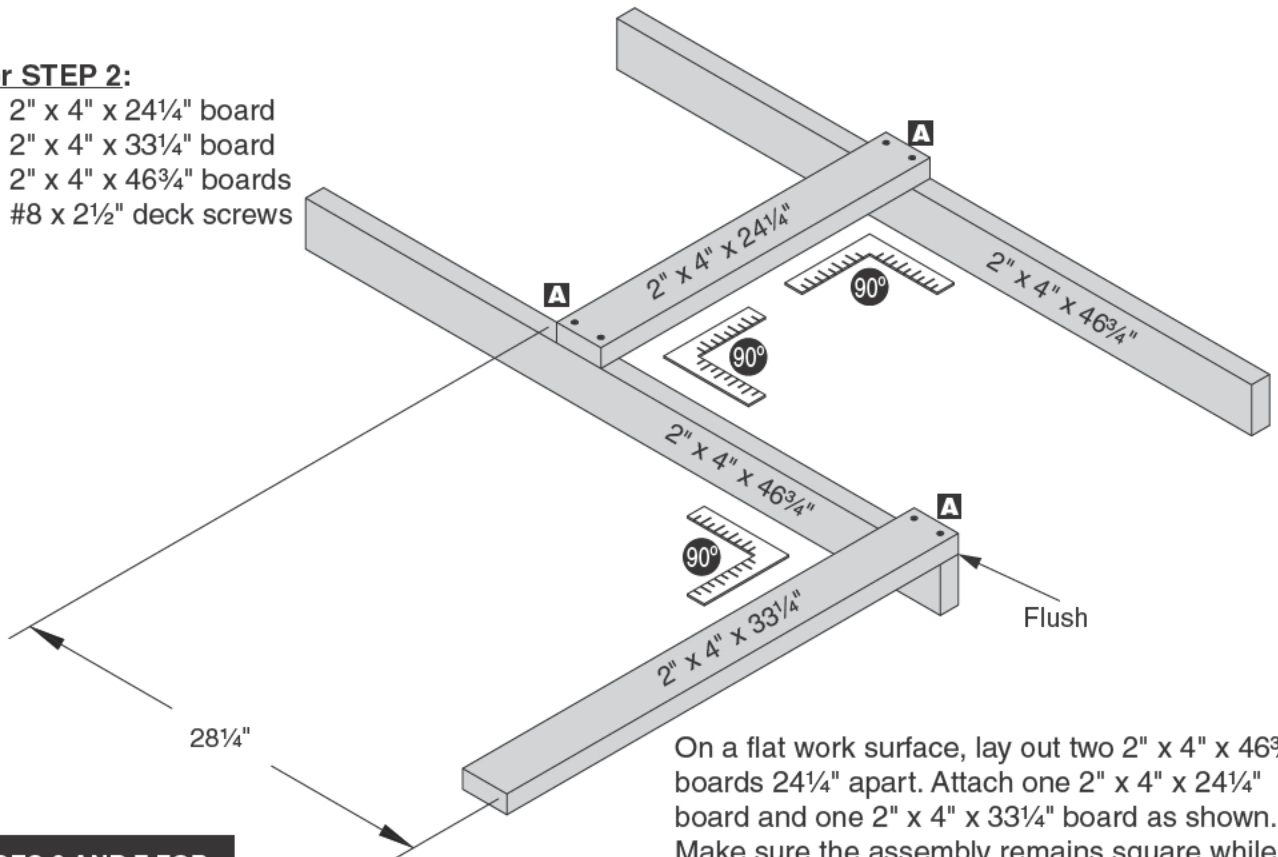


On a flat work surface, lay out two 2" x 4" x 46 $\frac{3}{4}$ " boards 24 $\frac{1}{4}$ " apart. Attach one 2" x 4" x 24 $\frac{1}{4}$ " board and one 2" x 4" x 33 $\frac{1}{4}$ " board as shown. Make sure the assembly remains square while securing with #8 x 2 $\frac{1}{2}$ " deck screws.

**SEE PAGES 6 AND 7 FOR HOLE PATTERNS**

**Items for STEP 2:**

- (1) 2" x 4" x 24 $\frac{1}{4}$ " board
- (1) 2" x 4" x 33 $\frac{1}{4}$ " board
- (2) 2" x 4" x 46 $\frac{3}{4}$ " boards
- (6) #8 x 2 $\frac{1}{2}$ " deck screws



On a flat work surface, lay out two 2" x 4" x 46 $\frac{3}{4}$ " boards 24 $\frac{1}{4}$ " apart. Attach one 2" x 4" x 24 $\frac{1}{4}$ " board and one 2" x 4" x 33 $\frac{1}{4}$ " board as shown. Make sure the assembly remains square while securing with #8 x 2 $\frac{1}{2}$ " deck screws.

**SEE PAGES 6 AND 7 FOR HOLE PATTERNS**



**Items for STEP 3:**

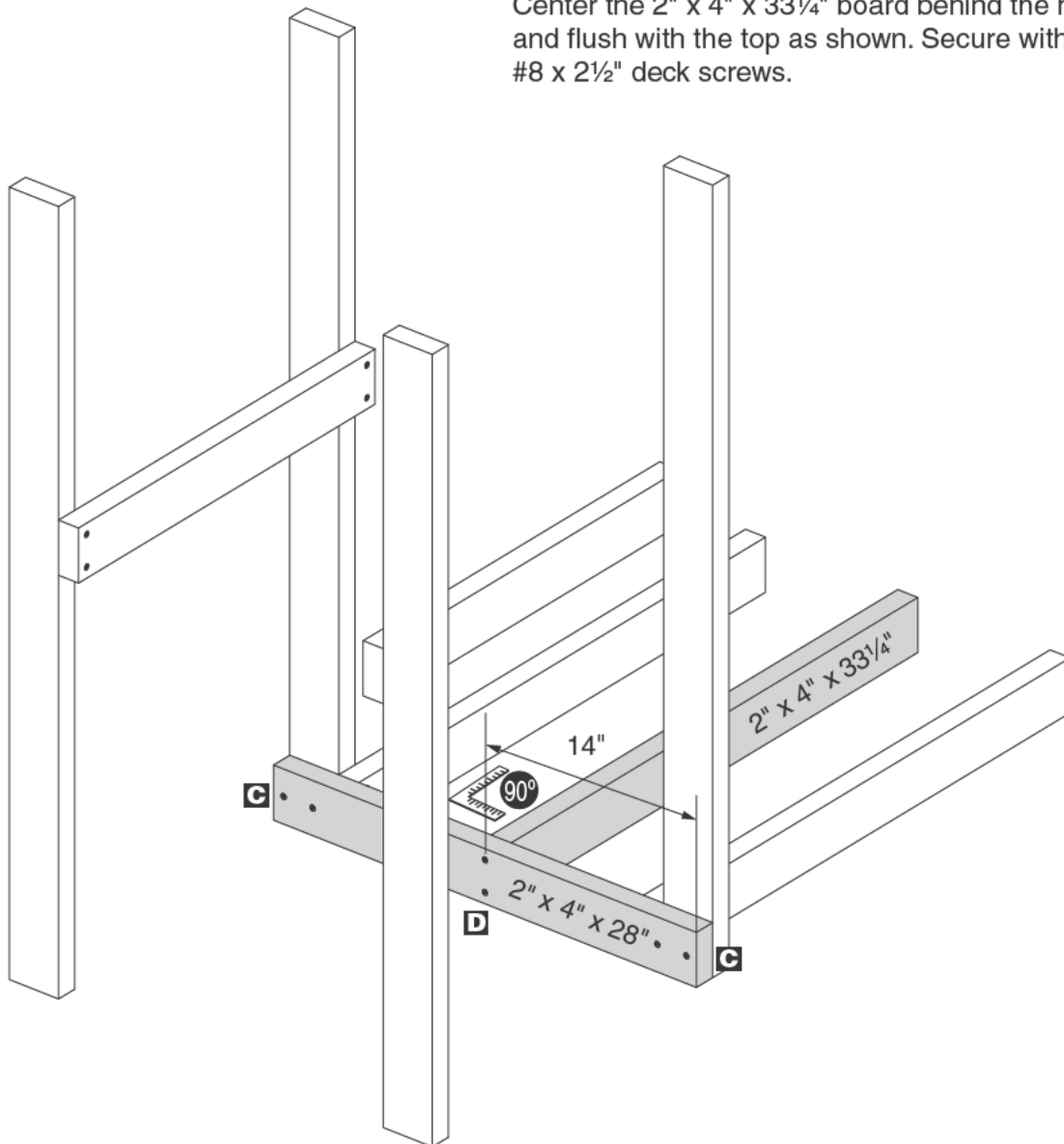
- (1) STEP 1 assembly
- (1) STEP 2 assembly
- (1) 2" x 4" x 28" board
- (1) 2" x 4" x 33¼" board
- (6) #8 x 2½" deck screws

Stand left (Step 1) and right side (Step 2) assemblies up as shown approximately 28" apart.

Pre-drill the 2" x 4" x 28" board at the dimension shown.

Attach one pre-drilled 2" x 4" x 28" board as shown. Make sure assembly remains square while securing with #8 x 2½" deck screws.

Center the 2" x 4" x 33¼" board behind the holes and flush with the top as shown. Secure with #8 x 2½" deck screws.



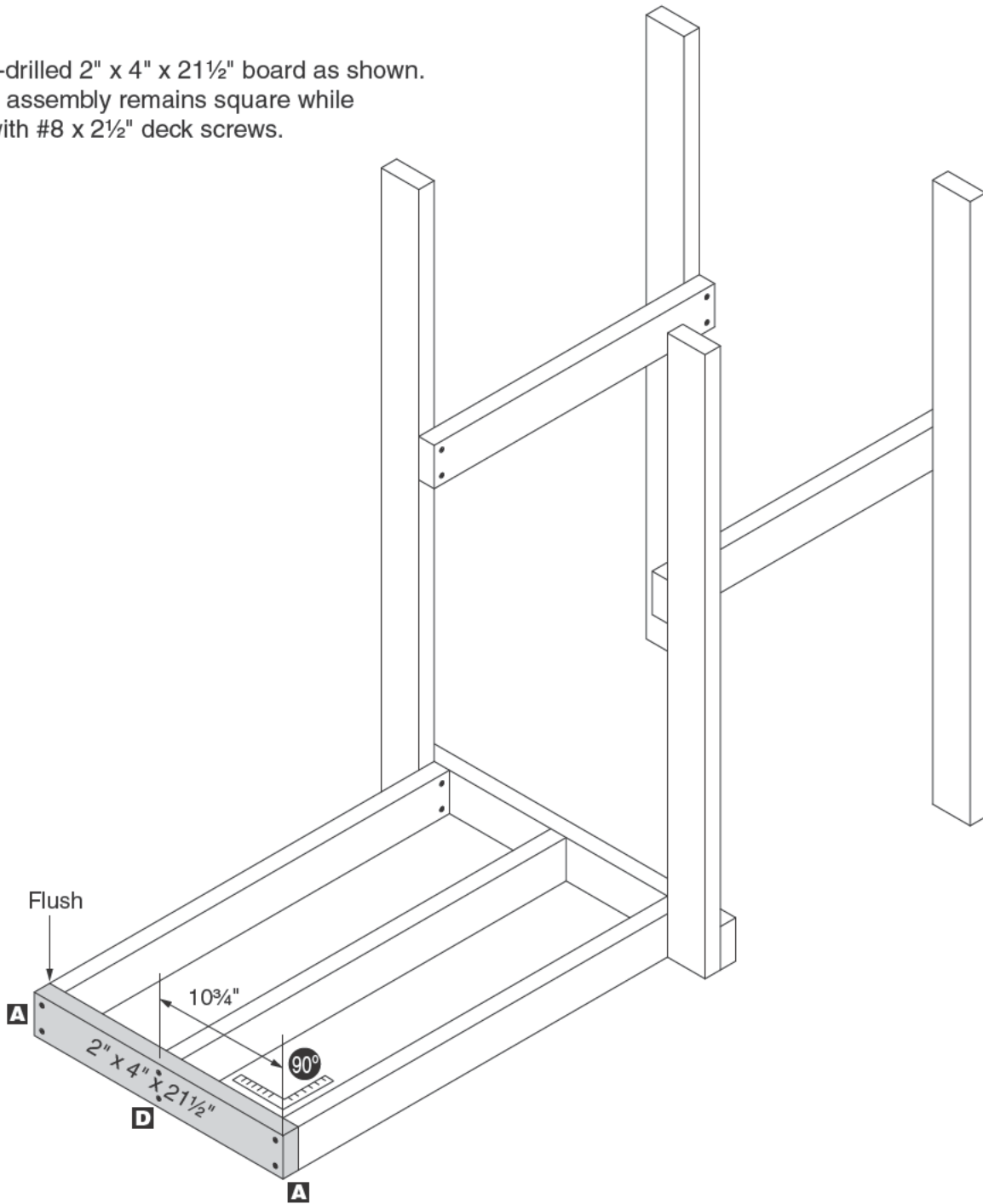
**SEE PAGES 6 AND 7 FOR  
HOLE PATTERNS**

**Items for STEP 4:**

- (1) 2" x 4" x 21½" board
- (6) #8 x 2½" deck screws

Pre-drill the 2" x 4" x 21½" board at the dimensions shown.

Attach pre-drilled 2" x 4" x 21½" board as shown. Make sure assembly remains square while securing with #8 x 2½" deck screws.



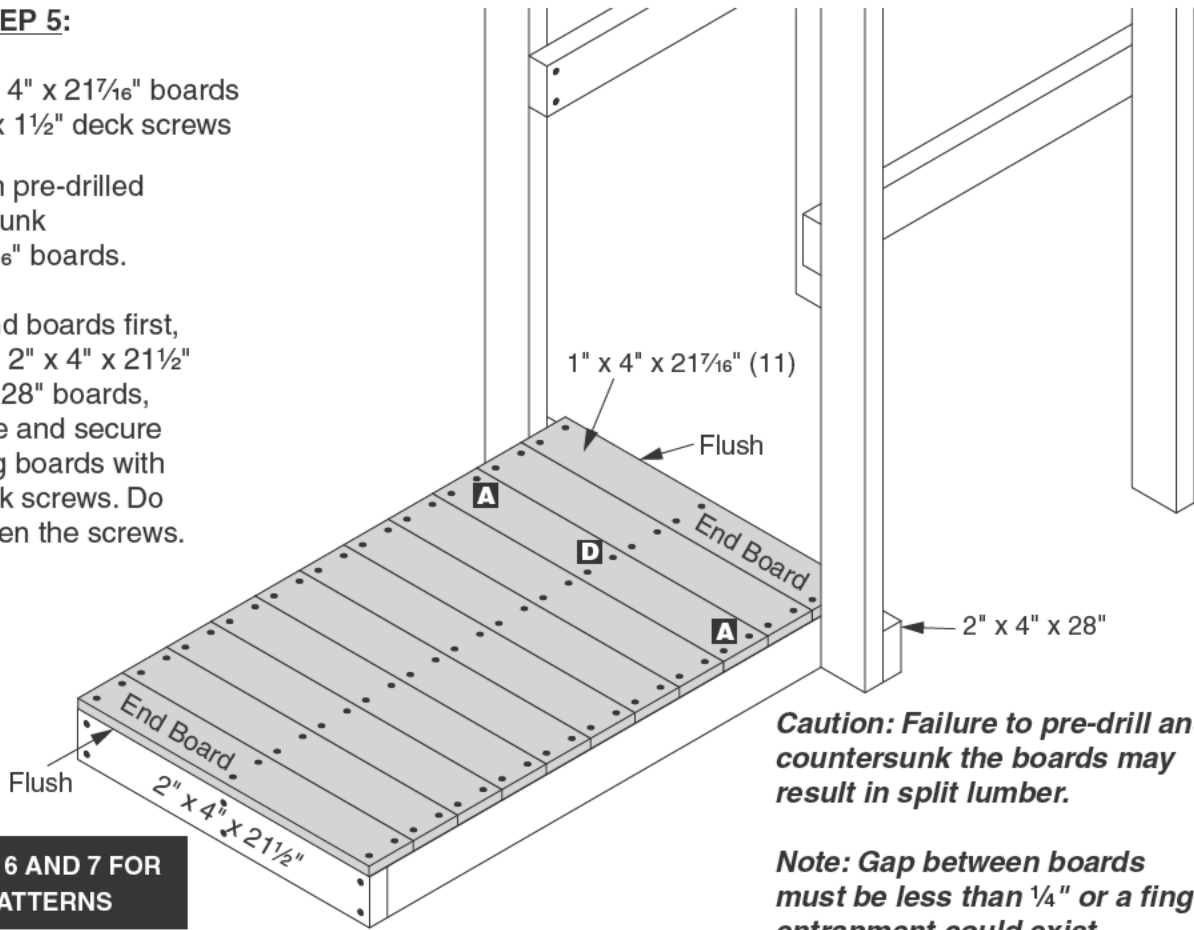
**SEE PAGES 6 AND 7 FOR HOLE PATTERNS**

**Items for STEP 5:**

- (11) 1" x 4" x 21<sup>7</sup>/<sub>16</sub>" boards
- (66) #8 x 1<sup>1</sup>/<sub>2</sub>" deck screws

Attach eleven pre-drilled and countersunk 1" x 4" x 21<sup>7</sup>/<sub>16</sub>" boards.

Attach the end boards first, flush with the 2" x 4" x 21<sup>1</sup>/<sub>2</sub>" and 2" x 4" x 28" boards, equally space and secure the remaining boards with #8 x 1<sup>1</sup>/<sub>2</sub>" deck screws. Do not over tighten the screws.



**SEE PAGES 6 AND 7 FOR HOLE PATTERNS**

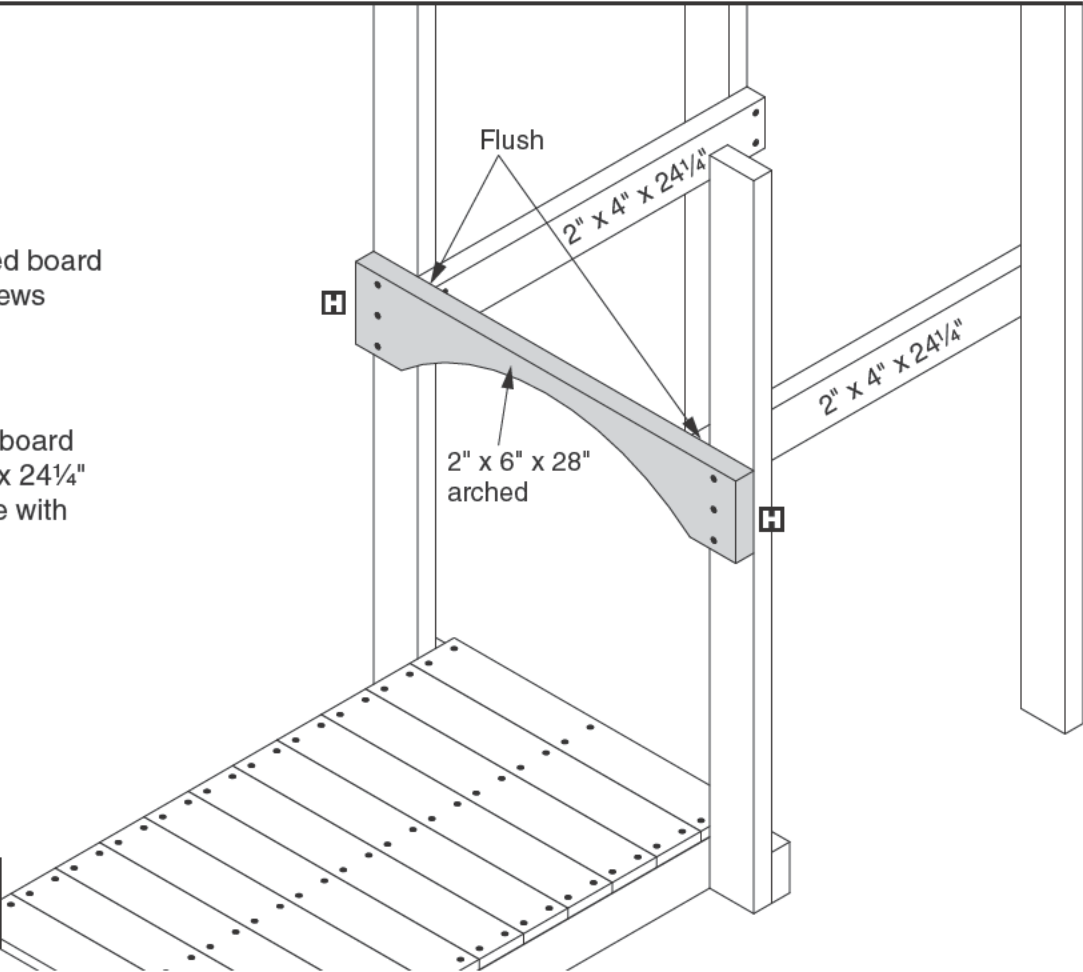
**Caution:** Failure to pre-drill and countersunk the boards may result in split lumber.

**Note:** Gap between boards must be less than 1/4" or a finger entrapment could exist.

**Items for STEP 6:**

- (1) 2" x 6" x 28" arched board
- (6) #8 x 2<sup>1</sup>/<sub>2</sub>" deck screws

Attach 2" x 6" x 28" arched board flush with the top of 2" x 4" x 24<sup>1</sup>/<sub>4</sub>" and sides as shown. Secure with #8 x 2<sup>1</sup>/<sub>2</sub>" deck screws.

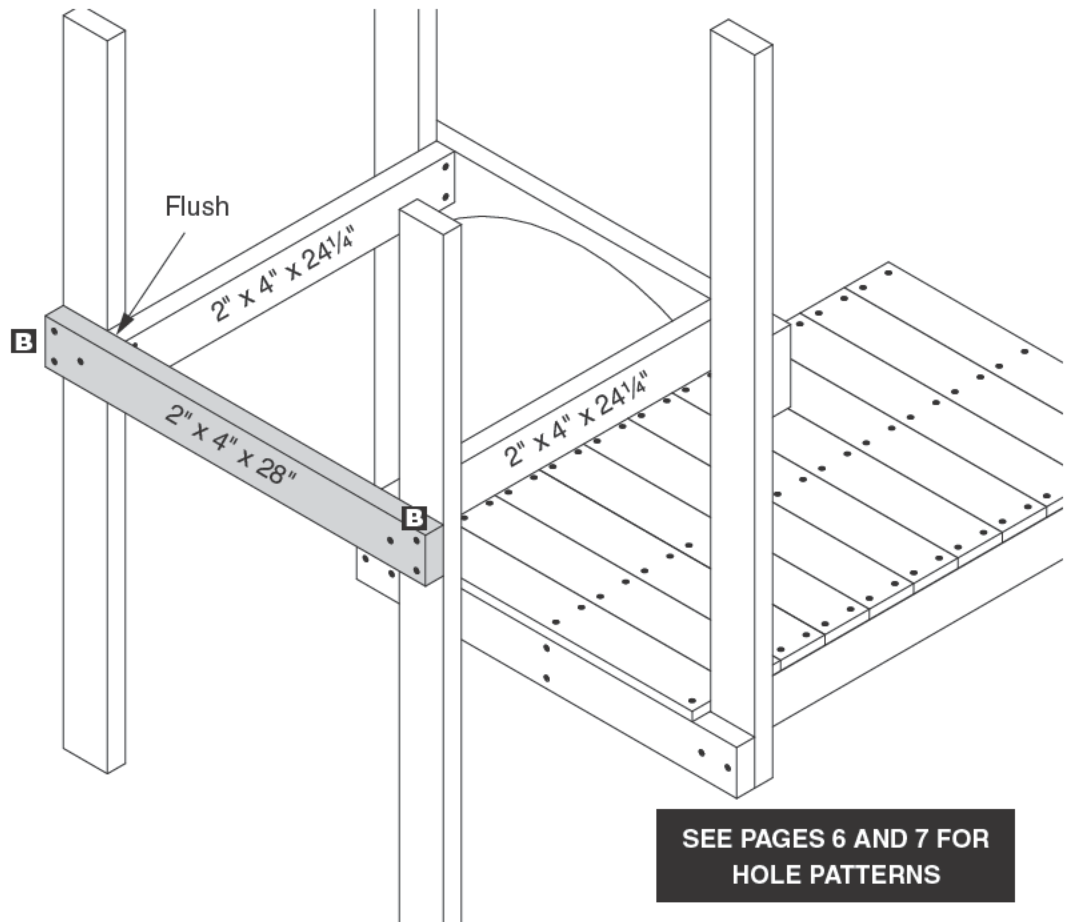


**SEE PAGES 6 AND 7 FOR HOLE PATTERNS**

**Items for STEP 7:**

- (1) 2" x 4" x 28" board
- (6) #8 x 2½" deck screws

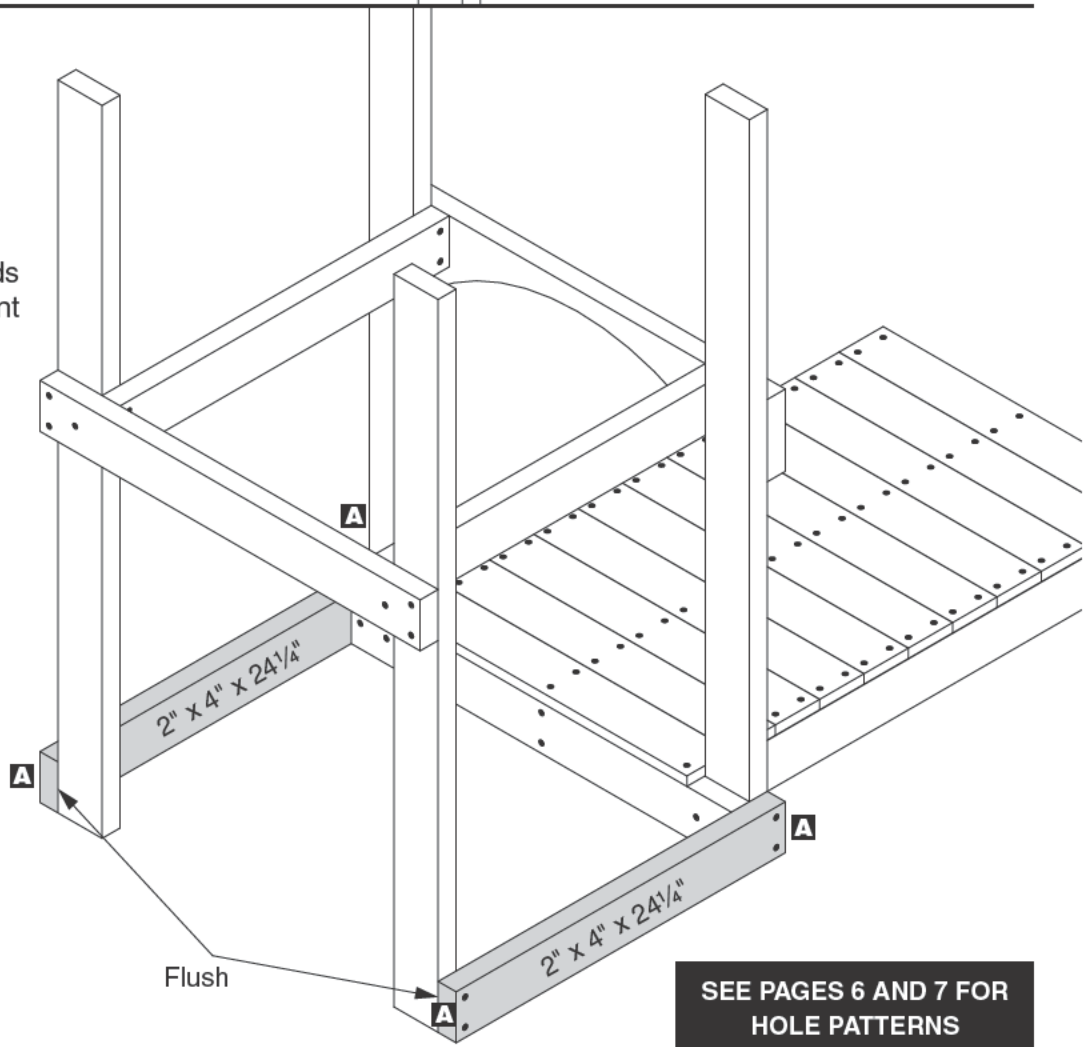
Attach 2" x 4" x 28" board flush with the top of 2" x 4" x 24¼" and sides as shown. Secure with #8 x 2½" deck screws.



**Items for STEP 8:**

- (2) 2" x 4" x 24¼" boards
- (8) #8 x 2½" deck screws

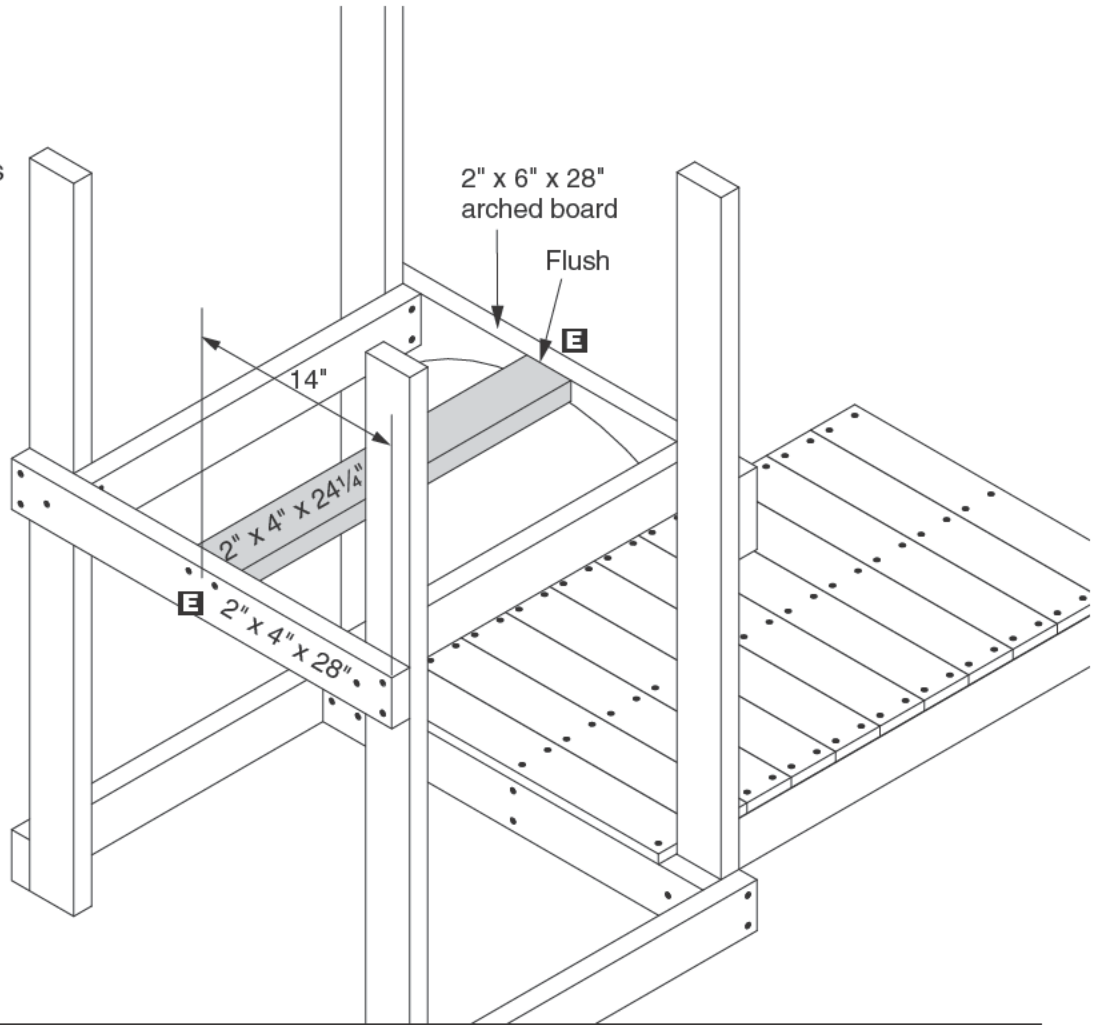
Attach two 2" x 4" x 24¼" boards at the bottom, flush with the front as shown. Secure with #8 x 2½" deck screws.



**Items for STEP 9:**

- (1) 2" x 4" x 24 $\frac{1}{4}$ " board
- (4) #8 x 2 $\frac{1}{2}$ " deck screws

Attach 2" x 4" x 24 $\frac{1}{4}$ " board, centered and flush, with the top of the 2" x 4" x 28" and the 2" x 6" x 28" arched board as shown. Secure with #8 x 2 $\frac{1}{2}$ " deck screws.



SEE PAGES 6 AND 7 FOR HOLE PATTERNS

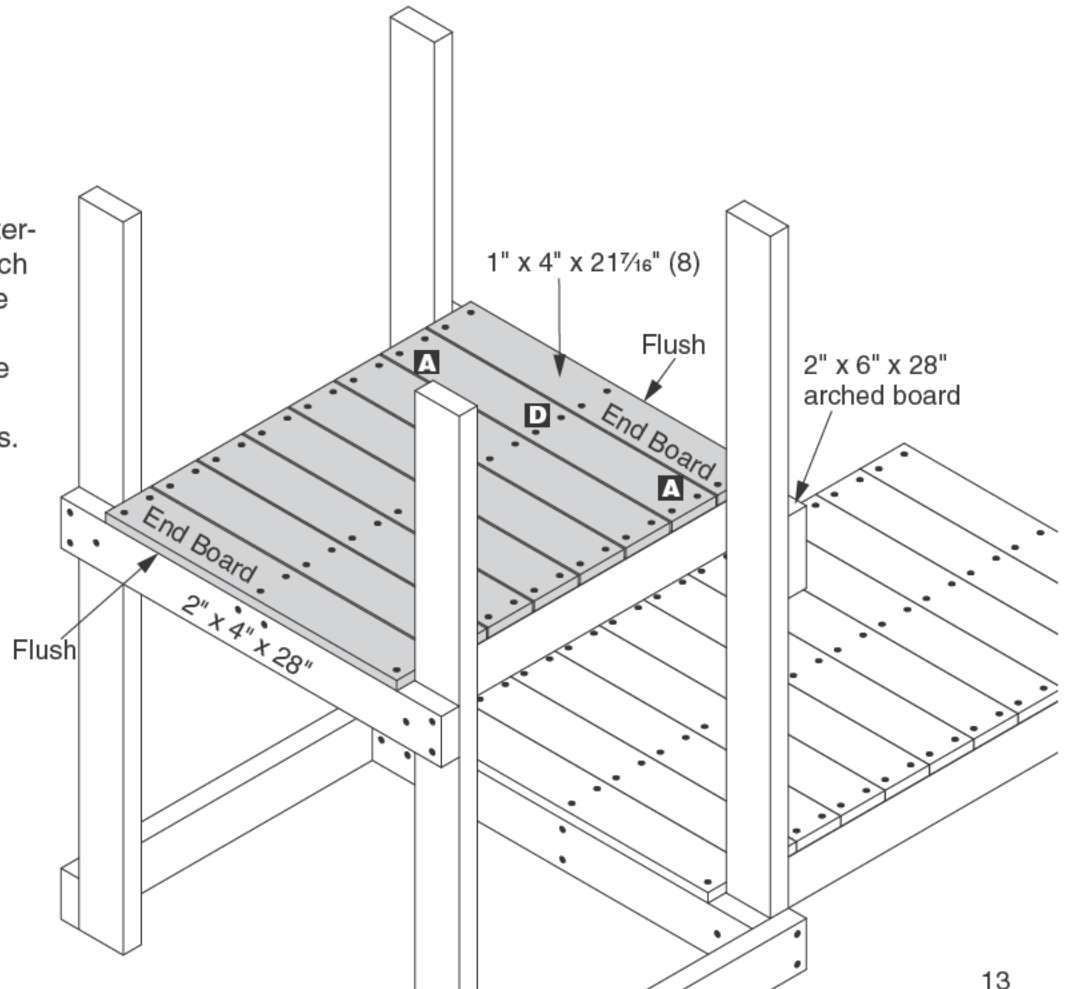
**Items for STEP 10:**

- (8) 1" x 4" x 21 $\frac{7}{16}$ " boards
- (48) #8 x 1 $\frac{1}{2}$ " deck screws

Attach eight pre-drilled and countersunk 1" x 4" x 21 $\frac{7}{16}$ " boards. Attach the end boards first, flush with the 2" x 4" x 28" and the 2" x 6" x 28" arched boards, and equally space the remaining boards. Secure all boards with #8 x 1 $\frac{1}{2}$ " deck screws. Do not overtighten the screws.

**Caution:** Failure to pre-drill and countersunk the boards may result in split lumber.

**Note:** Gap between boards must be less than  $\frac{1}{4}$ " or a finger entrapment could exist.

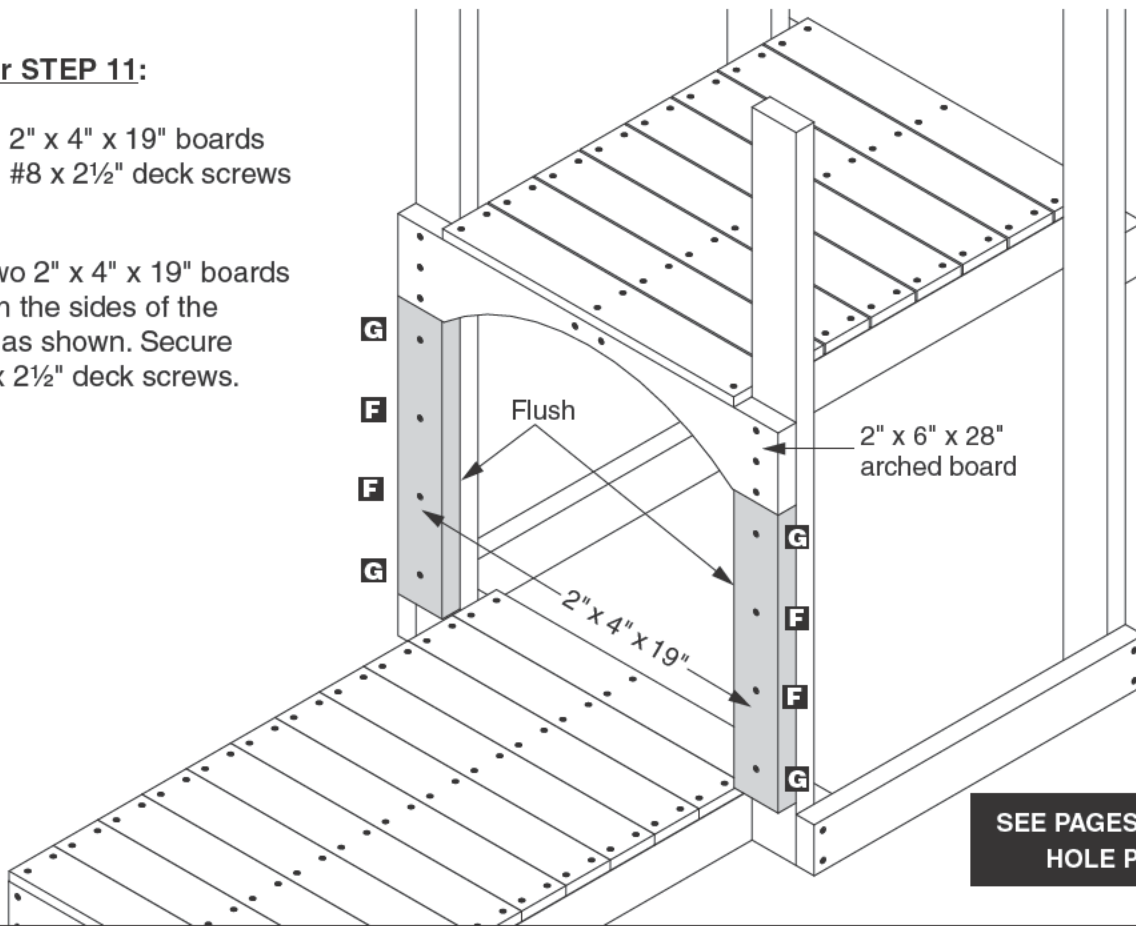


SEE PAGES 6 AND 7 FOR HOLE PATTERNS

**Items for STEP 11:**

- (2) 2" x 4" x 19" boards
- (8) #8 x 2½" deck screws

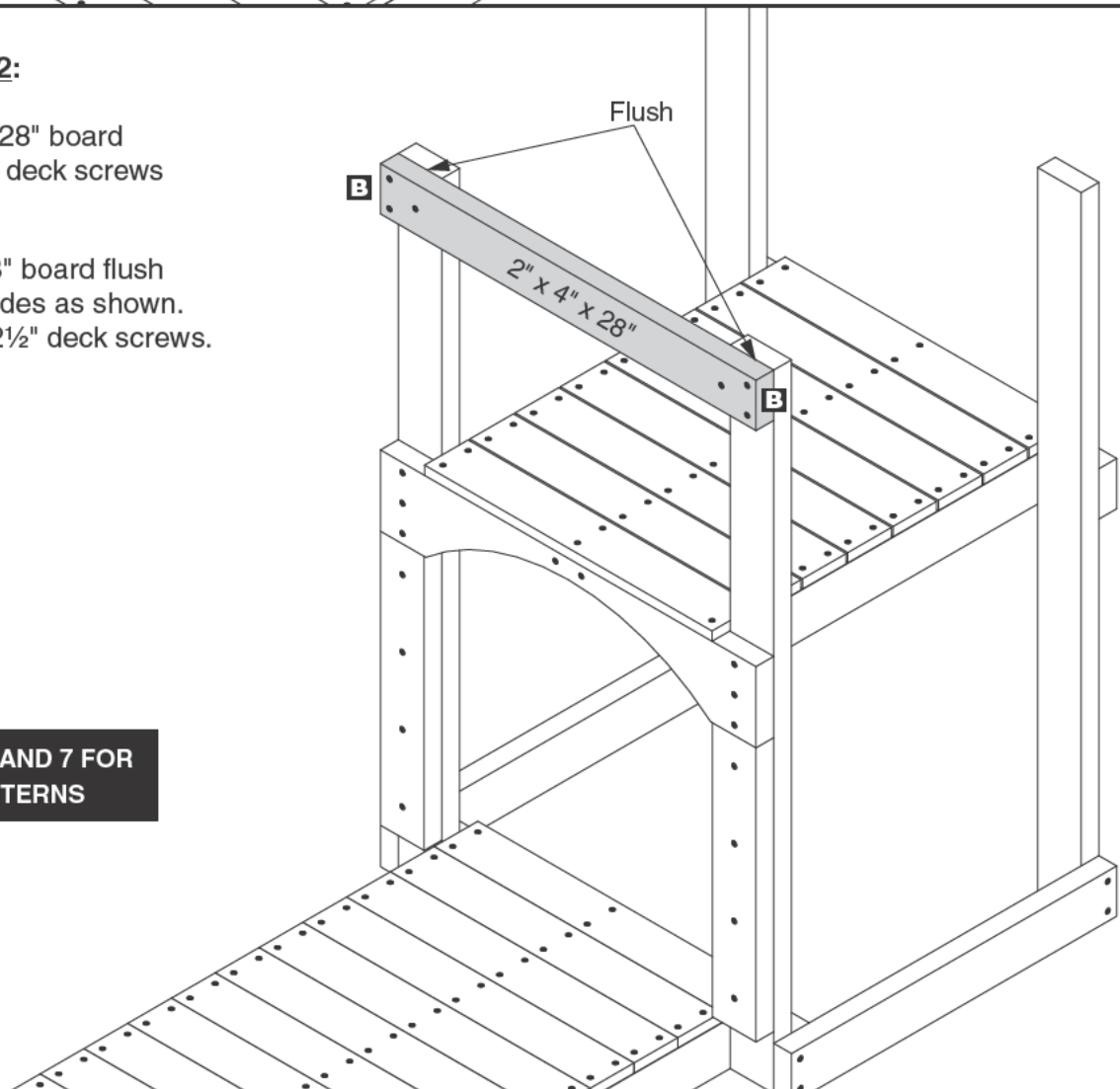
Attach two 2" x 4" x 19" boards flush with the sides of the opening as shown. Secure with #8 x 2½" deck screws.



**Items for STEP 12:**

- (1) 2" x 4" x 28" board
- (6) #8 x 2½" deck screws

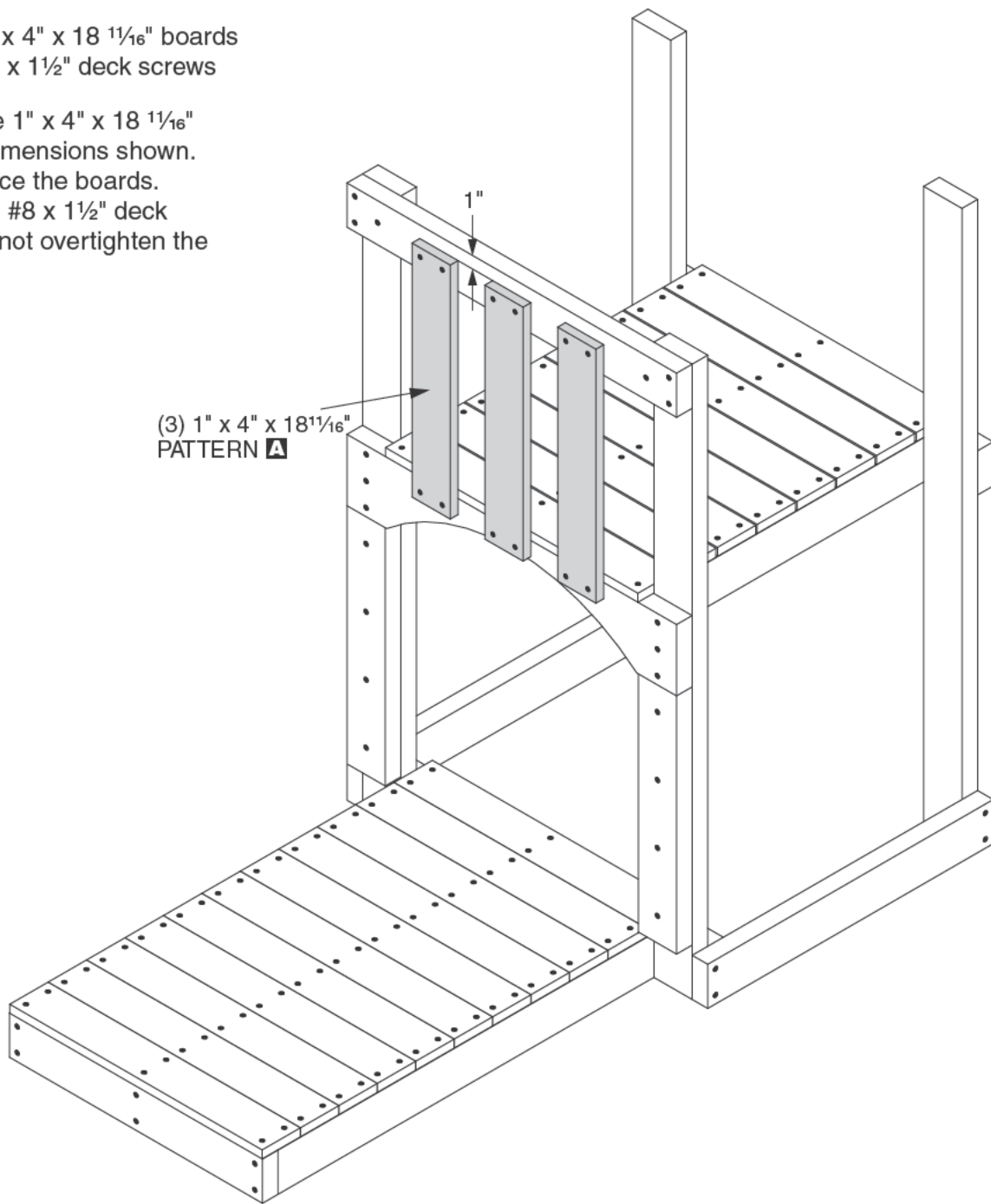
Attach 2" x 4" x 28" board flush with the top and sides as shown. Secure with #8 x 2½" deck screws.



**Items for STEP 13:**

- (3) 1" x 4" x 18 1/16" boards
- (12) #8 x 1 1/2" deck screws

Attach three 1" x 4" x 18 1/16" boards at dimensions shown. Equally space the boards. Secure with #8 x 1 1/2" deck screws. Do not overtighten the screws.



**Caution:** Failure to pre-drill and countersunk the boards may result in split lumber.

**Note:** Gap between 1" x 4" x 18 1/16" boards must not exceed 3 1/2" or a head entrapment could exist.

**Helpful Hint:** Gap between boards should be approximately 2 7/8".

SEE PAGES 6 AND 7 FOR  
HOLE PATTERNS



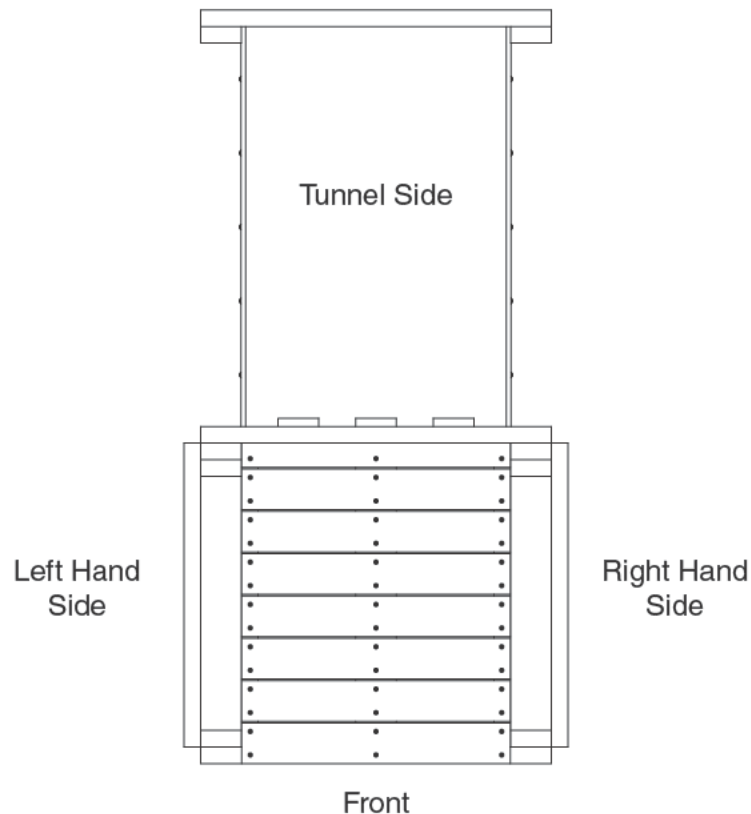
***If you are attaching a slide to the Toddler Tunnel, TWO sides of the upper decking must remain open. One for the Slide and one for the Rock Wall.***

***Decide here o pl ce he ck wall and the slide. Enclose the remaining side, following th step in th ne p ges.***

***If you are NOT attaching a slide to the Toddler Tunnel, ONLY one side of the upper decking must remain open for the Rock Wall.***

***Decide where to place the rock wall. Enclose the remaining two sides, following the steps in the next pages.***

Top-Down View



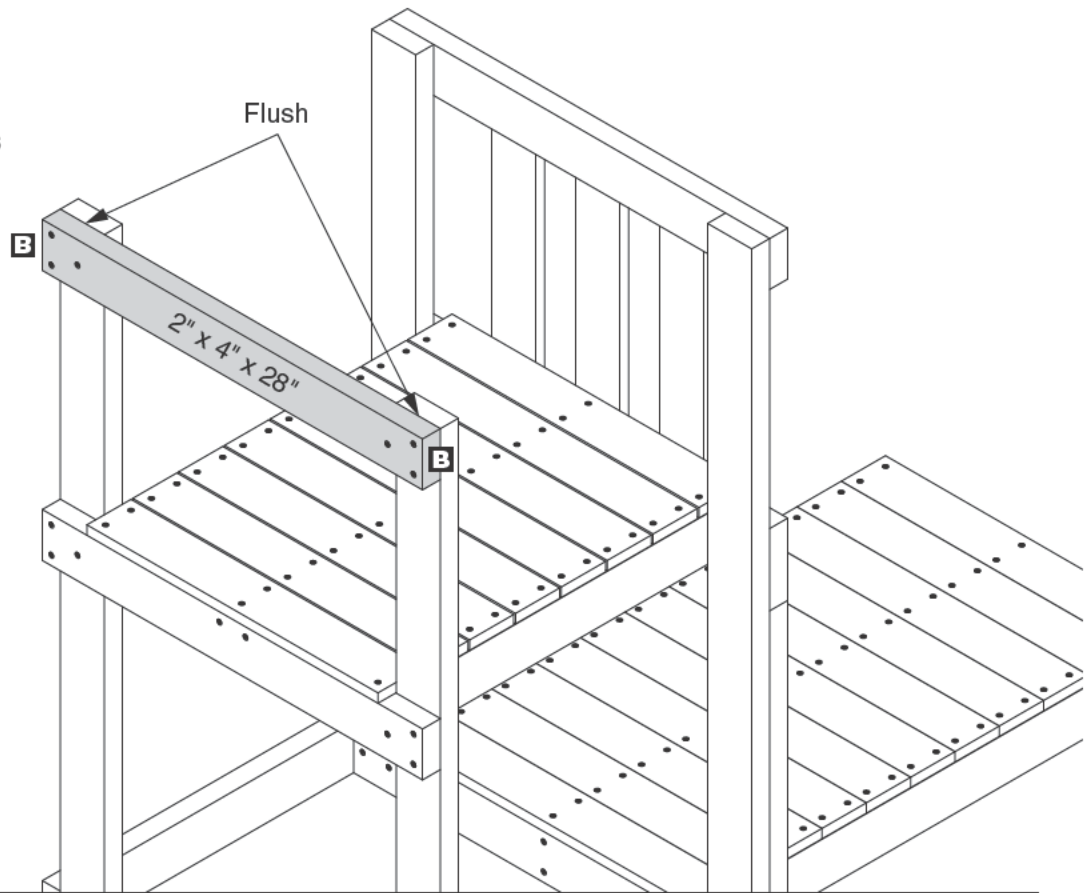


## ENCLOSE FRONT

### Items for STEP 14A:

- (1) 2" x 4" x 28" board
- (6) #8 x 2½" deck screws

Attach 2" x 4" x 28" board flush with the top and sides as shown. Secure with #8 x 2½" deck screws.



SEE PAGES 6 AND 7 FOR  
HOLE PATTERNS

### Items for STEP 15A:

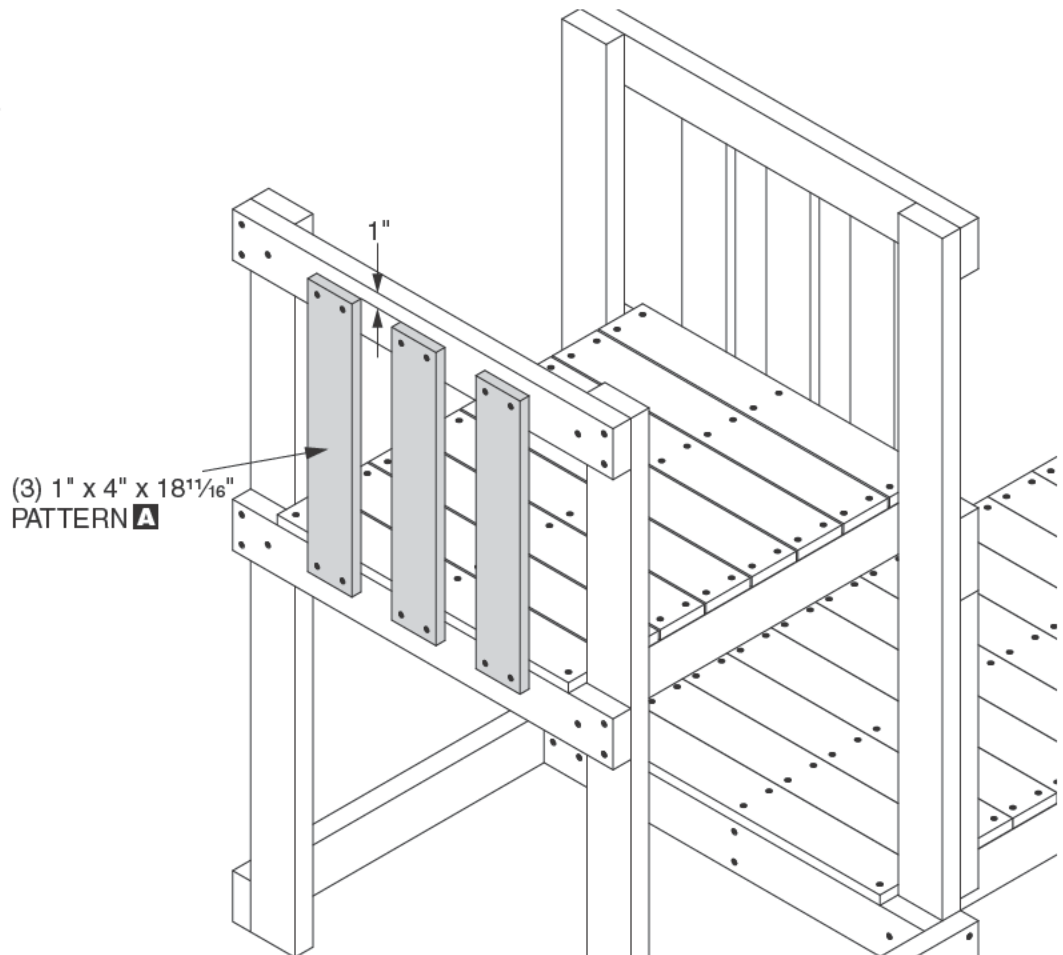
- (3) 1" x 4" x 18 11/16" boards
- (12) #8 x 1½" deck screws

Attach three 1" x 4" x 18 11/16" boards at dimensions shown. Equally space the boards. Secure with #8 x 1½" deck screws. Do not overtighten the screws.

**Caution:** Failure to pre-drill and countersunk the boards may result in split lumber.

**Note:** Gap between 1" x 4" x 18 11/16" boards must not exceed 3 1/2" or a head entrapment could exist.

**Helpful Hint:** Gap between boards should be approximately 2 7/8".



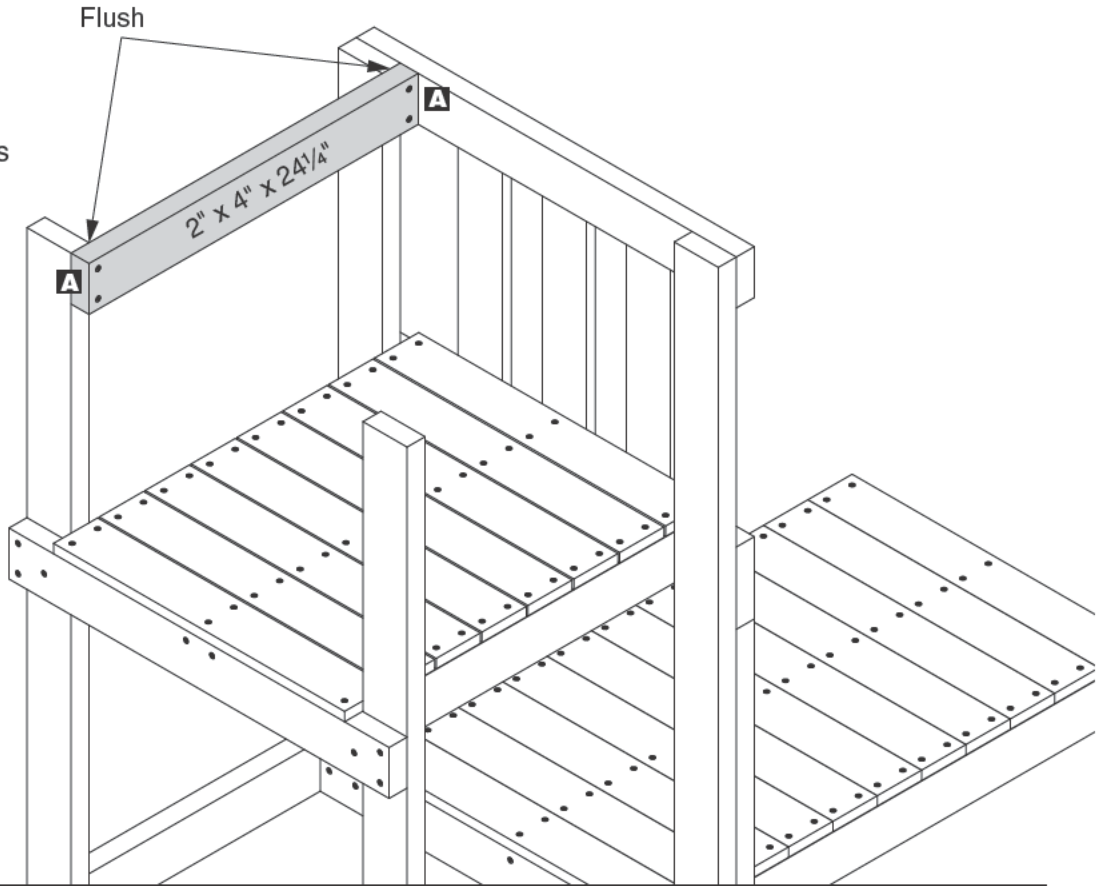
SEE PAGES 6 AND 7 FOR  
HOLE PATTERNS

## ENCLOSE LEFT HAND SIDE

### Items for STEP 14B:

- (1) 2" x 4" x 24 $\frac{1}{4}$ " board
- (4) #8 x 2 $\frac{1}{2}$ " deck screws

Attach 2" x 4" x 24 $\frac{1}{4}$ " board flush with the top and sides as shown. Secure with #8 x 2 $\frac{1}{2}$ " deck screws.



SEE PAGES 6 AND 7 FOR  
HOLE PATTERNS

### Items for STEP 15B:

- (3) 1" x 4" x 18 $\frac{1}{16}$ " boards
- (12) #8 x 1 $\frac{1}{2}$ " deck screws

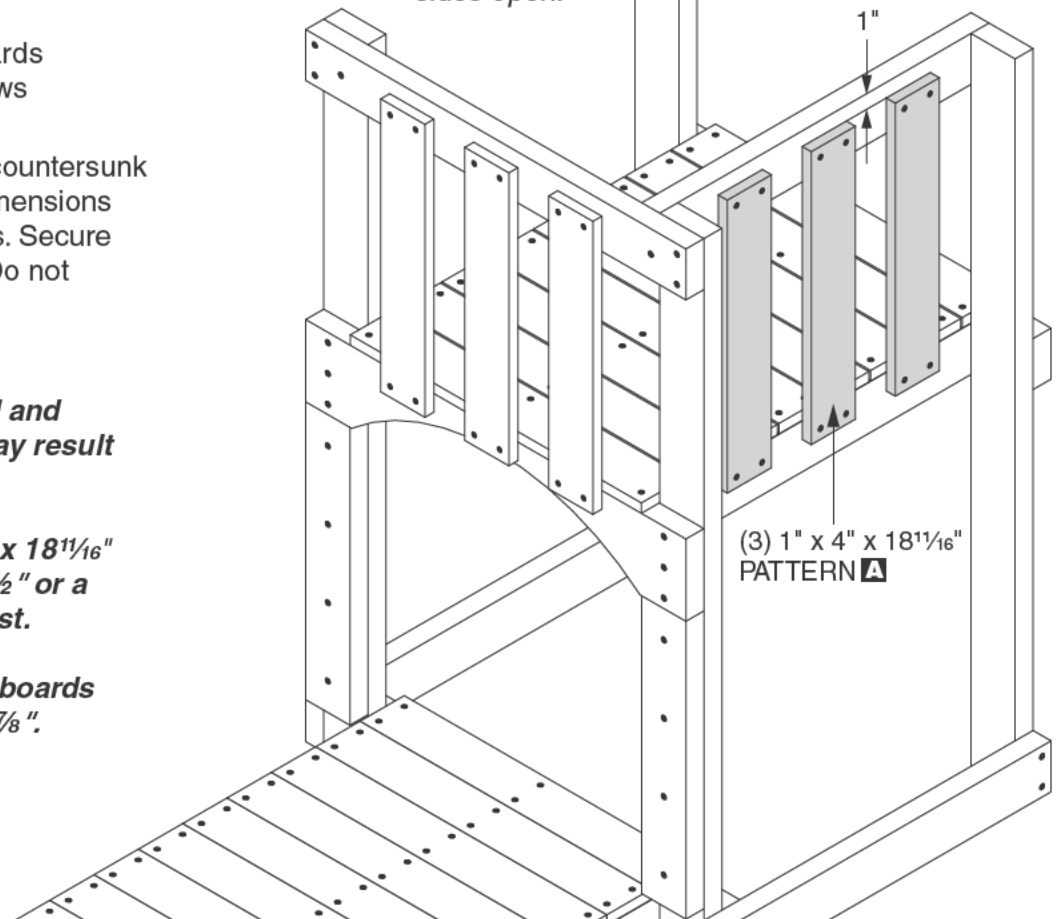
Attach three pre-drilled and countersunk 1" x 4" x 18 $\frac{1}{16}$ " boards at dimensions shown. Equally space boards. Secure with #8 x 1 $\frac{1}{2}$ " deck screws. Do not overtighten the screws.

**Caution:** Failure to pre-drill and countersunk the boards may result in split lumber.

**Note:** Gap between 1" x 4" x 18 $\frac{1}{16}$ " boards must not exceed 3 $\frac{1}{2}$ " or a head entrapment could exist.

**Helpful Hint:** Gap between boards should be approximately 2 $\frac{7}{8}$ ".

Shown with two  
sides open.



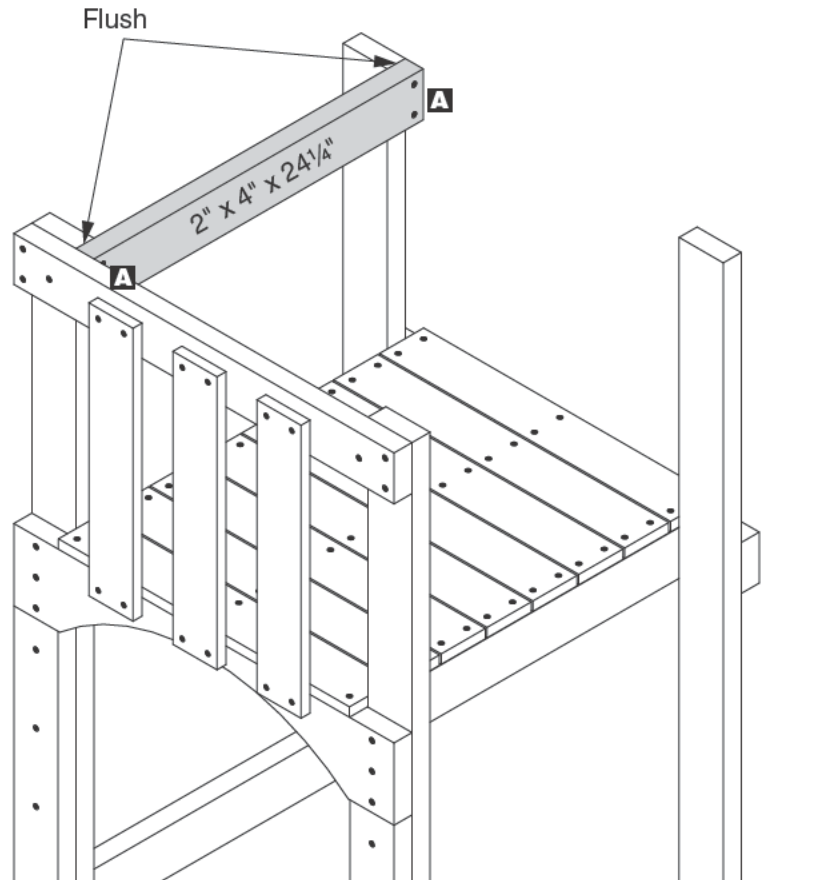
SEE PAGES 6 AND 7 FOR  
HOLE PATTERNS

## ENCLOSE RIGHT HAND SIDE

### Items for STEP 14C:

- (1) 2" x 4" x 24 $\frac{1}{4}$ " board
- (4) #8 x 2 $\frac{1}{2}$ " deck screws

Attach one 2" x 4" x 24 $\frac{1}{4}$ " board flush with the top and sides as shown. Secure with #8 x 2 $\frac{1}{2}$ " deck screws.



SEE PAGES 6 AND 7 FOR  
HOLE PATTERNS

### Items for STEP 15C:

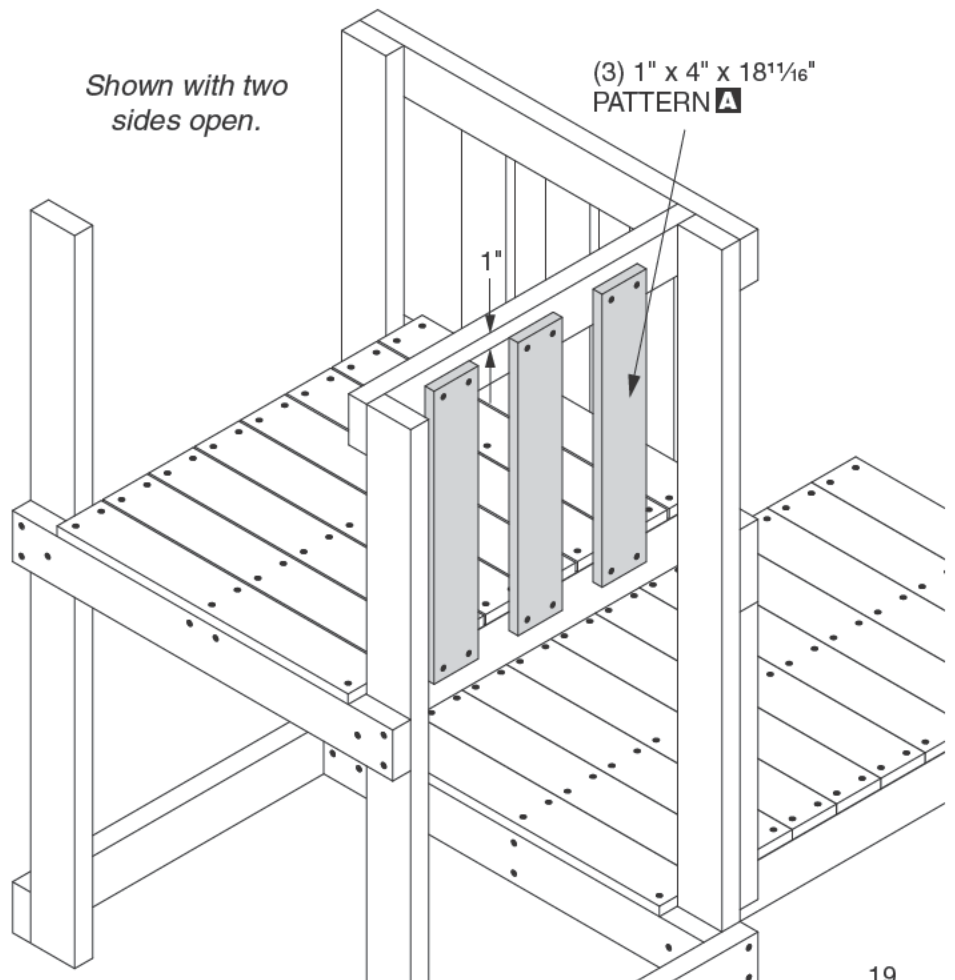
- (3) 1" x 4" x 18 $\frac{1}{16}$ " boards
- (12) #8 x 1 $\frac{1}{2}$ " deck screws

Attach three pre-drilled and countersunk 1" x 4" x 18 $\frac{1}{16}$ " boards at dimensions shown. Equally space boards. Secure with #8 x 1 $\frac{1}{2}$ " deck screws. Do not overtighten the screws.

**Caution:** Failure to pre-drill and countersunk the boards may result in split lumber.

**Note:** Gap between 1" x 4" x 18 $\frac{1}{16}$ " boards must not exceed 3 $\frac{1}{2}$ " or a head entrapment could exist.

**Helpful Hint:** Gap between boards should be approximately 2 $\frac{7}{8}$ ".



SEE PAGES 6 AND 7 FOR  
HOLE PATTERNS

## ROCK WALL ATTACHMENT

If you are attaching the Rock Wall to either side of the platform, continue following these instructions.

If you are attaching the Rock Wall to the front of the platform, skip to Step 16B. (Page 24)

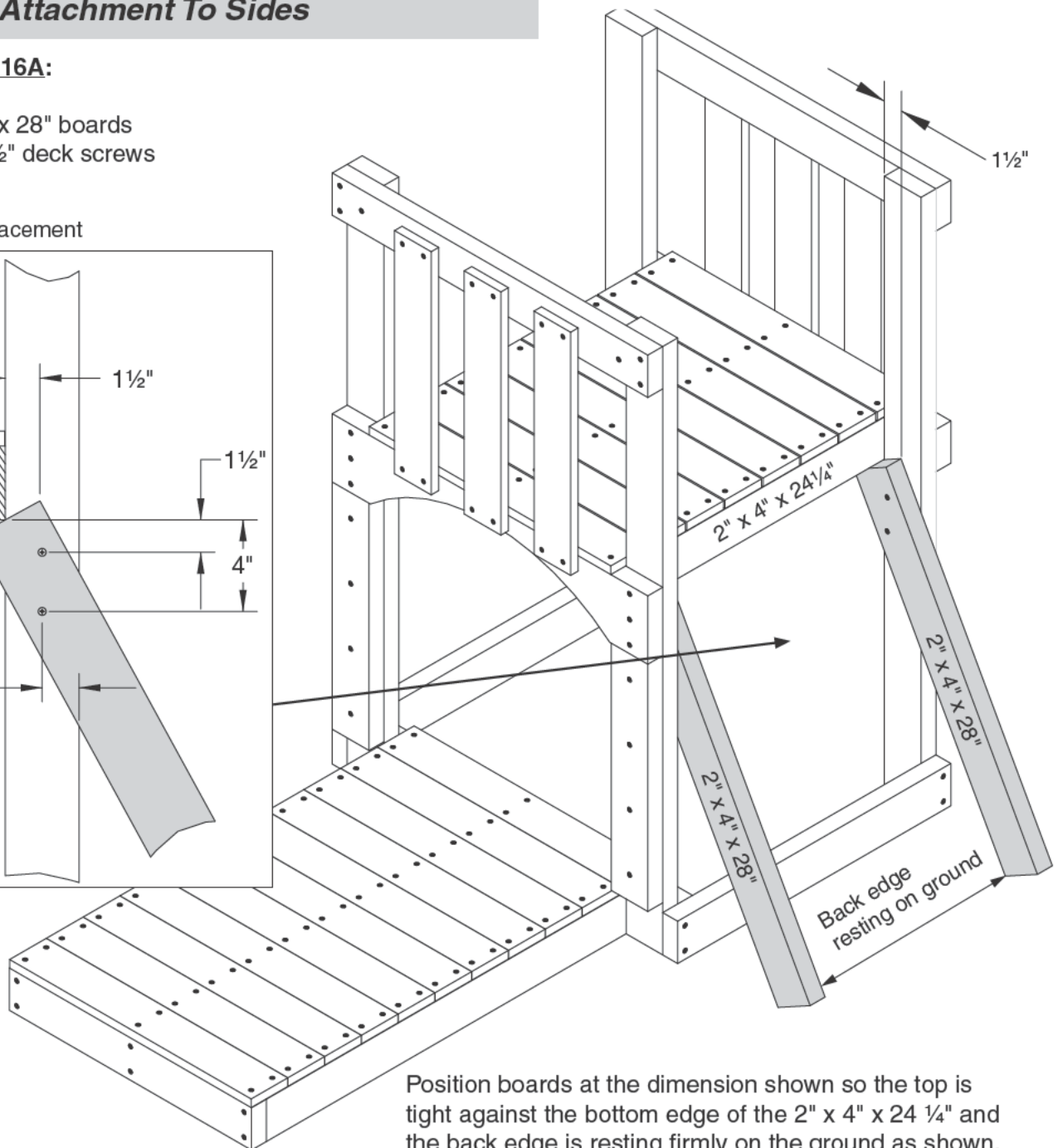
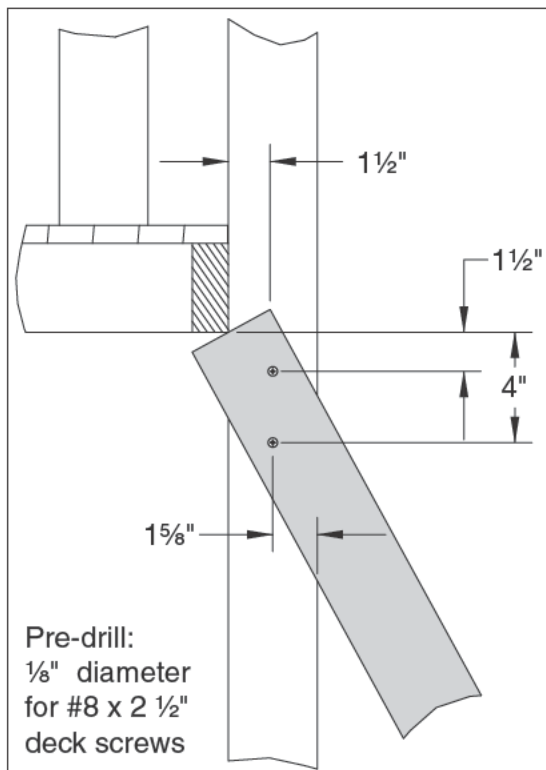
If you are attaching the Rock Wall to the opposite side of the one shown here, continue following these instructions just mirroring the components.

### Rock Wall Attachment To Sides

#### Items for STEP 16A:

- (2) 2" x 4" x 28" boards
- (4) #8 x 2½" deck screws

#### Detail of Screw Placement



Position boards at the dimension shown so the top is tight against the bottom edge of the 2" x 4" x 24 ¼" and the back edge is resting firmly on the ground as shown.

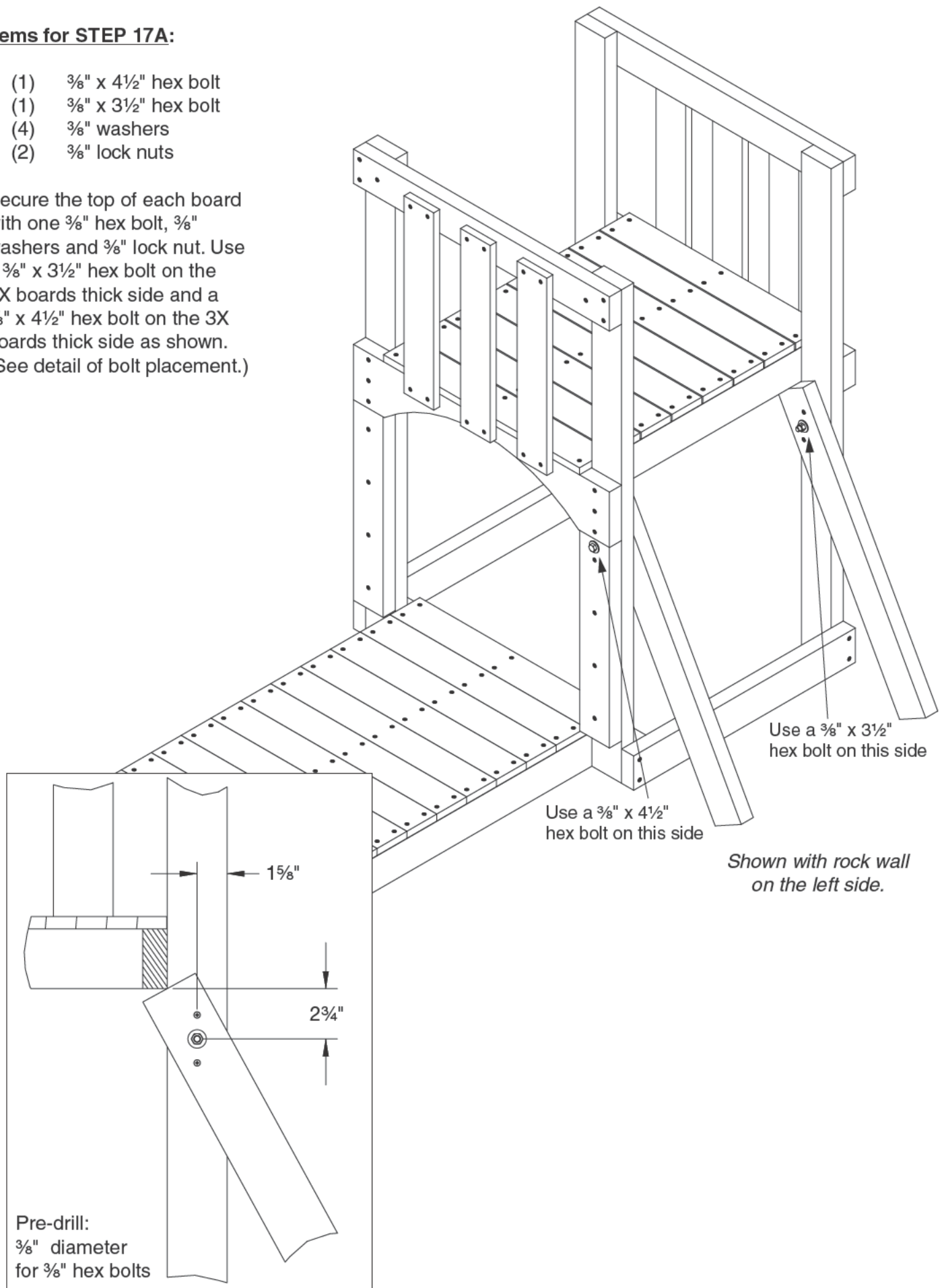
Secure the top of each board with two #8 x 2 ½" deck screws (See detail of screw placement.)

*Shown with rock wall on the left side.*

**Items for STEP 17A:**

- (1) 3/8" x 4 1/2" hex bolt
- (1) 3/8" x 3 1/2" hex bolt
- (4) 3/8" washers
- (2) 3/8" lock nuts

Secure the top of each board with one 3/8" hex bolt, 3/8" washers and 3/8" lock nut. Use a 3/8" x 3 1/2" hex bolt on the 2X boards thick side and a 3/8" x 4 1/2" hex bolt on the 3X boards thick side as shown. (See detail of bolt placement.)



Detail of Bolt Placement

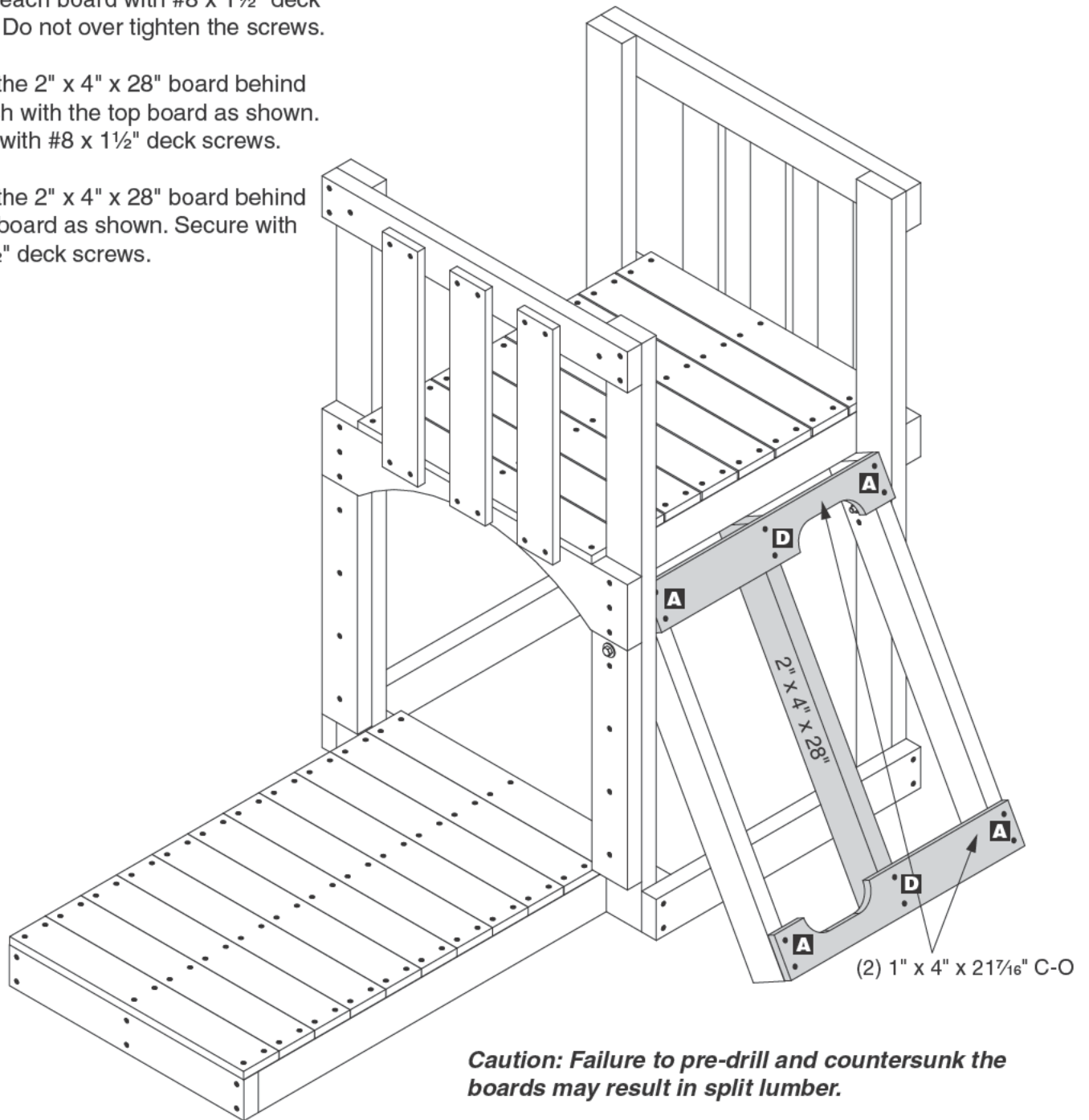
**Items for STEP 18A:**

- (1) 2" x 4" x 28" board
- (2) 1" x 4" x 21<sup>7</sup>/<sub>16</sub>" C-O boards
- (12) #8 x 1<sup>1</sup>/<sub>2</sub>" deck screws

Attach two pre-drilled and countersunk 1" x 4" x 21<sup>7</sup>/<sub>16</sub>" C-O boards as shown. Secure each board with #8 x 1<sup>1</sup>/<sub>2</sub>" deck screws. Do not over tighten the screws.

Center the 2" x 4" x 28" board behind and flush with the top board as shown. Secure with #8 x 1<sup>1</sup>/<sub>2</sub>" deck screws.

Center the 2" x 4" x 28" board behind bottom board as shown. Secure with #8 x 1<sup>1</sup>/<sub>2</sub>" deck screws.

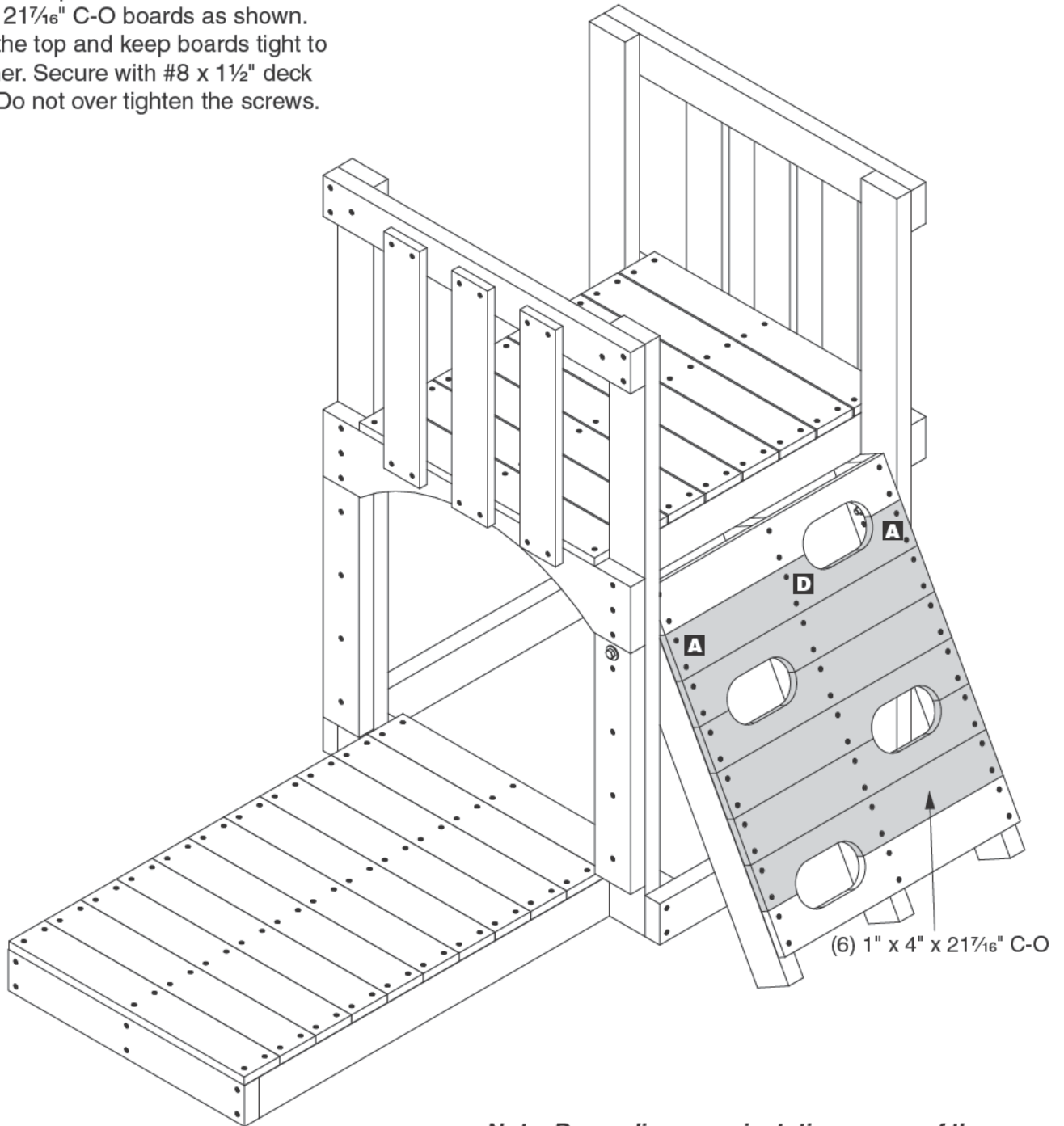


**SEE PAGES 6 AND 7 FOR  
HOLE PATTERNS**

**Items for STEP 19A:**

- (6) 1" x 4" x 21<sup>7</sup>/<sub>16</sub>" C-O boards
- (36) #8 x 1<sup>1</sup>/<sub>2</sub>" deck screws

Attach the six pre-drilled and countersunk 1" x 4" x 21<sup>7</sup>/<sub>16</sub>" C-O boards as shown. Start at the top and keep boards tight to each other. Secure with #8 x 1<sup>1</sup>/<sub>2</sub>" deck screws. Do not over tighten the screws.



**Note:** Depending on orientation, some of these boards may need to be countersunk.

**Caution:** Failure to pre-drill and countersunk the boards may result in split lumber.

**Note:** If the last board doesn't fit, or if there is a gap because of the boards being too big or too small, remove the bottom board and adjust.

SEE PAGES 6 AND 7 FOR  
HOLE PATTERNS

## Rock Wall Attachment To Front

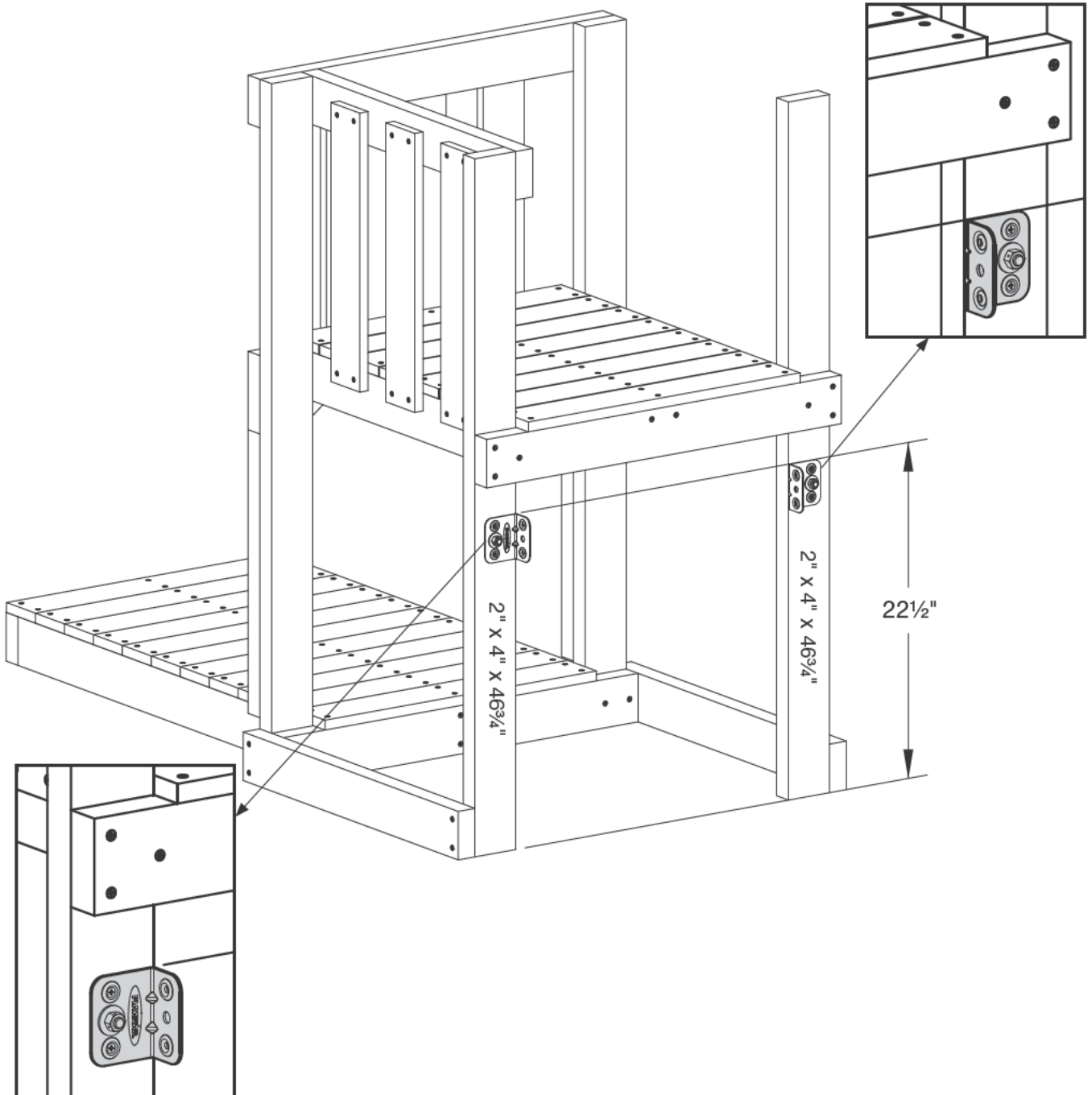
### Items for STEP 16B:

- (2) Corner Brackets
- (4) #8 x 1¼" deck screws
- (2) ⅜" x 2" hex bolts
- (4) ⅜" washers
- (2) ⅜" lock nuts

### Attach corner brackets.

Position two brackets 22½" up from bottom of tower with the **long** side of the brackets (w/PlayStar logo) against the 2" x 4" x 46¾" boards and the **short** side flush with the inside edges as shown. Use brackets as a drill guide and drill ⅜" holes 1" deep into the boards. Attach with #8 x 1¼" deck screws.

Again use the brackets as a drill guide and drill ⅜" holes completely through the boards. Secure with ⅜" x 2" hex bolts, ⅜" washers, and ⅜" lock nuts.





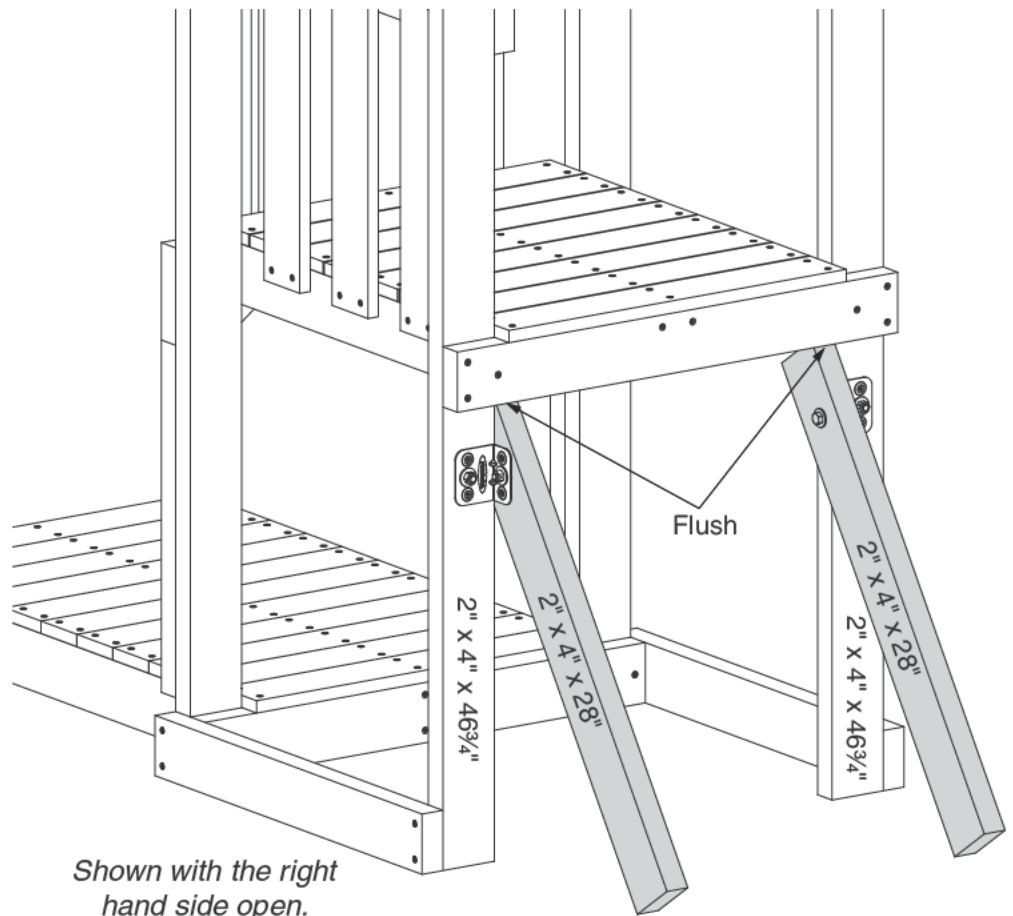
### Items for STEP 17B:

- (2) 2" x 4" x 28" boards
- (4) #8 x 1¼" deck screws
- (2) ⅜" x 2" hex bolts
- (4) ⅜" washers
- (2) ⅜" lock nuts

Attach two 2" x 4" x 28" boards to corner brackets as shown. Bottom corner of board must rest on the ground and the top corner of board must be flush with the front of the 2" x 4" x 46¾" boards.

Use the brackets as a drill guide and drill ⅜" holes 1" deep into the boards. Attach with #8 x 1¼" deck screws.

Again use the brackets as a drill guide and drill ⅜" holes completely through the board. Secure with ⅜" x 2" hex bolts, ⅜" washers and ⅜" lock nuts.



### Items for STEP 18B:

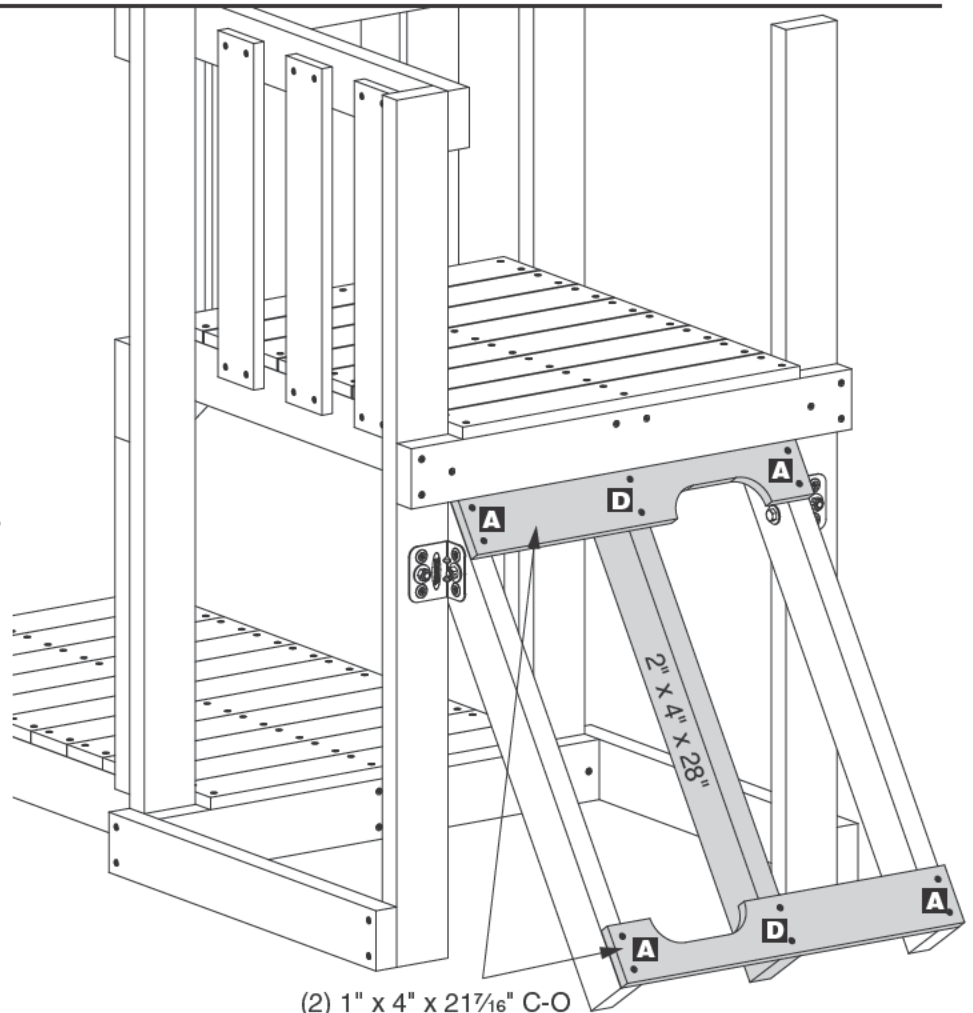
- (1) 2" x 4" x 28" board
- (2) 1" x 4" x 217/16" C-O boards
- (12) #8 x 1½" deck screws

Attach two predrilled and countersunk 1" x 4" x 217/16" C-O boards as shown. Secure each board with #8 x 1½" deck screws. Do not over tighten the screws.

Center the 2" x 4" x 28" board behind and flush with the top board as shown. Secure with #8 x 1½" deck screws.

Center the 2" x 4" x 28" board behind bottom board as shown. Secure with #8 x 1½" deck screws.

**Caution: Failure to pre-drill and countersunk the boards may result in split lumber.**



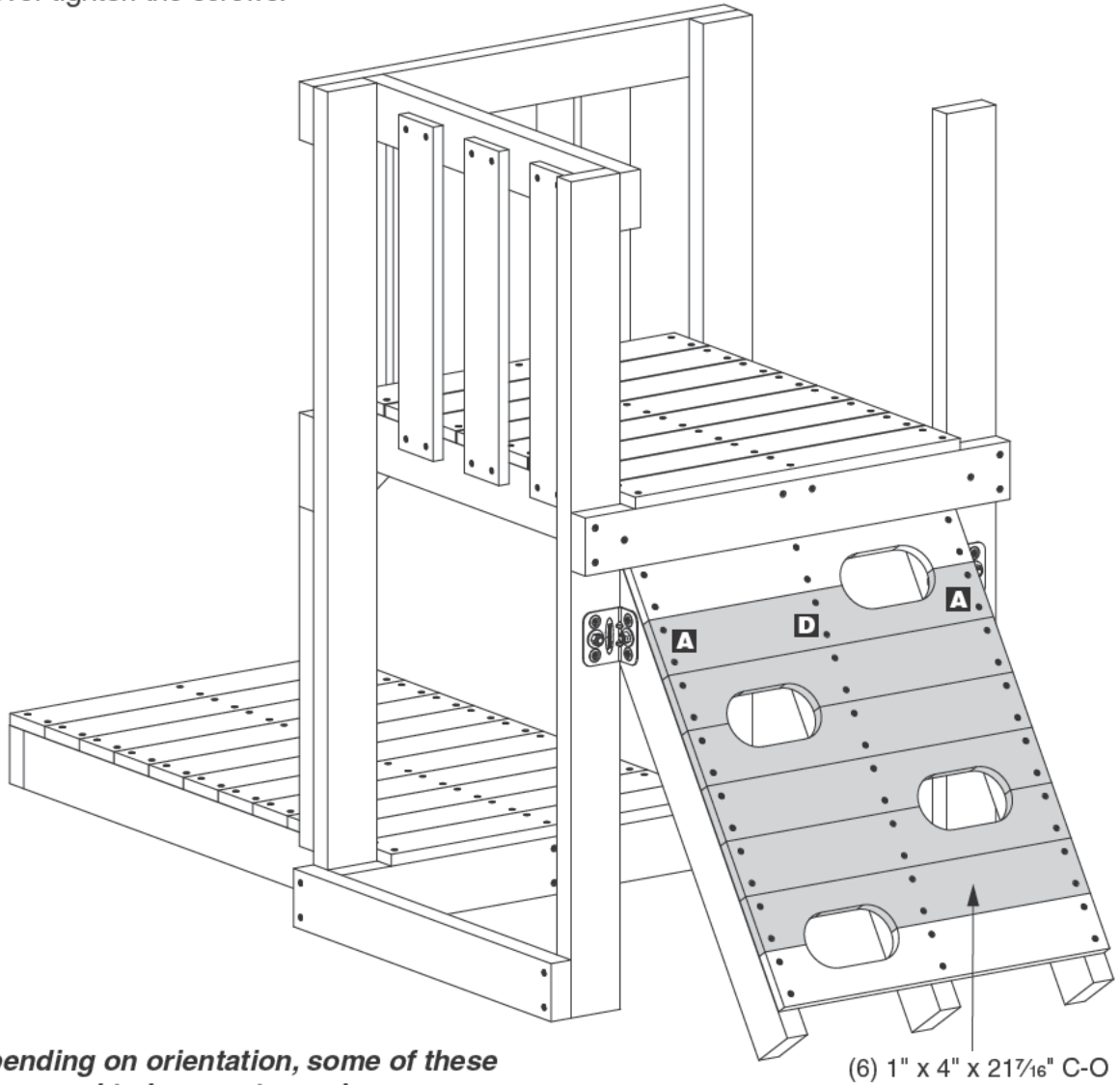
SEE PAGES 6 AND 7 FOR  
HOLE PATTERNS

**Items for STEP 19B:**

- (6) 1" x 4" x 21<sup>7</sup>/<sub>16</sub>" C-O boards
- (36) #8 x 1<sup>1</sup>/<sub>2</sub>" deck screws

Attach the six predrilled and countersunk 1" x 4" x 21<sup>7</sup>/<sub>16</sub>" C-O boards as shown.

Start at the top and keep boards tight to each other. Secure with #8 x 1<sup>1</sup>/<sub>2</sub>" deck screws. Do not over tighten the screws.



**Note:** Depending on orientation, some of these boards may need to be countersunk.

**Caution:** Failure to pre-drill and countersunk the boards may result in split lumber.

**Note:** If the last board doesn't fit, or if there is a gap because of the boards being too big or too small, remove the bottom board and adjust.

SEE PAGES 6 AND 7 FOR HOLE PATTERNS

## PICNIC TABLE ATTACHMENT

If you are attaching the Picnic Table to the front of the platform, continue following these instructions.

If you are attaching the Picnic Table to either side of the platform, skip to Step 20B. (Page 29)

### Picnic Table Attachment To Front

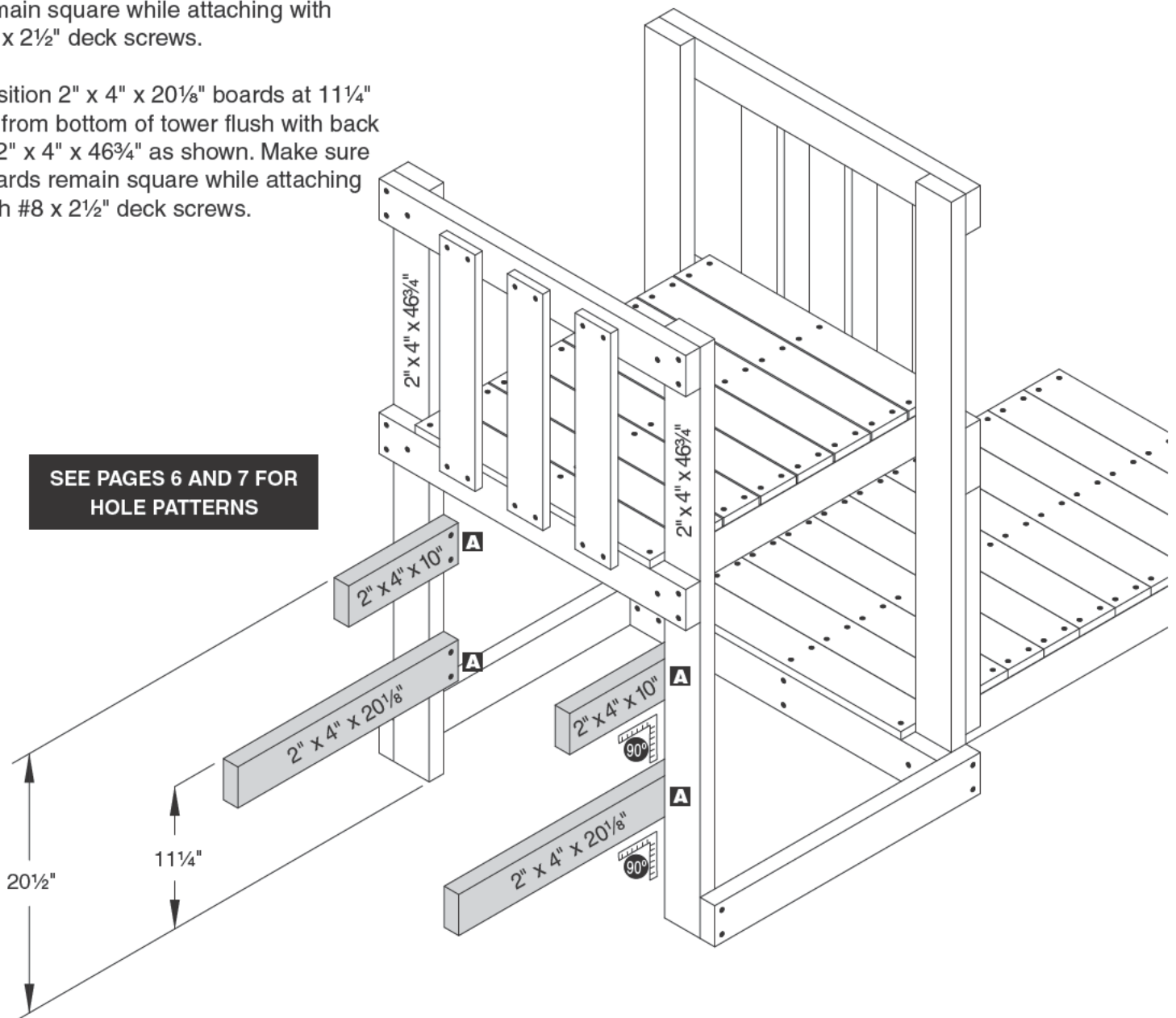
#### Items for STEP 20A:

- (2) 2" x 4" x 10" boards
- (2) 2" x 4" x 20 $\frac{1}{8}$ " boards
- (8) #8 x 2 $\frac{1}{2}$ " deck screws

*Note: Picnic table not to be used as a step.  
Always position under enclosed side as shown.*

Position 2" x 4" x 10" boards at 20 $\frac{1}{2}$ " up from bottom of tower flush with back of 2" x 4" x 46 $\frac{3}{4}$ " as shown. Make sure boards remain square while attaching with #8 x 2 $\frac{1}{2}$ " deck screws.

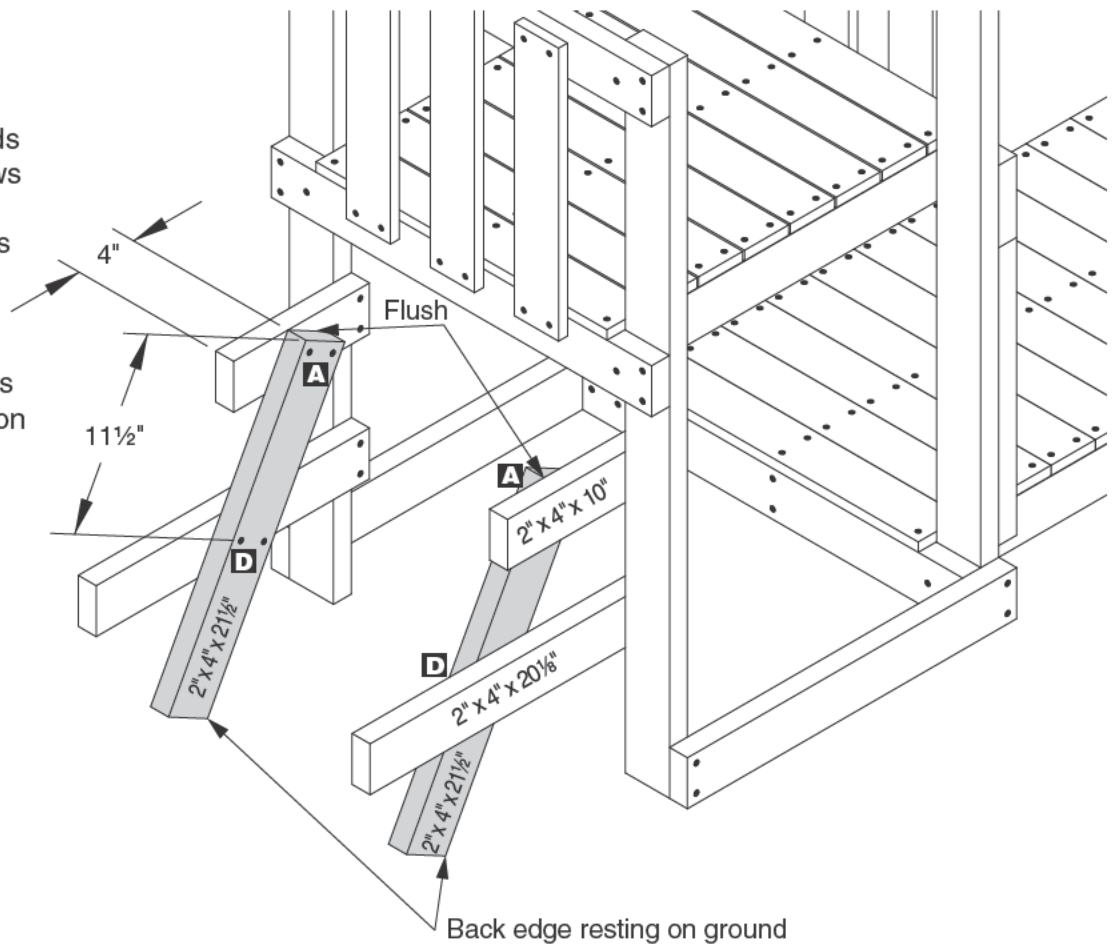
Position 2" x 4" x 20 $\frac{1}{8}$ " boards at 11 $\frac{1}{4}$ " up from bottom of tower flush with back of 2" x 4" x 46 $\frac{3}{4}$ " as shown. Make sure boards remain square while attaching with #8 x 2 $\frac{1}{2}$ " deck screws.



**Items for STEP 21A:**

- (2) 2" x 4" x 21½" boards
- (8) #8 x 2½" deck screws

Position 2" x 4" x 21½" boards at an angle so that the front corner is flush with the top surface and 4" from the front end of the 2" x 4" x 10" boards and the back edge is resting on the ground as shown. Secure with #8 x 2½" deck screws.



**SEE PAGES 6 AND 7 FOR HOLE PATTERNS**

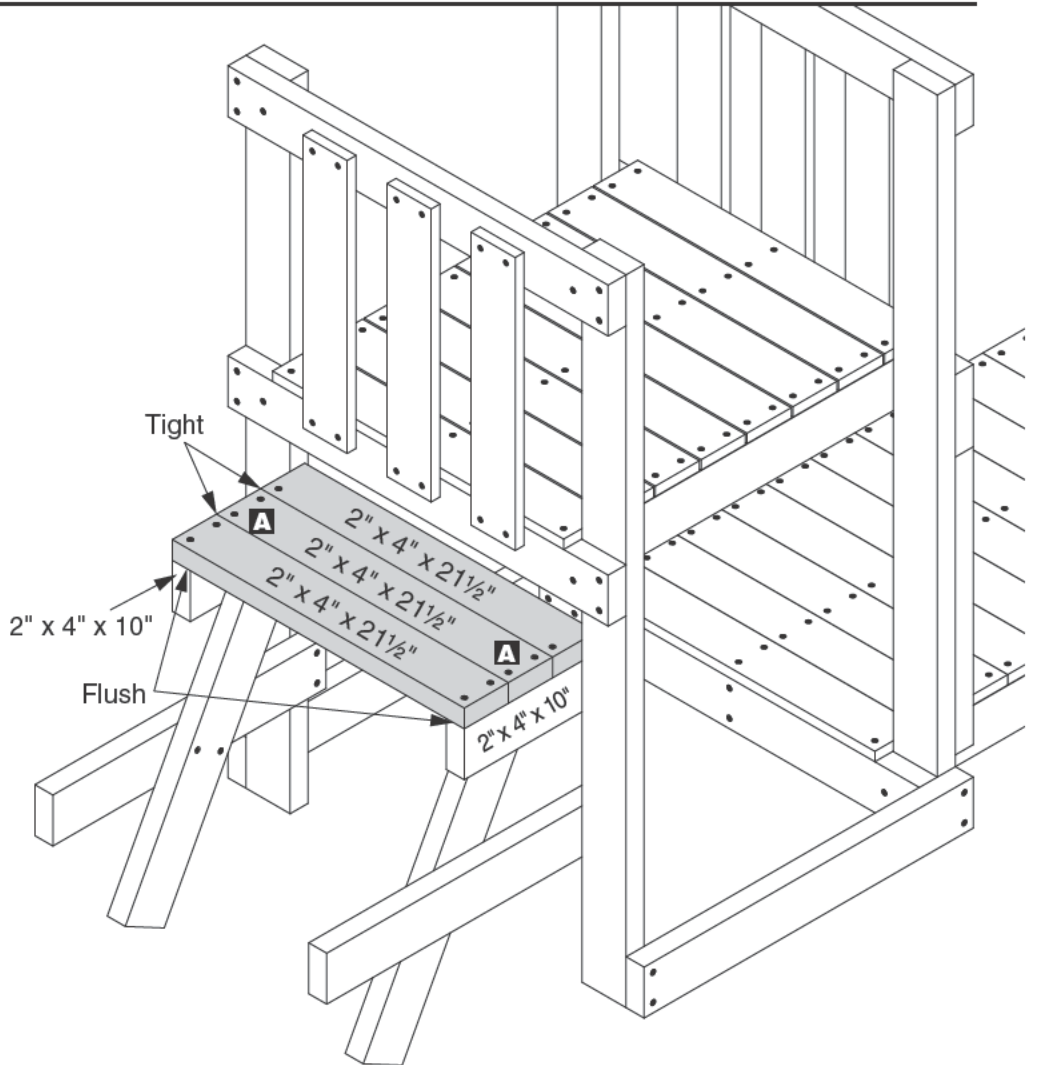
**Items for STEP 22A:**

- (3) 2" x 4" x 21½" boards
- (10) #8 x 2½" deck screws

Position the front 2" x 4" x 21½" board flush with the ends of the 2" x 4" x 10" boards as shown. Attach with #8 x 2½" deck screws.

Position the middle 2" x 4" x 21½" board tight against the first one as shown. Attach with #8 x 2½" deck screws.

Position back 2" x 4" x 21½" board tight against the middle 2" x 4" x 21½" board as shown. Attach with #8 x 2½" deck screws.

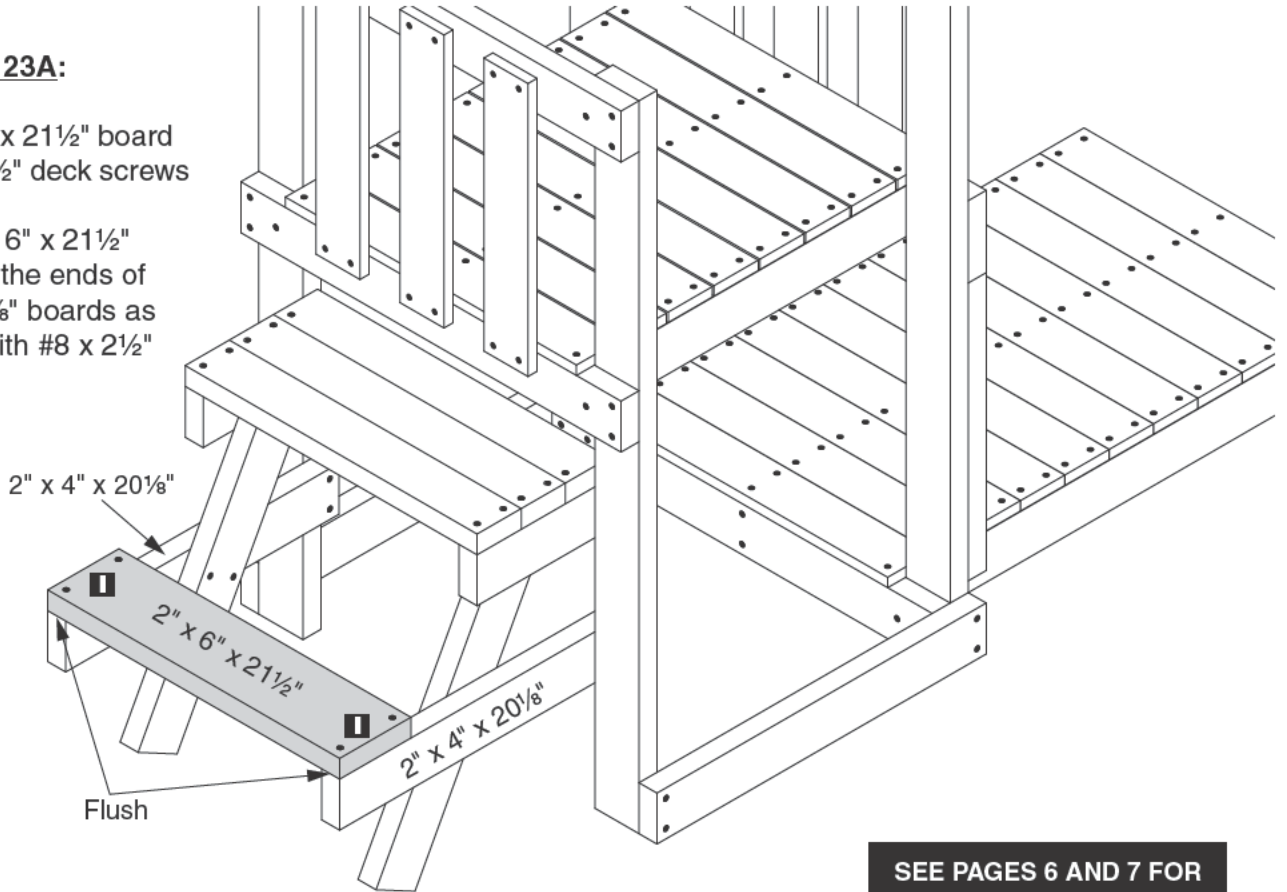


**SEE PAGES 6 AND 7 FOR HOLE PATTERNS**

**Items for STEP 23A:**

- (1) 2" x 6" x 21½" board
- (4) #8 x 2½" deck screws

Position the 2" x 6" x 21½" board flush with the ends of the 2" x 4" x 20⅛" boards as shown. Attach with #8 x 2½" deck screws.



**SEE PAGES 6 AND 7 FOR HOLE PATTERNS**

**Picnic Table Attachment To Side**

If you are attaching the Picnic Table to the opposite side of the one shown here, continue following these instructions just mirroring the components.

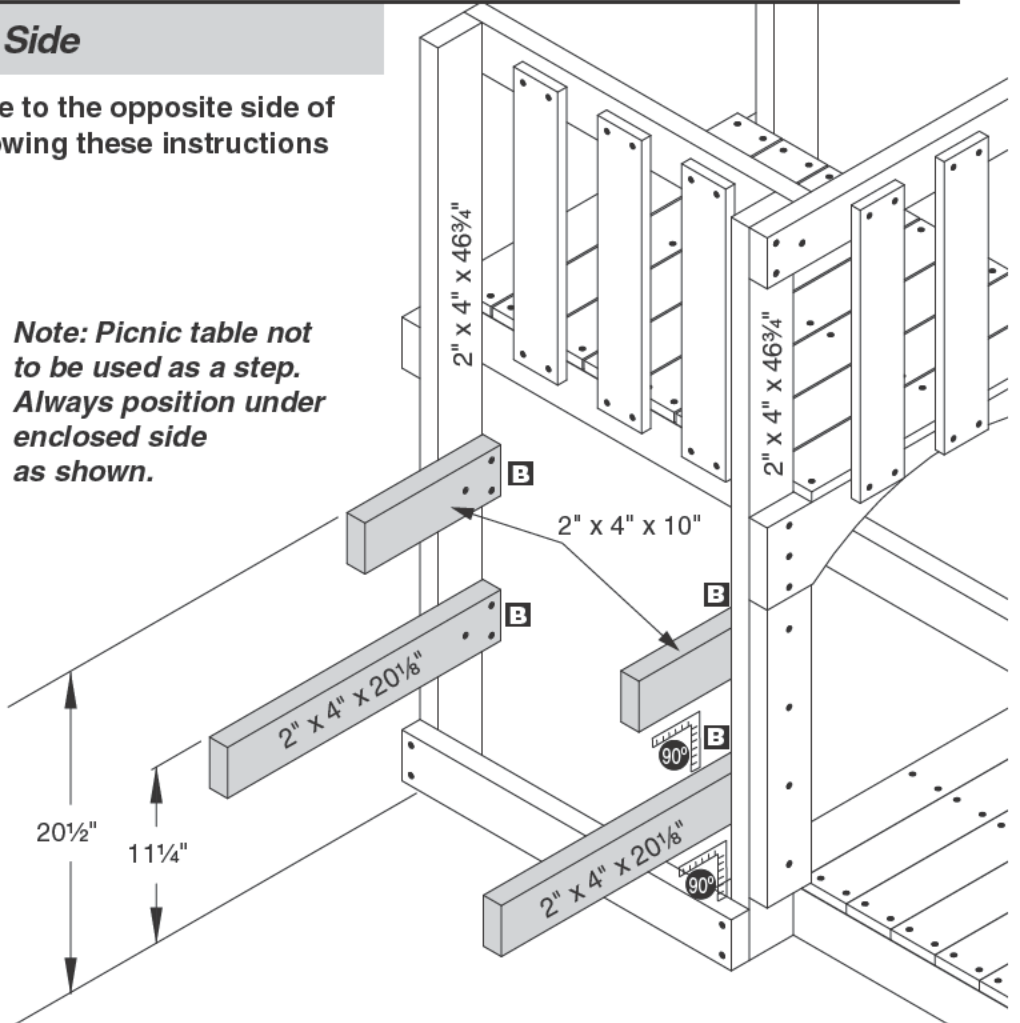
**Items for STEP 20B:**

- (2) 2" x 4" x 10" boards
- (2) 2" x 4" x 20⅛" boards
- (12) #8 x 2½" deck screws

Position 2" x 4" x 10" boards at 20½" up from bottom of tower flush with back of 2" x 4" x 46¾" as shown. Make sure boards remain square while attaching with #8 x 2½" deck screws.

Position 2" x 4" x 20⅛" boards at 11¼" up from bottom of tower flush with back of 2" x 4" x 46¾" as shown. Make sure boards remain square while attaching with #8 x 2½" deck screws.

**Note: Picnic table not to be used as a step. Always position under enclosed side as shown.**

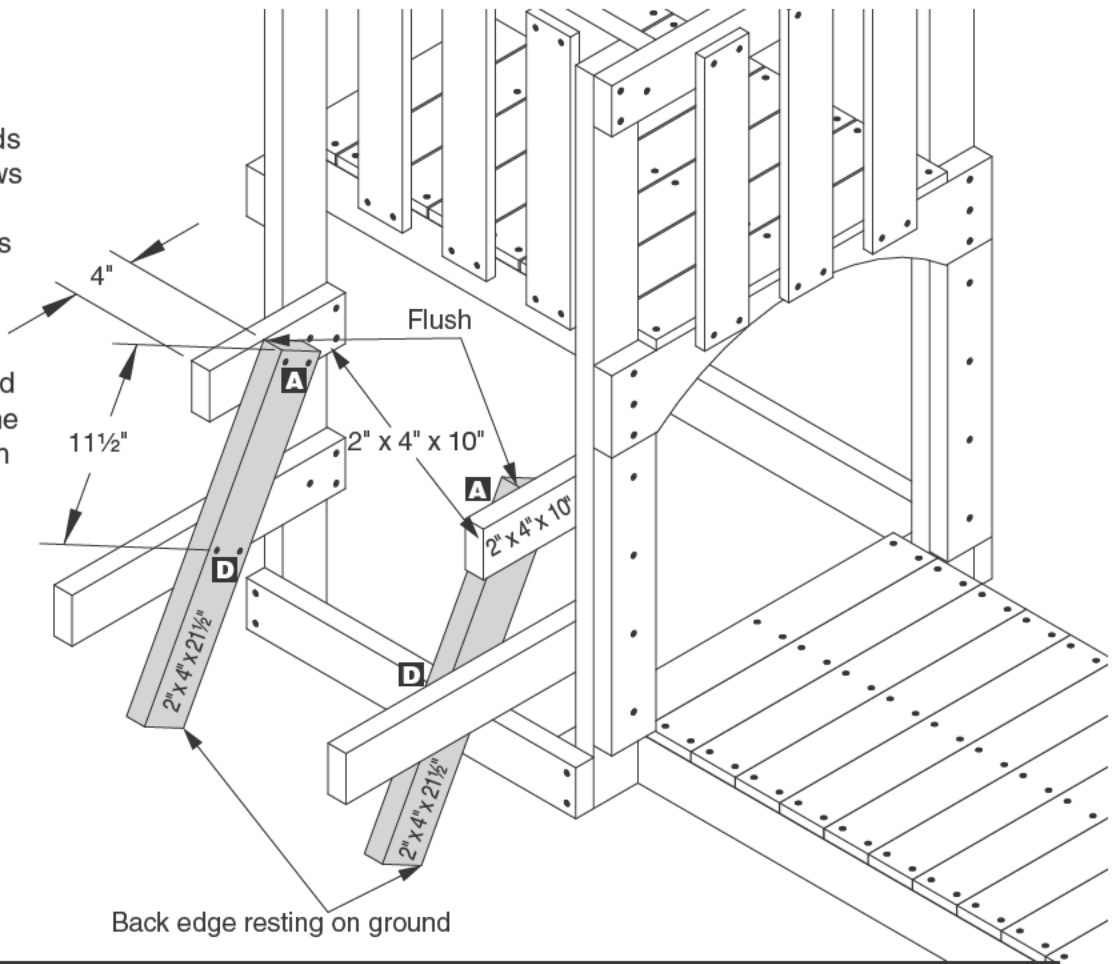


**SEE PAGES 6 AND 7 FOR HOLE PATTERNS**

**Items for STEP 21B:**

- (2) 2" x 4" x 21½" boards
- (8) #8 x 2½" deck screws

Position 2" x 4" x 21½" boards at an angle so that the front corner is flush with the top surface and 4" from the front of the 2" x 4" x 10" boards and the back edge is resting on the ground as shown. Secure with #8 x 2½" deck screws.



**SEE PAGES 6 AND 7 FOR HOLE PATTERNS**

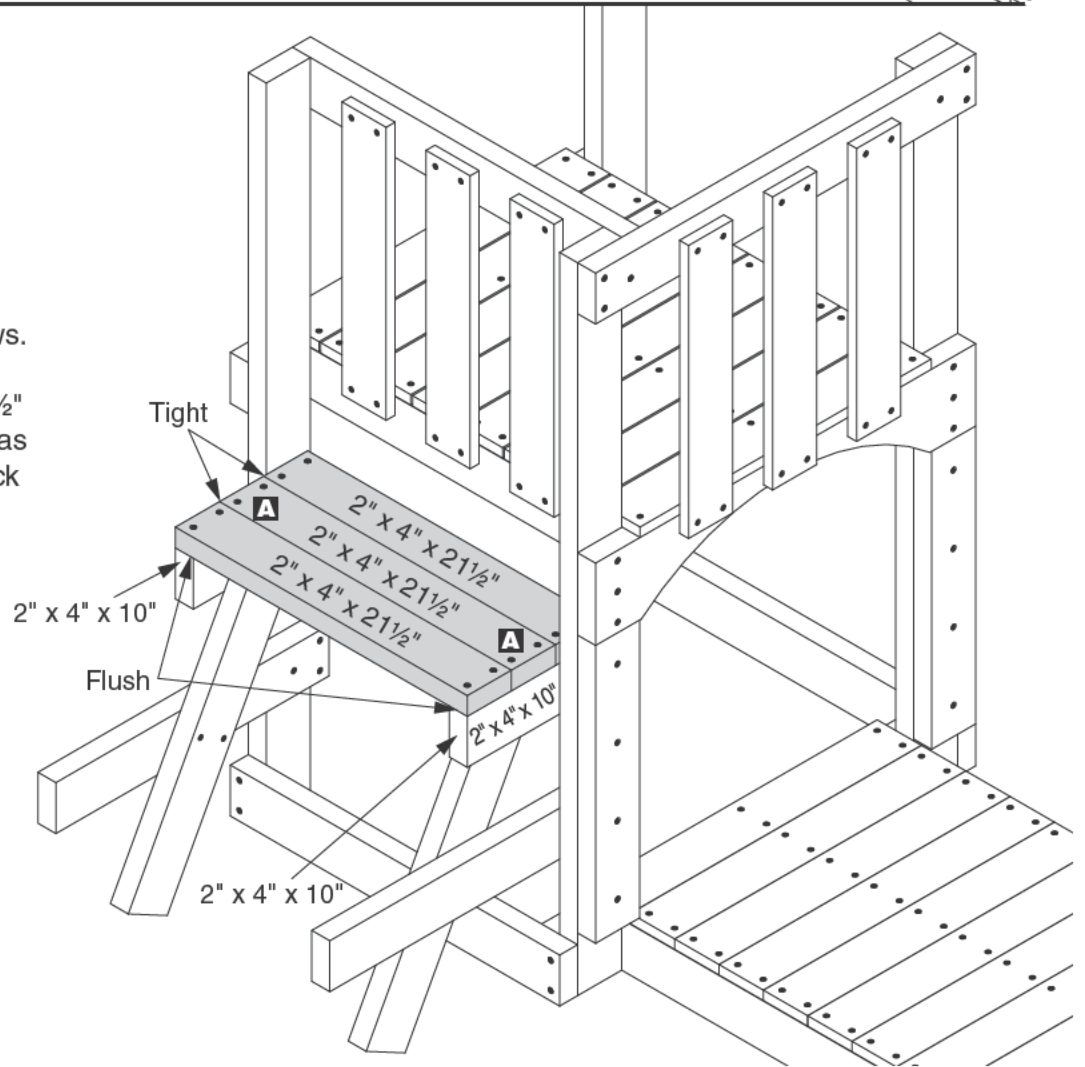
**Items for STEP 22B:**

- (3) 2" x 4" x 21½" boards
- (12) #8 x 2½" deck screws

Position the front 2" x 4" x 21½" board flush with the ends of the 2" x 4" x 10" boards as shown. Attach with #8 x 2½" deck screws.

Position the middle 2" x 4" x 21½" board tight against the first one as shown. Attach with #8 x 2½" deck screws.

Position back 2" x 4" x 21½" board tight against the middle 2" x 4" x 21½" board as shown. Attach with #8 x 2½" deck screws.

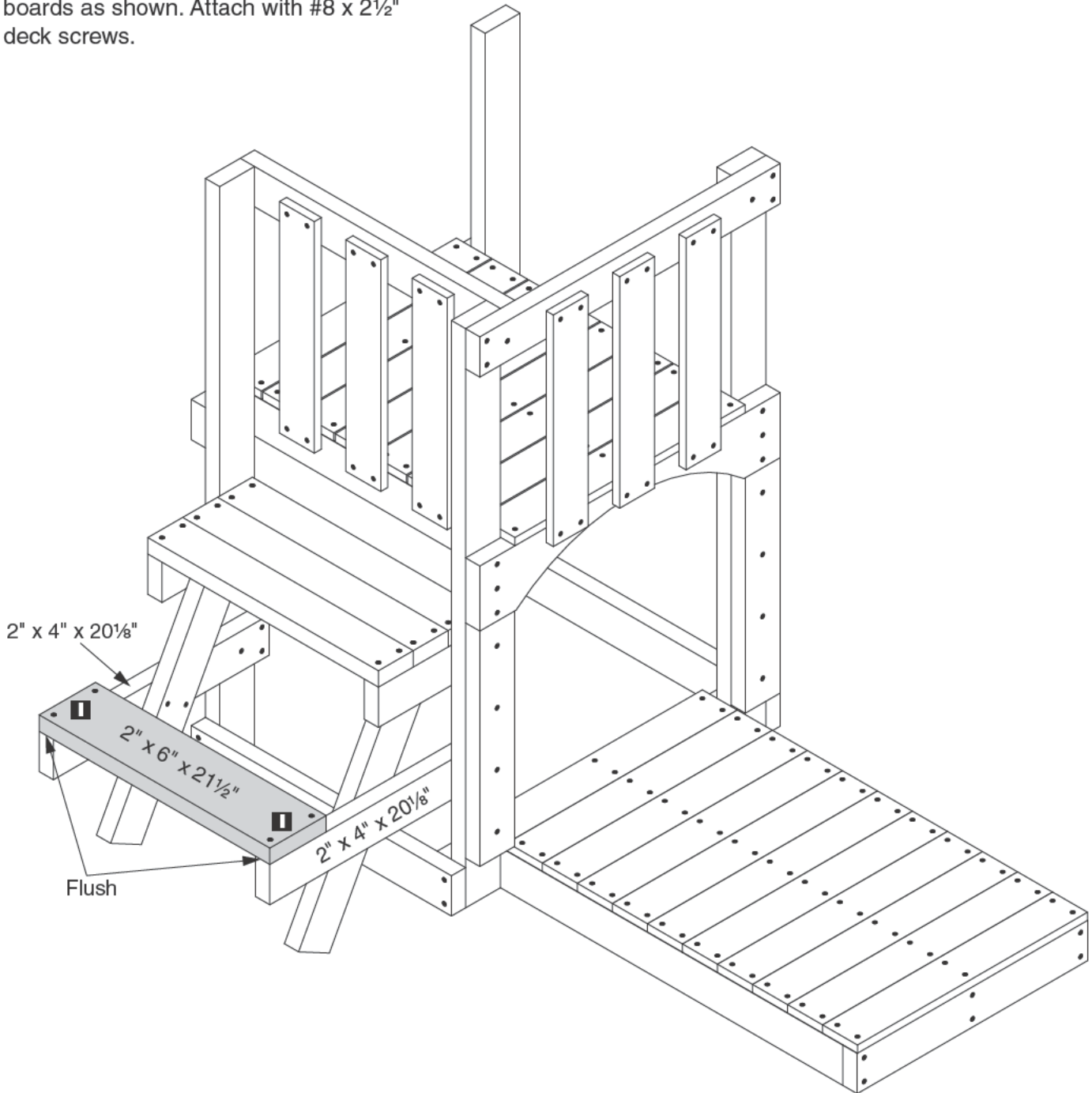


**SEE PAGES 6 AND 7 FOR HOLE PATTERNS**

**Items for STEP 23B:**

- (1) 2" x 6" x 21½" board
- (4) #8 x 2½" deck screws

Position the 2" x 6" x 21½" board flush with the ends of the 2" x 4" x 20⅞" boards as shown. Attach with #8 x 2½" deck screws.



**SEE PAGES 6 AND 7 FOR  
HOLE PATTERNS**



The Toddler Tunnel can be used as a **Stand-Alone** unit or as an **Add-On** Kit to a PlayStar Playhouse or Playset.

If you are building your Toddler Tunnel as a **Stand-Alone** unit, follow the instructions in the **Stand-Alone** section of this book, beginning on the following page. Then skip to the components section (Page 40).

If you are attaching your Toddler Tunnel to a PlayStar Playhouse or Playset, follow the instructions in the **Add-On** section of this book (beginning on page 36). Then skip to the components section (Page 40).



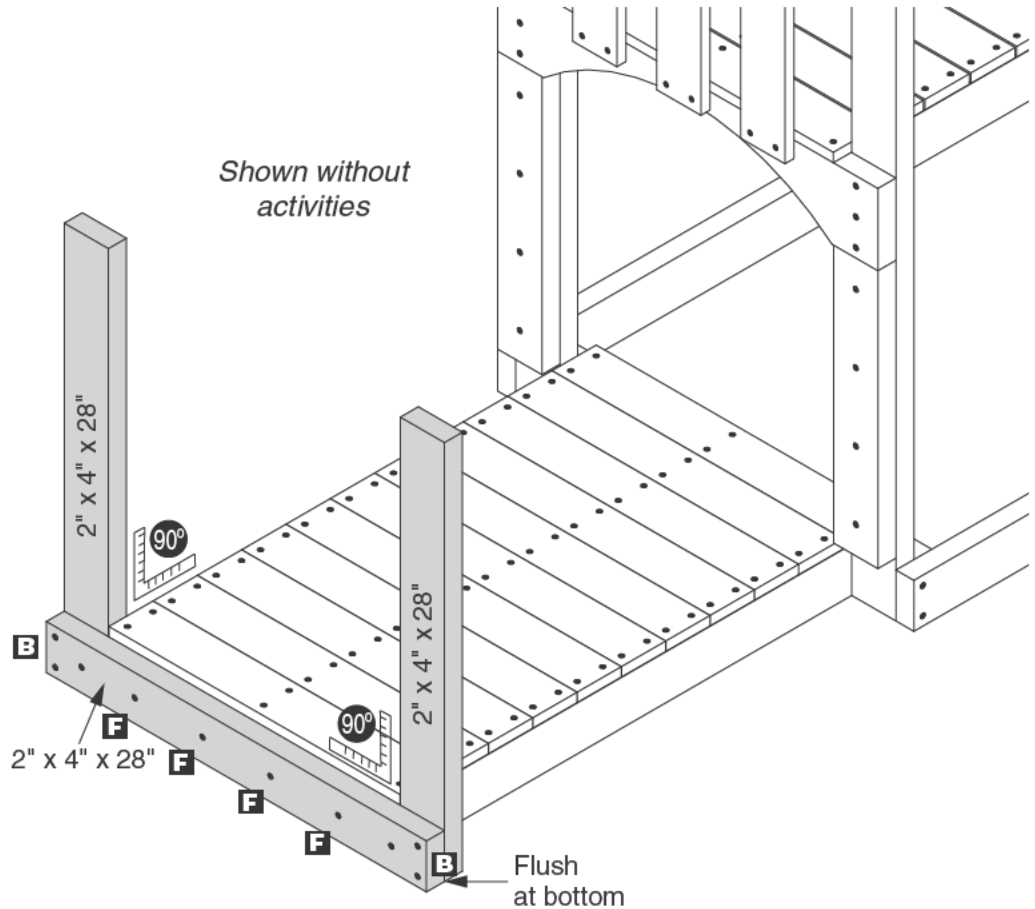
## STAND-ALONE

### Items for STEP 24:

- (3) 2" x 4" x 28" boards
- (10) #8 x 2½" deck screws

Attach one 2" x 4" x 28" board centered with the decking and flush with the bottom as shown.

Attach 2" x 4" x 28" boards to the 2" x 4" x 28" board previously attached in upright position as shown. Make sure boards are square. Secure with #8 x 2½" deck screws.

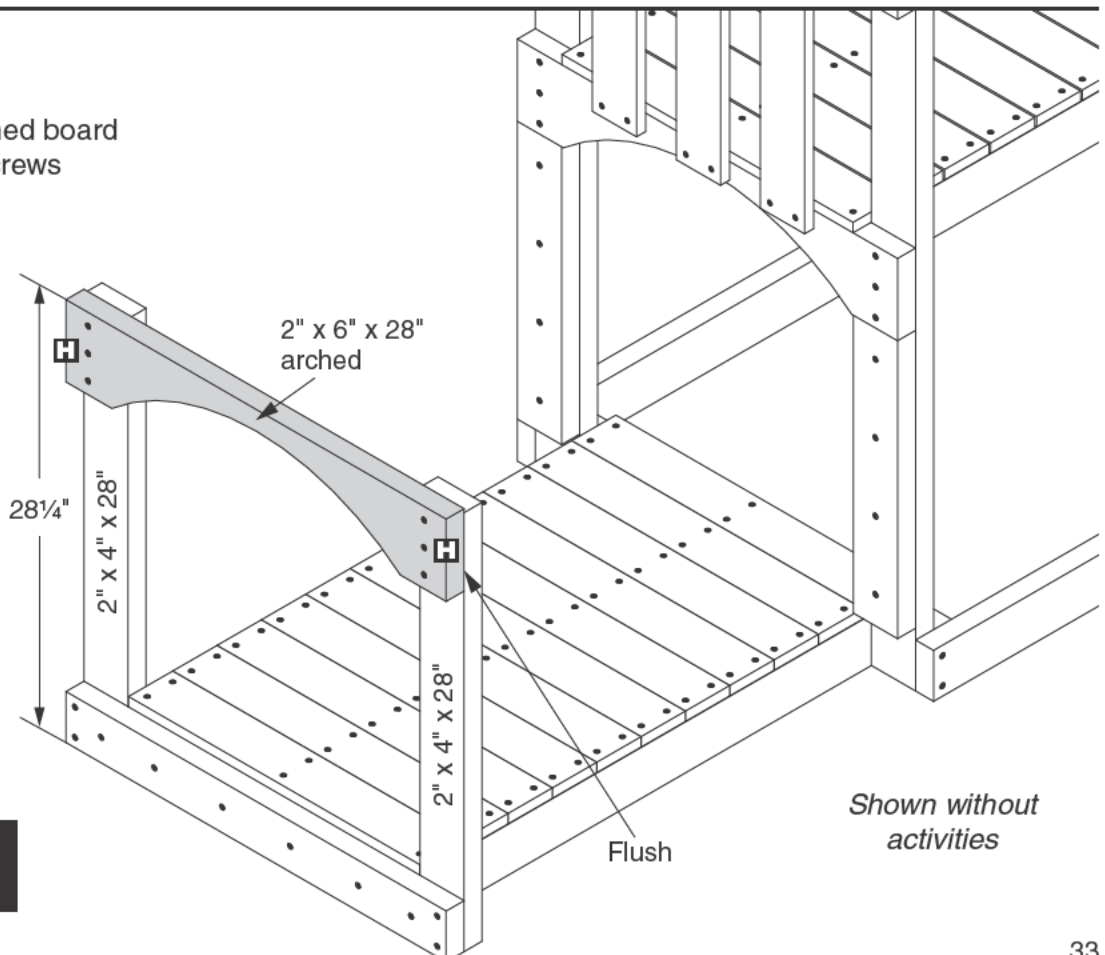


SEE PAGES 6 AND 7 FOR HOLE PATTERNS

### Items for STEP 25:

- (1) 2" x 6" x 28" arched board
- (6) #8 x 2½" deck screws

Attach 2" x 6" x 28" arched board at dimensions shown, ¼" above and flush with the sides of the 2" x 4" x 28" boards as shown. Secure with #8 x 2½" deck screws.

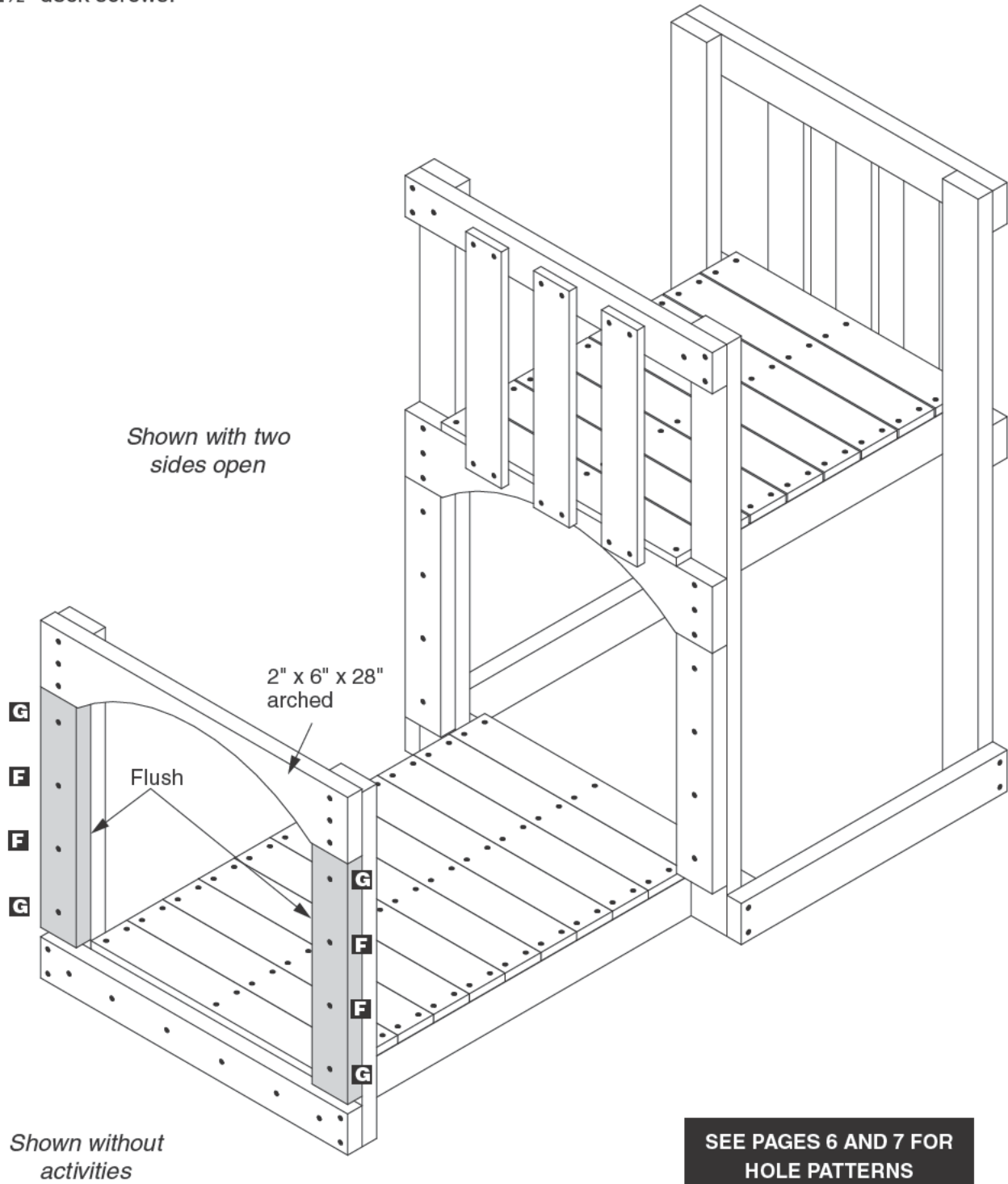


SEE PAGES 6 AND 7 FOR HOLE PATTERNS

**Items for STEP 26:**

- (2) 2" x 4" x 19" boards
- (8) #8 x 2½" deck screws

Attach two 2" x 4" x 19" boards flush with the sides of the opening as shown. Secure with #8 x 2½" deck screws.



**Items for STEP 27:**

- (1) Tunnel
- (36) #8 x 5/8" truss head screws

Position the tunnel into the opening as shown.

Make sure the tunnel is fully inserted and the flanges are firmly resting against the lumber and the ends are flush with the sides of the lumber as shown.

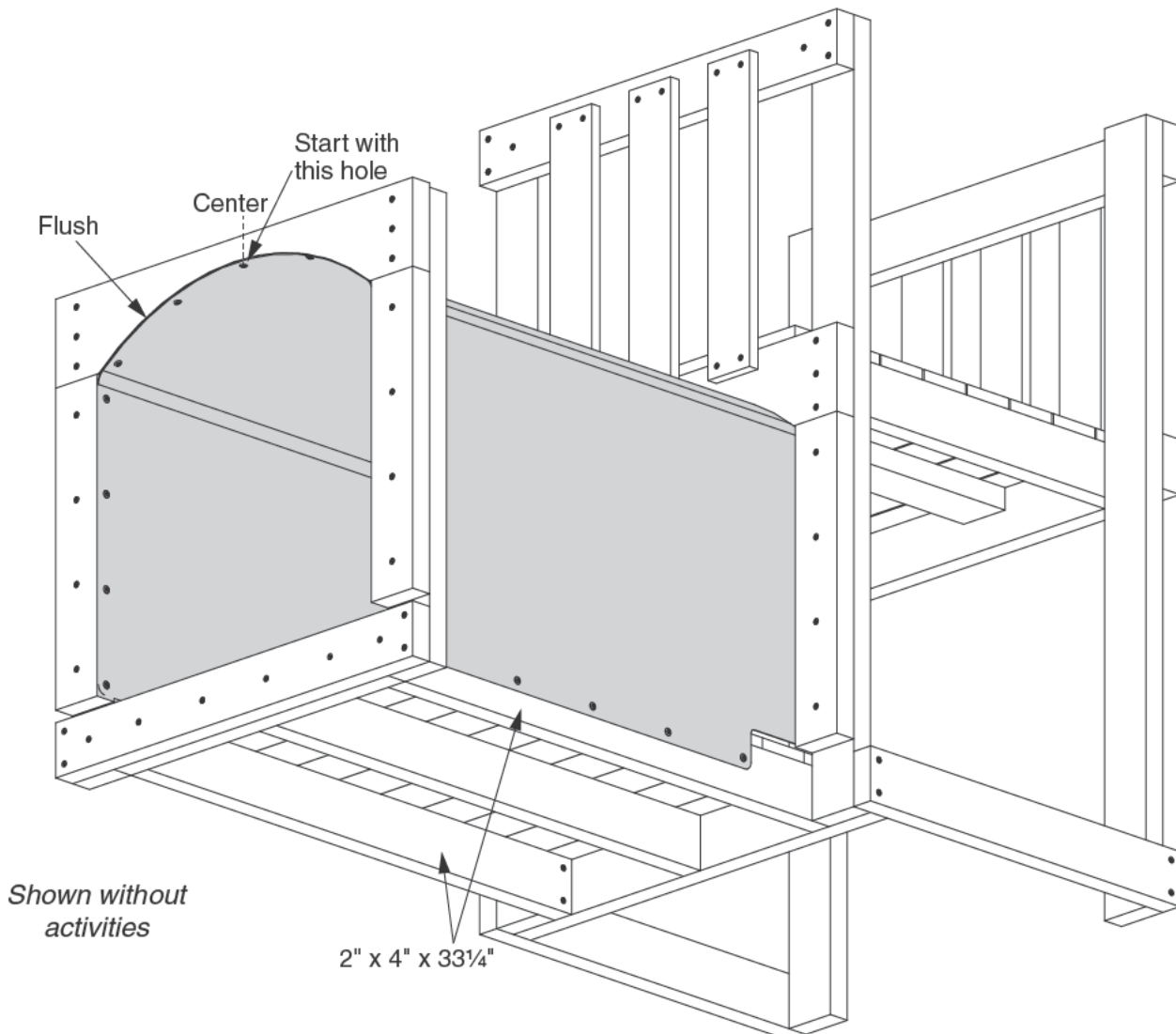
Find the center of the arch and line it up with the screw hole at the top of the tunnel.

Starting with the screw hole located at the top, drill a 1/8" hole, 1/8" deep. Secure with a #8 x 5/8" truss head screw.

Continue with the next adjacent screw hole working your way all the way down, making sure the flanges are firmly resting against the lumber without any bulging.

***Repeat for the other end of the tunnel.***

Secure both sides of the tunnel to 2" x 4" x 33 1/4" boards with #8 x 5/8" truss head screws. Make sure the flanges are firmly resting against the lumber without any bulging.



***Continue to page 40 for component installation.***

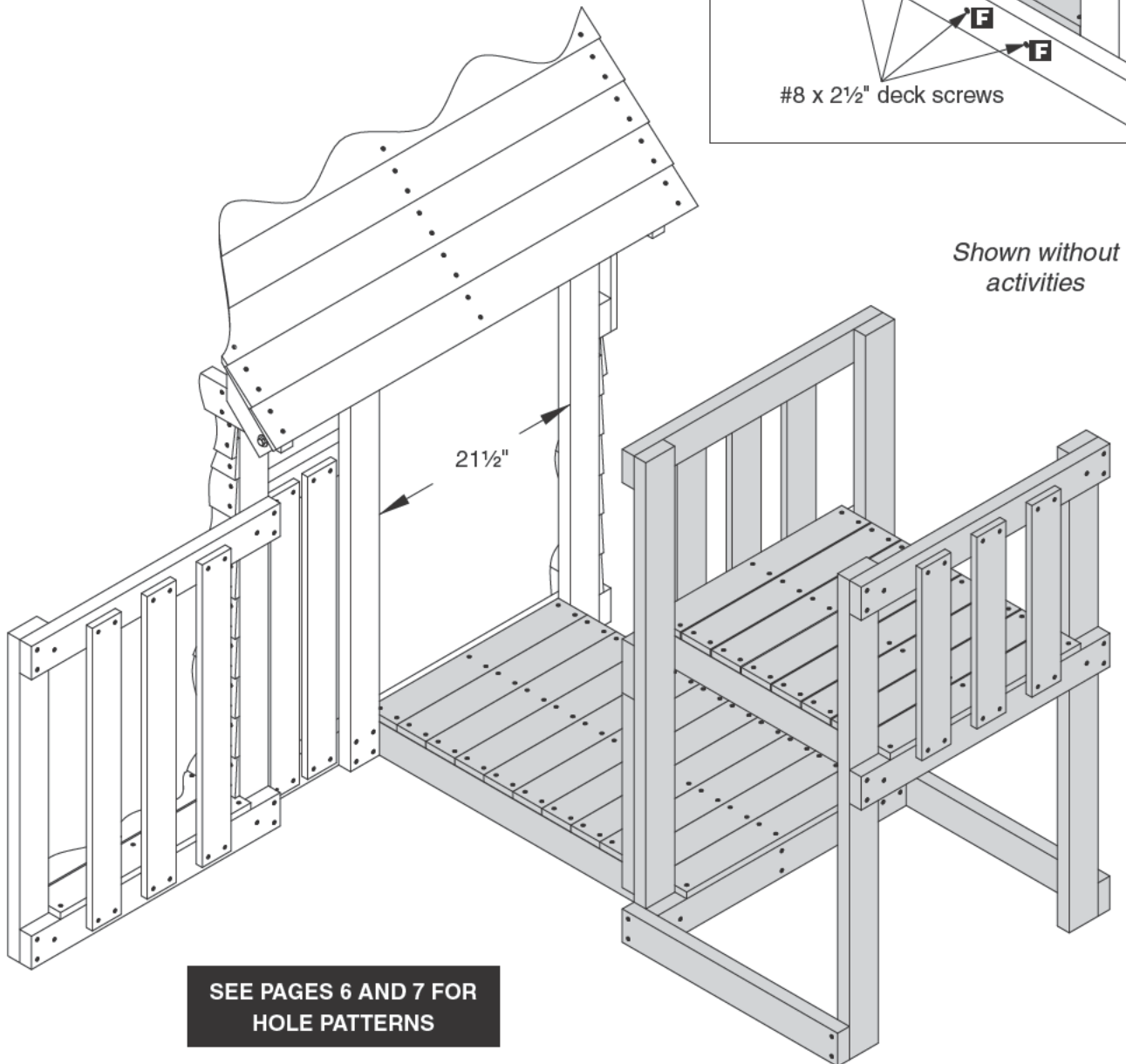
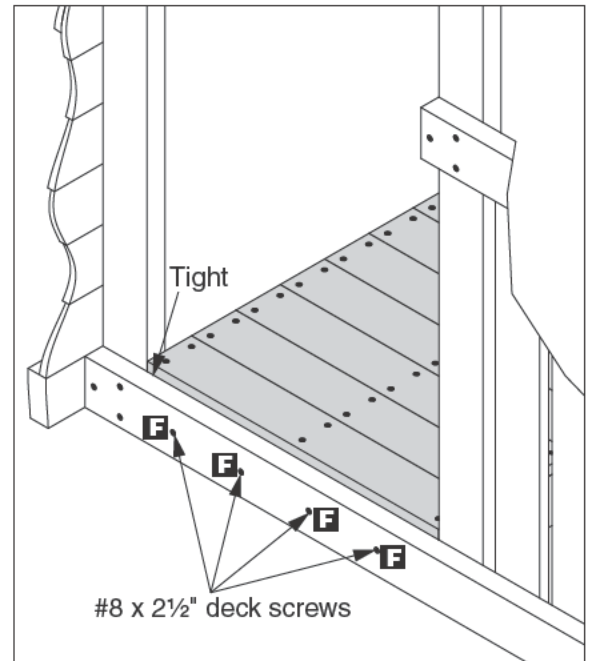
## ADD-ON — ATTACHING TO PLAYSTAR PLAYHOUSE

### Items for STEP 24:

- (4) #8 x 2½" deck screws

Bring the assembly from previous step to its final position as shown. Make sure the back of the decking frame is fully inserted into the Playhouse entryway opening without any gap in between as shown. Secure with #8 x 2½" deck screws from inside of Playhouse.

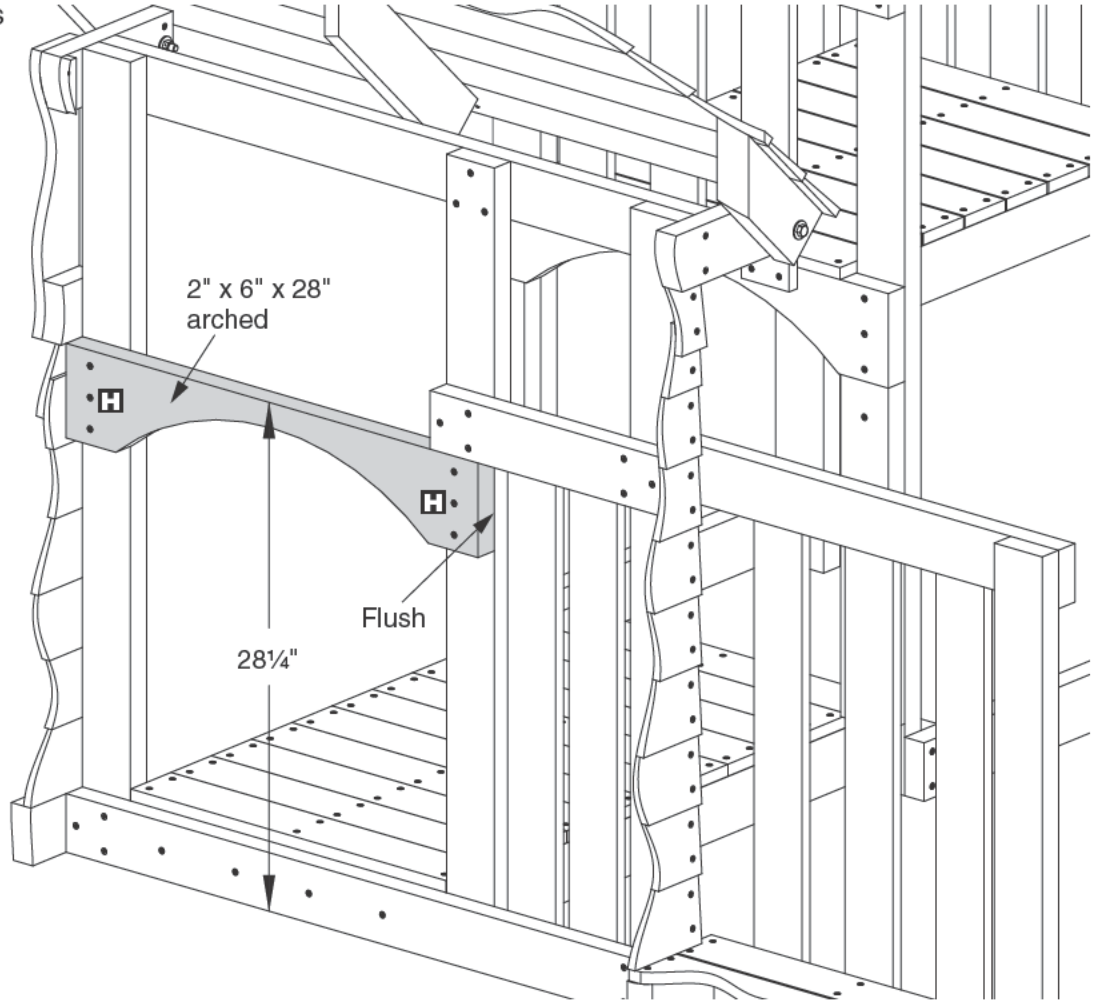
Inside View



**Items for STEP 25:**

- (1) 2" x 6" x 28" arched board
- (6) #8 x 2½" deck screws

From inside of Playhouse attach one 2" x 6" x 28" arched board at the dimension shown, flush with the side of the upright boards as shown. Secure with #8 x 2½" deck screws.

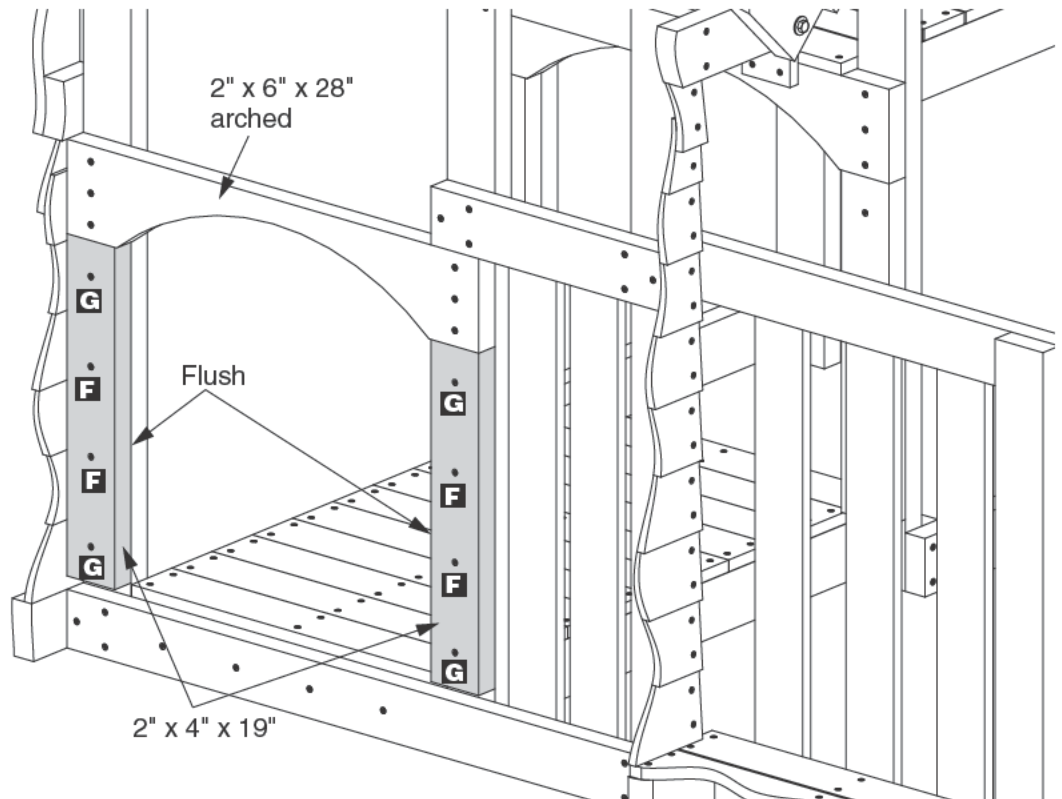


**SEE PAGES 6 AND 7 FOR HOLE PATTERNS**

**Items for STEP 26:**

- (2) 2" x 4" x 19" boards
- (8) #8 x 2½" deck screws

Attach two 2" x 4" x 19" boards flush with the sides of the opening as shown. Secure with #8 x 2½" deck screws.



**SEE PAGES 6 AND 7 FOR HOLE PATTERNS**

**Items for STEP 27:**

- (1) Tunnel
- (36) #8 x 5/8" truss head screws

Position the tunnel into the opening as shown.

Make sure the tunnel is fully inserted and the flanges are firmly resting against the lumber and the ends are flush with the sides of the lumber as shown.

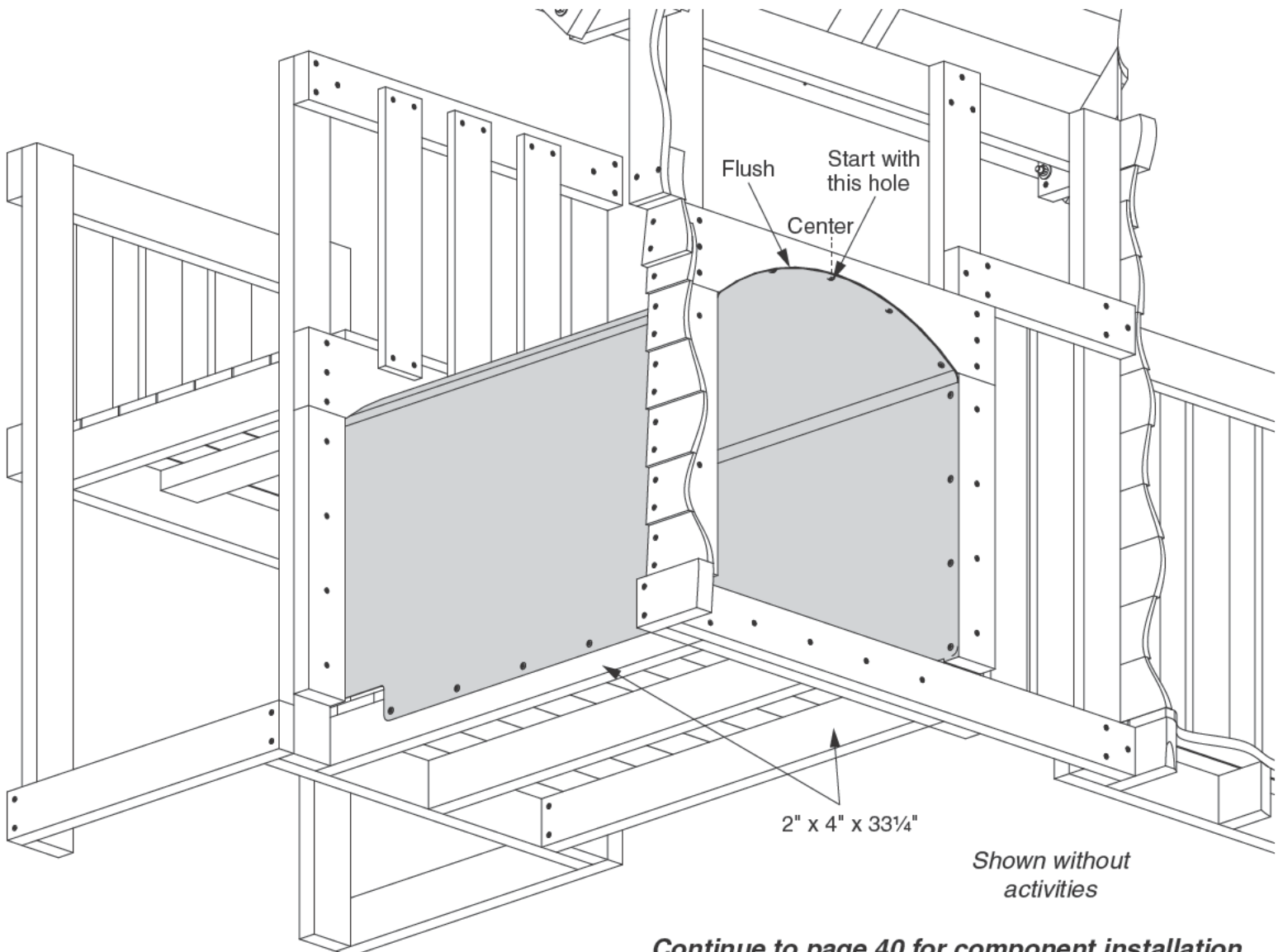
Find the center of the arch and line it up with the screw hole at the top of the tunnel.

Starting with the screw hole located at the top, drill a 1/8" hole, 1/8" deep. Secure with a #8 x 5/8" truss head screw.

Continue with the next adjacent screw hole working your way all the way down, making sure the flanges are firmly resting against the lumber without any bulging.

***Repeat for the other end of the tunnel.***

Secure both sides of the tunnel to 2" x 4" x 33 1/4" boards with #8 x 5/8" truss head screws. Make sure the flanges are firmly resting against the lumber without any bulging.



***Continue to page 40 for component installation.***

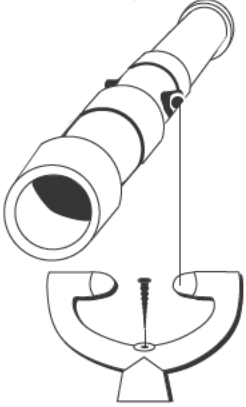
## **ADD-ON — ATTACHING TO PLAYSTAR PLAYSET**

Due to SAFETY Standards the Toddler Tunnel may or may not be attached to a PlayStar Playset; it depends on the specific Model and Design Option.

For information regarding your specific PlayStar playset and design option, please call us toll free at 1-888-PLAYSTAR (752-9782).

The extra lumber and hardware is supplied for those instances when the Toddler Tunnel might be attached to a PlayStar Playset.

# COMPONENTS – Mounting Instructions



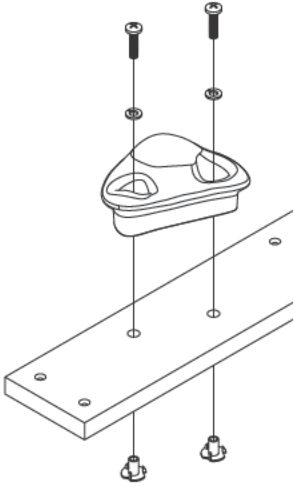
**DISCOVERY TELESCOPE**

1. Determine desired location for pivot.
2. Drill a 1/8" diameter hole 1" deep.
3. Fasten pivot with #8 x 2 1/2" deck screw provided.
4. Snap Discovery Telescope onto pivot.



**PLAY HANDLES**

1. Position Play Handle at desired location.
2. Mark pilot holes.
3. Drill 1/8" holes 1" deep.
4. Secure with #14 x 1 1/4" pan head screws provided.



**CLIMBING ROCKS for RTA**

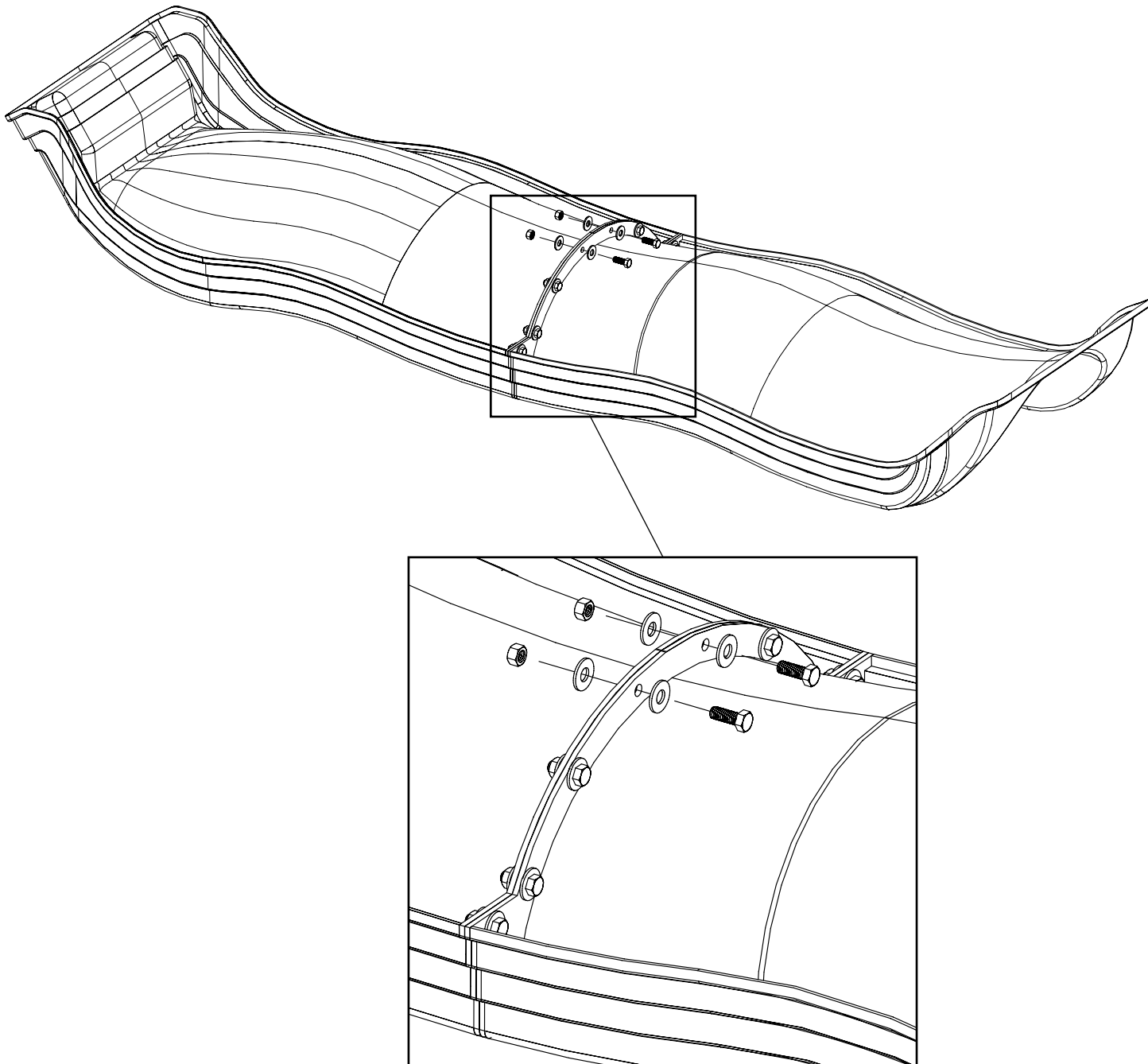
1. Position rocks at desired location.
2. Mark pilot holes.
3. Drill 3/8" holes completely through boards.
4. Hammer in T-nuts from back side.
5. Secure with two 1/4" x 1" machine screws and 1/4" split lock washers provided.



# Assembly Instructions

## PS 8817 or PS 8818 Scoop Wave Slide - 2 Piece (Optional)

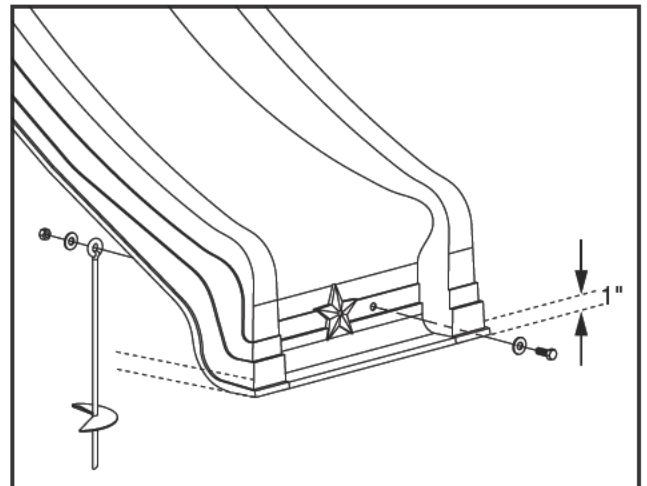
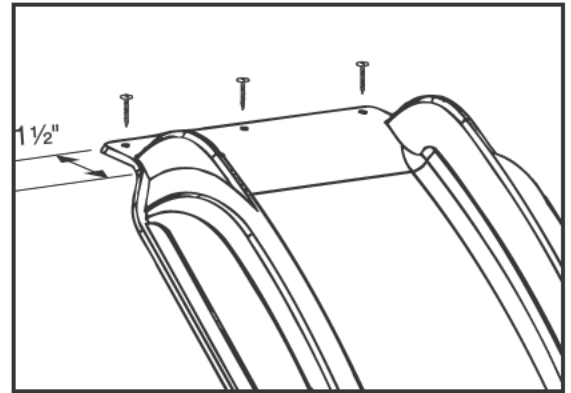
1. On a flat work surface lay the two pieces together, upside down as shown.
2. Secure the two pieces together with ten  $\frac{3}{8}$ " x 1" hex bolts,  $\frac{3}{8}$ " washers and  $\frac{3}{8}$ " lock nuts as shown.



# Mounting Instructions

## *PS 8813 Scoop Slide, PS 8814 Scoop Wave Slide, or PS 8817 and PS 8818 Scoop Wave Slides - 2 Piece (Optional)*

1. Align Slide at right angle (90°) to platform. Lip of Slide should rest on the platform 1½". Using the Slide as a template, mark platform through the three holes in the Slide. Drill three ⅜" holes at marked locations.
2. Attach Slide temporarily to platform with three #14 x 1¼" screws provided.
3. Prepare level area where slide touches ground.
4. Locate and mark the ground on the back side, on either side of the star. Remove Slide and screw Playset Anchor into the ground (a long screwdriver will help.) Screw the anchor deep enough so that the loop at the top of the anchor will be flat against the back surface of Slide when the Slide is in the final position.
5. Reinstall Slide permanently, attaching it to platform using #14 x 1¼" screws provided.
6. Use the Playset Anchor as a drill guide and drill a ⅜" hole completely through the Slide. Attach Slide to anchor with one ⅜" x 1¼" hex bolt, two ⅜" washers, and one ⅜" lock nut provided.
7. Fill in around bottom of Slide to make surface level to surrounding grade.



**Caution:** *Failure to anchor the Slide properly could cause serious injury from children lifting the Slide.*

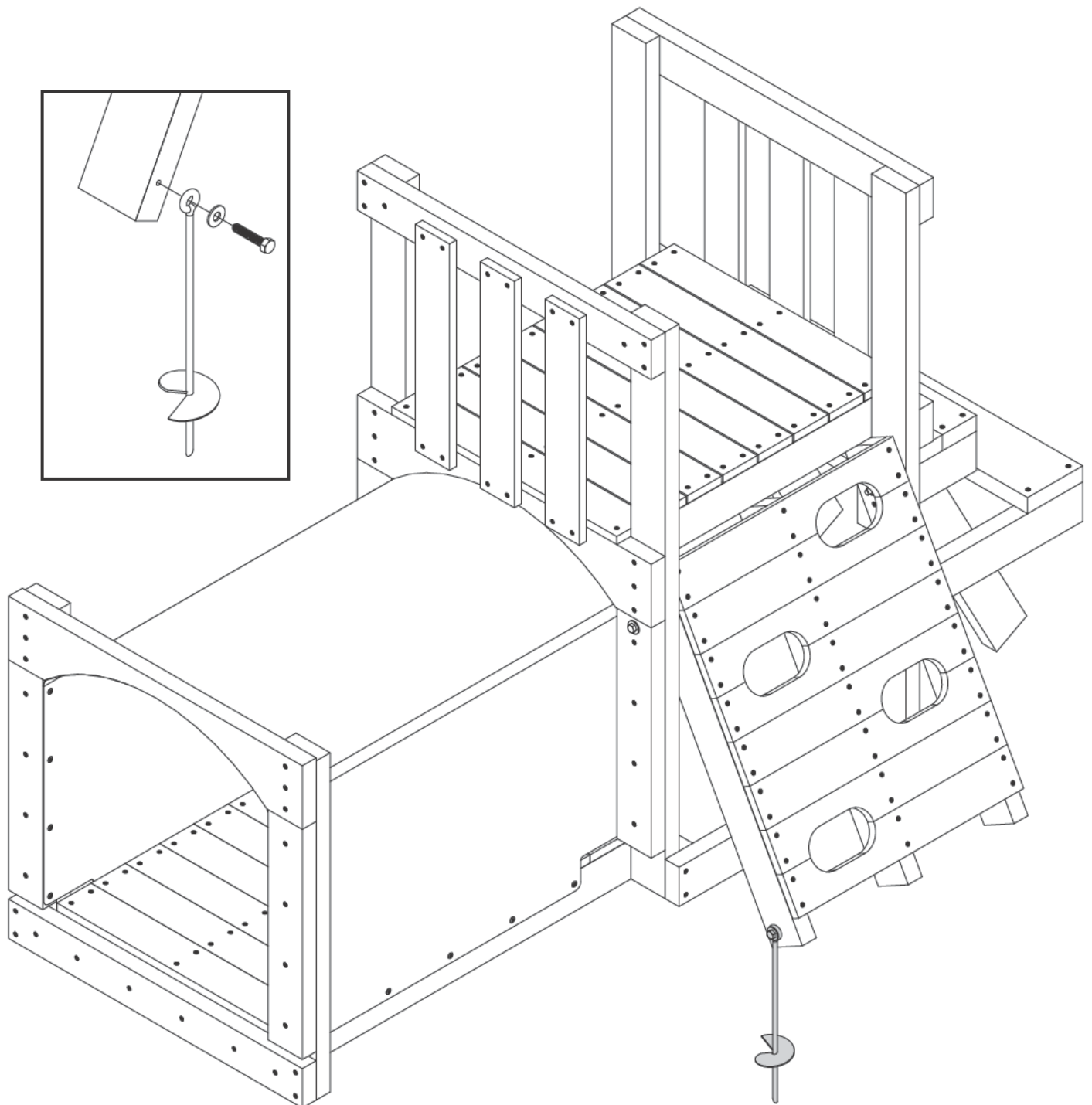
**Caution:** *Do not install this Slide over concrete, asphalt, packed earth, or any other hard surface. A fall onto a hard surface can result in serious injury to the equipment user.*

# ANCHORING

At the base of the Rock Wall, screw Playset Anchor into ground by hand (a long screwdriver will help).

Use the anchor as a drill guide and drill a  $\frac{1}{4}$ " hole 1" deep into the board. Attach with  $\frac{3}{8}$ " x  $1\frac{1}{2}$ " lag screw and  $\frac{3}{8}$ " washer.

If soil conditions permit anchors to be pulled out easily, such as in sandy soil conditions, cementing is required. If your ground is too hard to screw in the anchors, you can remove the earth with a shovel. Install the anchors and compact the earth as you replace it. Anchors must be placed below the level of the shock-absorbing surfacing material to prevent tripping or injury resulting from a fall.



# IMPORTANT – PLEASE READ

Thank You for choosing PlayStar. Because it is our intention to make this a positive family experience, we have taken great care in preparing this product.

All boards have been properly dried, thoroughly inspected for quality and dimensionally correct prior to packaging.

Occasionally a piece of lumber may develop a slight twist or bow due to changing humidity levels during transportation or storage. If this occurs, it can be straightened when attaching boards during the assembly process.

In a rare instance a severe twist or bow may occur and cause the board to be un-usable. If this happens do not return the board to the store.

Please call our friendly Customer Service Department for immediate action.

If we can assist you in any way  
Do not return to the store.

**Please call us Toll Free at 1-888-PLAYSTAR**  
(752-9782)

Monday through Friday, 8:00 A.M. to 5:00 P.M. C.S.T.

Ask for Customer Service.

*We Will Gladly Help!*



PlayStar, Incorporated, Janesville, WI 53547

© 2015, 2009 PlayStar, Inc. Reproduction of this document in part or whole is prohibited without the permission of PlayStar, Inc.

Protected by one or more of the following United States or Foreign Patents: US D418,189; US D409,708; US D424,154; US D428,637; US 6,402,663; US D422,332; US D410,059; US 6,068,557; US 6,302,801; US 6,482,095; US 6,039,654; US D410,060; US D424,649; US 6,361,445; CA 2,304,345; US 6,540,645; US 6,709,365; US 6,942,600; US D513,779; US 6,991,550; CA D109,228; CA D109,224; CA D109,225; CA 2,304,113; US 6,629,907; US D517,636; US D518,530; US D520,590; US 520,591; US D534,613; US 7,186,183; US 7,189,034; US 7,253,951; US D548,760; US 7,304,810; CA D109,227; CA D109,226; CA D112,355; CA D113,437; CA D113,442; CA D114,067; CA D114,068; CA 2,304,896; CA D119,674; US D573,222; US 7,419,437; CA 2,304,068; CA 2,488,576; US D580,507; US D585,570; CA 2,490,923; CA 2,304,341; US 7,594,875; CA 2,304,043; CA 2,529,276; CA 2,633,628; CA 2,633,056; US 7,594,875; CA 2,498,701; CA 2,495,136; CA 2,488,600; CA 2,488,574