

# Z-Wave wall mount 5-scene keypad Aspire & decorator series

Project Name:	Prepared By:
Project Number:	Date:
Catalog Number:	Type:



RFWC5



RFWC5D

## Description

120V/AC, 60Hz

### Design features for 5-scene keypad

- All OFF button provides easy access for turning OFF all devices associated with scene keypad
- Aesthetic form factor matches our Z-Wave smart dimmers and switches, providing unified look across wall devices
- Fits standard-sized wallbox and utilizes existing 120V/AC, 60Hz (neutral wire required)
- Activates scenes associated with Z-Wave devices and other Z-Wave® compliant devices
- Provides individual scene DIM/BRIGHT function by pressing and holding any active (ON) scene's button
- Stores up to 5 scenes for activation (ON/OFF)
- Blue LED provided on each button for scene status notification
- Blue LEDs provides night light feature by dimming when scene has been deactivated
- Single button programming
- Transfer function on Eaton's primary controllers allows user to easily copy scene information from controller to each button on scene keypad
- Patented indicator system alerts if scene keypad is not set up in the network
- Keypad button kits available by special order

**Table 1. Z-Wave Wall Mount 5-Scene Keypad**

Catalog No.	Description	Rating V/AC	Color Suffix
<input type="checkbox"/> RFWC5_	5-button kit, Aspire	120	AW, DS, WS, SG
<input type="checkbox"/> RFWC5D_	5-button kit, decorator	120	W, LA, BK

**Table 2. Button Kits**

Catalog No.	Description	Rating V/AC	Color Suffix
<input type="checkbox"/> RFWC5K_	5-button kit, Aspire	120	AW, DS, WS, SG
<input type="checkbox"/> RFWC5KD_	5-button kit, decorator	120	W, LA, BK

Compliances, specifications and availability are subject to change without notice.



Powering Business Worldwide

Project Name:	Prepared By:
Project Number:	Date:
Catalog Number:	Type:

## Applications

The Z-Wave wall mount 5-scene keypad (RFWC5 & RFWC5D) serves as a flush mounted device for activating up to 5 scenes by manually pushing one of the five buttons on the face of the device. The scene keypad has 5 buttons, with LEDs, for turning individual scenes both ON and OFF. Each individual scene can be brightened or dimmed by pressing and holding any active (ON) scene's corresponding button. The button located on the side of the device transmits an All-OFF command to only the devices associated with that scene controller. Scenes are a group of devices set to customized levels or states. The 5-scene keypad utilizes existing 120V/AC, 60Hz standard house wiring and fits in standard-sized wallboxes.

**Table 3. Specifications**

Catalog No.	RFWC5 & RFWC5D
<b>Device Type</b>	<b>Wall Mount 5-Scene Keypad</b>
<b>Wiring Type</b>	Keypad has 3 pre-stripped 6" wire leads for line, neutral and ground
<b>Testing &amp; Code Compliance</b>	cULus Listed to UL 6B28 NOM Certified Complies with FCC Part 15, Class B Z-Wave Compliant Certified
<b>Environmental Specifications</b>	<b>Flammability:</b> Meets UL 94 requirements; V2 rated <b>Temperature Rating:</b> 32°F to 104°F (0°C to 40°C)
<b>Electrical Specifications</b>	<b>Rating:</b> 120V/AC, 60 Hz Uses 300 Series Z-Wave chip @ 40Kb/sec. <b>Performance Consideration:</b> A Z-Wave enabled device must be within 60 feet of another Z-Wave enabled device to participate in a Z-Wave wireless mesh network.
<b>Mechanical Specifications:</b>	<b>LED Indicators:</b> Blue LEDs act as location lights when scene is deactivated and brighten when scene is activated.

**Table 4. Materials**

Catalog No.	RFWC5K & RFWC5KD
<b>Device Type</b>	<b>Wall Mount 5-Scene Keypad</b>
<b>Top Housing</b>	Polycarbonate
<b>Bottom Housing</b>	Polycarbonate
<b>Strap</b>	Aluminum
<b>Form Factor</b>	Decorator
<b>Finish</b>	Gloss

**Table 5. Color Ordering Information**

For ordering devices, include catalog no. followed by the color suffix: AW (Alpine White), DS (Desert Sand), Silver Granite (SG), WS (White Satin), DBK (Decorator Black), DLA (Decorator Light Almond), DW (Decorator White).

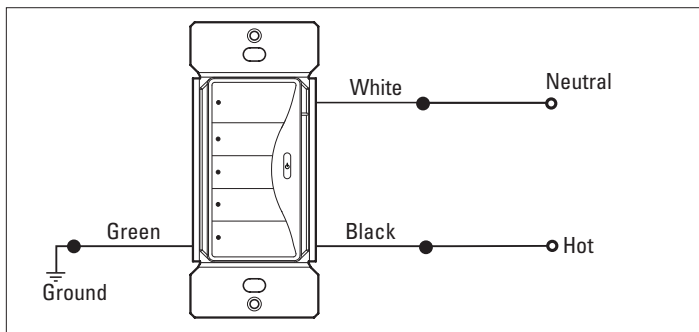
**Aspire series color options:**



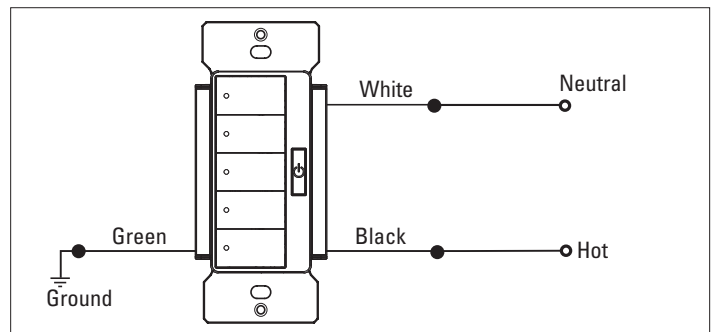
**Decorator series color options:**



## Wiring Diagrams



**Figure 1. RFWC5**



**Figure 2. RFWC5D**

Project Name:	Prepared By:
Project Number:	Date:
Catalog Number:	Type:

### Product Dimensions

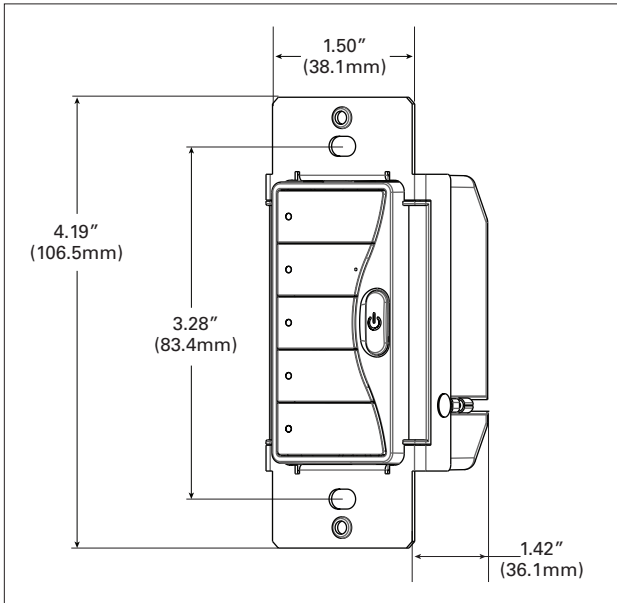


Figure 3. RFWC5 Line Art with Dimensions

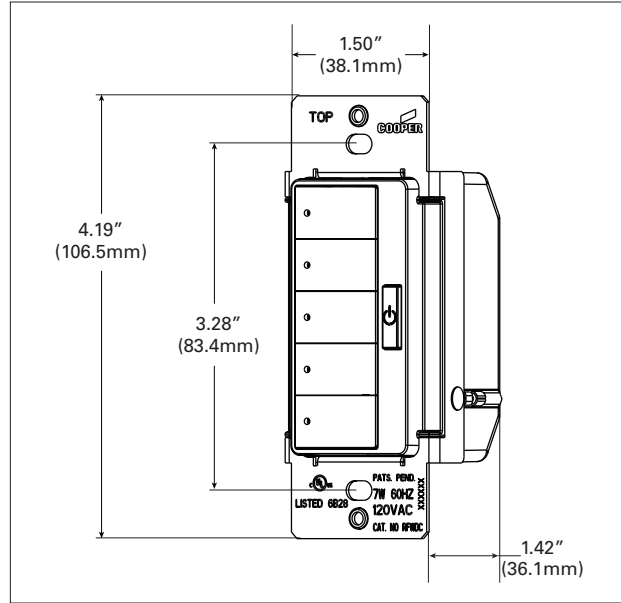


Figure 4. RFWC5D Line Art with Dimensions

### Certifications & Compliances

Catalog No.	cULus	NOM 426	FC
RFWC5	•	•	•
RFWC5D	•	•	•

KEY: cULus cULus NOM 426 NOM FCC FC



### Related Products

#### Aspire RF controllers



RFTDCSG

#### Aspire series Z-Wave products



RF9540-NAW RF9501AW RF9505-TAW

#### Decorator series Z-Wave products



RF9540-NDW RF9501DW RFLDM/RFAPM

Compliances, specifications and availability are subject to change without notice.

Electrical Sector  
203 Cooper Circle  
Peachtree City, GA 30269  
United States  
Eaton.com  
Eaton.com/wiringdevices

Electrical Sector  
Canada Operations  
5925 McLaughlin Road  
Mississauga, Ontario, L5R 1B8  
Canada  
EatonCanada.ca  
Eaton.com/wiringdevices

Electrical Sector  
Mexico Operations  
Carr. Tlalnepantla -  
Cautitlan Km 178 s/n  
Col. Villa Jardin esq.  
Cerrada 8 de Mayo  
Cautitlan, Mexico CP 54800  
Mexico  
Eaton.mx  
Eaton.com/wiringdevices



Eaton  
1000 Eaton Boulevard  
Cleveland, OH 44122  
United States  
Eaton.com

© 2016 Eaton  
All Rights Reserved  
Printed in USA  
Publication No. TD610035EN  
November 2016

Eaton is a registered trademark.  
All other trademarks are property  
of their respective owners.