

BARNDOOR

• H A R D W A R E •



HARDWARE KIT

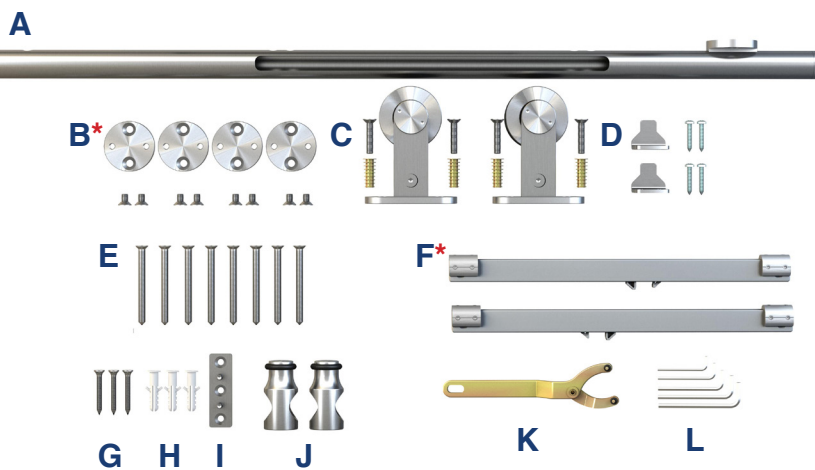
FOR SLIDING SINGLE WOOD DOORS



304 Grade Stainless Steel

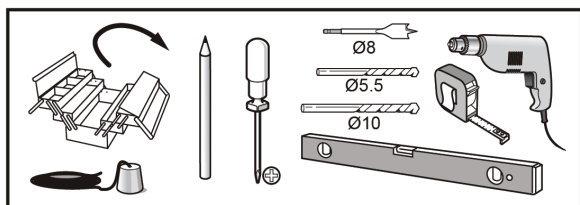
MODEL No. 5APD10762

INSTALLATION MANUAL



TOOLS REQUIRED

INCLUDED IN KIT

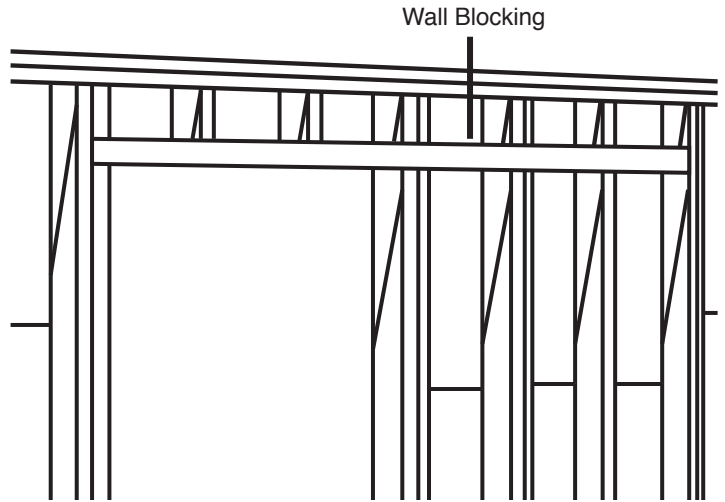
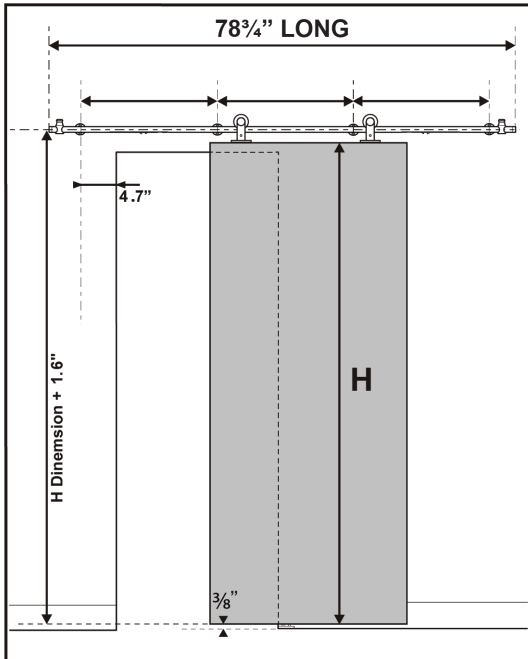


- Plumb Line
- Pencil
- Phillips Head Screwdriver
- 8mm Routing Drill Bit
- 5.5mm Drill Bit
- 10mm Drill Bit
- Level
- Tape Measure
- Power Drill

A	78-3/4" Rail	x1
B	Wall Bracket*	x4
C	Door Roller Hardware	x2
D	Soft Close Trigger Hardware	x2
E	M6x70 Bolt	x8
F	Soft Close Mechanism*	x2
G	ST5.5x32 Screw	x3
H	Floor Anchor	x3
I	Routed Floor Guide	x1
J	Door Stops	x2
K	Adjustable Installation Wrench	x1
L	Allen Keys	x1

* Soft Closing Mechanisms and wall brackets are pre-attached to rail.

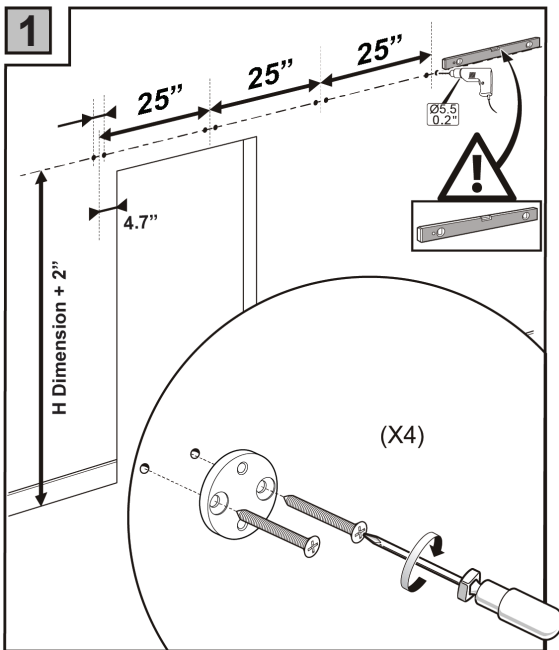
American Pro Decor assumes no liability for improper installation.



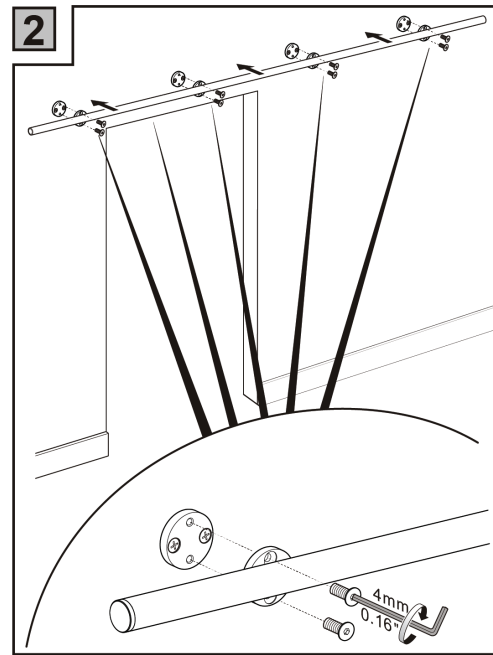
NOTES

1. To obtain maximum weight capacity, all fasteners must be mounted into solid wood studs or wall blocking or mounted to a header board.

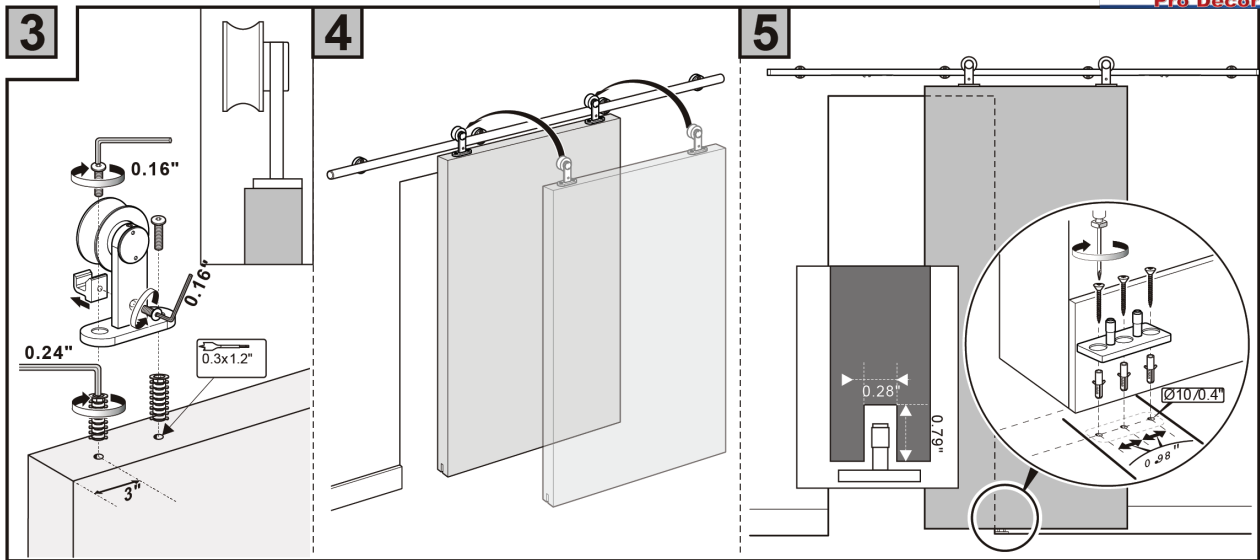
Find the centerline of the track. Using a level, mark a horizontal line twice the door width long. Mark the bracket screw locations into the wall blocking. Attach the wall portion of the brackets as shown. Consult a structural engineer if you have questions about what type of wall blocking is required.



Brackets must be secured into wall blocking.



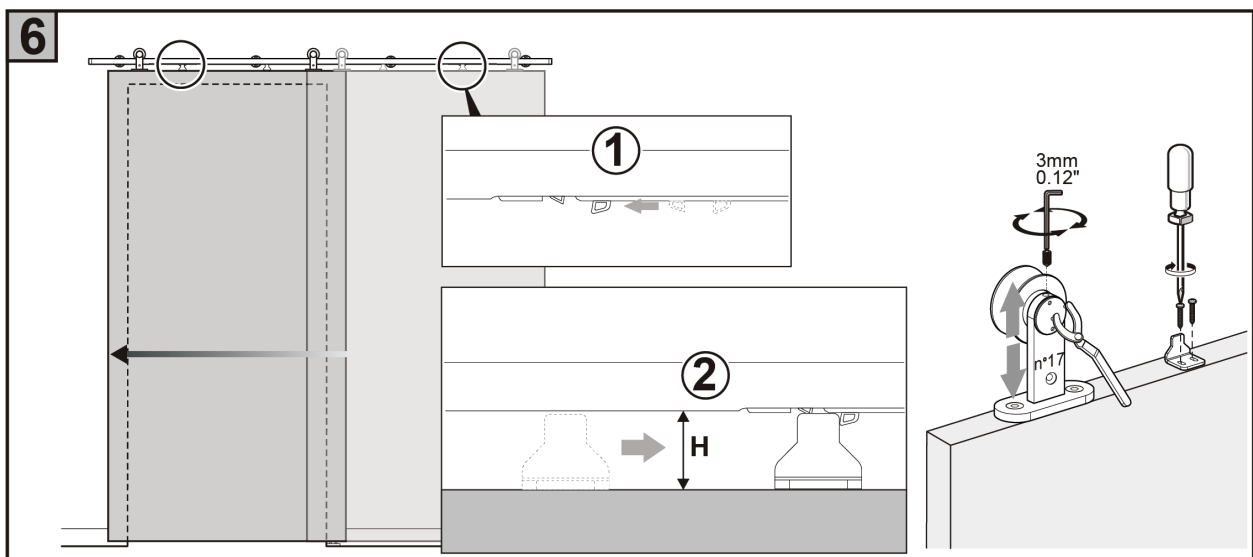
Attach rail to wall as shown.



3. Remove the anti-rise pin using the provide Allen key. Drill holes in the top of the door from the edge as pictured to accommodate the door rollers. The bottom of the doors should be routed at this time in order to accept the floor guide.

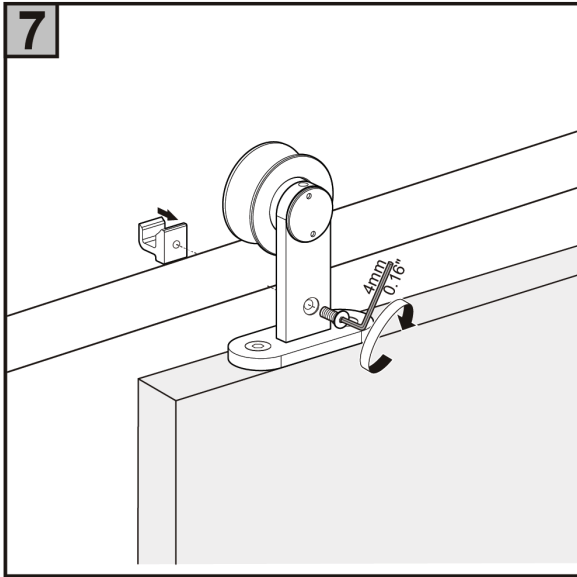
4. Position the door to the rail

5. Plumb the door and mark the positions of the floor guides. Mount the floor guides to the floor.

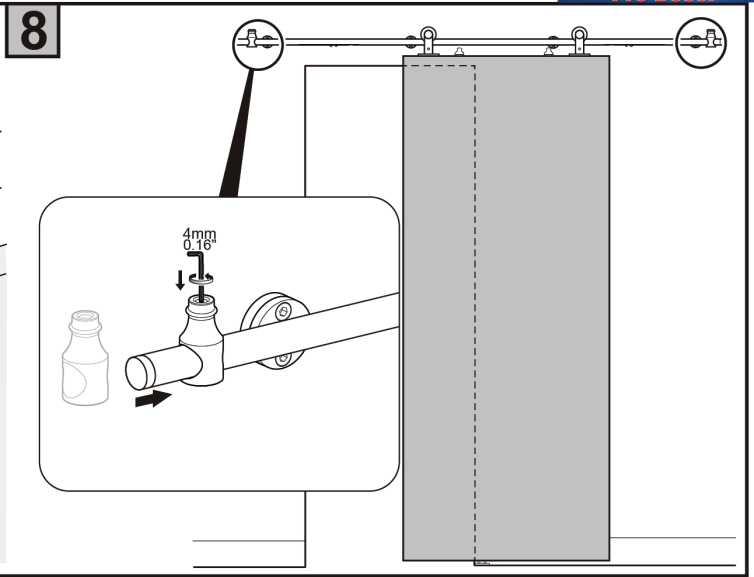


Set the catches on the soft-closing mechanism to the open position. To determine the positioning of the soft-close triggers, it is recommended that the doors be moved to the fully open position. Determine where the soft-close trigger would engage the soft-close mechanism and mark your drill holes on the top of the door. Move the door to the fully closed position and repeat to determine the placement of the second soft-close trigger.

It may be necessary to adjust the height of the door roller hardware in order to accommodate the soft-close trigger. Make any adjustments with the provided adjustable installation wrench then mount the soft-close triggers to the door.



7 Reattach the anti-rise pin to the door rollers



8 Adjust the door stops accordingly. Tighten the set screw with sufficient force to drive the set screw into the bar after making the final adjustment.

