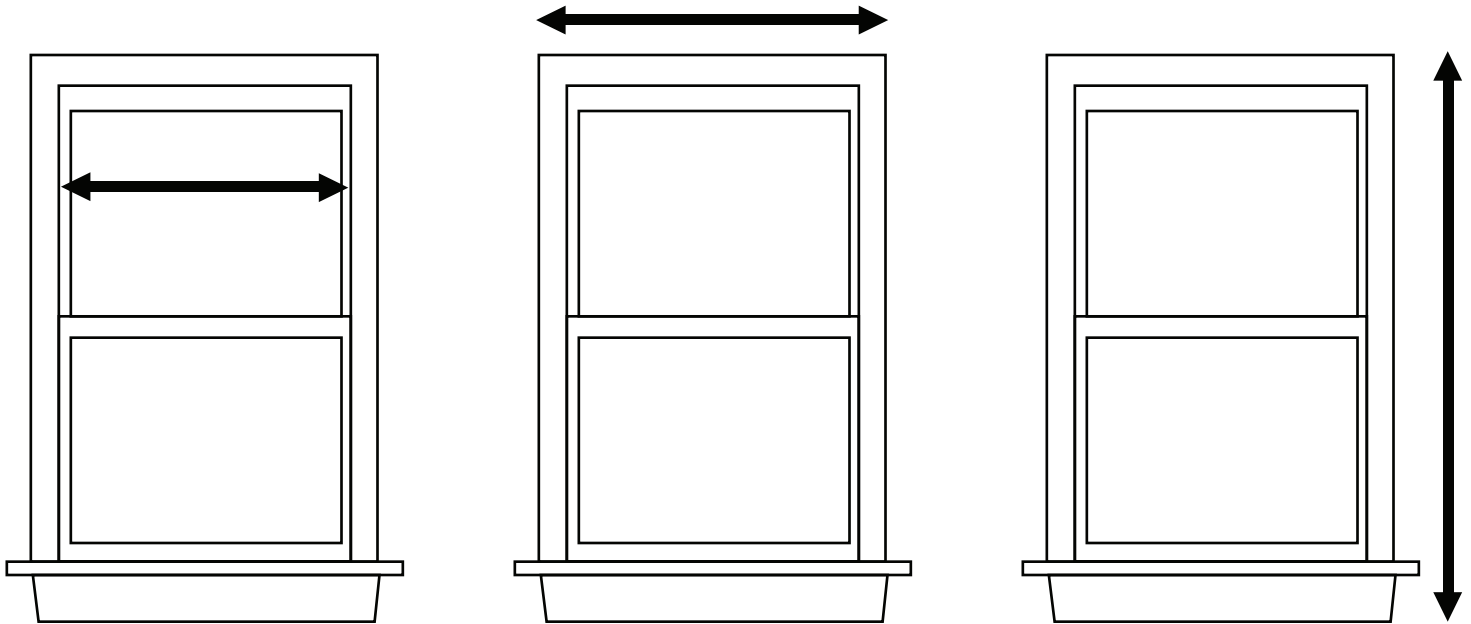


Measuring Tips

Before Purchasing your window treatments you will want to decide how you want them to hang. They may hang on the inside or the outside of the window. To measure you will need a pencil, steel measuring tape and paper.



Measure here for the width inside the frame

Measure here for the width outside the frame

Measure here for the height of the frame

For Window Measuring

Width	Up to 29"	30"-39"	40"-48"	49"-72"	73"-96"	97"-120"	121"-144"
You will need	1 Panel	1 Panel	1-2 Panel	2-3 Panel	2-3 Panel	3-4 Panel	4-5 Panel

- Hardware will generally extend 4 in. beyond the window frame. (2" inches on either side)
- For a full look, plan on two to four times the fabric width to the width of your window.
- Panels are usually hung 4 in. above the window frame.
- Shorter panels are meant to hang 4 in. below the window sill.
- Typically you will want to use an even number of panels per window.