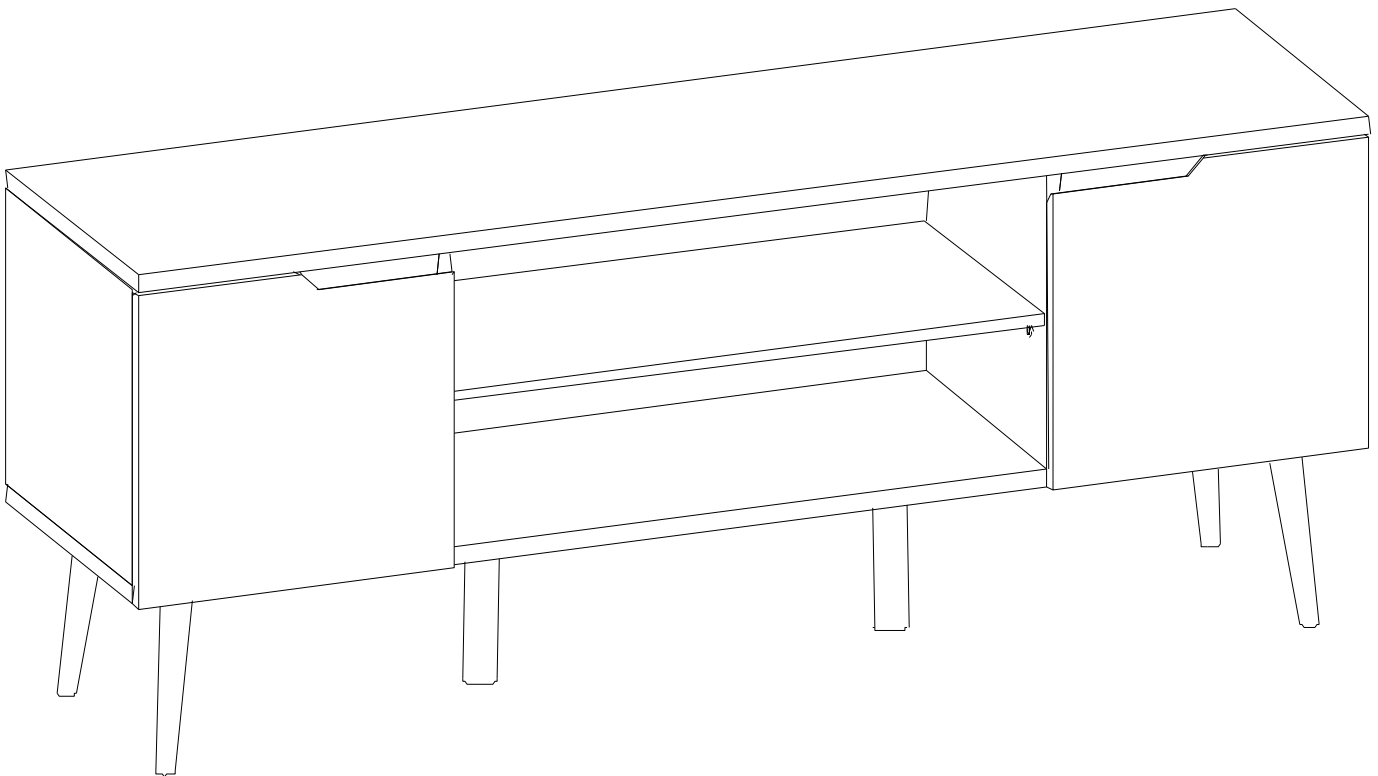


Assembly Instructions

Caution : You must read this before you proceed

TV Stand



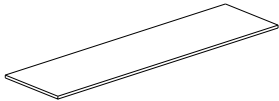
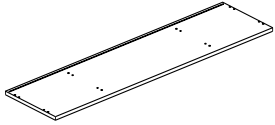
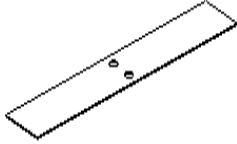
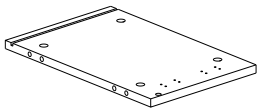
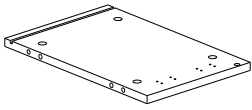
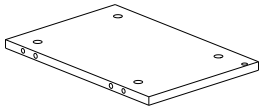
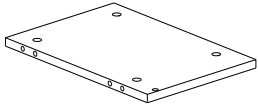
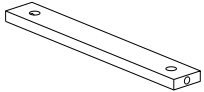
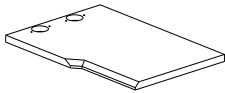
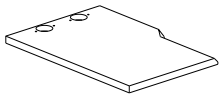
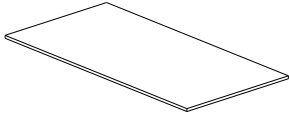

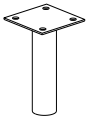
Thank You for purchasing one of our products, please carefully read through the instructions below.

Caution: The Table Top and other parts are heavy.
Two adults are required whenever lifting or moving them.






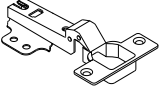


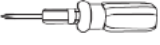
General Care: Keep your furniture out of direct sunlight. Use desk pads and coasters to protect the surface from dents, scratches, and moisture condensation from hot or cold liquids.

Cleaning: To clean, wipe the surface with damp (not wet) cloth or wipe dry with a clean lint free cotton cloth.

Parts List

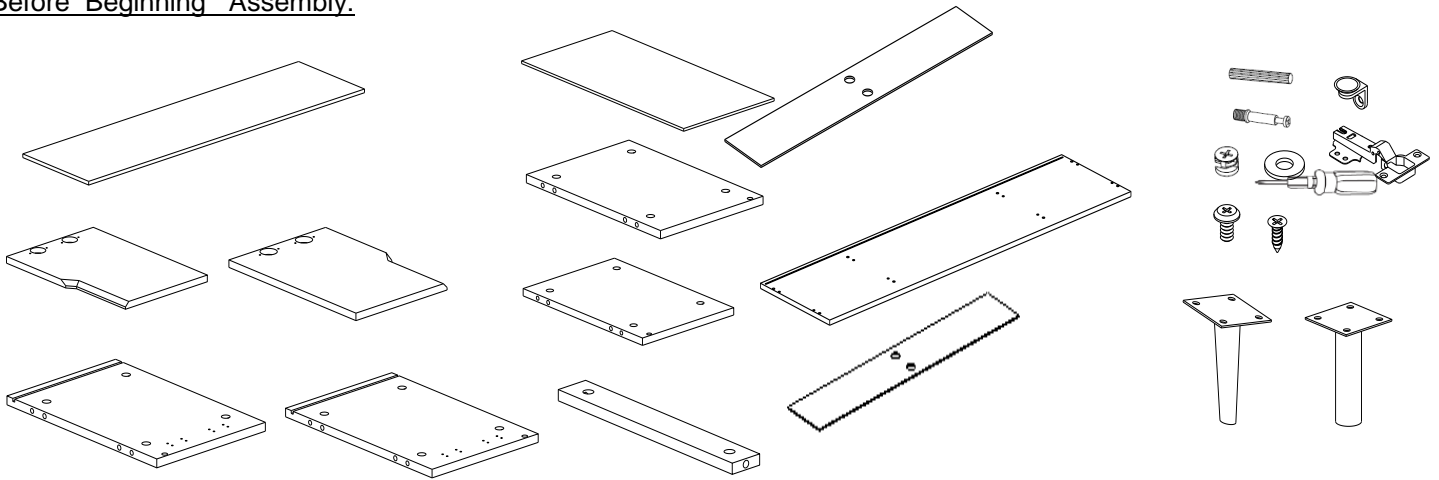
Label	Picture	Description	QTY
A		Top Panel	1
B		Bottom Panel	1
C		Back Panel	1
D		Left Side Panel	1
E		Right Side Panel	1
F		Left Stand Panel	1
G		Right Stand Panel	1
H		Door Rail	2
I		Left Door Panel	1
J		Right Door Panel	1
K		Glass Panel	1
M		Leg	4
N		Support Leg	2

Hardware

Label	Picture	Description	QTY
①		Cam Lock	21
②		Cam Bolt	21
③		Positioning Dowel (φ8*40mm)	17
④		Glass Clip	4
⑤		Screw (M3.5*14mm)	29
⑥		Connector	4
⑦		Bolt (M6*16)	25
⑧		Washer	25
⑨		Screwdriver	1

Assembly Preparation

Before Beginning Assembly:



- Read instructions, cover to cover-



- Have 2 adults on hand for assembly-



- Do not assemble on flooring or carpet-



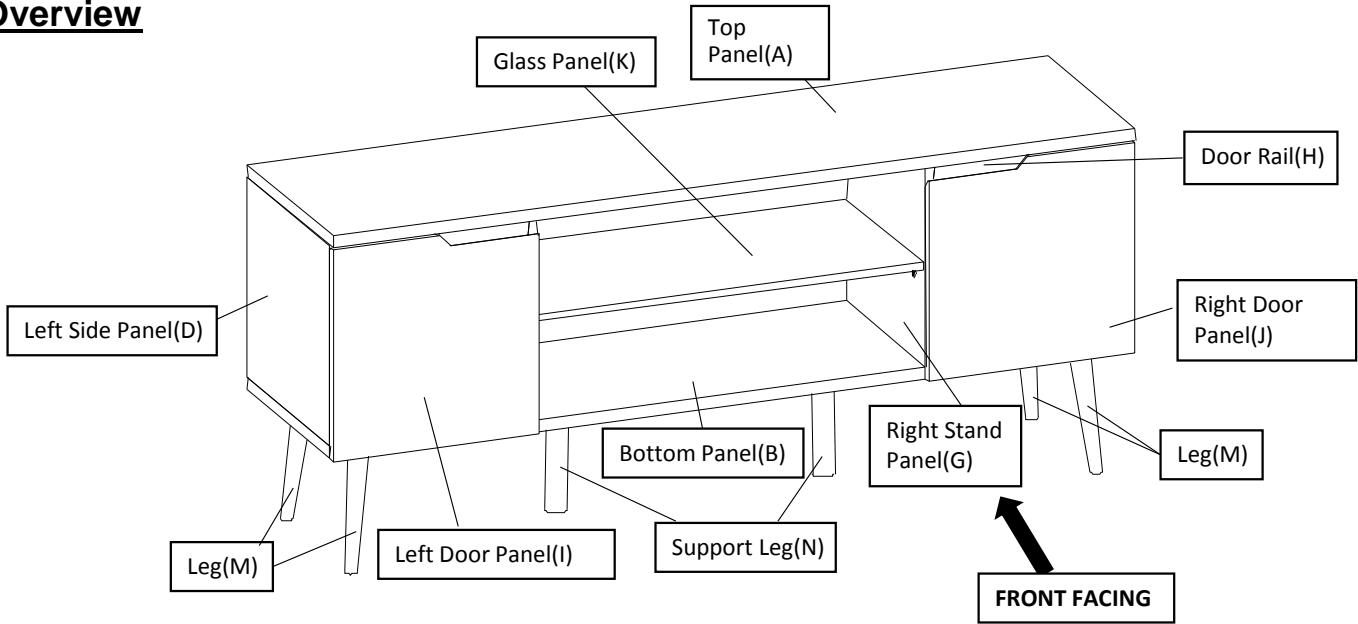
- Assemble on a clean non-marring surface (packing foam)-



- Save all packaging until finished-

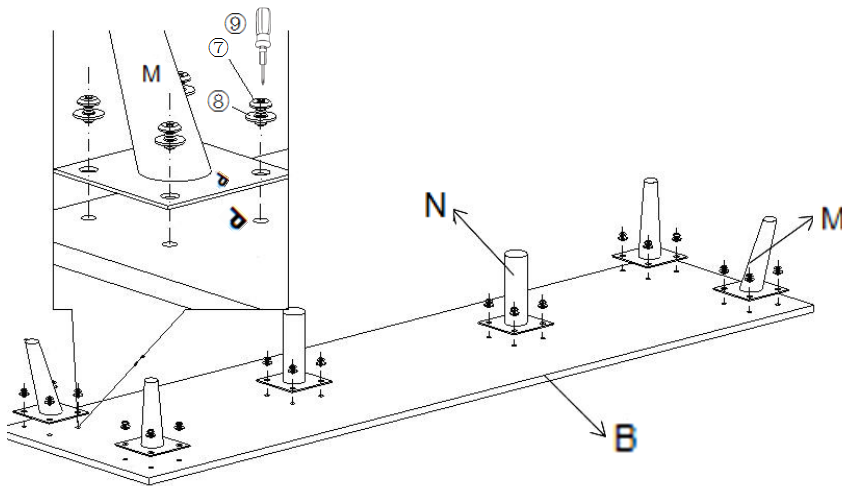
Assembly Steps

Overview



This TV Stand has multiple parts and may require up to 60 minutes to assemble. To give you an overview of the TV Stand parts, the above picture is to help you put the various parts into perspective. Please read through the instructions below to familiarise yourself with the parts and steps before assembly.

Step 1



Take out all the Parts and Hardware, place them on a clean, non-marring surface.

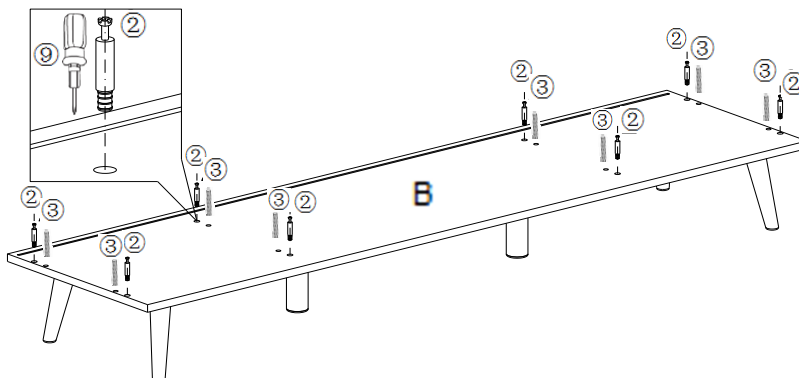
Place the Bottom Panel(B) bottom up, and attach Leg(M) to Bottom Panel(B) using Bolts(7) and Washers(8) with Screwdriver(9).

Tighten all Bolts fully in a sequential manner.

Repeat the same process to attach the remaining Legs(M) and Support Legs(N) to Bottom Panel(B).

Note: Be certain to Align the marks "P" on Bottom Panel(B) and Legs(M) to ensure correct placement.

Step 2

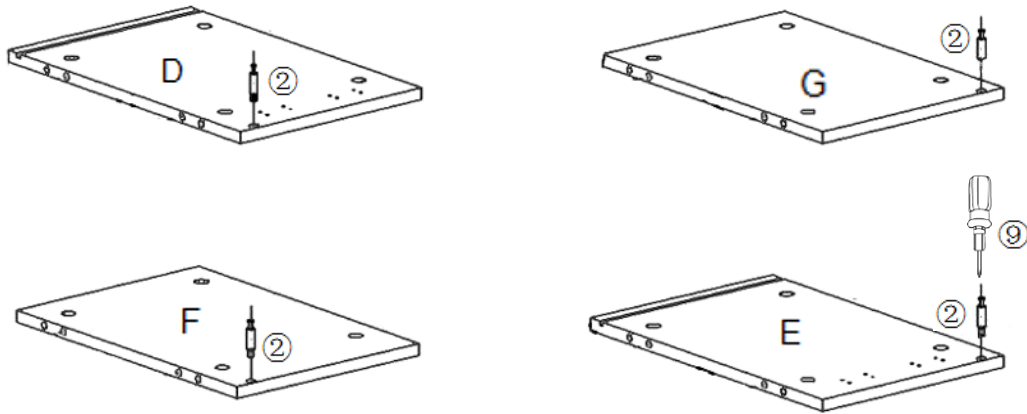


Stand the Bottom Panel(B) up.

Attach Cam Bolts(②) to mounting positions on the Bottom Panel(B) with Screwdriver(⑨) as pictured.

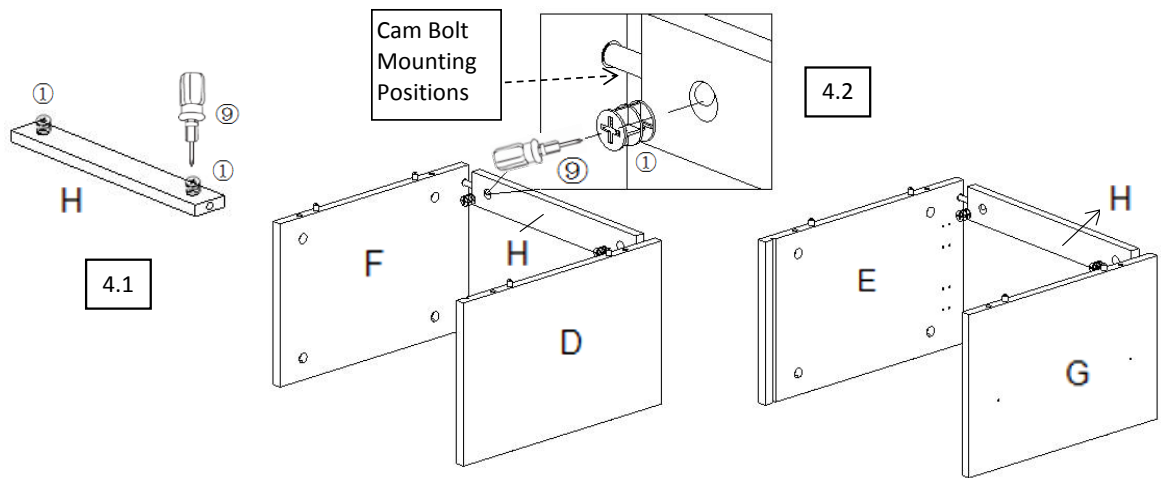
Insert Positioning Dowels(③) into mounting positions on the Bottom Panel(B) by hand.

Step 3



Attach Cam Bolts(②) to the mounting position on Left Side Panel(D), Left Stand Panel(F), Right Stand Panel(G) and Right Side Panel(E) with Screwdriver(⑨) as pictured.

Step 4

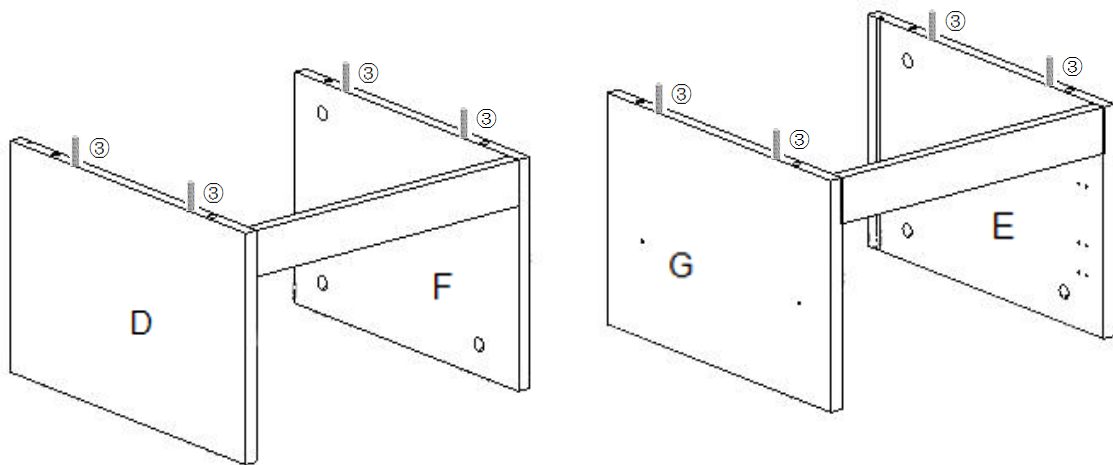


4.1: Insert Cam Locks(①) on Left Stand Panel(F) and Left Side Panel(D) into the mounting positions of Door Rail(H) with Screwdriver(⑨) as shown in the picture.

4.2: Attach Door Rail(H) to Left Stand Panel(F) and Left Side Panel(D) by turning the Cam Locks with Screwdriver(⑨) until they "Lock".

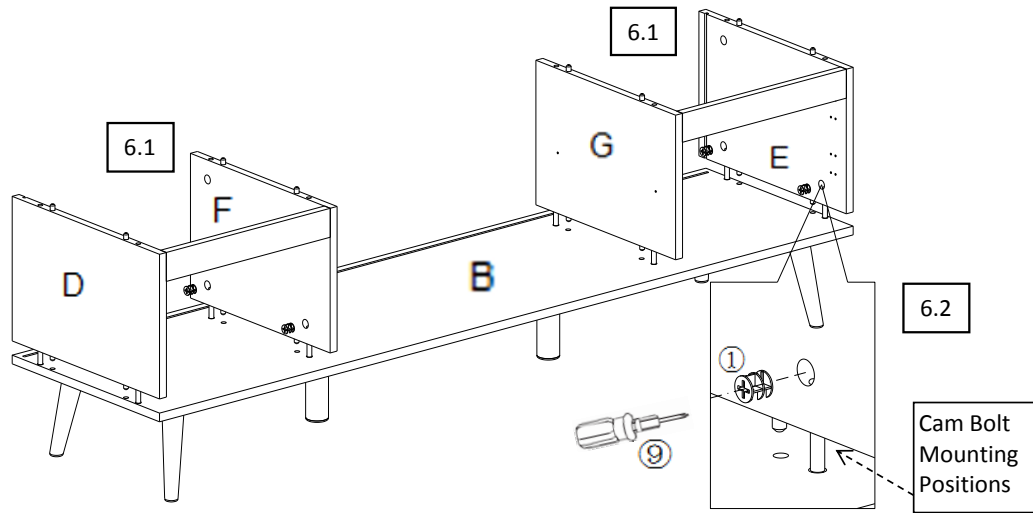
Repeat the same process to attach Door Rail(H) to Right Stand Panel(G) and Right Side Panel(E).

Step 5



Insert Positioning Dowels(③) into mounting positions on Left Side Panel(D), Left Stand Panel(F), Right Stand Panel(G) and Right Side Panel(E) by hand as pictured above.

Step 6



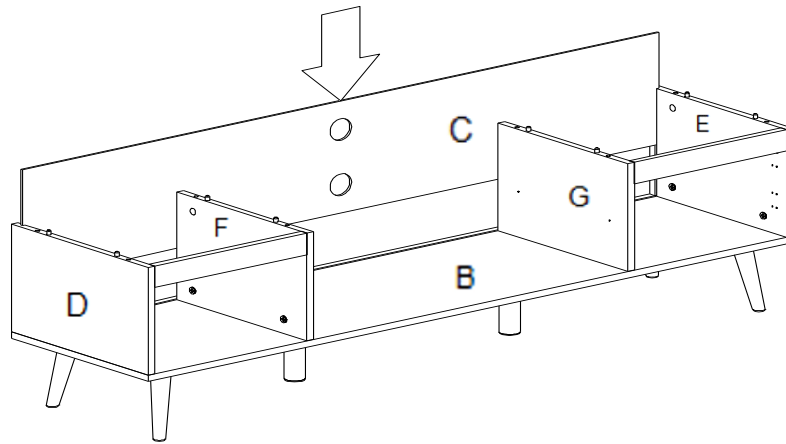
6.1: Insert Cam Locks(①) into the mounting positions on Left Side Panel(D), Left Stand Panel(F), Right Stand Panel(G) and Right Side Panel(E) with Screwdriver(⑨) as picture.

6.2: Attach Left Side Panel(D) and Left Stand Panel(F) to Bottom Panel(B) by turning the Cam Locks(①) with Screwdriver(⑨) until they "Lock".

Repeat the same process to attach Right Stand Panel(G) and Right Side Panel(E) to Bottom Panel(B).

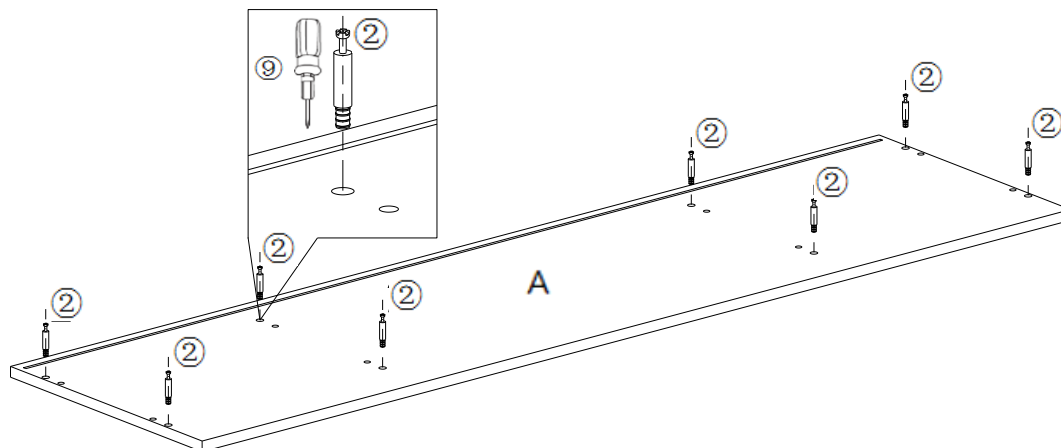
Caution: Make sure the side of groove on Left Side Panel(D), Right Side Panel(E) and Bottom Panel(B) are on back side.

Step 7



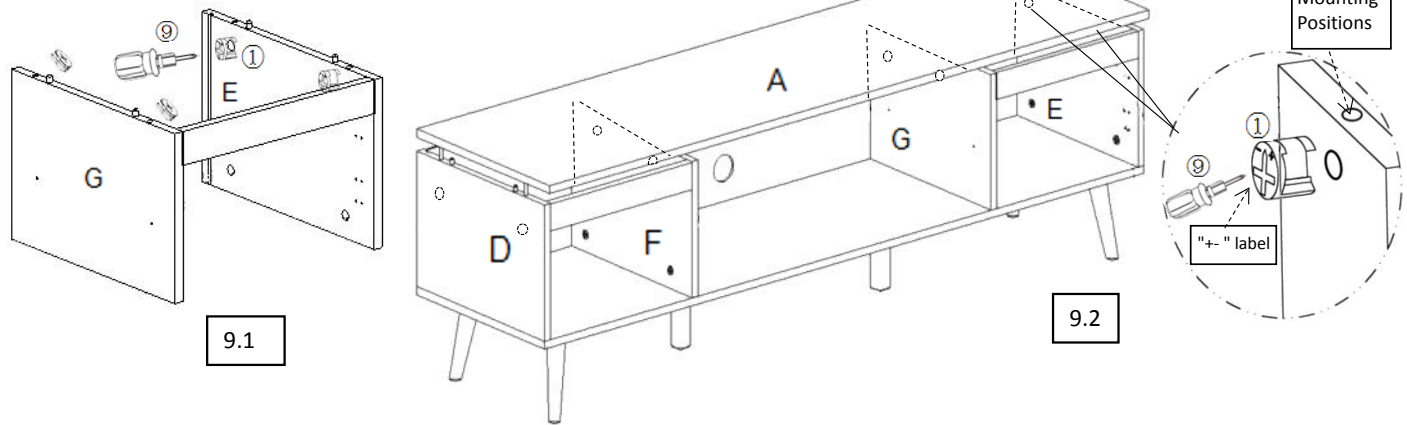
Insert the Back Panel(C) into the grooves on Left Side Panel(D), Right Side Panel(E) and Bottom Panel(B).

Step 8



Attach Cam Bolts(②) to mounting positions on Top Panel(A) with Screwdriver(⑨) as pictured.

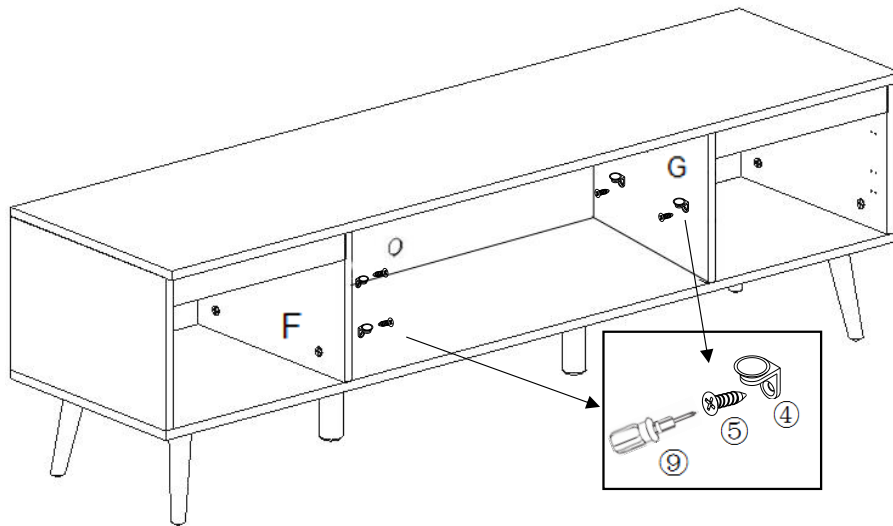
Step 9



9.1: Insert Cam Locks(1) into the mounting positions on Left Stand Panel(F), Left Side Panel(D), Right Stand Panel(G) and Right Side Panel(E) with Screwdriver(9) as pictured.

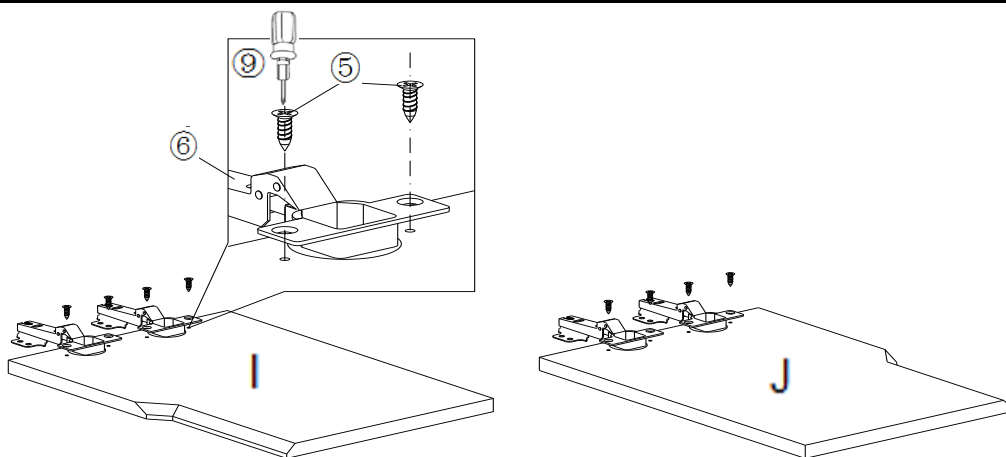
9.2: Attach the Top Panel(A) to Left Stand Panel(F), Left Side Panel(D), Right Stand Panel(G) and Right Side Panel(E) by turning the Cam Locks with Screwdriver(9) until they "Lock".

Step 10



Attach Glass Clips(4) to Left Stand Panel(F) and Right Stand Panel(G) using Screws(5) with Screwdriver(9).
Tighten the Screws fully in a sequential manner.

Step 11



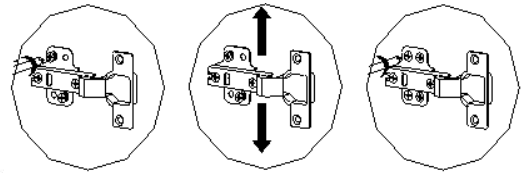
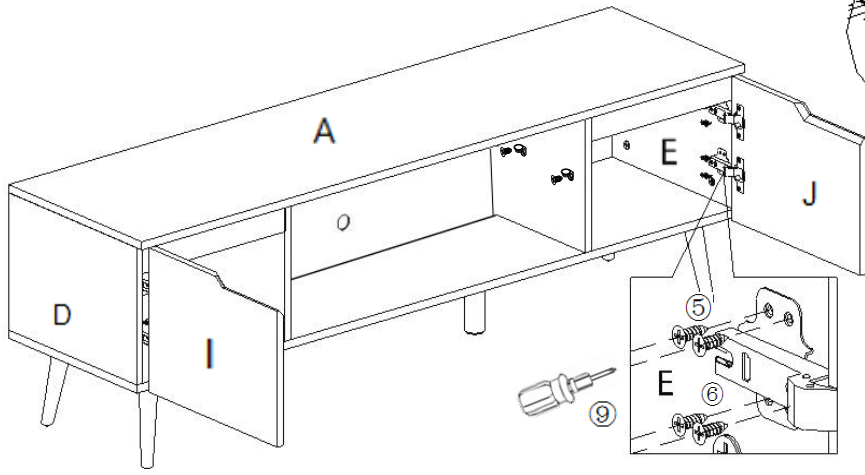
Attach Connectors(6) to the mounting position on Left Door Panel(I) using Screws(5) with Screwdriver(9) as pictured above.

Repeat same process to attach remaining Connectors(6) on Right Door Panel(J).

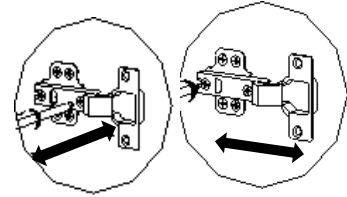
Tighten the Screws fully in a sequential manner.

Caution: There are lead mounting Position on Left Door Panel(I) and Right Door Panel(J) to fix Connector.

Step 12



12.1: Adjust Connector to be even



12.2: Adjust the alignment and gap for both Panels

Attach Right Door Panel(J) with Connectors(6) to Right Side Panel(E) using Screws(5) with Screwdriver(9).

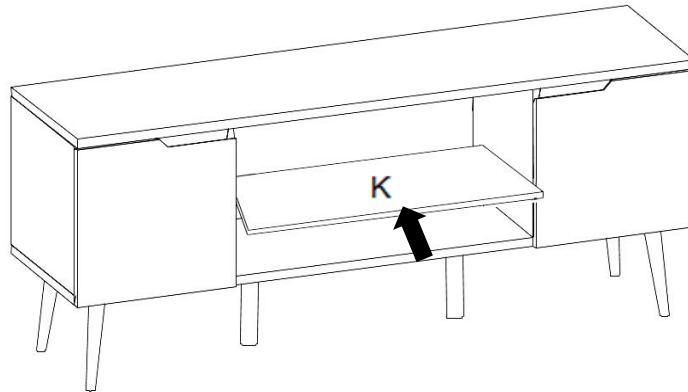
12.1) First attach Connector(6) loosely using two Screws(5). Then make adjustments until Connector is even. Add remaining Screws and tighten completely.

12.2) Adjust the alignment of the Right Door Panel(J) and Right Side Panel(E) by tightening the two middle screws on the Connector(6) until the Panels are flush.

Repeat the same process to attach the Left Door Panel(I) to Left Side Panel(D).

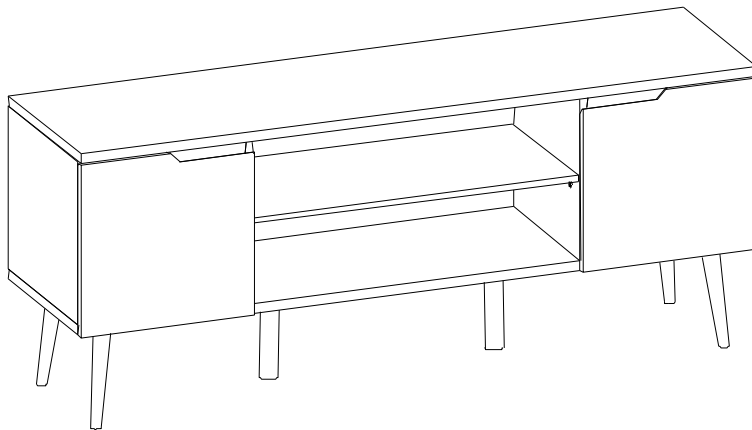
Caution: There are lead mounting Position on the inner side of Right Side Panel(E) and Left Side Panel(D) to fix Connector.

Step 13



Carefully place Glass Panel(K) onto the suckers on Glass Clips(4).

Step 14























Inspect and make sure all parts are in place, and all Bolts are securely tightened.

Your TV Stand is ready for use.

This TV Stand can only be used on a flat, level surface.

Care & Maintenance

-   • Do not put hot items directly on furniture surface
-   • Do not clean furniture with harsh cleansers or polish.
-   • Do not place furniture under direct sunlight.
-   • Do not place furniture near heating or cooling vents.
-   • Do not write on furniture without a padded barrier to protect the surface.
-   • Do not place furniture outside . For indoor use only .
-   • Not for commercial use. For residential use only .
-   • Stains may be removed with mild soap solution and damp cloth.
-   • Children should not climb or jump on the furniture.

-
-   • Dust and pick-up spills using a clean, non-colored, lint-free cloth .

What is Proposition 65?

Proposition 65 is a California law that requires warning labels on products that may contain one of more than 800-plus chemicals or ingredients that the California Office of Environmental Health Hazard Assessment (OEHHA) has deemed to cause cancer or other reproductive toxicity. Chemicals and elements on this list include wood dust, brass, and other everyday substances, which can be found in very common household items, such as: lamps, tableware, jewelry, crystal glasses, electric cords, beauty products, automobiles, and furniture.

Why Did I Find a Proposition 65 Warning on My Home Goods Product?

We include Proposition 65 warnings on all of our products because there is always a chance that one of the 800-plus common chemicals and ingredients listed under this law could potentially be on our furniture or packing materials. We risk large fines under this law, if we don't include this warning.

Should I worry?

We realize you may be worried finding this warning on our products, but we want to reassure you that the hazardous exposure limits for any of these chemicals have never been found on furniture products that we've shipped to our customers. Additionally, this warning label is very common and can be found on almost every piece of furniture sold in the state of California.

Just How Common Are Proposition 65 Warnings?

Proposition 65 warnings have become so common in California that it is hard to take a trip to a local bank, grocery store, or restaurant without finding at least one warning. In fact, even the Disney Land Resort has a Proposition 65 warning:

