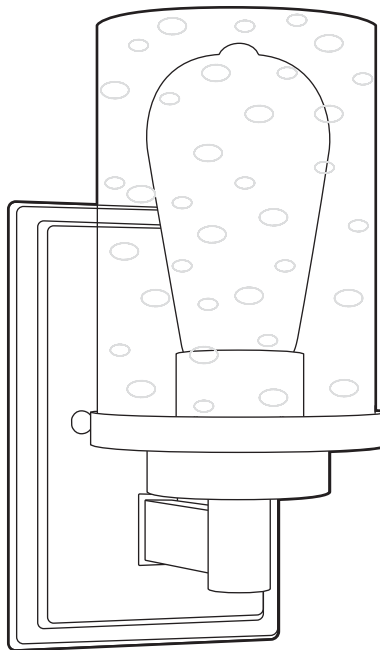


USE AND CARE GUIDE

1-LIGHT SCONCE



Questions, problems, missing parts? Before returning to the store,
call Home Decorators Collection Customer Service
8 a.m. – 7 p.m., EST, Monday – Friday, 9 a.m. – 6 p.m., EST, Saturday

1-800-986-3460

HOMEDEPOT.COM/HOMEDECORATORS

THANK YOU


We appreciate the trust and confidence you have placed in Home Decorators Collection through the purchase of this light fixture. We strive to continually create quality products designed to enhance your home. Visit us online to see our full line of products available for your home improvement needs. Thank you for choosing Home Decorators Collection!


Table of Contents


Table of Contents.....2
Safety Information.....2
Warranty.....2
Pre-Installation3
Installation5
Care and Maintenance7
Troubleshooting7


Safety Information


Read and understand this entire manual before you attempt to assemble, install, or operate this product.

 **WARNING:** Read instructions carefully and turn off the electricity at the main circuit breaker panel before you begin this installation.

 **WARNING:** If any special control devices are used with this fixture, follow the instructions carefully to assure full compliance with N.E.C. requirements. If there are any questions, contact a qualified electrical contractor.

 **WARNING:** This product contains chemicals known to the State of California to cause cancer, birth defects, and/or other reproductive harm. Thoroughly wash hands after installing, handling, cleaning, or otherwise touching this product.

 **WARNING:** Risk of fire. 90°C supply conductors. Consult a qualified electrician to ensure the correct branch circuit conductor.

 **CAUTION:** All glass is fragile. Use care when handling glass shades and bulbs.

Warranty

The manufacturer warrants this lighting fixture to be free from defects in materials and workmanship for a period of three (3) years from the date of purchase. This warranty applies only to the original consumer purchaser and only to products used in normal use and service. If this product is found to be defective, the manufacturer's only obligation, and your exclusive remedy, is the repair or replacement of the product at the manufacturer's discretion, provided that the product has not been damaged through misuse, abuse, accident, modifications, alterations, neglect, or mishandling. This warranty shall not apply to any product that is found to have been improperly installed, set-up, or used in any way not in accordance with the instructions supplied with the product. This warranty shall not apply to a failure of material or workmanship. This warranty shall not apply to the finish on any portion of the product, such as surface and/or weathering, as this is considered normal wear and tear. The manufacturer does not warrant and specially disclaims any warranty, whether express or implied, of fitness for a particular purpose, other than the warranty contained herein. The manufacturer specifically disclaims any liability and shall not be liable for any consequential or incidental loss or damage, including but not limited to any labor / expense costs involved in the replacement or repair of said product.

Contact the Customer Service Team at 1-800-986-3460 or visit www.HomeDepot.com/HomeDecorators.

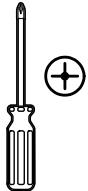
Pre-Installation

PLANNING INSTALLATION

Before beginning installation, make sure all parts are included using the Hardware Included and Package Contents sections. If any part is missing or damaged, do not attempt to assemble, install, or operate the product.

To avoid damaging this product, place it on a soft, non-abrasive surface, such as carpet or cardboard.

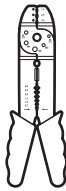
TOOLS REQUIRED



Phillips screwdriver



Pliers



Wire stripper



Safety glasses



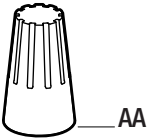
Electrical tape



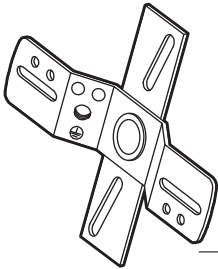
Ladder

HARDWARE INCLUDED

 **NOTE:** Hardware not shown to actual size.



AA



BB



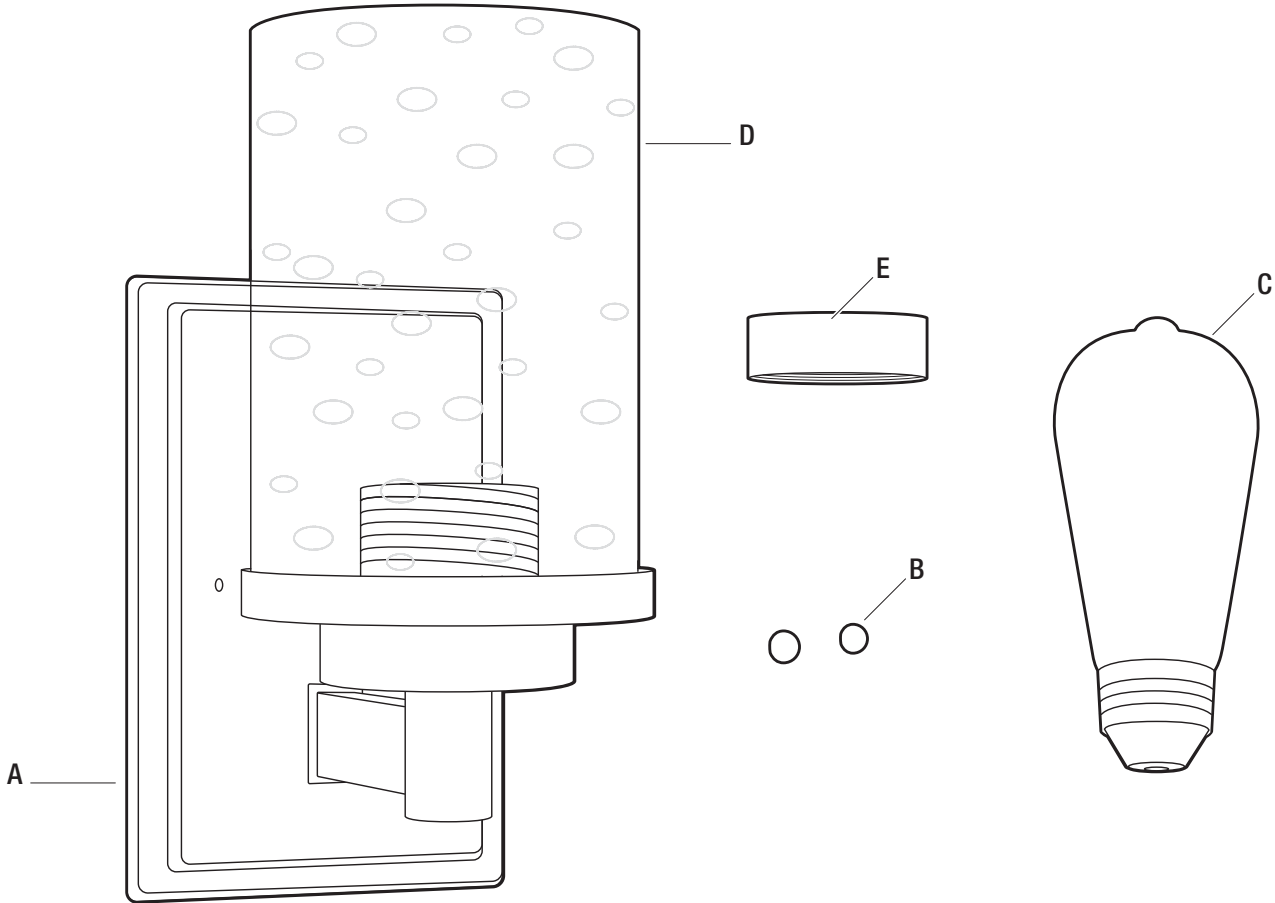
CC

| Part | Description | Quantity |
|------|------------------------------------|----------|
| AA | Wire nut | 3 |
| BB | Mounting bracket with ground screw | 1 |
| CC | #8-32 Screw with hex nut | 2 |

Pre-Installation (continued)

PACKAGE CONTENTS

 **NOTE:** This fixture can be installed as an uplight or downlight, depending upon your preference.

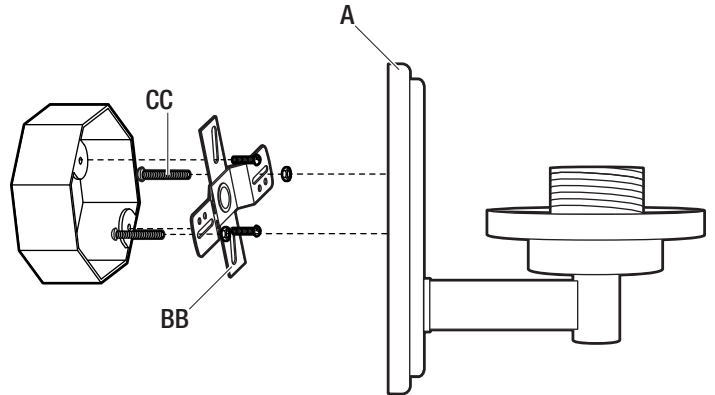


| Part | Description | Quantity |
|------|---|----------|
| A | Light fixture | 1 |
| B | Ball nuts | 2 |
| C | 60 Watt bulb | 1 |
| D | Shade | 1 |
| E | Socket ring (preassembled to Fixture (A)) | 1 |

Installation

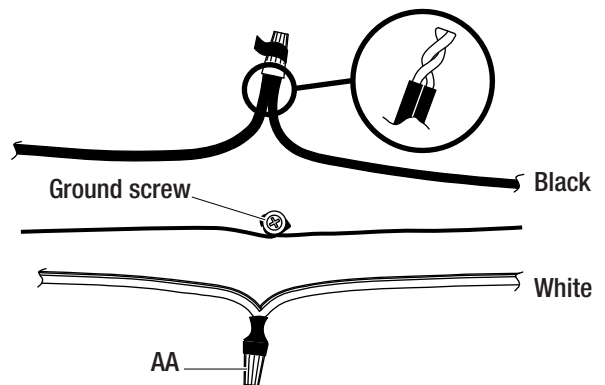
1 Installing the mounting plate

- Install the two mounting screws with hex nuts (CC) into the holes in the mounting bracket (BB). Make sure they line up with the holes in the back plate portion of the light fixture (A).
- Attach the mounting bracket (BB) to the outlet box using the outlet box screws (not included). Ensure the mounting screws (CC) protrude away from the junction box as shown.



2 Connecting the wires

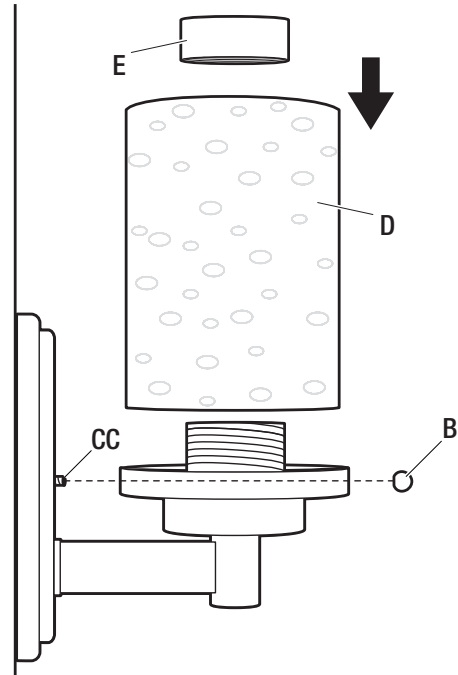
- Strip 3/8 in. of insulation from the wire ends of the fixture.
- Using wire nuts (AA), connect the white fixture wire to the white (neutral) supply wire from the junction box. Then connect the black fixture wire to the black (live) supply wire from the junction box.
- Connect the ground wire from the junction box and the ground wire from the fixture to the ground screw on the mounting plate (BB). Tighten the ground screw to secure both ground wires to the mounting plate (BB).
- Wrap electrical tape (not included) around the wire nuts (AA), and ensure they are secure. Then push all wire connections into the outlet box.



Installation (continued)

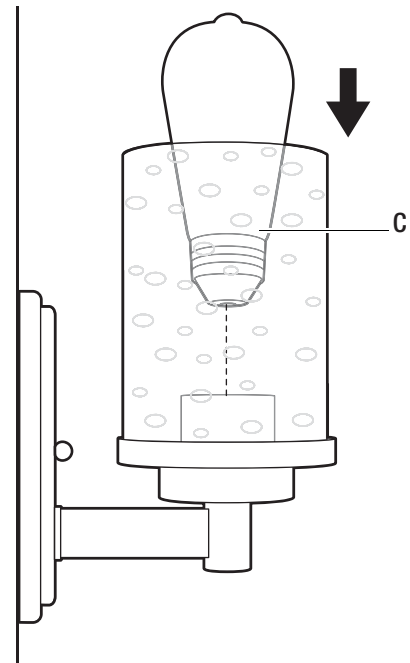
3 Installing the fixture and shade

- Push all excess wires into the outlet box.
- Place the fixture (A) on the wall by aligning the holes in the fixture (A) with the mounting screws (CC).
- Push the fixture (A) against the wall and secure it by screwing the ball nuts (B) onto the mounting screws (CC).
- Unscrew the socket ring (E) from the fixture socket.
- Position the shade (D) onto the fixture and secure in place with the socket ring (E).



4 Installing the bulb

- Screw the bulb (C) into the fixture socket. This fixture uses 60-watt MAX, incandescent, medium-base, SBCFL or SBLED bulbs. Ensure that you do not exceed the recommended wattage.



Care and Maintenance



WARNING: Before you perform any cleaning or maintenance work, turn off the electricity at the main circuit breaker panel.

- Wipe the fixture with a damp, soft cloth. Do not use any abrasive cleaners or cleaners that contain alcohol.
- When replacing bulbs, use 60-watt MAX, incandescent, medium-base, SBCFL or SBLED bulbs.

Troubleshooting

| Problem | Possible Cause | Solution |
|--|---|---|
| The light will not turn on. | A bulb is burned out. | Replace the bulb. |
| | The power is off. | Ensure the power supply is on. |
| | There is a faulty wire connection. | Check the wiring. Contact a qualified and licensed electrician if you are not comfortable troubleshooting wiring problems. |
| | There is a faulty switch. | Test or replace the switch. |
| The fuse blows or the circuit breaker trips when the light is turned on. | There are crossed wires or the power wire is grounding out. | Discontinue use of the fixture. Check the wire connections or contact a qualified electrician. |

HOME DECORATORS COLLECTION

Questions, problems, missing parts? Before returning to the store,
call Home Decorators Collection Customer Service
8 a.m. – 7 p.m., EST, Monday – Friday, 9 a.m. – 6 p.m., EST, Saturday

1-800-986-3460

[HOMEDEPOT.COM/HOMEDECORATORS](https://www.homedepot.com/homedecorators)

Retain this manual for future use.