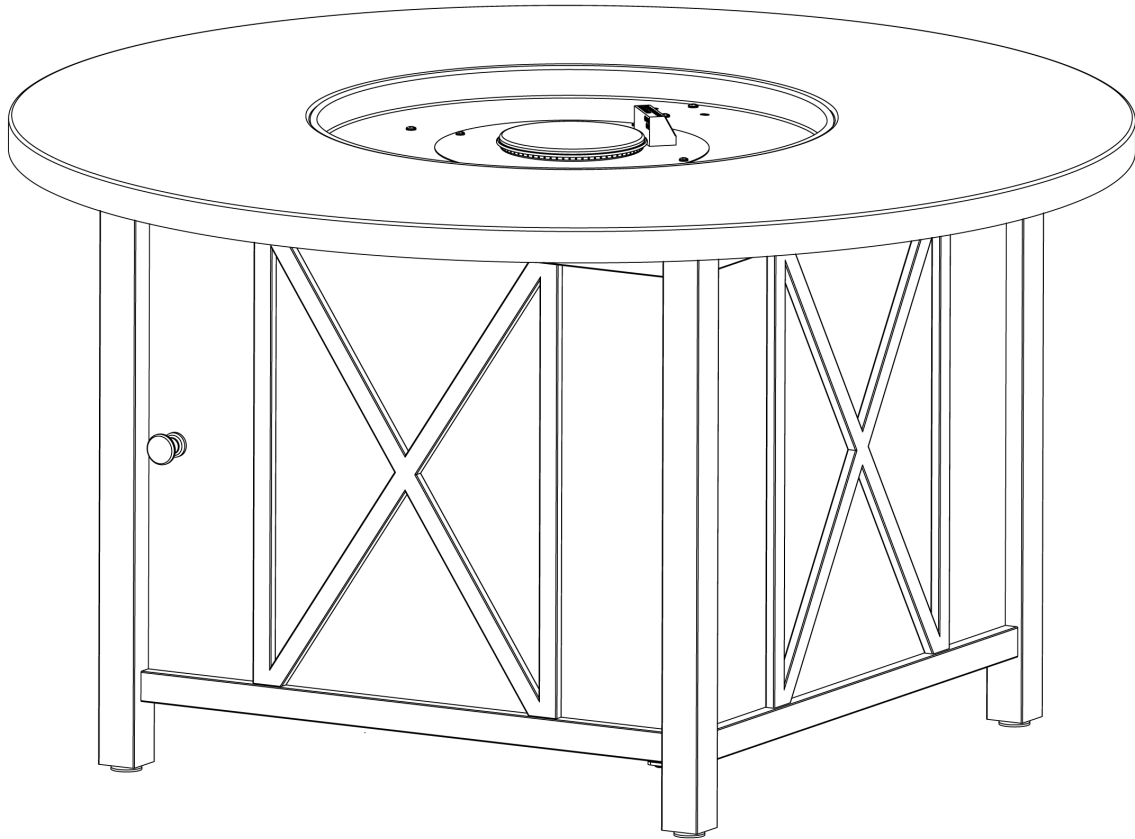


## LP Gas Outdoor Fireplace

Model No. GAD1362



**ALWAYS refer to owner's manual for all warnings, safety information, operating instructions, care instructions and troubleshooting.**

## **Cleaning and Care**

### **⚠ CAUTION:**

- 1. All cleaning and maintenance should be done when outdoor fireplace is cool and with the fuel supply disconnected.**
- 2. DO NOT clean any outdoor fireplace part in a self cleaning oven. The extreme heat will damage the finish.**
- 3. Do not enlarge valve orifices or burner ports when cleaning the valves or burners.**

---

### **Notices**

- 1. This outdoor fireplace should be thoroughly cleaned and inspected on a regular basis.**
- 2. Abrasive cleaners will damage this product.**
- 3. Never use oven cleaner to clean any part of outdoor fireplace.**

---

### **Before Each Use:**

1. Keep the outdoor fireplace area clean and free from any combustible materials, gasoline, and other flammable vapors and liquids.
2. Do not obstruct the flow of the combustion of LP and the ventilation air.
3. Keep the ventilation opening(s) of the LP gas tank area free and clear from debris.
4. Visually check the burner flames to make sure your outdoor fireplace is working properly.
5. See sections below for proper cleaning instructions.
6. Check all gas connections for leaks.
7. Check components for any signs of damage or rust.
8. Check and clean the burner/venturi tubes for insects and insect nests. A clogged tube can lead to a fire beneath the outdoor fireplace.
9. If damage to any component is detected, do NOT operate until repairs are executed.

---

### **Cleaning Surfaces**

1. Wipe surfaces clean with mild dishwashing detergent or baking soda mixed with water.
2. For stubborn surfaces use a citrus based degreaser and a nylon scrubbing brush.
3. Rinse clean with water.
4. Allow to air dry.

---

### **Before Storing**

1. Turn control knob to 🔻 (OFF) and LP gas tank valve to "CLOSED".
2. Clean all surfaces.
3. Lightly coat the burners with cooking oil to prevent excess rusting.
4. If storing the outdoor fireplace indoors, disconnect the LP tank, see "Disconnect LP Gas Tank" section, and leave the LP gas tank OUTDOORS.
5. Place the protective cap cover on the LP tank and store the tank outdoors in a well ventilated area out of direct sunlight.
6. Cover outdoor fireplace with a durable vinyl cover designed to fit this unit.
7. Store in a cool and dry location away from children and pets.