

Measuring Guide for Drapery

Double-check your work—always measure twice to ensure accuracy.

Tools and Tips

- Steel tape measure — do not use cloth tape
- Pencil
- Round measurements to the nearest 1/8"

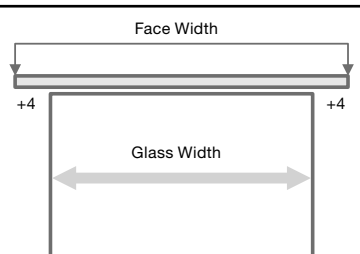
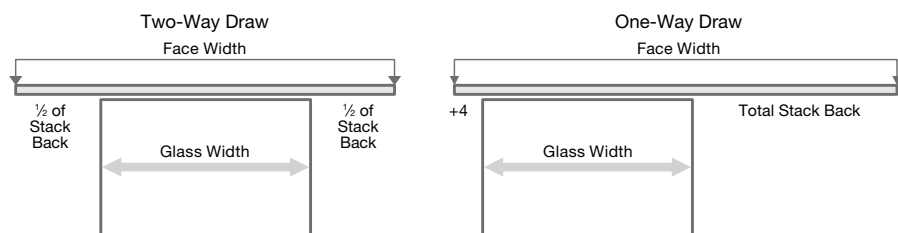
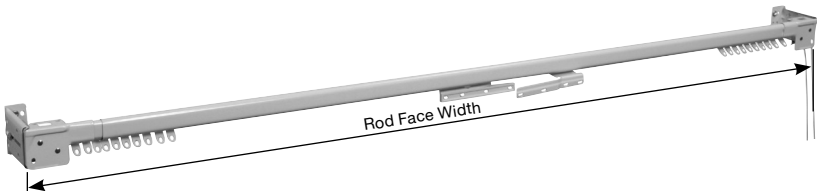

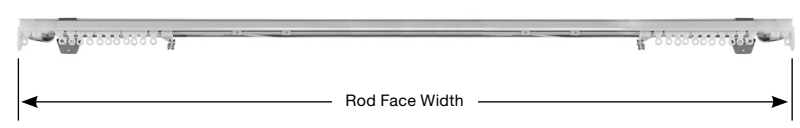


Drapery Width

Consider the look you want to create when determining the type of drapery hardware and its placement. Rod type and placement determine the width and length of the draperies needed. General guidelines follow.

Width

There are only two measurements you need to determine the width of the drapery: the face width to be covered and the projection of the rod.

Determining the Width of the Area to be Covered	
<p>Minimum Rod Placement</p> <p>Face Width = glass width + 8" (4" per side)</p>	
<p>Stack Back Consideration</p> <p>Additional wall coverage may be needed in order for the drapery to stack back off the glass when opened.</p> <p>The general rule is that the total stack back needed is approximately 1/2 the width of the window. Additional width may be needed for heavy or bulky fabrics.</p> <p>Face Width = glass width + total stack back</p>	
<p>Bracket to Bracket Face Width</p>	
<p>Inside Finial to Inside Finial Face Width</p>	
<p>End to End Face Width</p>	
<p>Return Projection</p> <p>Measure from the wall to the face of the rod.</p>	