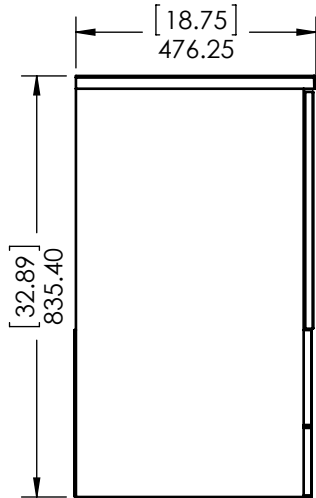
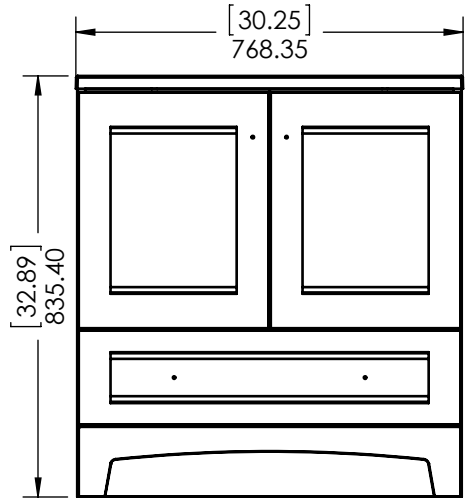


ITEM ID	DESCRIPTION
DR30P2-PG	Delridge 30in

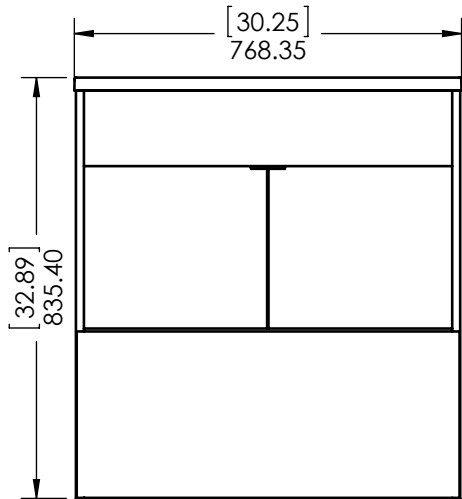
REV	ECO#	DESCRIPTION	REV'D BY DATE	CHK'D BY DATE	APRV'D BY DATE
0		New Release	RR 04/23/19	RR 04/23/19	RR 04/23/19



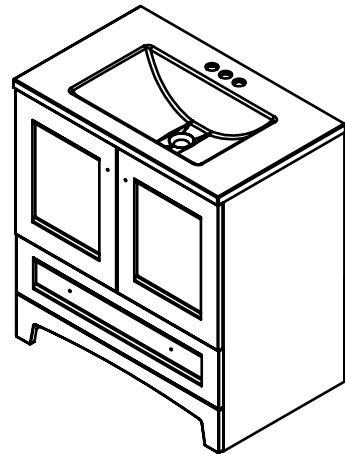
SIDE VIEW



FRONT VIEW



BACK VIEW



ISOMETRIC VIEW



PROPRIETARY AND CONFIDENTIAL
 THE INFORMATION CONTAINED IN THIS DRAWING IS THE SOLE PROPERTY OF WOODCRAFTERS HOME PRODUCTS L.L.C. ANY REPRODUCTION IN PART OR AS A WHOLE WITHOUT THE WRITTEN PERMISSION OF WOODCRAFTERS HOME PRODUCTS L.L.C. IS PROHIBITED.

UNLESS OTHERWISE SPECIFIED
 DIMENSIONS ARE IN mm and [inches]
 AND TOLERANCES ARE +/- 1.0 [0.04]

DRAWN BY:	RR	4/23/19
CHECKED BY:	RR	4/23/19
APPROVED BY:	RR	4/23/19

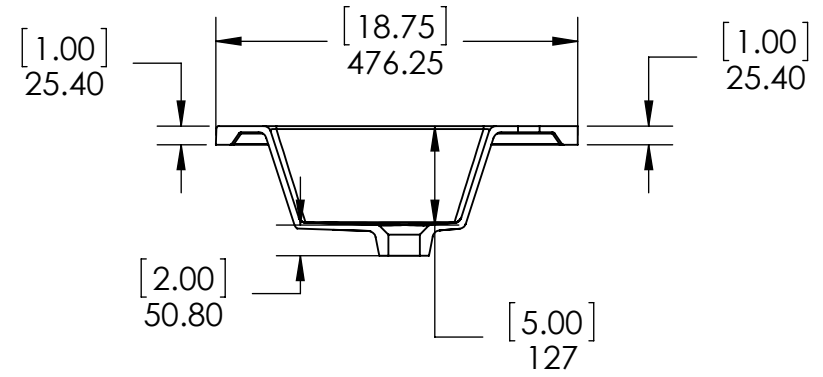
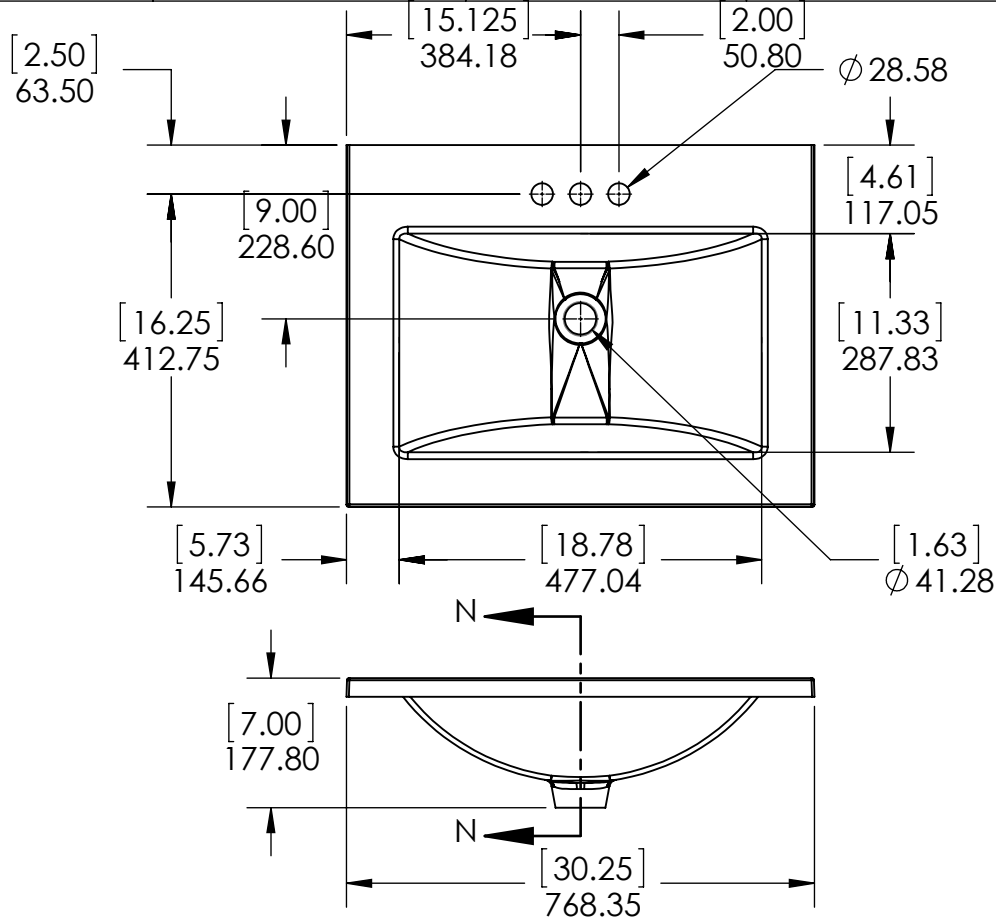
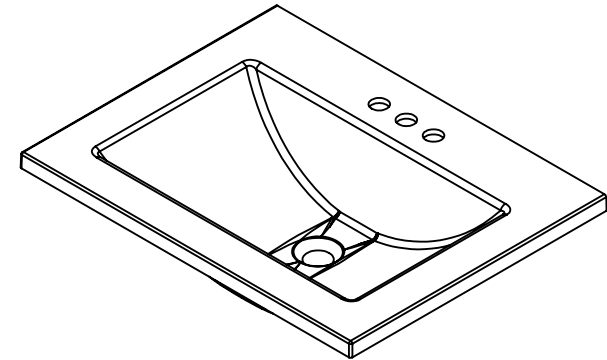
TITLE: **Delridge 30in**

DO NOT SCALE DRAWING	SCALE: 1:15	SIZE: A
----------------------	-------------	----------------

PART NO:	PAGE 1 OF 1	REV: 0
----------	-------------	---------------

ID	Description	Technology	Status
595192	Top, Alpine 30.25x18.75in Color Point - Beach	Color Point	Approved for production
595201	Top, Alpine 30.25x18.75in (New Packaging)	AB Composite	Approved for production
595302	Vtop Alpine 30.25x18.75 CP Maui	Color Point	Approved for production
AL3019- WH	Glacier Bay 30.25 in. Cultured Marble Vanity Top in White with White Basin	AB Composite	Approved for production

Rev #	Approved by	Change
4	R. Cazarez	Dim. Modified
5	R. Rubio	New Model Added



PROPRIETARY AND CONFIDENTIAL
 THE INFORMATION CONTAINED IN THIS DRAWING IS THE
 SOLE PROPERTY OF WOODCRAFTERS. ANY
 REPRODUCTION IN PART OR AS A WHOLE WITHOUT THE
 WRITTEN PERMISSION OF WOODCRAFTERS IS PROHIBITED.

UNLESS OTHERWISE SPECIFIED
 DIMENSIONS ARE IN MM.
 AND (INCHES)
 TOLERANCES ARE
 + 0.125 [3.175] - 0.125 [-3.175]
 SCALE:1:10

	NAME	DATE
DRAWN	J.Martinez	08/25/16
CHECKED	E. Sandoval	08/25/16
ENG APPR.	R. Rubio	08/25/16
MFG APPR.	C. Leal	08/25/16

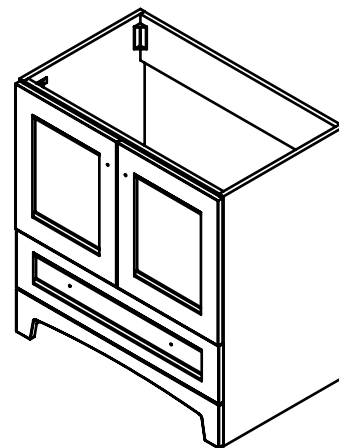
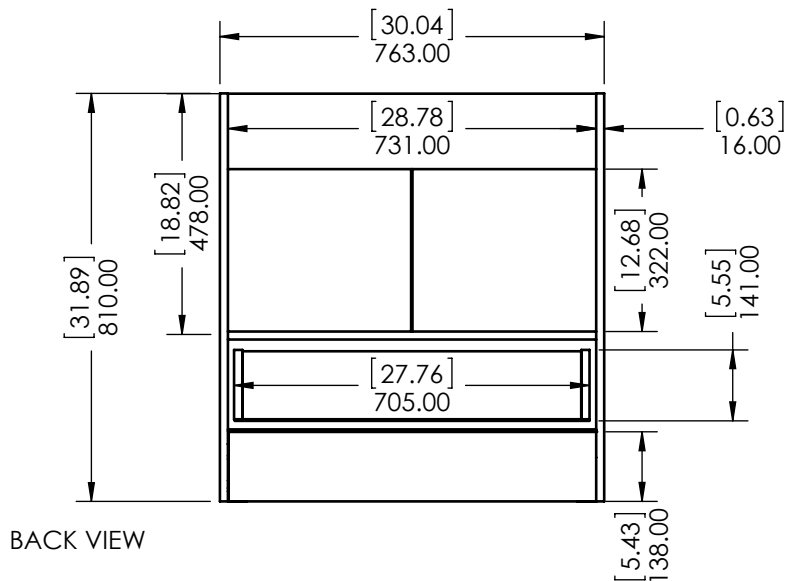
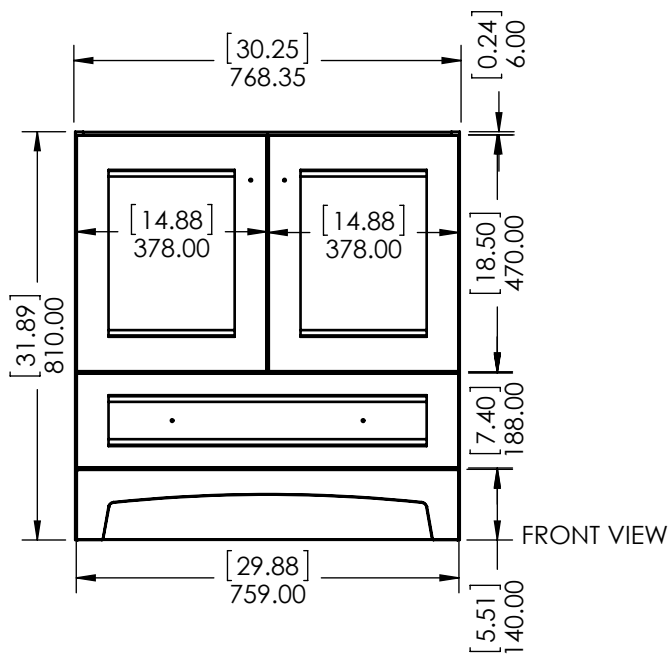
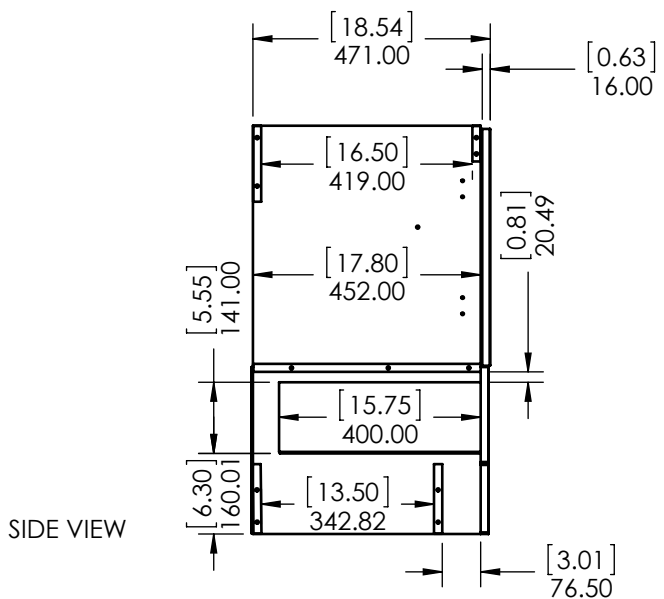
Wood Crafters

SIZE DWG. NO. **A** ALPINE TOP 30 - FG

SHEET 1 OF 1
 REV: **5**

ITEM ID	DESCRIPTION
DR30P2-PG	Delridge 30in

REV	ECO#	DESCRIPTION	REV'D BY DATE	CHK'D BY DATE	APRV'D BY DATE
0		New Release	RR 04/23/19	RR 04/23/19	RR 04/23/19



ISOMETRIC VIEW



PROPRIETARY AND CONFIDENTIAL
 THE INFORMATION CONTAINED IN THIS DRAWING IS THE SOLE PROPERTY OF WOODCRAFTERS HOME PRODUCTS L.L.C. ANY REPRODUCTION IN PART OR AS A WHOLE WITHOUT THE WRITTEN PERMISSION OF WOODCRAFTERS HOME PRODUCTS L.L.C. IS PROHIBITED.

UNLESS OTHERWISE SPECIFIED
 DIMENSIONS ARE IN mm and [inches]
 AND TOLERANCES ARE +/- 1.0 [0.04]

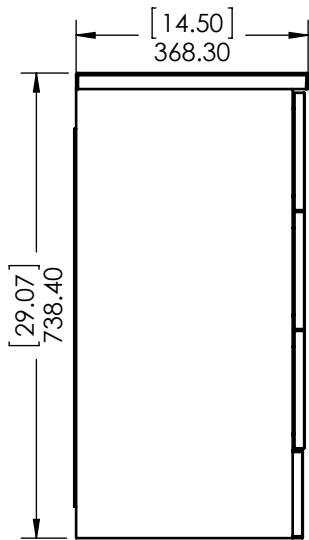
DRAWN BY:	RR	4/23/19
CHECKED BY:	RR	4/23/19
APPROVED BY:	RR	4/23/19

TITLE: **Delridge 30in**

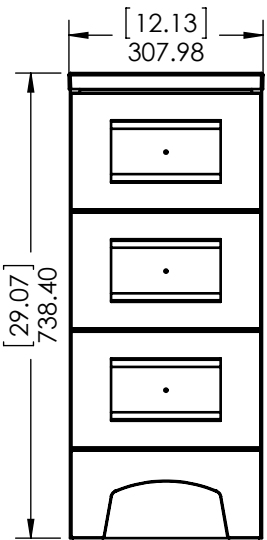
DO NOT SCALE DRAWING	SCALE: 1:15	SIZE: A	PART NO:	PAGE 1 OF 1	REV: 0
----------------------	-------------	----------------	----------	-------------	---------------

ITEM ID	DESCRIPTION
DR12P2-PG	Delridge 12.13in W x 14.50in D x 29.07in H Vanity in Flagstone with Solid White Vanity Top

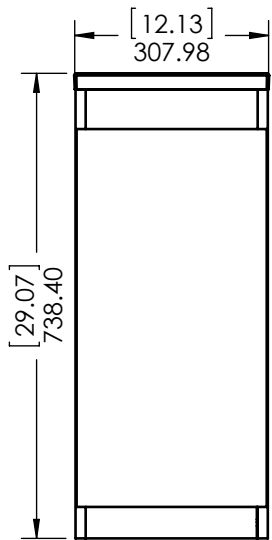
REV	ECO#	DESCRIPTION	REV'D BY DATE	CHK'D BY DATE	APRV'D BY DATE
0		New Release	RR 04/23/19	RR 04/23/19	RR 04/23/19



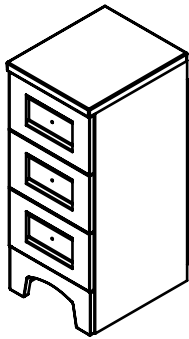
SIDE VIEW



FRONT VIEW



BACK VIEW



ISOMETRIC VIEW



PROPRIETARY AND CONFIDENTIAL
 THE INFORMATION CONTAINED IN THIS DRAWING IS THE SOLE PROPERTY OF WOODCRAFTERS HOME PRODUCTS L.L.C. ANY REPRODUCTION IN PART OR AS A WHOLE WITHOUT THE WRITTEN PERMISSION OF WOODCRAFTERS HOME PRODUCTS L.L.C. IS PROHIBITED.

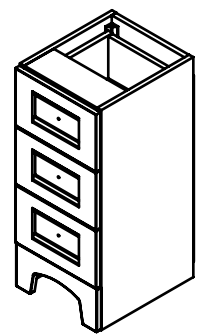
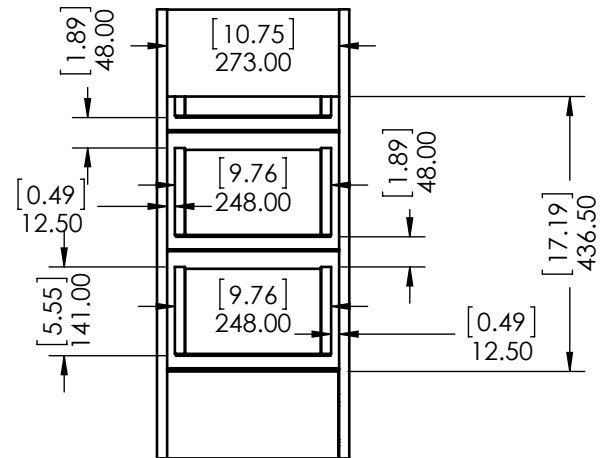
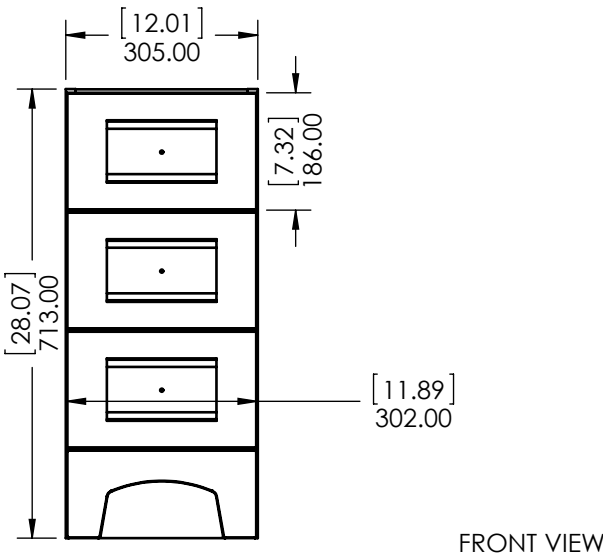
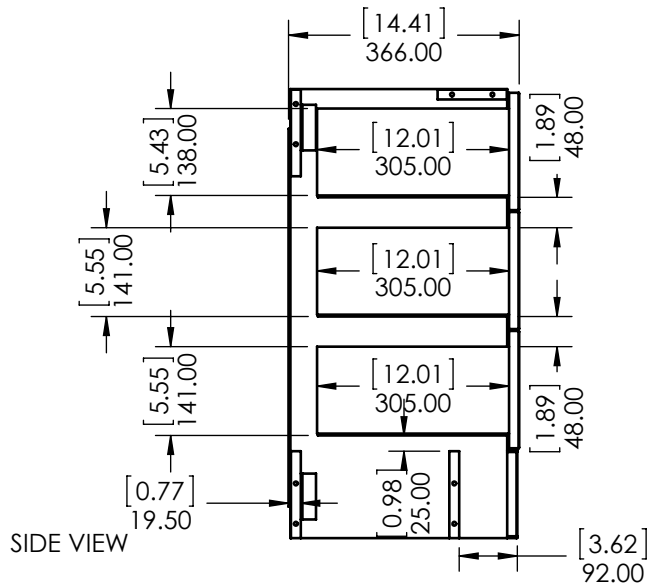
UNLESS OTHERWISE SPECIFIED
 DIMENSIONS ARE IN mm and [inches] AND TOLERANCES ARE +/- 1.0 [0.04]

DRAWN BY:	RR	4/23/19
CHECKED BY:	RR	4/23/19
APPROVED BY:	RR	4/23/19
DO NOT SCALE DRAWING	SCALE: 1:12	SIZE: A

TITLE:	Delridge 12in W x 14.41in D x 28.07in H		
PART NO:	PAGE	1 OF 1	REV: 0

ITEM ID	DESCRIPTION
DR12P2-PG	Delridge 12.13in W x 14.50in D x 29.07in H Vanity in Flagstone with Solid White Vanity Top

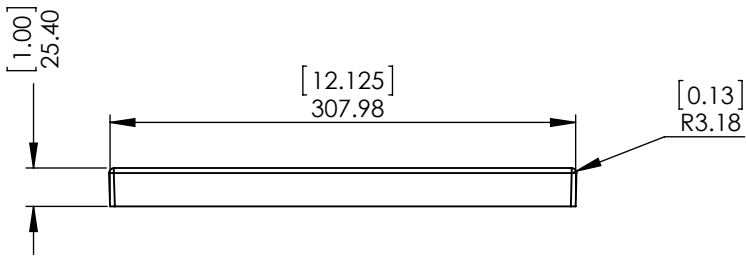
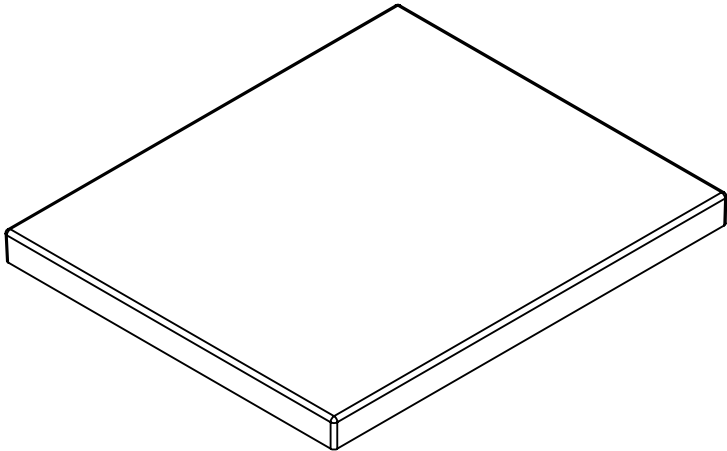
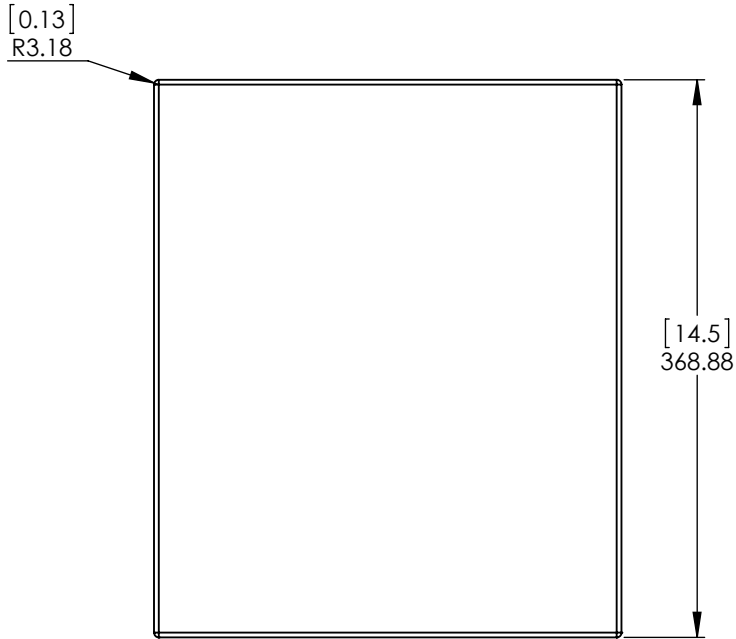
REV	ECO#	DESCRIPTION	REV'D BY DATE	CHK'D BY DATE	APR'V'D BY DATE
0		New Release	RR 04/23/19	RR 04/23/19	RR 04/23/19



PROPRIETARY AND CONFIDENTIAL THE INFORMATION CONTAINED IN THIS DRAWING IS THE SOLE PROPERTY OF WOODCRAFTERS HOME PRODUCTS L.L.C. ANY REPRODUCTION IN PART OR AS A WHOLE WITHOUT THE WRITTEN PERMISSION OF WOODCRAFTERS HOME PRODUCTS L.L.C. IS PROHIBITED.	UNLESS OTHERWISE SPECIFIED DIMENSIONS ARE IN mm and [inches] AND TOLERANCES ARE +/- 1.0 [0.04]	DRAWN BY: RR 4/23/19	TITLE: Delridge 12in W x 14.41in D x 28.07in H
		CHECKED BY: RR 4/23/19	
		APPROVED BY: RR 4/23/19	
		DO NOT SCALE DRAWING SCALE: 1:12 SIZE: A	
		PART NO: PAGE 1 OF 1 REV: 0	

ID	Description	Technology	Status
595543	Slab 12.125x14.5 White	Solid White	Approved for production

Rev #	Approved by	Change
0	R. Rubio	Released



NOTE: MAX. WARPAGE TOLERANCE 1/8"

PROPRIETARY AND CONFIDENTIAL		UNLESS OTHERWISE SPECIFIED		DRAWN		NAME		DATE	
THE INFORMATION CONTAINED IN THIS DRAWING IS THE SOLE PROPERTY OF WOODCRAFTERS. ANY REPRODUCTION IN PART OR AS A WHOLE WITHOUT THE WRITTEN PERMISSION OF WOODCRAFTERS IS PROHIBITED.		DIMENSIONS ARE IN MM. AND (INCHES)		R. Rubio		R. Rubio		1/06/17	
		TOLERANCES ARE + 0.125 [3.175] - 0.125 [-3.175]		CHECKED		R. Rubio		1/06/17	
		SCALE: 1:5		ENG APPR.		R. Rubio		1/06/17	
				MFG APPR.		C. Leal		1/06/17	
				SIZE		DWG. NO.		SHEET 1 OF 1	
				A		Slab 12.125x14.5 White		REV: 0	

