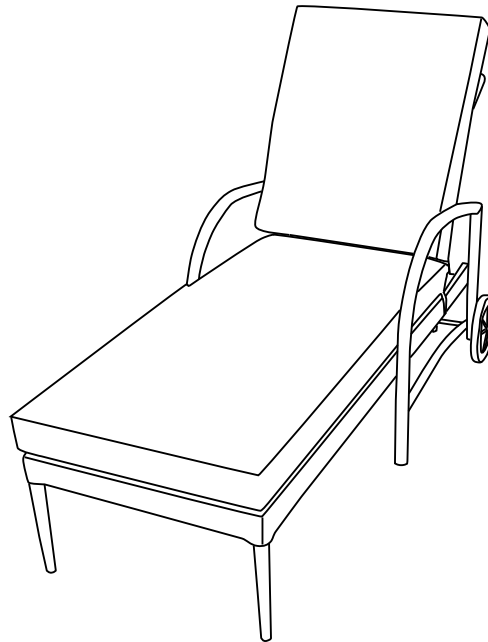




Item # 1000 051 167
YOW SKU # 658 872
Model #153-120-CL

USE AND CARE GUIDE

POSADA CHAISE LOUNGE



Questions, problems, missing parts? Before returning to the store,
call Hampton Bay Customer Service
8.00 a.m. - 6.00 p.m., EST, Monday - Friday

1-855-HD-HAMPTON

HAMPTONBAY.COM

THANK YOU


We appreciate the trust and confidence you have placed in Hampton Bay through the purchase of the chaise lounge. We strive to continually create quality products designed to enhance your home. Visit us online to see our full line of products available for your home improvement needs. Thank you for choosing Hampton Bay!

Table of Contents

Table of Contents.....	2	Pre-Assembly.....	3
Safety Information.....	2	Planning Assembly.....	3
Warranty.....	2	Hardware Included.....	3
2 Year Frame, Weave and Fabric Limited Warranty.....	2	Package Contents.....	4
What Is Covered.....	2	Assembly.....	5
What Is Not Covered.....	2		
Care Instructions.....	2		

Safety Information

 **DANGER:** Please keep children out of the assembly area during assembly.

 **IMPORTANT:** Please check the tightness of bolts periodically.

Warranty

2 YEAR FRAME/ WEAVE/ FABRIC LIMITED WARRANTY

WHAT IS COVERED

We warrant the frame, weave and fabric to be free of manufacturing defects to the original purchaser for two years.

WHAT IS NOT COVERED

It remains the customer's responsibility for freight and packaging charges to and from our service center. This warranty does not cover commercial use, hardware, acts of nature, fire, freezing and abusive use. In addition, purchased parts are not covered under this warranty. We reserve the right to make substitutions with similar merchandise, if the model in question is no longer in production.

Care Instructions

Before using, wipe with a clean, dry cloth. Do not use bleach or solvents. Treat frame with one-step liquid wax for maximum protection against UV light and salty, damp air. When not in use, store furniture in a cool, dry place. If your set includes cushions or mesh fabric, they may be cleaned by hand with a mild solution of soap and water. Rinse cushion thoroughly and allow to drip dry. Do not machine wash or tumble dry, as cushions may shrink. Do not use bleach or solvents on fabrics.

You may contact our customer service department with any questions by phone at 1-855-HD-HAMPTON or visit www.hamptonbay.com.

Pre-Assembly

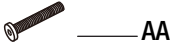
PLANNING ASSEMBLY

It will take two people about 25 minutes to complete the assembly process.

HARDWARE INCLUDED



NOTE: Hardware not shown to actual size.



AA



BB



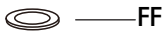
CC



DD



EE



FF



GG



HH



II



JJ



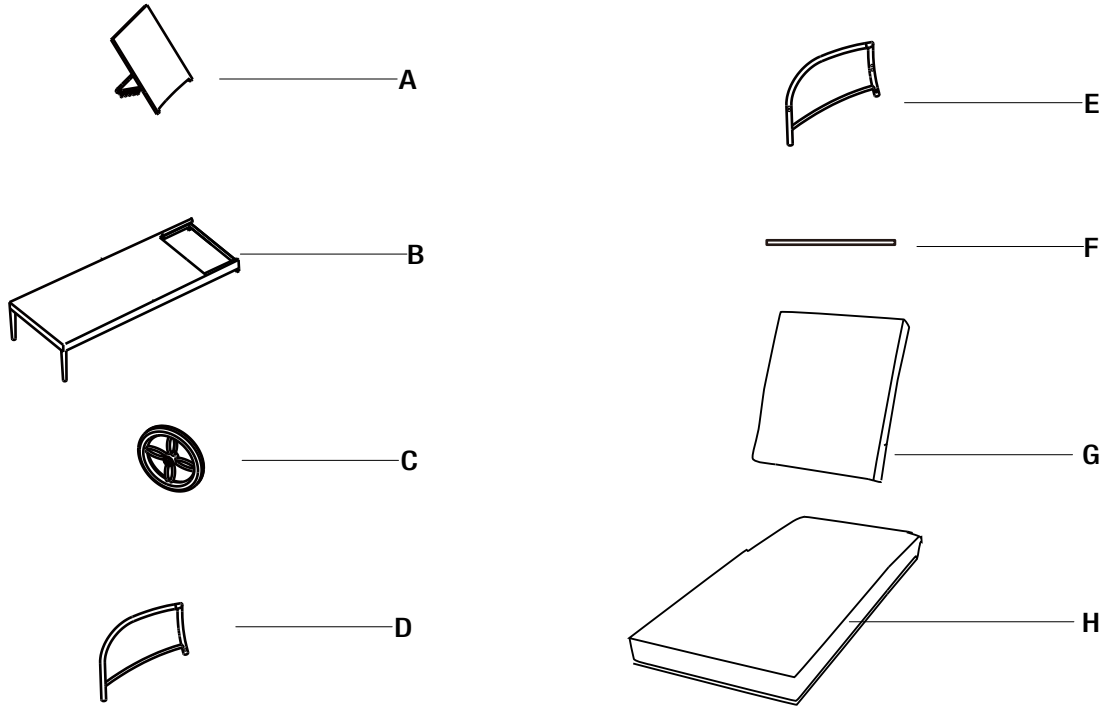
KK

Part	Description	Quantity
AA	Bolt (M6x20)	2
BB	Bolt (M6x35)	4
CC	Lock washer	2
DD	Bolt (M6x50)	2
EE	Bolt (M8x55)	2
FF	Steel washer (φ14)	8
GG	Steel washer (φ16)	2
HH	Plastic washer (φ15*φ6.5)	2

Part	Description	Quantity
II	Bolt cap	8
JJ	Hex wrench	1
KK	Plastic Washer (φ15*φ9)	2

Pre-Assembly (continued)

PACKAGE CONTENTS



Part	Description	Quantity
A	Back panel	1
B	Seat panel	1
C	Wheel	2
D	Left armrest	1
E	Right armrest	1
F	Axle	1
G	Back cushion	1
H	Seat cushion	1

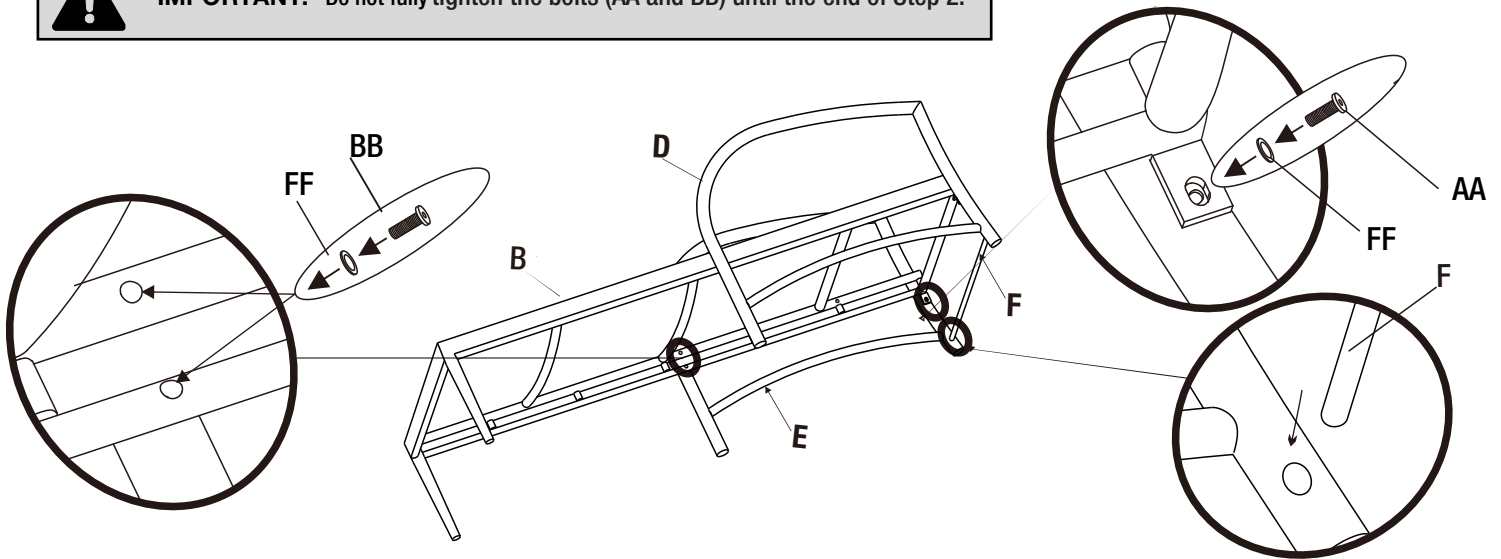
Assembly

1 Attaching the armrests

- Place the right armrest (E) on its side on a flat, smooth surface.
- Attach the seat panel (B) to the right armrest (E) with washers (FF), bolts (BB) and a bolt (AA) using the wrench (JJ). Plug the axle (F) into the rear leg of the right armrest (E).
- Repeat the above procedure for the left armrest (D), allowing axle (F) to fit into the rear leg of the left armrest (D).

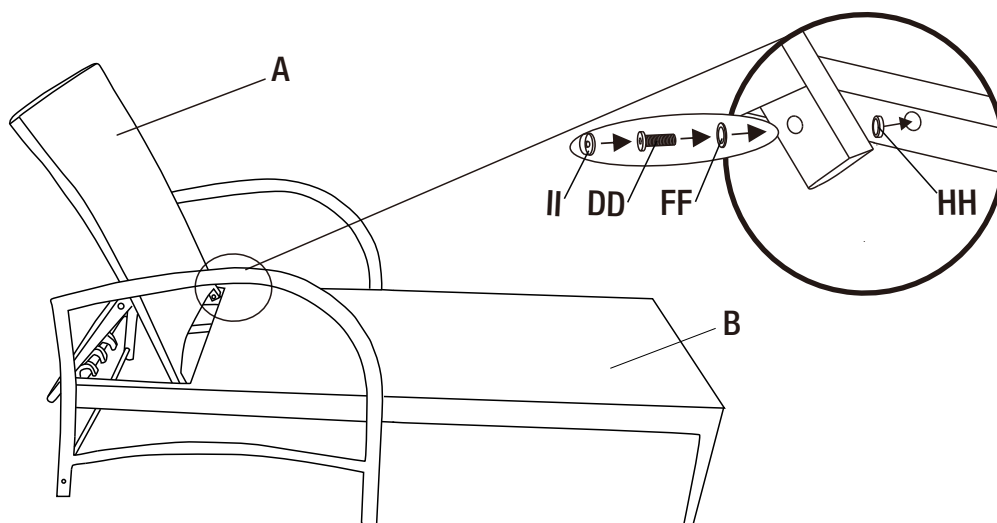


IMPORTANT: Do not fully tighten the bolts (AA and BB) until the end of Step 2.



2 Attaching the back panel

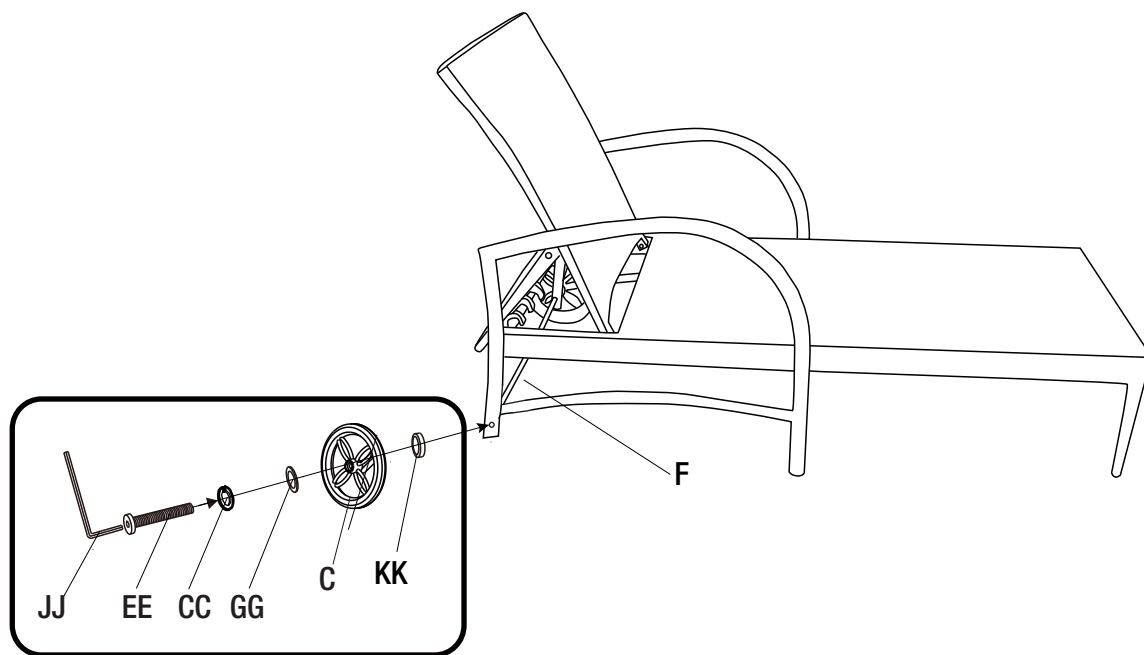
- Attach the back panel (A) to the seat panel (B) with plastic washers (HH), washers (FF) and bolts (DD). Tighten the bolts (DD) with the wrench (JJ) and cover the bolts (AA, BB and DD) with bolt caps (II).



Assembly (continued)

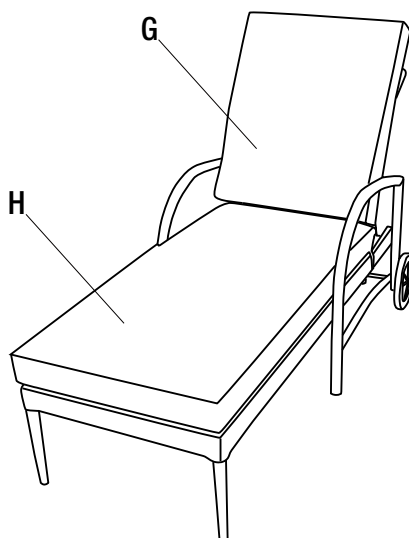
3 Attaching the wheels

- Attach the wheels (C) to the axle (F) with plastic washers (KK), washers (GG), lock washers (CC) and bolts (EE).
- Tighten the bolts (EE) with the wrench (JJ).



4 Placing the cushions on the chaise

- Place the cushions (G) and (H) on the chaise and secure with hook and loop straps.
- Check the stability before use.





Questions, problems, missing parts? Before returning to the store,
call Hampton Bay Customer Service
8.00 a.m. – 6.00 p.m., EST, Monday-Friday

1-855-HD-HAMPTON

HAMPTONBAY.COM

Retain this manual for future use.