

NICOR[®] | **LED**

Gimbal Recessed **LED** Downlight
DCG



The Next Generation of Downlight

DCG

Gimbal Recessed LED Downlight

The **DCG LED Downlight Gimbal Series** provides an economical, easy-to-install upgrade from incandescent or CFL lighting to a long-lasting and energy-efficient LED solution. Its easy to use twist-and-turn design allows for fine adjustment of the gimbal position. The 359 degrees of rotation and 35 degrees of adjustable tilt makes the DCG suitable for sloped ceilings and wall wash. The sleek design enhances any interior space with its flush mounting and aesthetic appeal.

Adjustable Tilt

35 degrees of adjustable tilt and 359 degrees of rotation



IDEAL Connector Base

IDEAL connector enables use with included Edison base, GU24 base or NICOR LED housings



DCG6

Torsion Springs

Compatible with most 6" recessed housings with a fully captured V-spring mounting system



Spring-Steel Clips

Integrated spring steel clips fit in most standard 4" recessed housings

DCG4

Polymer Finish

Robust matte polymer finish prevents chipping, cracking, dents and scratches.



DCG

Ordering Information

Construction

- Durable polymer flange
- Die cast aluminum heat sink
- Spring-steel, friction fit mounting arms for 4" option
- Fully captured, spring-steel mounting arms for 6" options

Optical System

Polystyrene diffuser creates uniform light distribution that reduces glare
Internal reflector cone maximizes lumen output

Electrical

- Input voltage of 120VAC
- Dimmable to less than 5% with recommended TRIAC dimmers
- Operating temperature of 0° to 120°F (-18°C to 49°C)
- TM-21 Reported L70(10K) hours=56,000
- LM-79, LM-80 testing performed in accordance with IESNA standards
- Meets FCC Part 15, Subpart B, Class B standards for conducted and radiated emissions

Installation

Compatible with most 4" and 6" recessed housings
Quick and easy installation with a screw-in Edison base (GU24 socket string available) and friction clip mounting system (4" option) / Torsion spring mounting system (6" option).

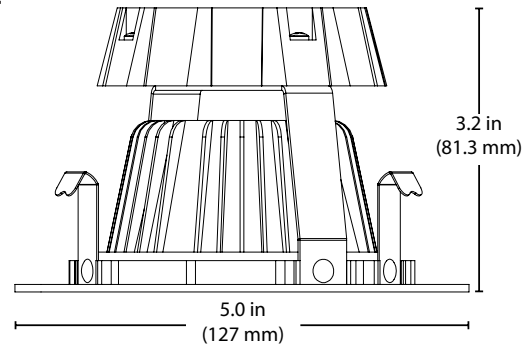
Finish

Matte white polymer

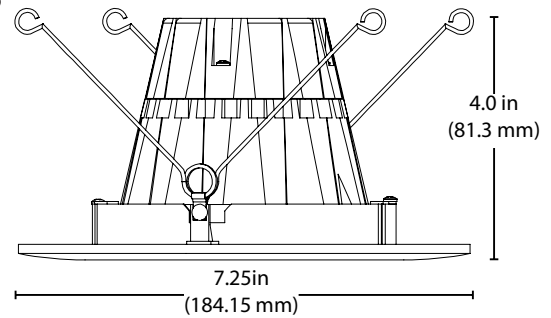
Warranty

5-year limited system warranty standard
Warranty does not cover product failure due to an overvoltage event (power surge). For installations where power surge may be possible, NICOR recommends installing additional surge protection at the electrical panel

DCG4



DCG6



Performance Data			
Model Number	Lumens	Watts	Lumens/Watt
DCG421202K	534	7.5	71.4
DCG421203K	545	7.5	72.8
DCG421204K	565	7.5	75.5
DCG421205K	572	7.5	76.4
DCG621202K	832	10.4	80.0
DCG621203K	848	10.4	81.6
DCG621204K	880	10.4	84.7
DCG621205K	891	10.4	85.7



DCR Ordering Information				Example: DCG621202KWH
Series	Version	Voltage	CCT's	Finish
DCG4	2	120 (120V)	2K (2700 K)	WH (White)
DCG6			3K (3000 K)	
			4K (4000 K)	
			5K (5000 K)	

Warehouse Locations

Albuquerque, NM
Atlanta, GA
Detroit, MI
Hayward, CA

Houston, TX
Miami, FL
Syracuse, NY
Van Nuys, CA

T 800.821.6283

F 800.892.8393

www.nicorlighting.com

2200 Midtown Pl. NE
Albuquerque, NM 87107 USA



LIT-DCG-10PK

©2019 NICOR® • ALL RIGHTS RESERVED