

**SIMPLI**<sup>™</sup>  
HOME

Wyndent Hall<sup>™</sup>  
HOME DECOR

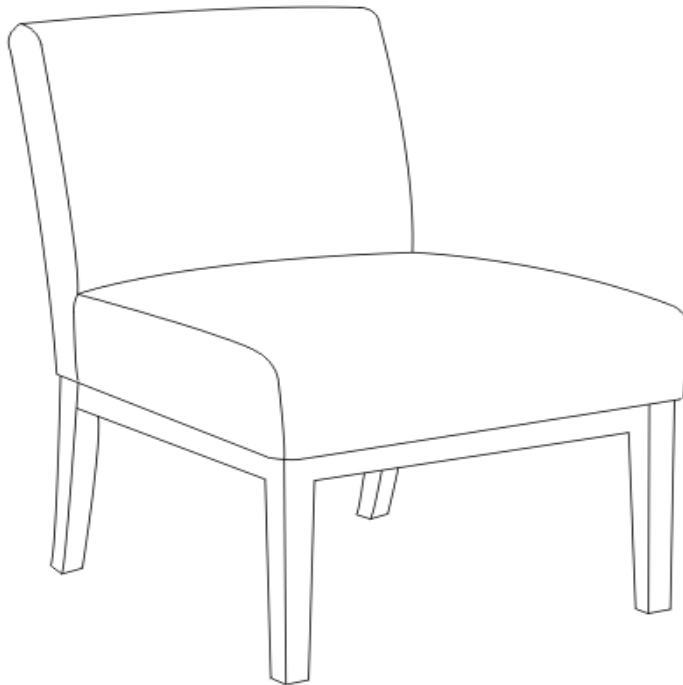
brooklyn + max<sup>™</sup>

## UPTON / SEVILLE / HENDRICKS

---

### ACCENT CHAIR

MODEL# **AXCCHR-007-SLG**





**FOR REPLACEMENT PARTS OR HELP WITH  
ASSEMBLY PLEASE CONTACT US AT:**

**[simpli-home.com/customer-support](https://simpli-home.com/customer-support)**

**PLEASE ENSURE TO HAVE THE MODEL #  
FROM THE PACKAGING OR INSTRUCTION BOOKLET**

**TO RETURN THE PRODUCT:  
PLEASE CONTACT THE RETAILER  
WHERE THE ITEM WAS PURCHASED FROM**



**ENTER  
TO WIN**

**Upload an image of our furniture  
in your home with a short review  
to our facebook page for a chance to**

**Win up to \$3000 of  
Simpli Home furniture!!!**

[www.facebook.com/simplihomefurnishings](http://www.facebook.com/simplihomefurnishings)



**IMPORTANT:** Please read this manual carefully before beginning assembly of this product. Keep this manual for future reference.

## **SAFETY INFORMATION**

Identify all the parts and hardware. Do not discard of the packaging until you have checked that you have all of the parts and hardware required. Hardware package may have spare parts.

**WARNING:** This item contains small parts which can be swallowed by children and pets. Keep children and pets away during assembly. To avoid danger of suffocation, always keep plastic bags away from children and pets.

We recommend that you assemble this unit on a flat smooth surface to avoid scratches. If using power tools, set the tool to low torque to avoid damage.

**May require 2 people for ease of assembly.**

## **CARE and MAINTENANCE**

Wipe regularly with clean water and a damp, clean, soft white cloth.

General cleaning can be done as needed with a mild detergent and water solution. Always rinse with clean water and dry.

For heavy soiling, dampen a soft white cloth or soft bristle brush.

Use care as scrubbing can damage the surface.

More difficult stains can be treated, but this should be occasional, not daily cleaning.

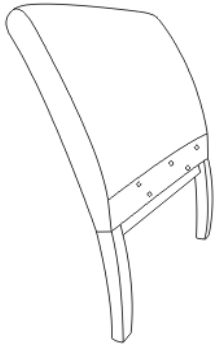
ANY cleaning solution used must be removed with clean water and a clean white cloth. Cleaning residue left on the material can cause it to dry out and crack, or affect the color.

**DO NOT** use any cleaners with corrosive ingredients (lye, acids or ammonia).

# PRE-ASSEMBLY INFORMATION

## PARTS DESCRIPTION

1



CHAIR BACK  
QTY 1

2



SEAT CUSHION  
QTY 1

3



FRONT LEG  
QTY 2

**NEED HELP?** For help with assembly or if you are missing a part,  
Please call customer service at 1-866-518-0120 ext. 262 (9 am to 4 pm EST)

# PRE-ASSEMBLY INFORMATION

## HARDWARE DESCRIPTION

A



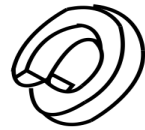
ALLEN KEY SCREW  
M8 X 50 mm  
QTY5

B



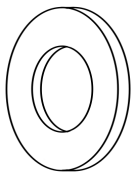
ALLEN KEY SCREW  
M8 X 60 mm  
QTY 4

C



LOCK WASHER  
QTY 9

D



WASHER  
QTY 9

E

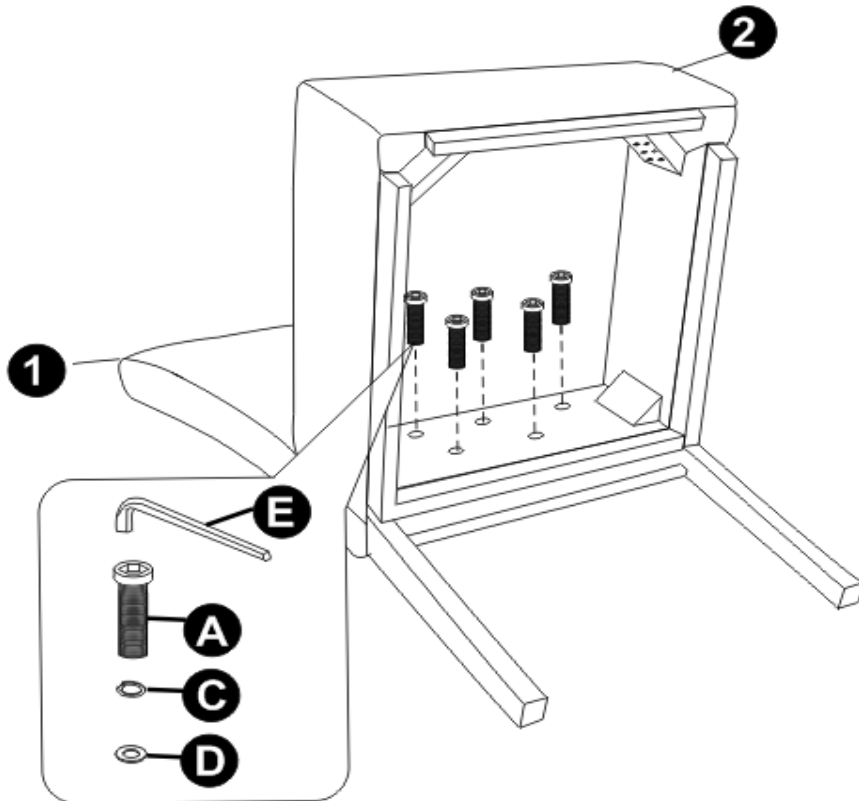


ALLEN KEY  
QTY 1

**NEED HELP?** For help with assembly or if you are missing a part,  
Please call customer service at 1-866-518-0120 ext. 262 (9 am to 4 pm EST)

# ASSEMBLY

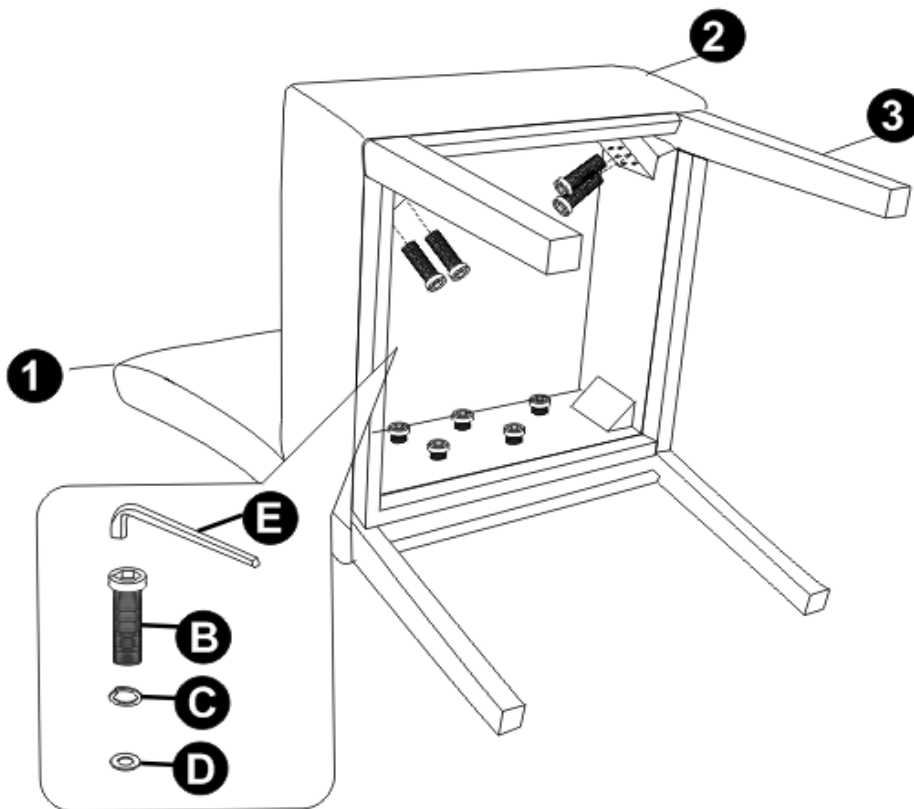
## STEP 1



Align Seat Cushion (2) into pre-drilled holes on Chair Back (1).  
Attach Seat Cushion (2) to Chair Back (1) using Allen Key Screws (A),  
five Lock Washers (C) and five Washers (D).  
Use Allen Key (E) to tighten. Do not over-tighten.

# ASSEMBLY

## STEP 2

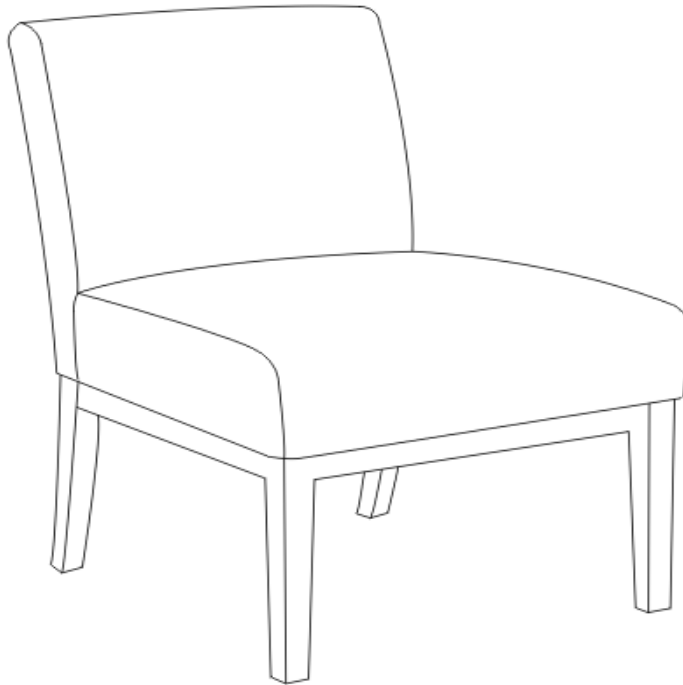


Attach Front Legs (3) to Seat Cushion (2) using Allen Key Screws (B), four Lock Washers (C) and four Washers(D).  
Use Allen Key (E) to tighten.



# ASSEMBLY

## STEP 3



Turn chair right side up.



## WARRANTY

Thank you for purchasing a **Simpli Home – Wyndenhall – Brooklyn + Max** product. These products have been made to demanding, high-quality standards and are guaranteed for domestic use against manufacturing faults for a period of 12 months from the date of purchase. This warranty does not affect your statutory rights.

In case of any malfunction of your product (failure, missing parts, etc.) please contact us at our toll free service line at 1-866-518-0120 ext. 262 from 9 am to 4 pm, Monday to Friday, Eastern Standard Time or by email at [simpli-home.com/customer-support](http://simpli-home.com/customer-support).

We reserve the right to repair or replace the defective product, at its discretion.

This product is guaranteed for 12 months if used for normal purposes. Any warranty is invalid if the product has been overloaded or subject to neglect, improper use or an attempted repair by other than an authorized agent. Heavy-duty or daily professional/commercial usage are not guaranteed.

Due to continuous product improvement, we reserve the right to change the product specifications without prior notice.



**Questions, problems, missing parts?**

**Before returning your product**  
please email Customer Support at  
[simpli-home.com/customer-support](mailto:simpli-home.com/customer-support)

or call

Customer Support at 1-866-518-0120 ext. 262  
Monday to Friday between 9 am – 4 pm EST

For more information visit us on our website  
[www.simpli-home.com](http://www.simpli-home.com)

Like us on facebook  
[www.facebook.com/simplihomefurnishings](http://www.facebook.com/simplihomefurnishings)