



INTAKE NOISE SUPPRESSOR

INSTALLATION MANUAL

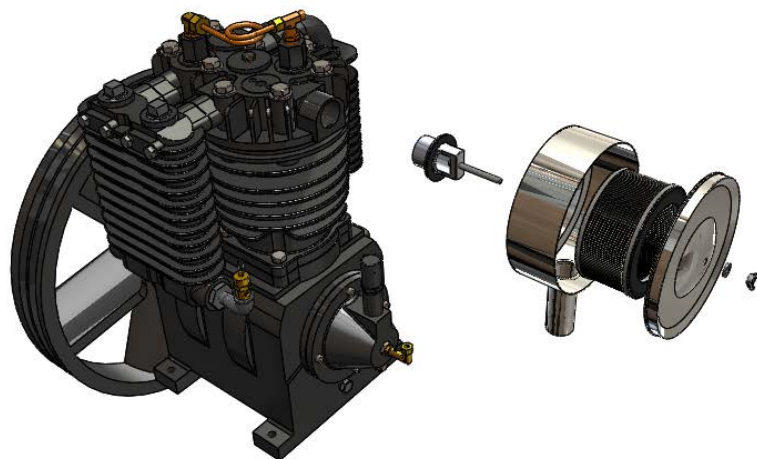


PARTS LIST

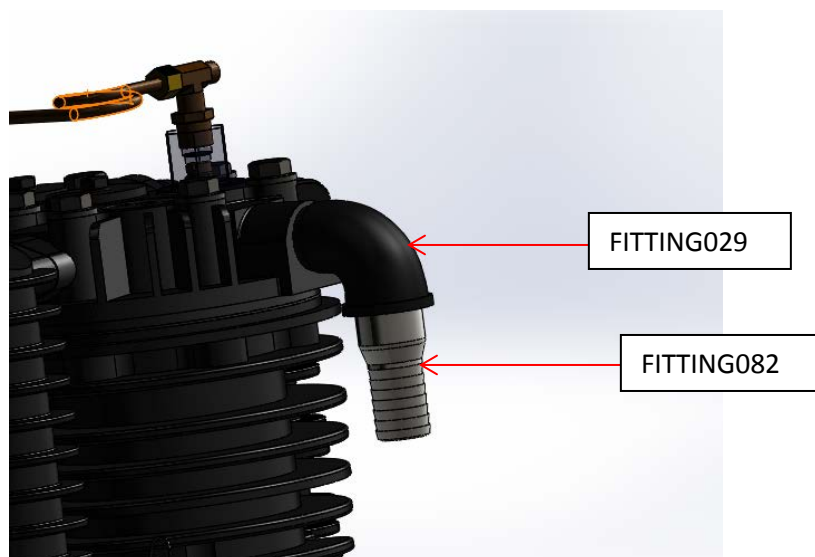
PART NUMBER	DESCRIPTION	QUANTITY	PICTURE
<i>FITTING029</i>	<i>1" STREET L</i>	<i>4</i>	
<i>FITTING034</i>	<i>1" NPT PLUG (OPTIONAL)</i>	<i>1</i>	
<i>FITTING082</i>	<i>1" NPT MALE X 1" BARBED</i>	<i>4</i>	
<i>FITTING024</i>	<i>3/4" NPT NIPPLE 1 1/8" LONG (OPTIONAL)</i>	<i>2</i>	
<i>FITTING041</i>	<i>1/2" NPT NIPPLE 1 3/8" LONG (OPTIONAL)</i>	<i>2</i>	
<i>FITTING090</i>	<i>1" NPT X 1/2" NPT REDUCER (OPTIONAL)</i>	<i>2</i>	
<i>FITTING091</i>	<i>1" NPT X 3/4" NPT REDUCER (OPTIONAL)</i>	<i>2</i>	
<i>HOSE002</i>	<i>1" I.D. BLACK VENT HOSE</i>	<i>12 FT.</i>	
<i>SILENSOR001</i>	<i>INTAKE NOISE SUPPRESSOR</i>	<i>1</i>	

Installation Instructions

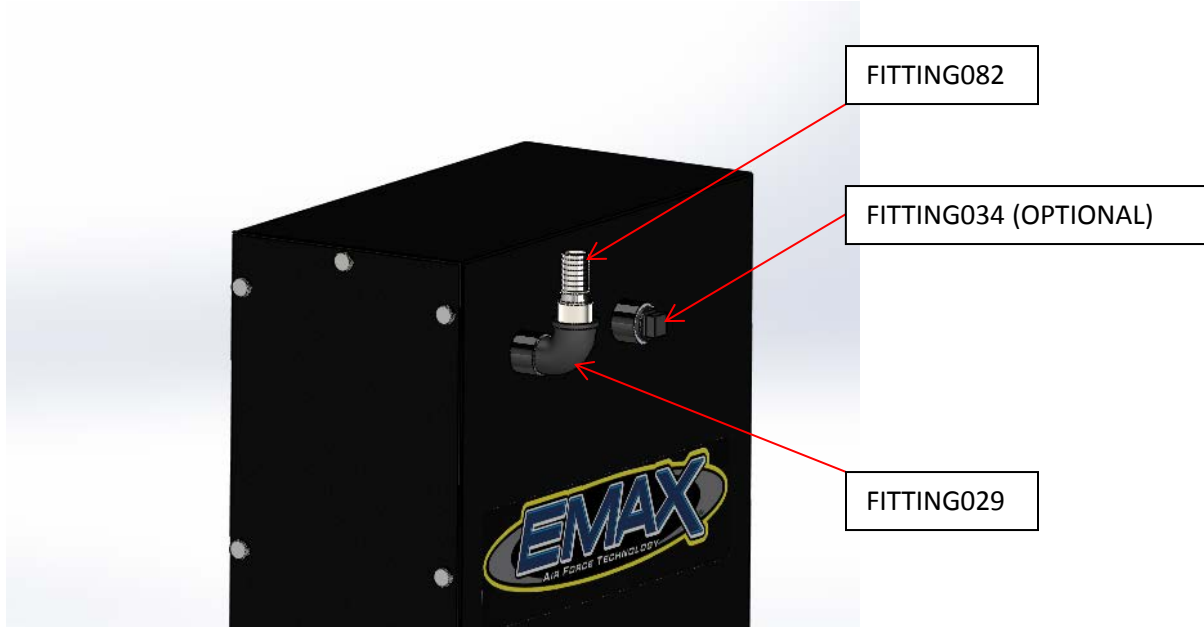
1. Remove existing filter assembly/assemblies from compressor pump



2. Install FITTING029 (1" Street L) into head intake port tighten until elbow is facing down. Install FITTING082 (barbed connector) into FITTING029 and tighten. NOTE: Standard Intake Port size is 1", however some pumps may have 1/2" or 3/4" port sizes. Additional fittings have been supplied to reduce from 1" to 1/2" or 3/4" if necessary. Additional components are marked (OPTIONAL) on Parts List.



3. Install FITTING029 into port opening and tighten until elbow outlet is pointing upward. Install FITTING082 into FITTING029 and tighten. *NOTE: Example shown below requires only one outlet due to a single pump filter application and addition port has been plugged using FITTING034 (1" NPT PLUG).*



4. Place Silencer in desired location (recommend just to the left of the unit). Trim HOSE002 to desired length and slip over FITTING082 BARBED CONNECTOR.



5. To access and replace Silencer Filter Elements:
- a. Remove thumb screws from front of Silencer
 - b. Remove Silencer Access Panel
 - c. Remove filter wing nuts
 - d. Remove filter covers
 - e. Remove filter elements

