



# ProLED® LED LAMPS

JC Lamp Series



**sollos**  
LANDSCAPE LIGHTING

**Halco**  
LIGHTING TECHNOLOGIES

# Halco ProLED JC Series LED Lamps

The Broadest, Strongest Line of JC Lamps in the Industry



## The Greatest Variety

- 9 IP Rated Versions
- 12 Traditional Versions



## The Greatest Versatility

- Directional and Omnidirectional Distributions
- Full Range of Lumen Outputs
- Wide Variety of Colors and Color Temperatures
- Multiple Base Types Ensure Fixture Compatibility



## The Greatest Reliability

- Up to Five Year Warranties
- 20-Year Warranty on Many Models  
When Installed in Sollos Fixtures

**20**Year  
Warranty\*

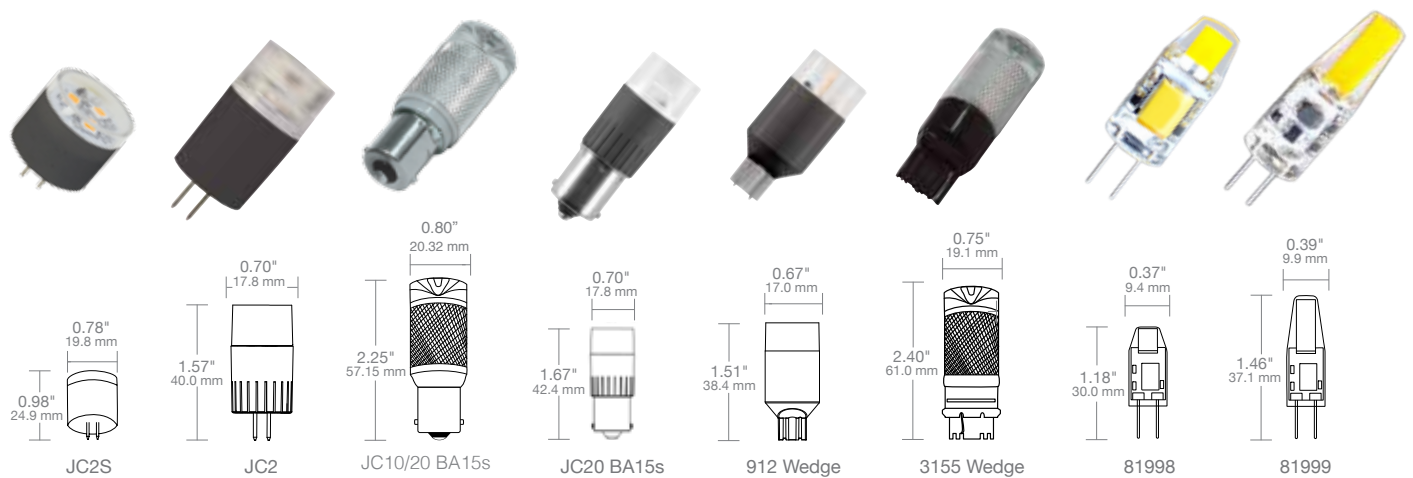


# IP Rated LED JC Series

ProLED IP rated JC lamps feature premium lighting performance in the industry's most durably constructed lamps. The directional output of each version ensures smooth light distribution in path lights, virtually eliminating shadows around the fixtures. Their performance, combined with the wide variety of color temperatures, lumen outputs and base types, has established the IP Series as the premier lamp in landscape lighting.

## Specifications

- Directional light output maximizes control and distribution
- Wide variety of base types and body shapes for application versatility
- High power and SMD LED options
- Up-to 88% energy savings - 2.5W JC versus 20W Halogen
- IP65 Rated for high performance and versatility
- 10-18V input voltage range
- Up-to 40,000 hour life, 20 times longer than traditional lamps
- Available in 2700K, 3000K CCT
- 82 CRI for quality and consistent color rendering
- No mercury or UV/IR emissions
- RoHS Compliant
- 5-Year limited warranty on IP65 rated lamps
- 20 year warranty when installed in Sollos fixtures



Watt	Base	Product #	Product Code	Description	Volts	Color Temp.	CRI	Lumens	Useful Life*	Pkg. Qty.	MOL	Wattage Equivalent
<b>JC1</b>												
1.2 Watt	G4	81998	JC1/830/OMNI/IP65/LED	IP65 Rated	10-15	3000K	82	110	15,000	1/10	1.18"	10
<b>JC2S</b>												
1.4 Watt	G4	81091	JC2S/827/LED2	IP65 Rated	10-15	2700K	82	140	40,000	1/10	0.98"	20
1.4 Watt	G4	81092	JC2S/830/LED2	IP65 Rated	10-15	3000K	82	150	40,000	1/10	0.98"	20
<b>JC2</b>												
1.6 Watt	G4	81999	JC2/830/OMNI/IP65/LED	IP65 Rated	10-15	3000K	82	180	15,000	1/10	1.46"	20
2.3 Watt	G4	81109	JC2/827/LED2	Omnidirectional, IP65 Rated	10-15	2700K	82	250	40,000	1/10	1.57"	20
2.3 Watt	G4	81108	JC20/2WW/LED2	Omnidirectional, IP65 Rated	10-15	3000K	82	250	40,000	1/10	1.57"	20
<b>JC10</b>												
1.5 Watt	BA15s	80810	JC10/1WW/BA15S/LED2	IP65 Rated	10-18	3000K	82	100	40,000	1/10	1.93"	10
<b>JC20</b>												
2.3 Watt	BA15s	81100	JC20/2WW/BA15S/LED2	IP65 Rated	10-15	3000K	82	250	40,000	1/10	2.00"	20
1.2 Watt	Wedge	81102	912/1WW/LED2	IP65 Rated	10-15	3000K	82	120	40,000	1/10	1.51"	10
2.3 Watt	Wedge	81101	3155/2WW/LED2	IP65 Rated	10-15	3000K	82	250	40,000	1/10	1.67"	20
2.5 Watt	Wedge	80777	3155/2WW/LED	IP65 Rated	10-18	3000K	82	140	40,000	1/10	2.40"	20

\* Useful Life is defined as the point in time at which the lamp will maintain at least 70% of its initial lumens. The lamp will continue to burn past this point at decreased light levels. May not be compatible with all electronic transformers. Not for use in enclosed luminaires. Suitable for use in sealed metal landscape luminaires; standard JC lamps require protection from elements. IP65 rated lamps are rated for use outdoors where exposed directly to water from rain or irrigation. The lamp is not submersible nor for use in enclosed luminaires. Suitable for use in sealed metal landscape luminaires.

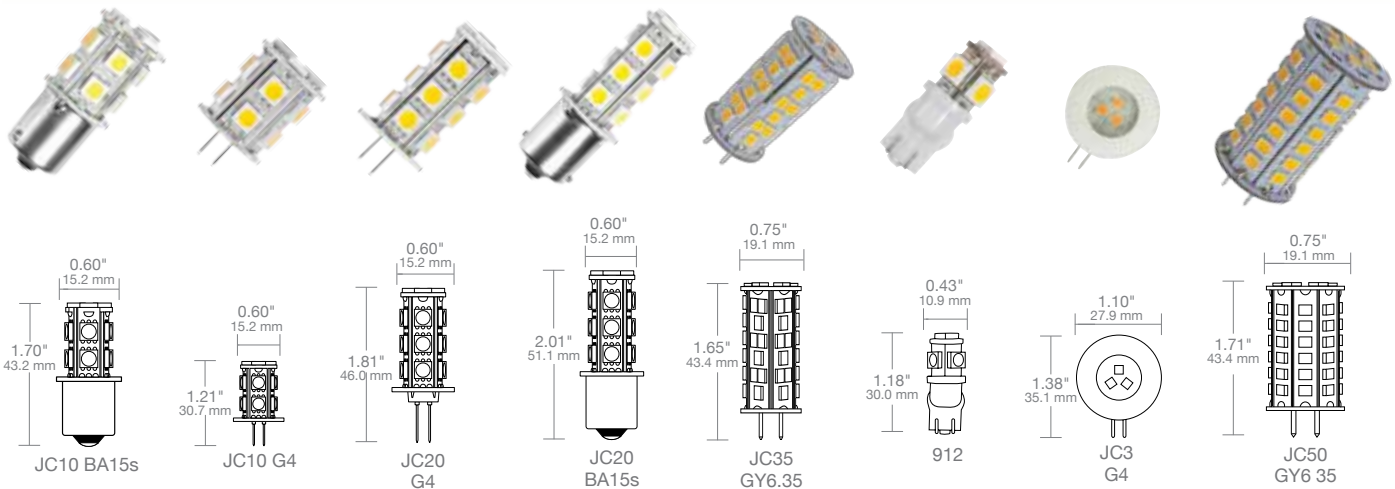
# Traditional LED JC Series



ProLED Traditional JC lamps proven reliability has established them as the industry standard in LED lamp sources. The omnidirectional distribution creates maximum application versatility, allowing them to be used in path lights, floodlights, deck and step lights. And the wide variety of colors, color temperatures, lumen outputs and base types, has made the Traditional JC Series the go-to lamp for industry professionals for years.

## Specifications

- Omnidirectional distribution for smooth, even light
- Available in 2700K, 3000K and 5000K CCT
- Wide variety of wattages and base types for maximum application versatility
- 82 CRI for quality and consistent color rendering
- 10-18VAC and 10-24VAC input voltage range
- Amber, blue, green or red color options
- No mercury or UV/IR emissions
- RoHS Compliant
- 3-Year limited warranty
- Will work with AC and DC voltage



Watt	Base	Product #	Product Code	Description	Volts	Color Temp.	CRI	Lumens	Useful Life*	Pkg. Qty.	MOL	Wattage Equivalent
<b>JC10</b>												
1W	Wedge	80791	912/1WW/LED2	Omnidirectional	10-18	3000K	82	75	20,000	1/50	1.18"	10
1.5 Watt	BA15s	80692	JC10/1WW/BA15S/LED	Omnidirectional	10-24	3000K	82	150	30,000	1/40	1.70"	10
1.5 Watt	G4	80693	JC10/1WW/LED	Omnidirectional	10-24	3000K	82	150	30,000	1/10	1.21"	10
<b>JC20</b>												
1.8 Watt	G4	80782	JC20/2AMB/LED	Omnidirectional Amber	10-24	-	-	-	30,000	1/40	1.81"	-
1.8 Watt	G4	80780	JC20/2BLU/LED	Omnidirectional Blue	10-24	-	-	-	30,000	1/40	1.81"	-
1.8 Watt	G4	80779	JC20/2GRN/LED	Omnidirectional Green	10-24	-	-	-	30,000	1/40	1.81"	-
1.8 Watt	G4	80781	JC20/2RED/LED	Omnidirectional Red	10-24	-	-	-	30,000	1/40	1.81"	-
2.4 Watt	BA15s	80691	JC20/2WW/BA15S/LED	Omnidirectional	10-24	3000K	82	250	30,000	1/40	2.01"	20
2.4 Watt	G4	80833	JC2/827/LED	Omnidirectional	10-24	2700K	82	240	30,000	1/10	1.81"	20
2.4 Watt	G4	80690	JC20/2WW/LED	Omnidirectional	10-24	3000K	82	250	30,000	1/40	1.81"	20
2.4 Watt	G4	80815	JC20/2NW/LED	Omnidirectional	10-24	5000K	82	260	30,000	1/10	1.81"	20
<b>JC35</b>												
4.5 Watt	GY6.35	80830	JC35/4WW/LED	Omnidirectional	10-18	3000K	82	450	30,000	1/30	1.65"	35
<b>JC50</b>												
5.5 Watt	GY6.35	81997	JC50/5WW/LED	Omnidirectional	10-18	3000K	82	550	30,000	1/30	1.71"	50
<b>JC3</b>												
3.3 Watt	G4	81078	JC3VWFL/827/LED	100° Very Wide Flood	12	2700K	82	200	25,000	1/10	1.38"	20

\* Useful Life is defined as the point in time at which the lamp will maintain at least 70% of its initial lumens. The lamp will continue to burn past this point at decreased light levels. May not be compatible with all electronic transformers. Not for use in enclosed luminaires. Suitable for use in sealed metal landscape luminaires; standard JC lamps require protection from elements. IP65 rated lamps are rated for use outdoors where exposed directly to water from rain or irrigation. The lamp is not submersible nor for use in enclosed luminaires. Suitable for use in sealed metal landscape luminaires.