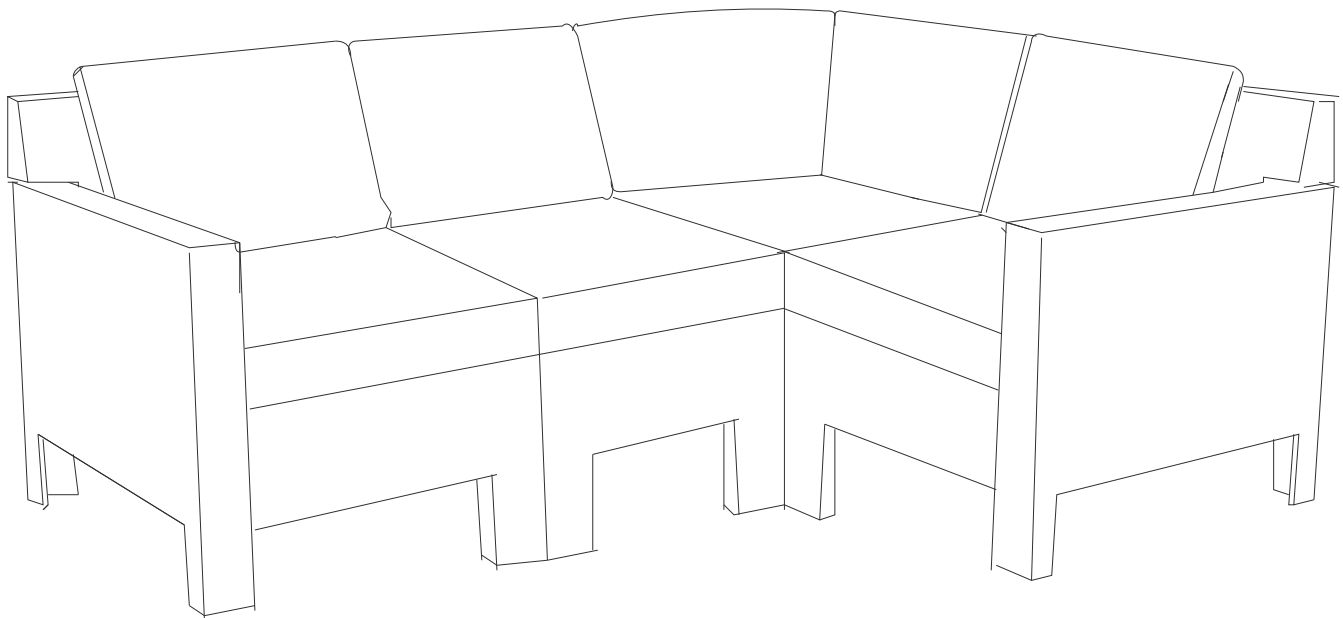




Item #
Model #

USE AND CARE GUIDE

LAGUNA POINT DEEP SEATING KD SECTIONAL SET 5 W/ CUSHION-CHAIRS



Questions, problems, missing parts? Before returning to the store,
call Hampton Bay Customer Service
8 a.m. - 6 p.m., EST, Monday

1-855-HD-HAMPTON

HAMPTONBAY.COM

THANK YOU

We appreciate the trust and confidence you have placed in Hampton Bay through the purchase of this table. We strive to continually create quality products designed to enhance your home. Visit us online to see our full line of products available for your home improvement needs. Thank you for choosing Hampton Bay!

Table of Contents

Table of Contents	2	Pre-Assembly	3
Safety Information	2	Planning Assembly.....	3
Set Up Your Furniture Properly.....	2	Hardware Included.....	3
Examine Your Furniture.....	2	Package Contents.....	4,5,6,7
Observe Weight Limits.....	2	Assembly	8,9,10,11,12
Warranty	2	Care and Cleaning	13
What is Covered.....	2		
What is Not Covered.....	2		

Safety Information

SET UP YOUR FURNITURE PROPERLY

- Ensure that all parts are assembled properly and fully tightened as per the instructions.
- When placing in the desired location, ensure that all legs are resting on the same surface.

EXAMINE YOUR FURNITURE

- Examine occasionally to ensure that there are no loose parts. If loose parts are found, they must be re-tightened fully before additional use.

OBSERVE WEIGHT LIMITS

The weight limits for the following products are listed below:

- | | |
|--|---|
| <input type="checkbox"/> Chair: 300 lbs | <input type="checkbox"/> Sofa: 700 lbs |
| <input type="checkbox"/> Swivel Chair: 300 lbs | <input type="checkbox"/> Rocking Chair: 300 lbs |
| <input type="checkbox"/> Loveseat: 500 lbs | <input type="checkbox"/> Chaise Lounge: 300 lbs |
| <input type="checkbox"/> Ottoman: 150 lbs | <input type="checkbox"/> Dining Table: 100 lbs |
| <input type="checkbox"/> Table: 50 lbs | <input type="checkbox"/> Dining Chair: 200 lbs |



CAUTION: If you overload your furniture, injuries can occur.

Warranty

TWO YEAR FRAME, WEAVE AND FABRIC LIMITED WARRANTY

WHAT IS COVERED

We warrant the frame, weave and fabric to be free of manufacturing defects to the original purchaser for two years. For glass table top we warrant 30 days from the date of purchase.

WHAT IS NOT COVERED

This warranty does not cover commercial use, hardware, acts of nature, fire, freezing and abusive use. In addition, purchased parts are not covered under this warranty.

We reserve the right to make substitutions with similar merchandise, if the model in question is no longer in production.

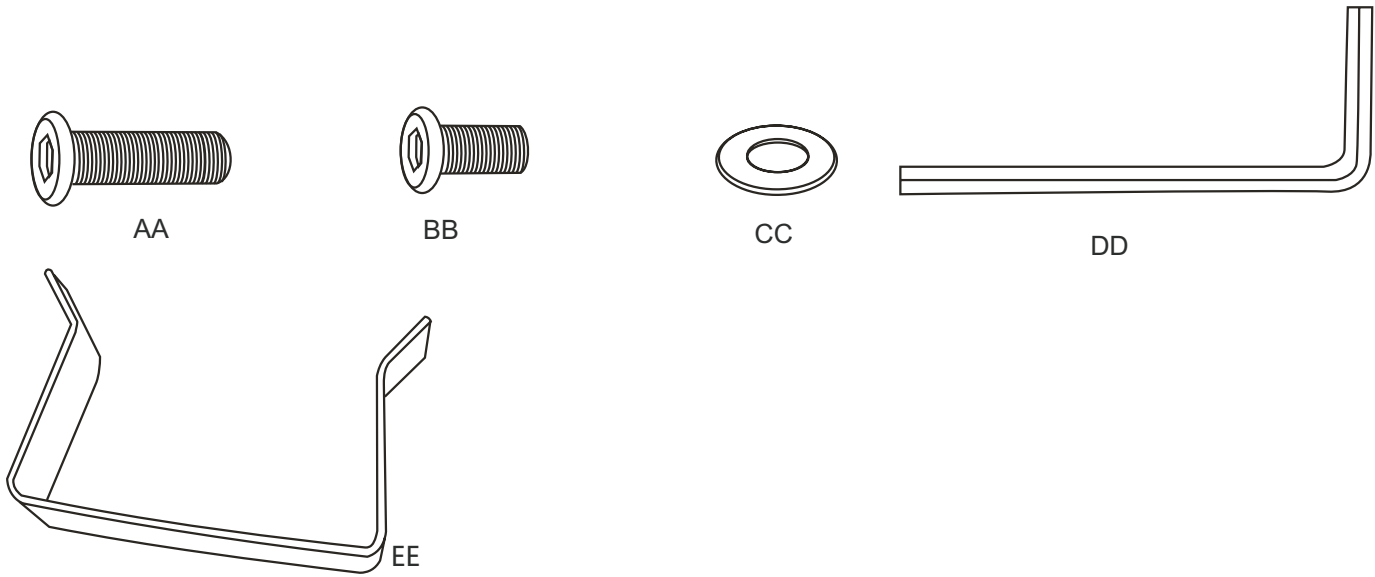
Contact the Customer Service Team at 1-855-HD-HAMPTON or visit www.Hamptonbay.com.

Pre-Assembly

PLANNING ASSEMBLY

To prevent damage, place all parts on a soft surface during assembly. Remove all protective caps before beginning assembly.

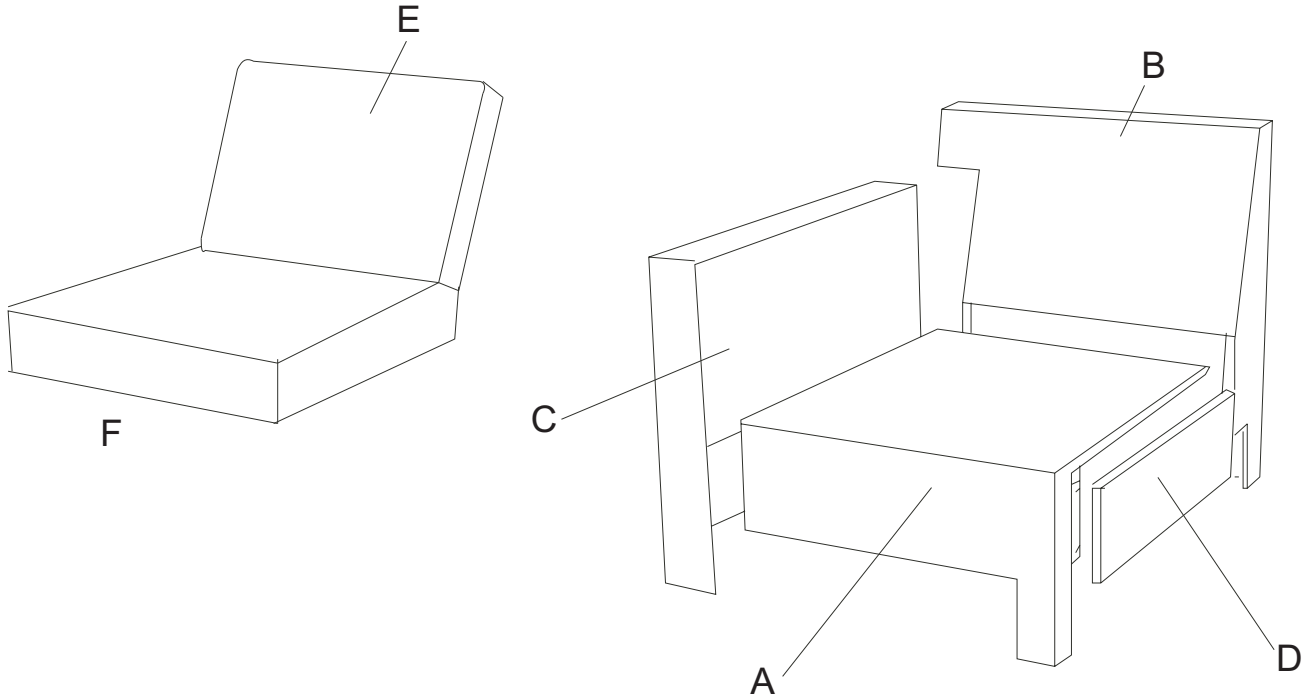
HARDWARE INCLUDED



Part	Description	Quantity
AA	Bolt $\Phi 1/4$ x40 mm	6
BB	Bolt $\Phi 1/4$ x20 mm	33
CC	Washer Φ 6mm	39
DD	Hex wrench 4mm	1
EE	U Shape connector	4

Pre-Assembly (continued)

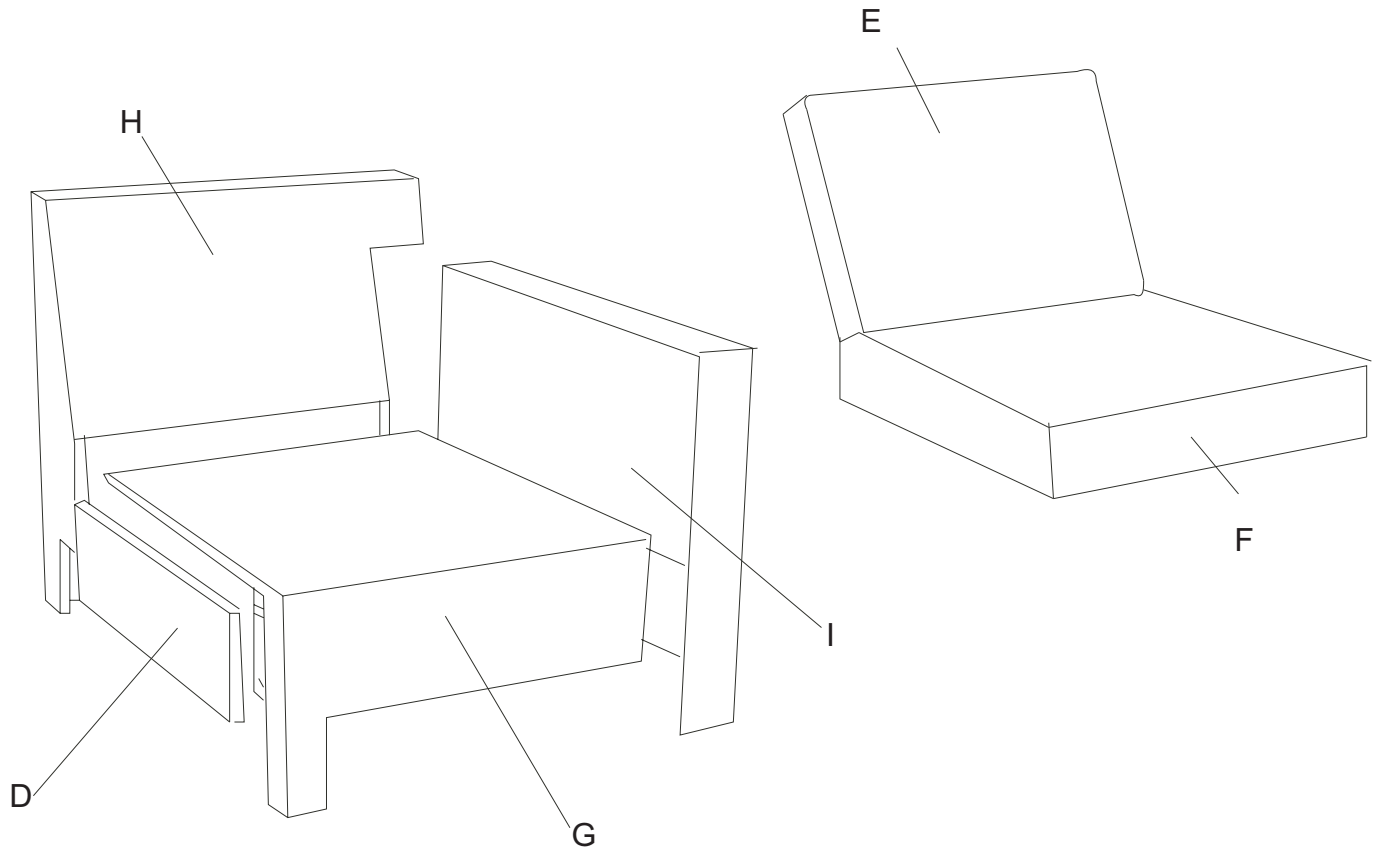
PACKAGE CONTENTS (LEFT ARM)



Part	Description	Quantity
A	Seat	1
B	Back	1
C	Left Arm	1
D	Side skirt	1
E	Back Cushion	1
F	Seat Cushion	1

Pre-Assembly (continued)

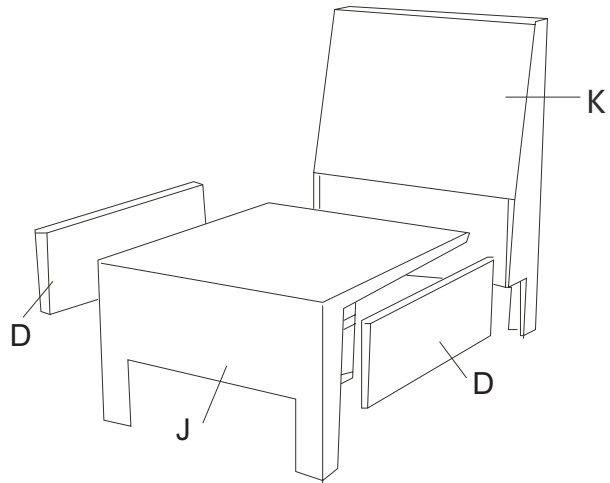
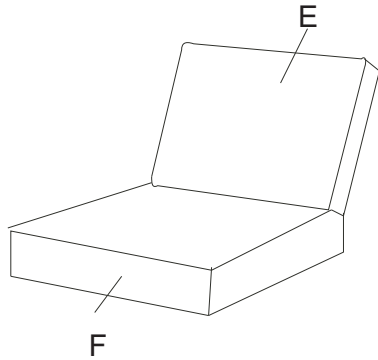
PACKAGE CONTENTS(RIGHT ARM)



Part	Description	Quantity
G	Seat	1
H	Back	1
I	Right Arm	1
D	Side skirt	1
E	Back Cushion	1
F	Seat Cushion	1

Pre-Assembly (continued)

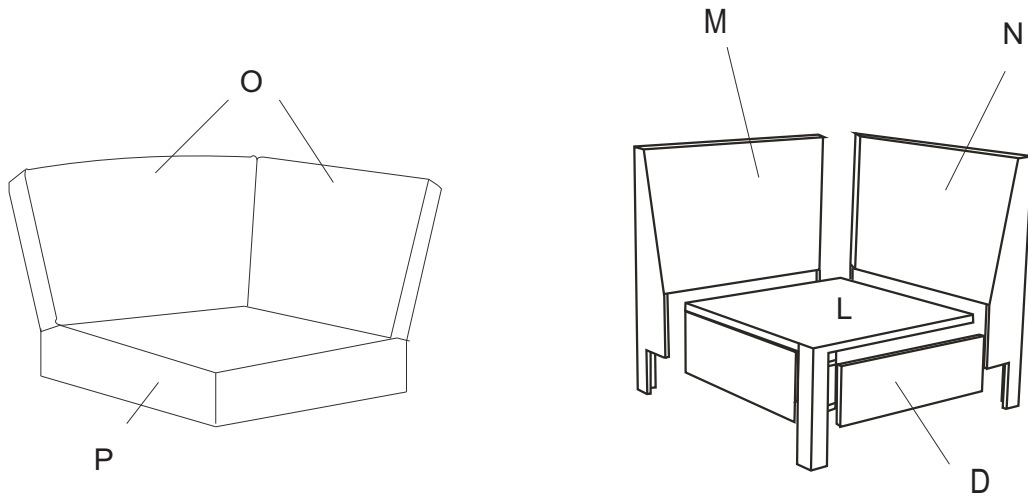
PACKAGE CONTENTS(MIDDLE)



Part	Description	Quantity
J	Seat	1
K	Back	1
D	Side skirt	1
E	Back Cushion	1
F	Seat Cushion	1

Pre-Assembly (continued)

PACKAGE CONTENTS(CORNER)

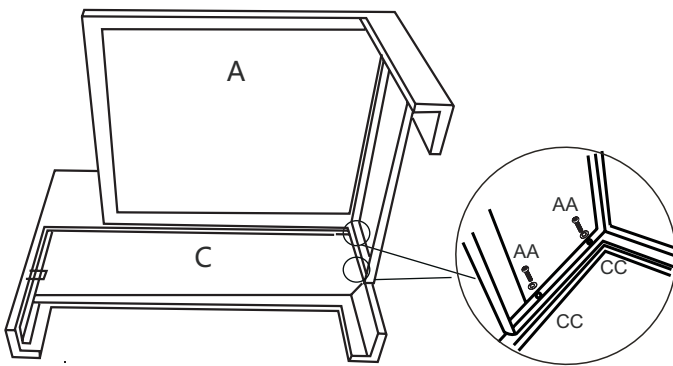


Part	Description	Quantity
L	Seat	1
M	Right back	1
N	Left back	1
D	Side skirt	1
O	Back cushion	2
P	Seat cushion	1

Assembly(Left arm)

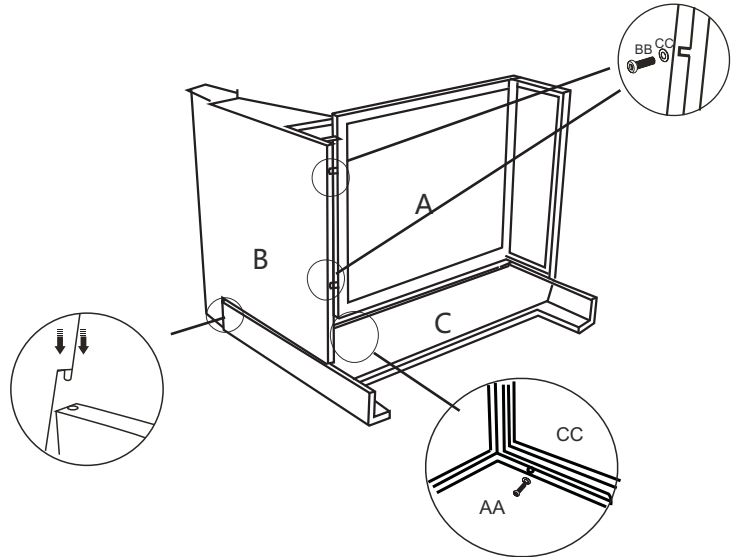
1 Attaching the left arm to the seat

- Place the left arm (C) on a soft surface.
- Attach the seat (A) to the left arm (C), fasten with bolts (AA) with washers (CC). Tighten half way using the Hex wrench (DD).



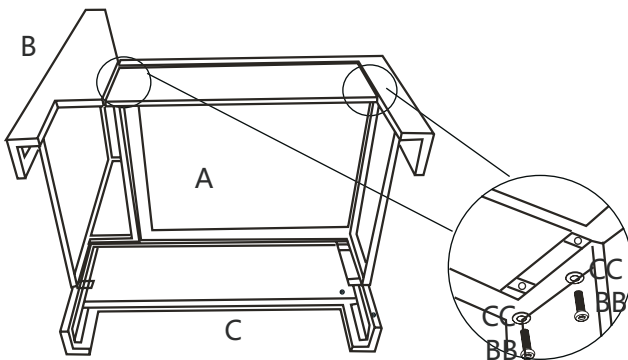
2 Attaching the back

- Put the back (B) metal side into the hole of arm (C). Attach left arm (C) to the back (B), fasten bolts (AA) and washer (CC). Tighten half way using the Hex wrench (DD). Insert two pins on the back (B) into the holes on arm (C), fasten bolts (BB) and washer (CC). Tighten half way using the Hex wrench (DD).



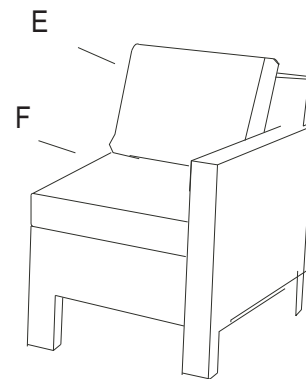
3 Adding the side skirt

- Attach the side skirt (D) to the seat (A) by aligning holes on the seat (A) with the holes on the side skirt (D) and inserting bolts (BB) with washers (CC). Tighten half way using the Hex wrench (DD). Do not tighten completely.



4 Completing the assembly

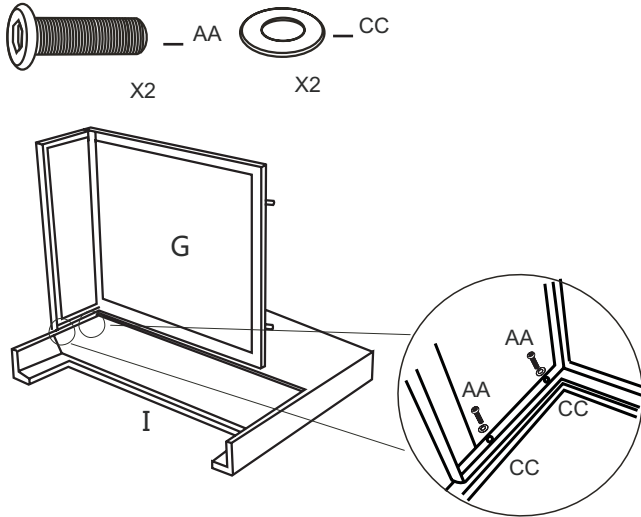
- Check and make adjustment as needed.
- Fully tighten all the bolts with the Hex wrench (DD).
- Place the seat cushion (F) and the back cushion (E) on the chair.
- This chair is now ready for your enjoyment.



Assembly(Right arm)

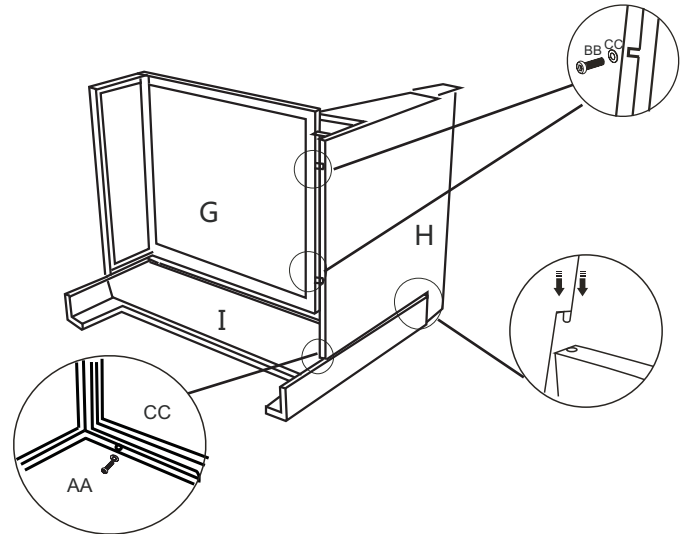
1 Attaching the Right arm to the seat

- Place the right arm (I) on a soft surface.
- Attach the seat (G) to the right arm (I), fasten with bolts (AA) with washers (CC). Tighten half way using the Hex wrench (DD).



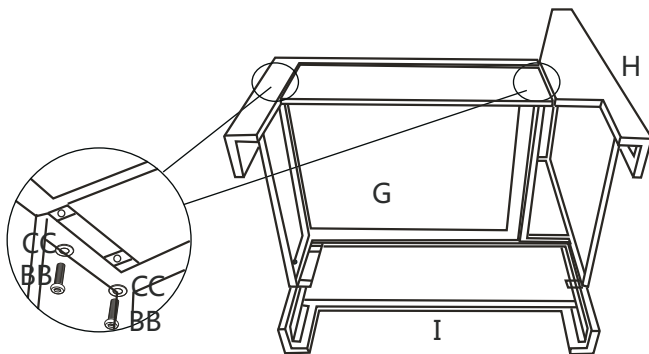
2 Attaching the back

- Put the back (H) metal side into the hole of arm (I).
- Attach right arm (I) to the back (H), fasten bolts (AA) and washer (CC). Tighten half way using the Hex wrench (DD). Insert two pins on the back (B) into the holes on arm (I), fasten bolts (BB) and washer (CC). Tighten half way using the Hex wrench (DD).



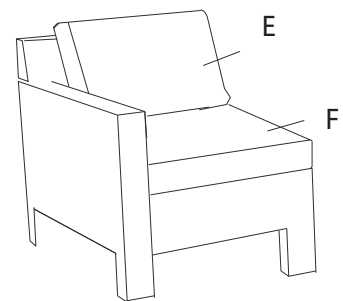
3 Adding the side skirt

- Attach the side skirt (D) to the seat (G) by aligning holes on the seat (A) with the holes on the side skirt (D) and inserting bolts (BB) with washers (CC). Tighten half way using the Hex wrench (DD). Do not tighten completely.



4 Completing the assembly

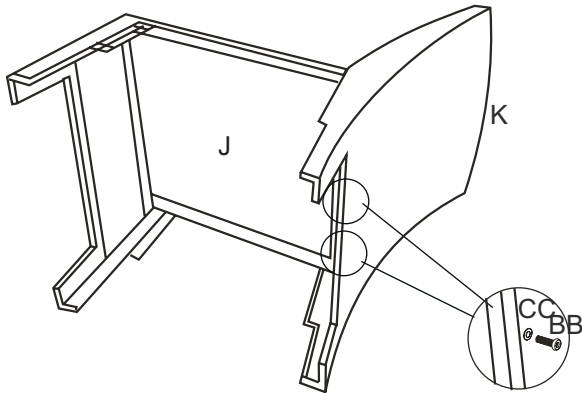
- Check and make adjustment as needed.
- Fully tighten all the bolts with the Hex wrench (DD).
- Place the seat cushion (F) and the back cushion (E) on the chair.
- This chair is now ready for your enjoyment.



Assembly(Middle)

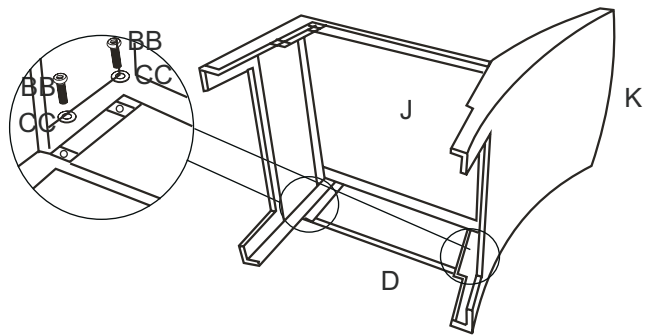
1 Attaching the back to the seat

- Place the back (K) on a soft surface.
- Attach the seat (J) to the back (K) by aligning holes on the back (K) with the holes on the seat (J) and inserting bolts (BB) with washers (CC). Tighten half way using the Hex wrench (DD). Do not tighten completely.



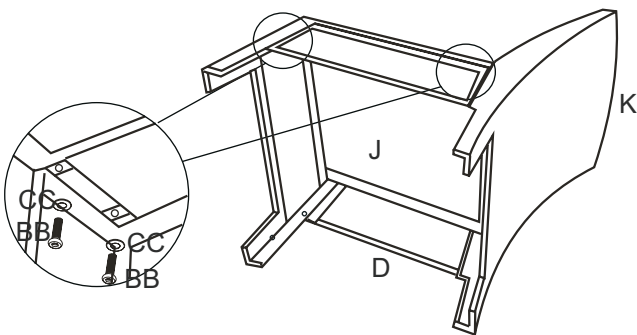
2 Attaching the one side skirt

- Attach the side skirt (D) to the seat (J) by aligning holes on the seat (J) with the holes on the side skirt (D) and inserting bolts (BB) with washers (CC). Tighten half way using the Hex wrench (DD). Do not tighten completely.



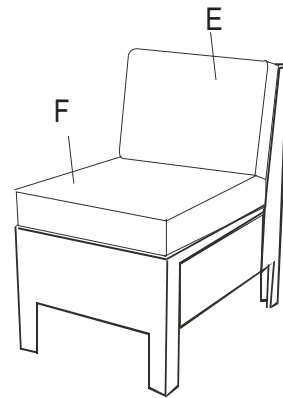
3 Attaching the other side skirt

- Repeat steps 2 to attach the other side (D)



4 Completing the assembly

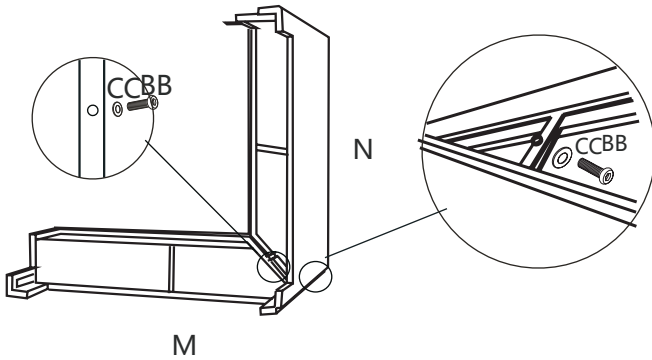
- Place the chair right side up.
- Check and make adjustment as needed.
- Fully tighten all the bolts (BB) with the Hex wrench (DD).
- Place the seat cushion (F) and back cushion(E) on the chair.
- This chair is now ready for your enjoyment.



Assembly(Corner)

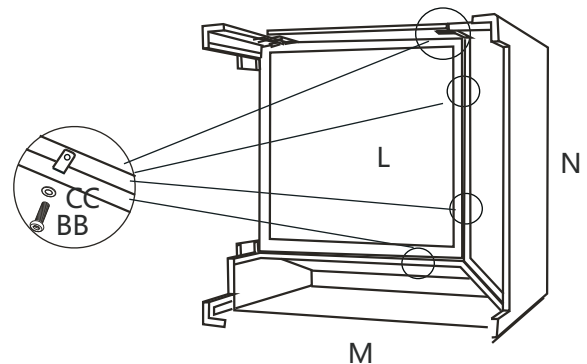
1 Attaching the back

- Place the right back (M) and the left back (N) on a soft surface.
- Attach the right back (M) to the left back(N) .Fasten the inside hole with bolt (BB) and washer (CC) .Then fasten outside hole with (BB) and (CC) .Tighten half way using the Hex wrench (DD).



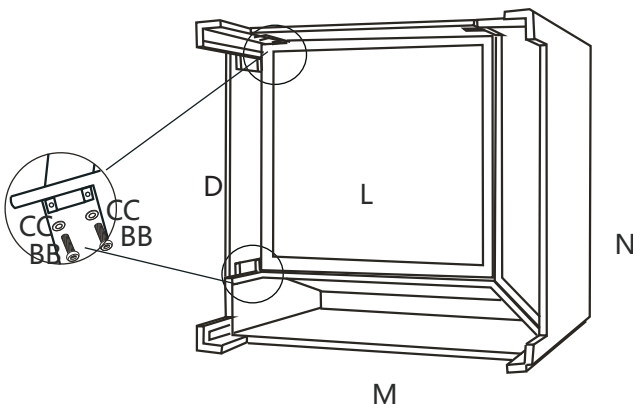
2 Attaching the seat

- Attach the seat (L) to the backs by aligning three holes on the seat (L) to the two holes on the right back (M) and one hole on the left back (N) and inserting bolts (BB) with washers (CC) and tighten half way using the Hex wrench (DD). Do not tighten completely.



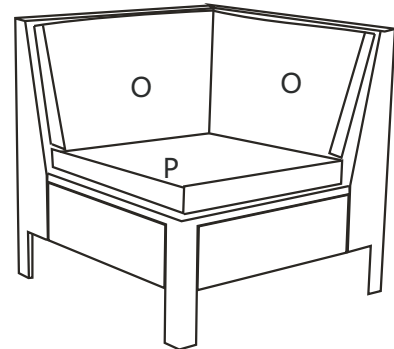
3 Attaching the side skirt

- Attach the side skirt (D) to the seat (L) by aligning holes on the seat (L) with the holes on the side skirt (D) and inserting bolts (BB) with washers (CC). Tighten half way using the Hex wrench (DD). Do not tighten completely.



4 Completing the assembly

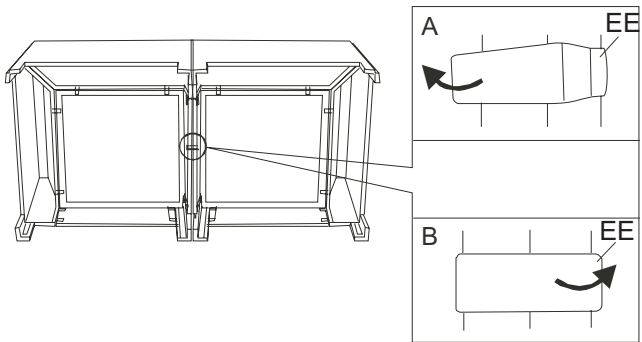
- Place the chair right side up.
- Check and make adjustments as needed.
- Fully tighten all the bolts (AA) with the Hex wrench (DD).
- Place the seat cushion (P) and back cushions (O) on the chair .
- This chair is now ready for your enjoyment.



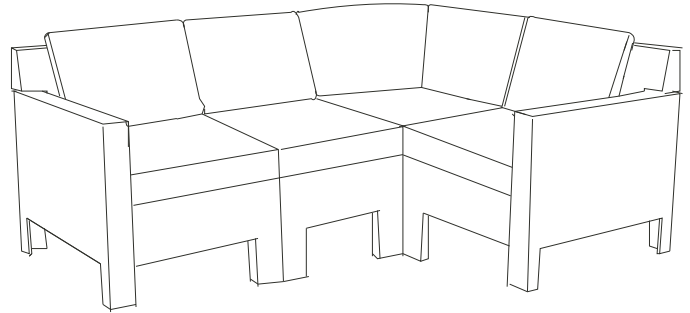
Assembly(U shape connector)

1

- As photo(A) s hown, place one side of the clip to sectional base first.
- As photo (B) shown, press a nother side of the clip to sectional base.



2



Care and Cleaning

- Before using, wipe with a clean, dry cloth. Do not use bleach or solvents. When not in use, store furniture in a cool, dry place.
- If your set includes cushions or mesh fabric, they may be cleaned by hand with a mild solution of soap and water. Rinse cushion thoroughly and allow to drip dry. Do not machine wash or tumble dry, as cushions may shrink.
- Do not use bleach or solvents on fabrics. When cleaning the table top make sure to use a soft, clean cloth that does not bleed color as well.



Questions, problems, missing parts? Before returning to the store,
call Home Depot Customer Service
8 a.m. - 6 p.m., EST, Monday-Friday

1-855-HD-HAMPTON

HAMPTONBAY.COM

Retain this manual for future use.