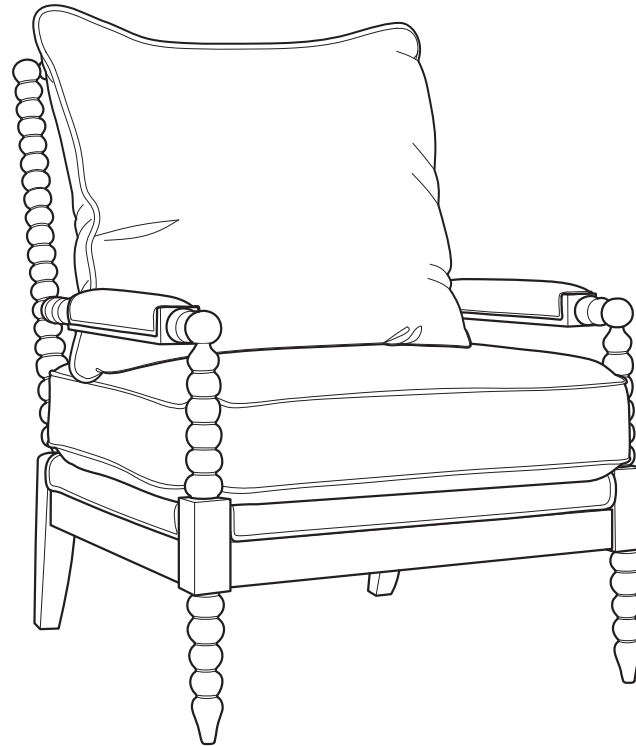




LIFESTYLE
S O L U T I O N S

LONDON CHAIR

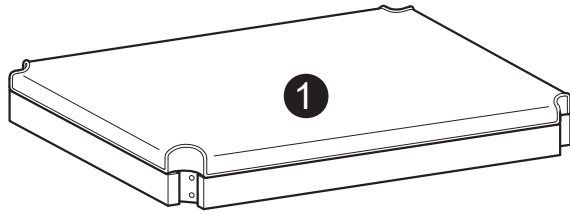
ASSEMBLY INSTRUCTIONS



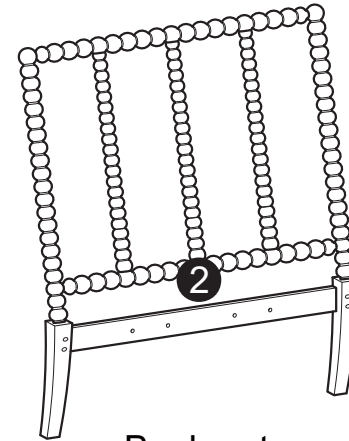
WARNING

- This product has been designed for seating one (1) average adult. To prevent injury and damage to this unit, PROHIBIT jumping on it.
- This product is designed for home use and not intended for commercial use.
- Recommended # of people needed for handling: 2 (however it is always better to have an extra hand.)
- THIS INSTRUCTION BOOKLET CONTAINS **IMPORTANT** SAFETY INFORMATION. PLEASE READ AND KEEP FOR FUTURE REFERENCE.

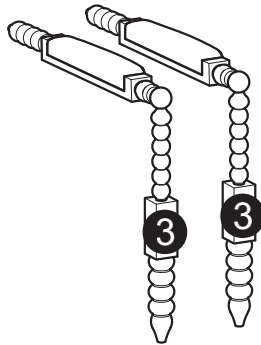
PARTS



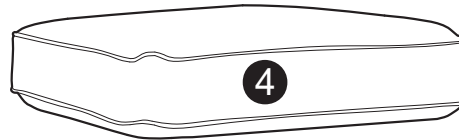
Seat Body
QTY:1



Backrest
QTY:1



Pair of Arms
QTY:2



Seat Cushion
QTY:1



Backrest Cushion
QTY:1

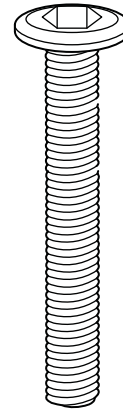
HARDWARE



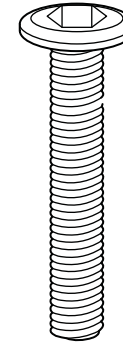
A
Hex Key
M5
QTY : 1 PC



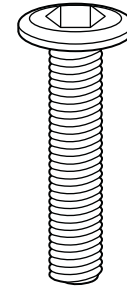
B
Hex Key
M4
QTY : 1 PC



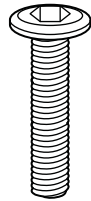
C
Bolt
5/16" x 3-1/4"
QTY : 4 PCS



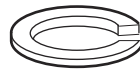
D
Bolt
5/16" x 2-1/4"
QTY : 4 PCS



E
Bolt
5/16" x 1-3/4"
QTY : 2 PCS



F
Bolt
1/4" x 1-3/4"
QTY : 2 PCS



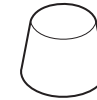
G
Spring Washer
5/16"
QTY : 10 PCS



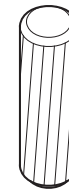
H
Spring Washer
1/4"
QTY : 2 PCS



I
Washer
5/16"
QTY : 10 PCS

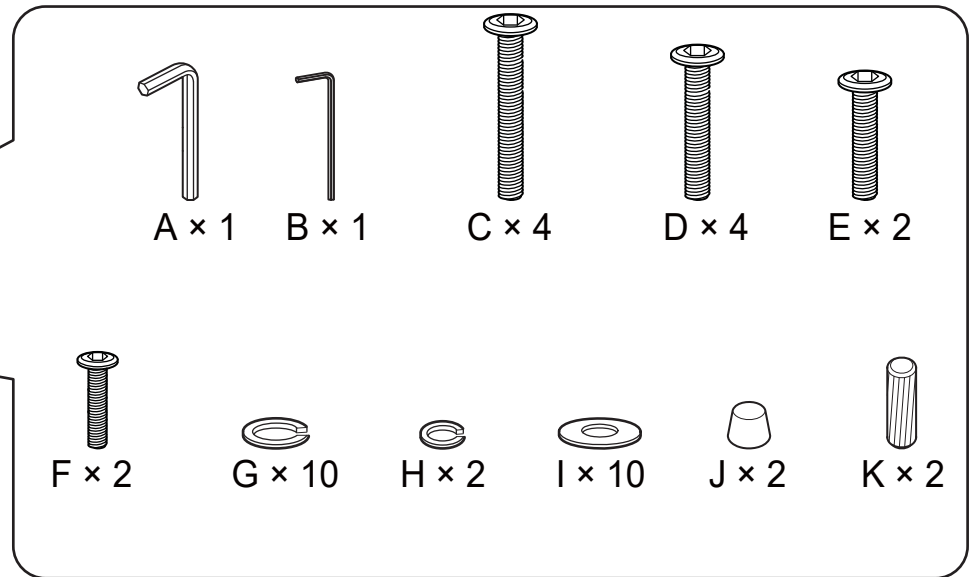
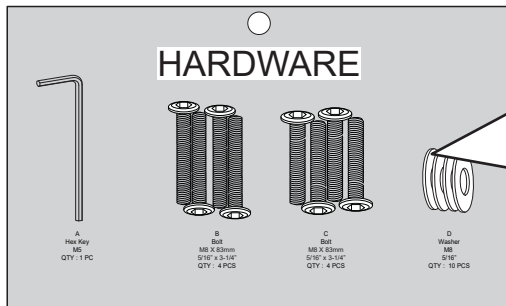
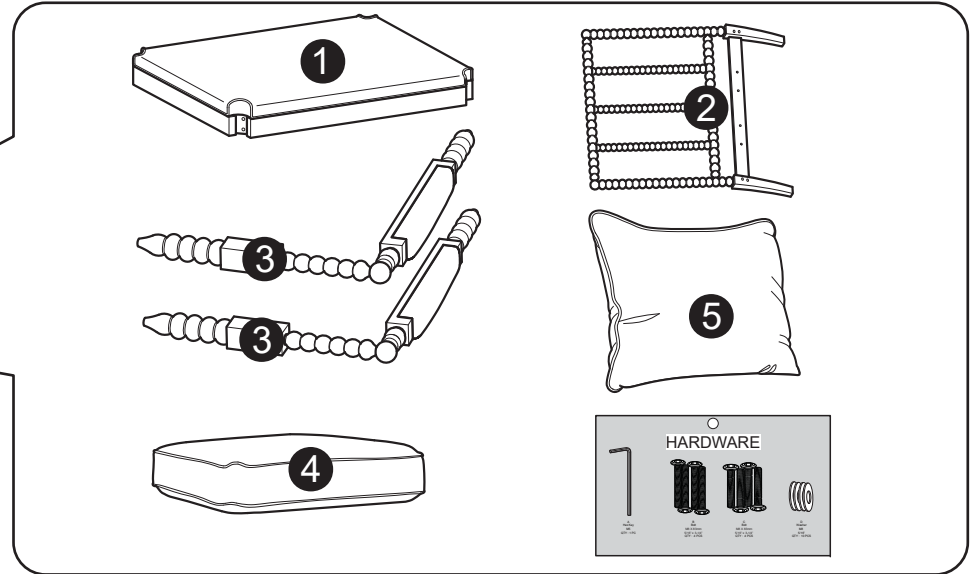
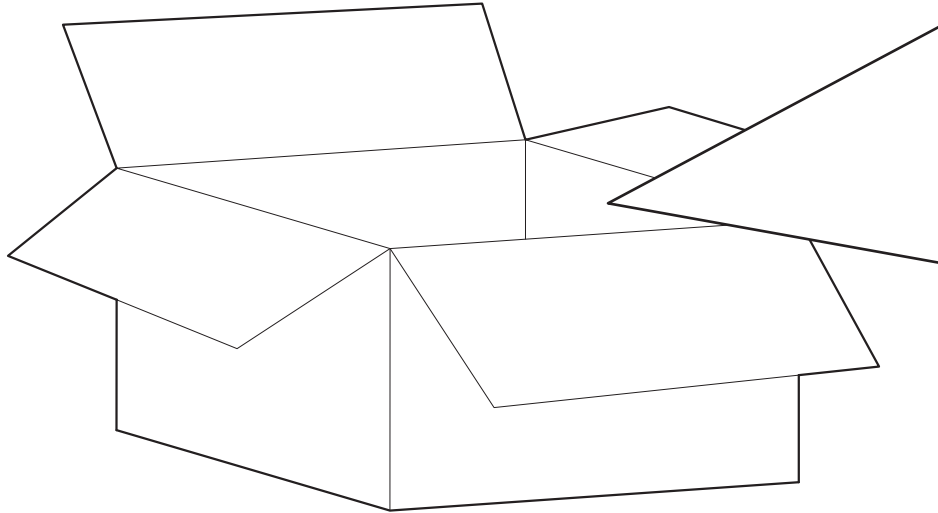


J
Cap
QTY : 2 PCS

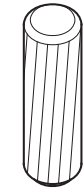
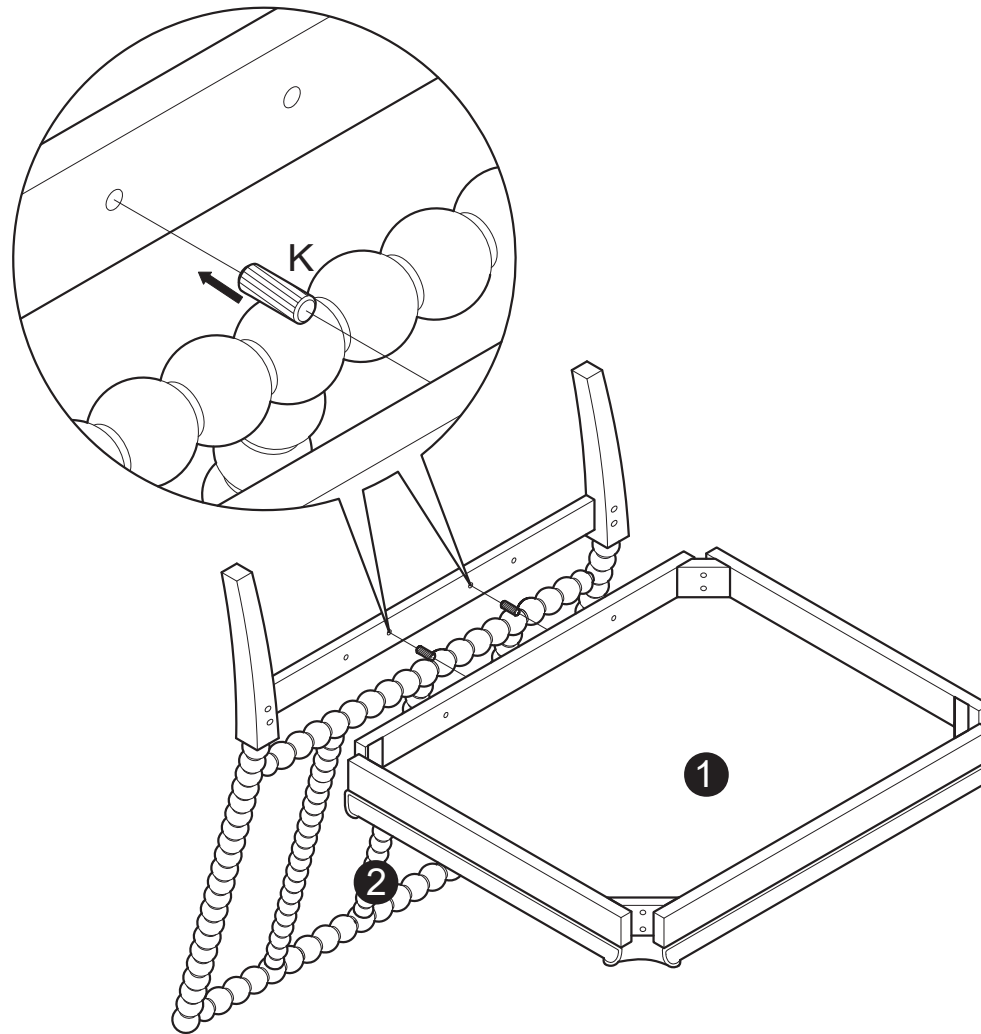


K
Dowel
QTY : 2 PCS

Step 1 :

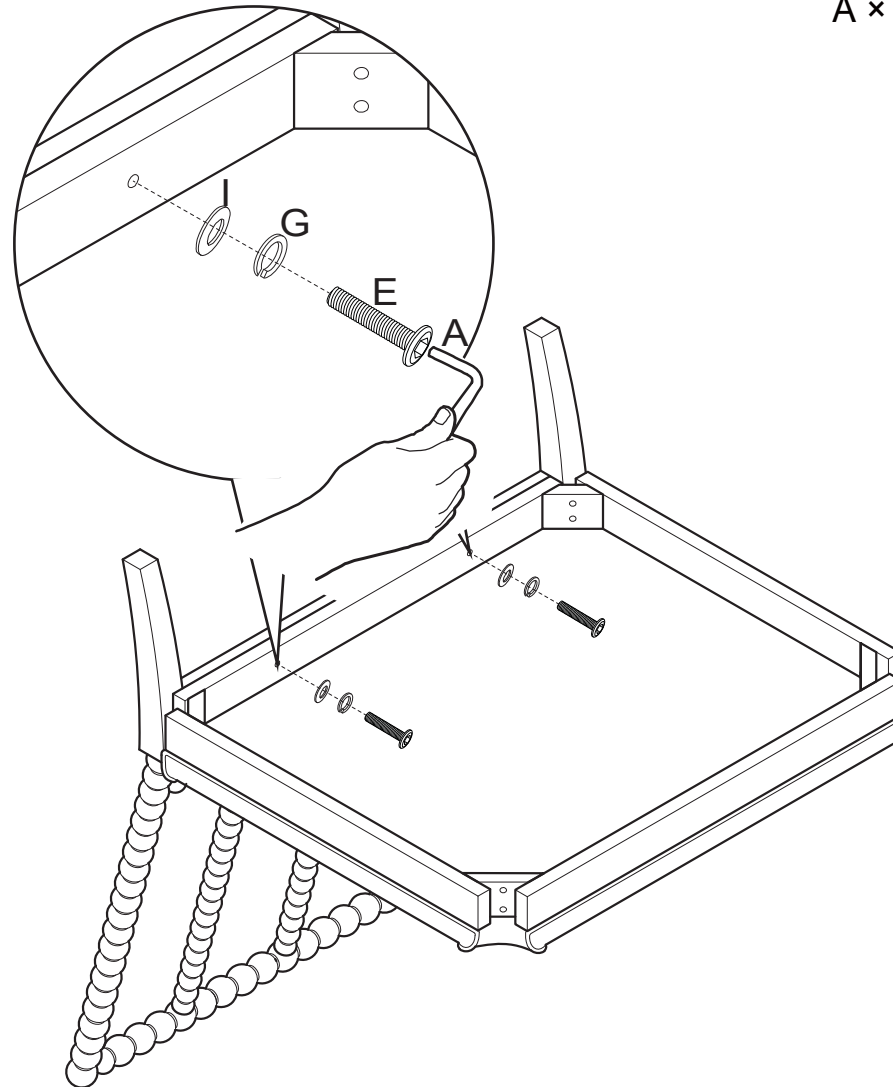
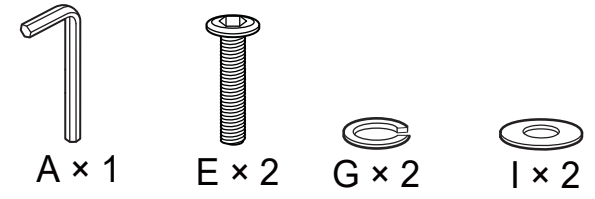


Step 2 :

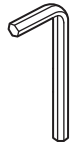


K × 2

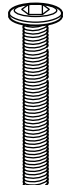
Step 3 :



Step 4 :



A × 1



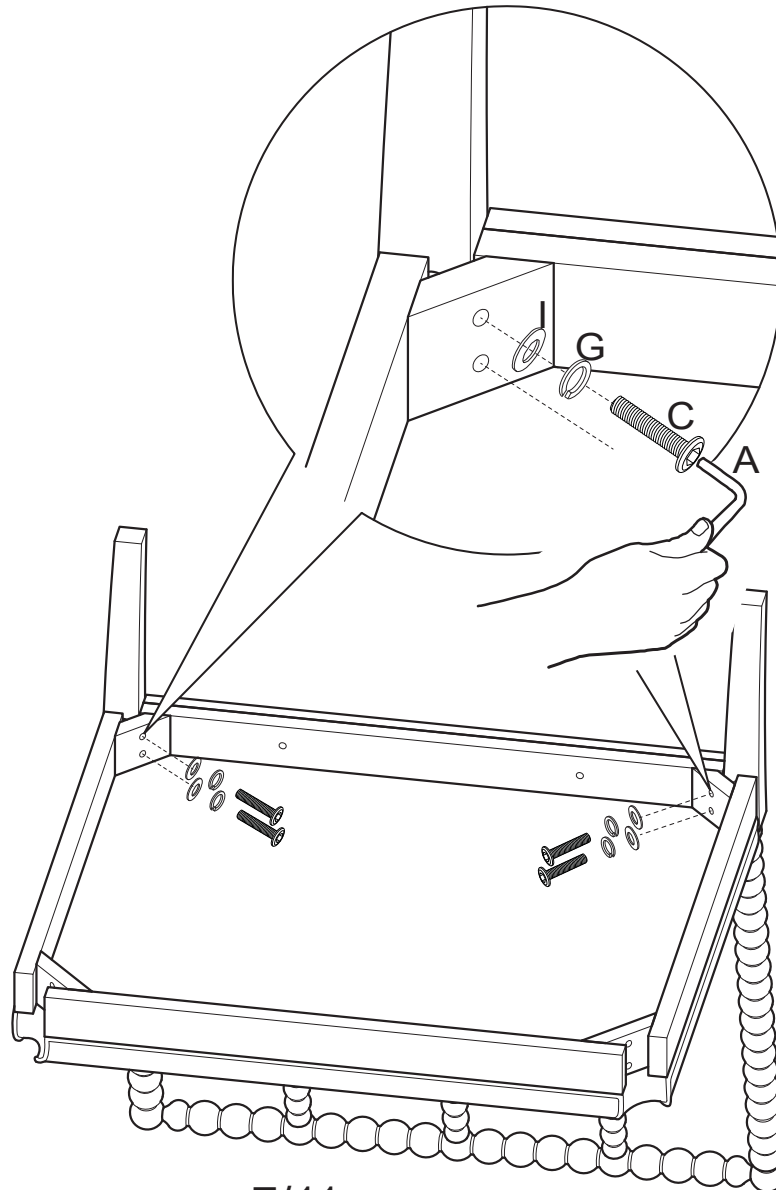
C × 4



G × 4



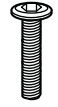
I × 4



Step 5 :



B × 1



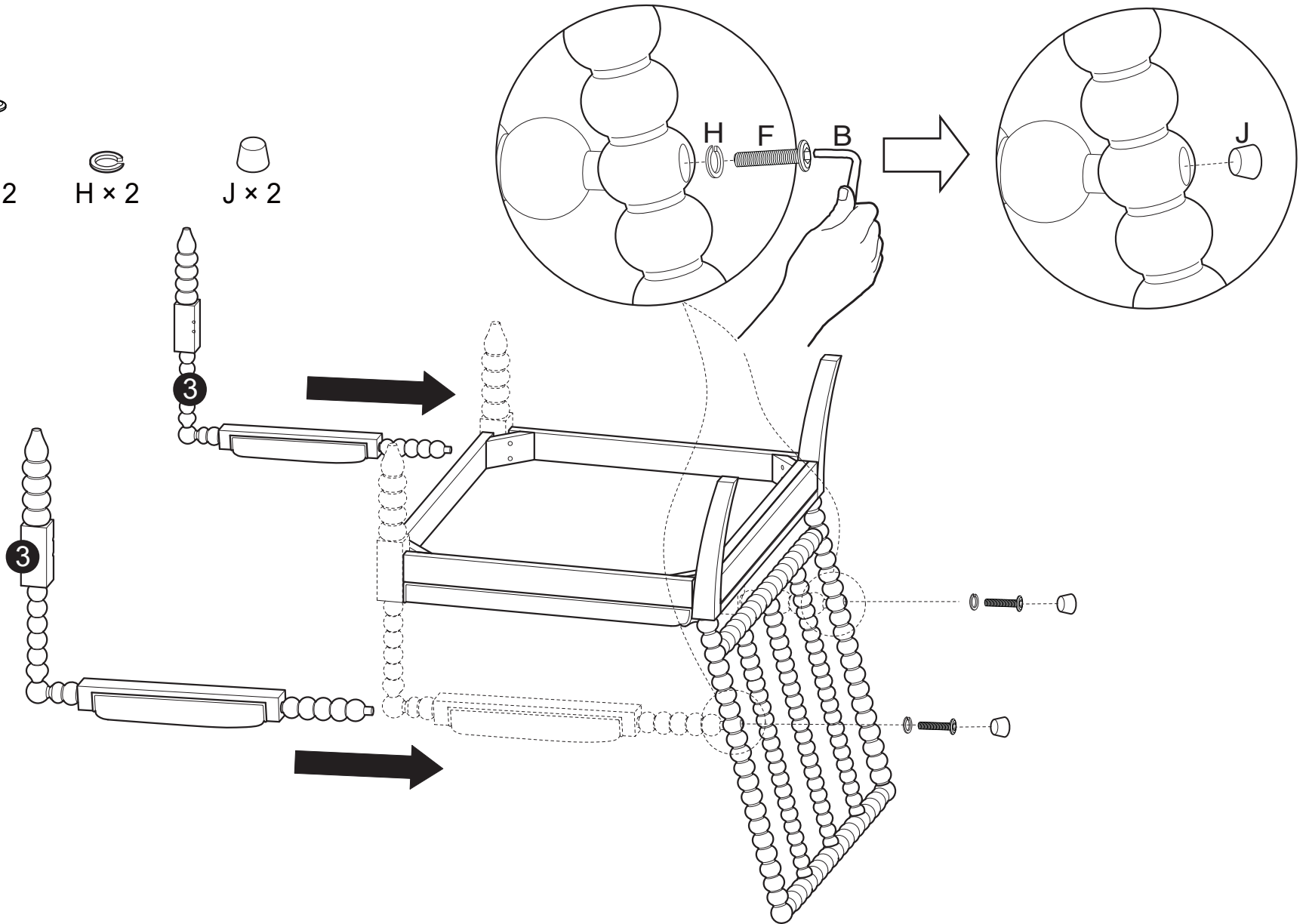
F × 2



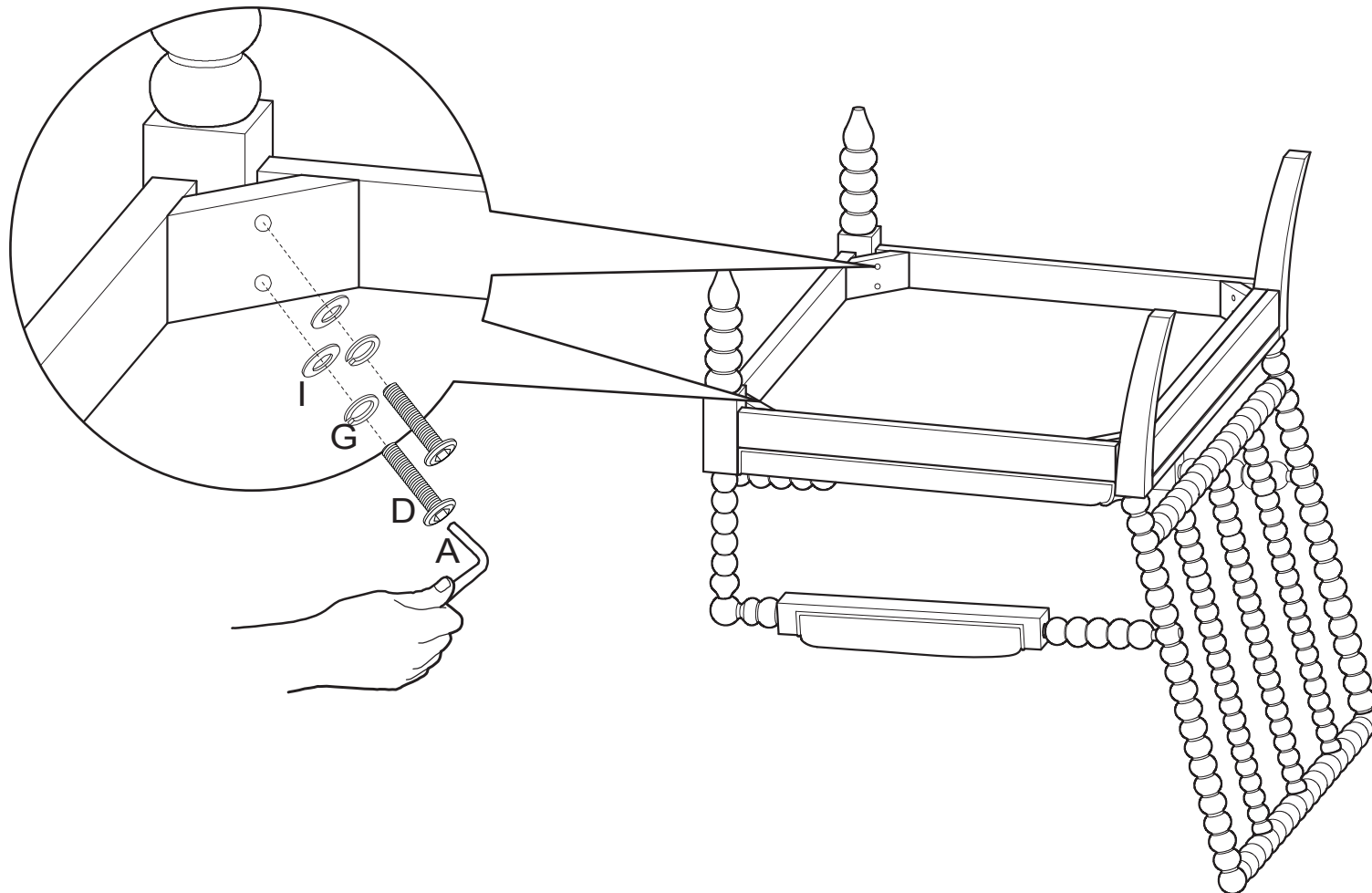
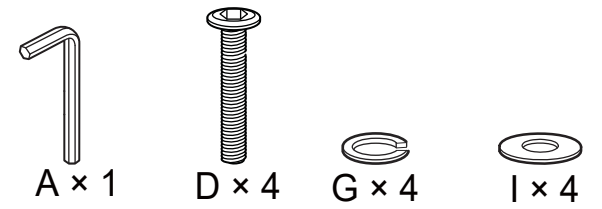
H × 2



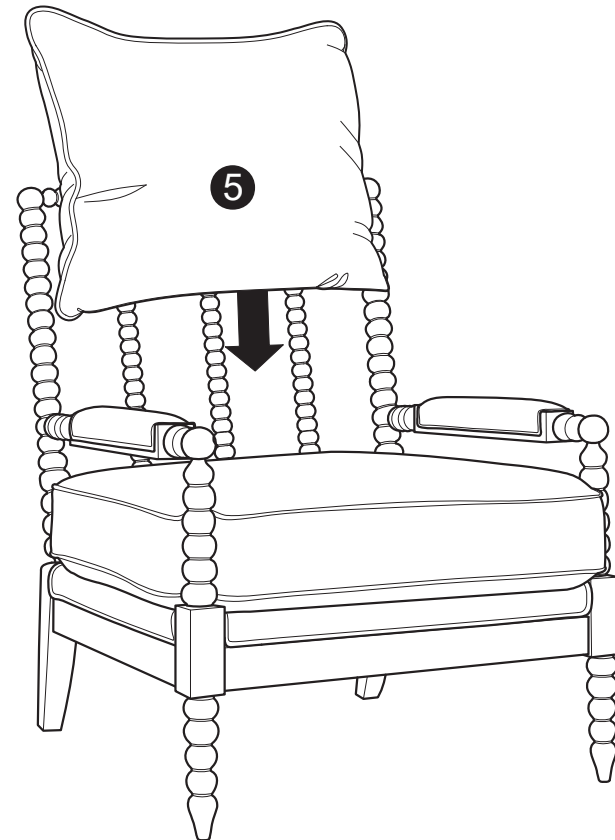
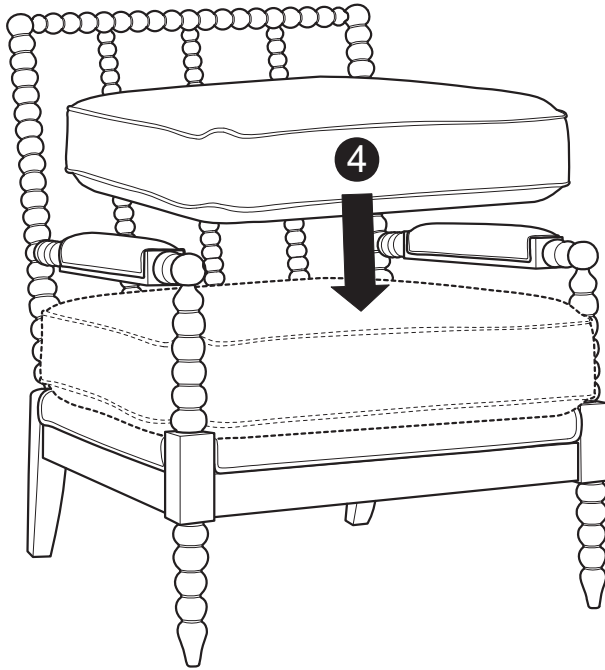
J × 2



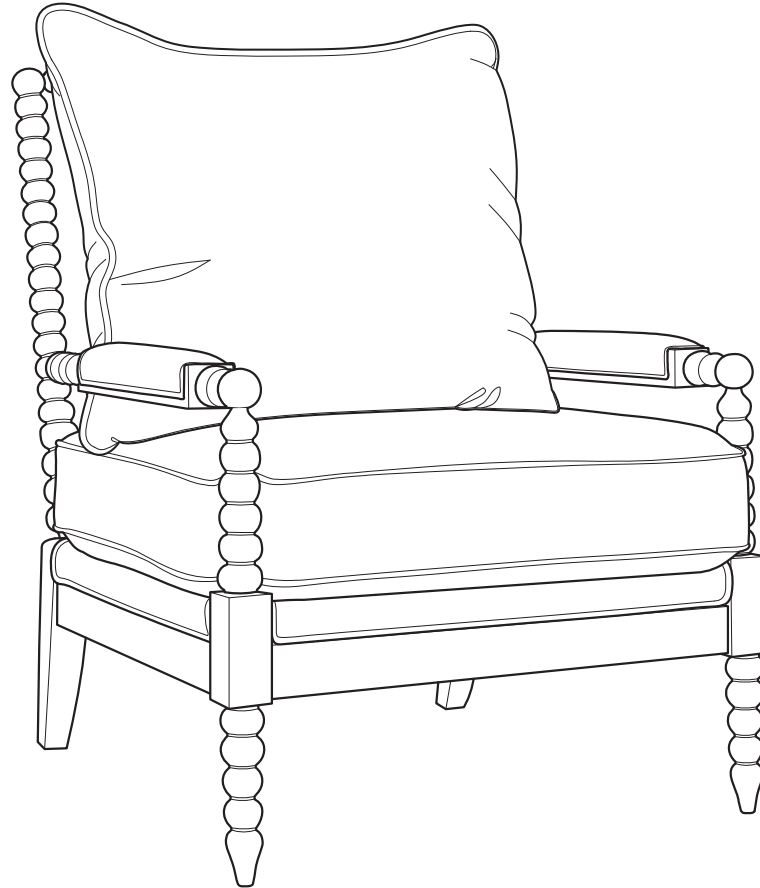
Step 6 :



Step 7 :



INSTALLATION COMPLETE :



Need assistance?

Please call :

866-626-7826

For prompt, reliable service; please have your assembly manual ready.