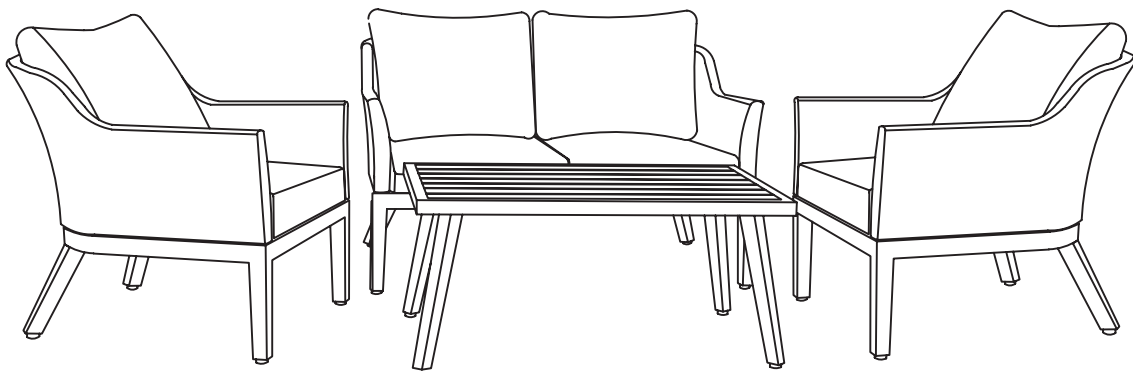


# CROWN VIEW 4 PIECE CHAT SET

Model # B16-LCQ-0043-4D

## USE AND CARE GUIDE



Questions, problems, missing parts? Before returning to the store call  
Customer Service 8.00am. - 6.00pm., EST, Monday - Friday

**1-866-632-1718**  
**[www.partsnservice.com](http://www.partsnservice.com)**

---

***THANK YOU!***

# Table of Contents

---

Table of Contents .....	2	Pre-Assembly .....	3
Safety Information .....	2	Planning Assembly .....	3-5
Warranty .....	2	Hardware Included .....	3-5
Warranty .....	2	Package Contents .....	6-8
What is Covered .....	2	Assembly .....	9-13
What is Not Covered .....	2	Care and Cleaning .....	14

## Safety Information

---



**DANGER:** Please keep children out of assembly area during assembly.



**WARNING:** Do not stand or put heavy things on furniture.



**CAUTION:** Use furniture on the ground only.



**IMPORTANT:** Please check the tightness of the bolts every 90 days.



**NOTE:** Sharp things will cause damage of furniture.

## Warranty

---

### ONE YEAR LIMITED WARRANTY

#### WHAT IS COVERED

We warrant the frame to be free of manufacturing defects to the original purchaser for **one year**.

#### WHAT IS NOT COVERED

It remains the customer's responsibility for freight and packaging charges to and from our service center. This warranty does not cover commercial use, hardware, acts of nature, fire, freezing and abusive use. In addition, purchased parts are not covered under this warranty. We reserve the right to make substitutions with similar merchandise, if the model in question is no longer in production.

# Pre-Assembly (Lounge Chair)

---

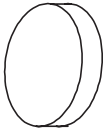
## PLANNING ASSEMBLY

It will take 2 people about 20 minutes to complete the assembly process of the 2 Crown View Lounge Chairs.

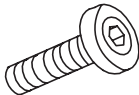
## HARDWARE INCLUDED



NOTE: Hardware not shown to actual size.



\_\_\_\_ **AA1**



\_\_\_\_ **BB1**



\_\_\_\_ **CC1**



\_\_\_\_ **DD1**

Part	Description	Quantity
AA1	PVC Bolt Cover	24
BB1	Bolt M6X20	24
CC1	Steel Washer	24
DD1	Wrench	1

# Pre-Assembly (Love Seat)

---

## PLANNING ASSEMBLY

It will take 2 people about 20 minutes to complete the assembly process of the Crown View Love Seat.

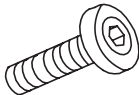
## HARDWARE INCLUDED



NOTE: Hardware not shown to actual size.



AA2



BB2



CC2



DD2

Part	Description	Quantity
AA2	PVC Bolt Cover	12
BB2	Bolt M6X20	12
CC2	Steel Washer	12
DD2	Wrench	1

# Pre-Assembly (Coffee Table)

---

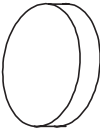
## PLANNING ASSEMBLY

It will take 1 person about 10 minutes to complete the assembly process of the 1 Crown View Coffee Table.

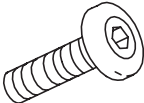
## HARDWARE INCLUDED



NOTE: Hardware not shown to actual size.



AA3



BB3



CC3



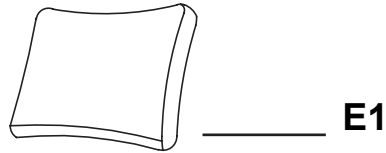
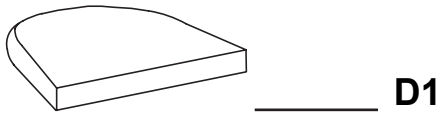
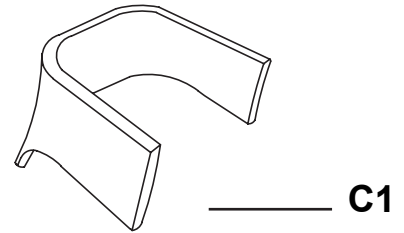
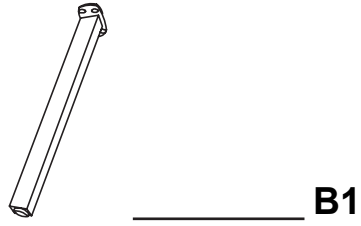
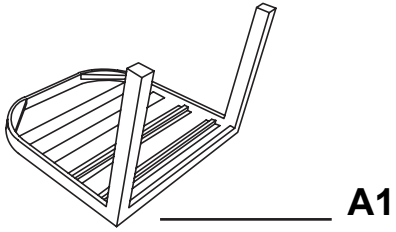
DD3

Part	Description	Quantity
AA3	PVC Bolt Cover	16
BB3	Bolt M6X20	16
CC3	Steel Washer	16
DD3	Wrench	1

# Pre-Assembly (Lounge Chair Continued)

---

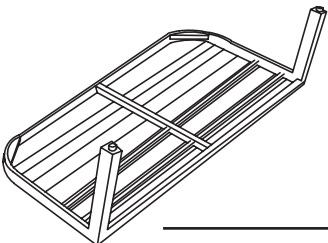
## PACKAGE CONTENTS



Part	Description	Quantity
A1	Seat Frame	2
B1	Chair Back Leg	4
C1	Chair Back	2
D1	Seat Cushion	2
E1	Back Cushion	2

# Pre-Assembly (Love Seat Continued)

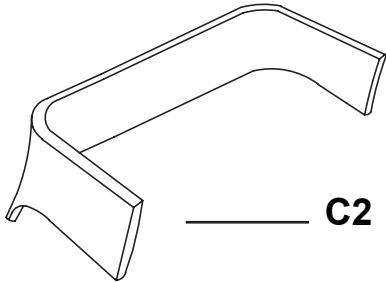
**PACKAGE CONTENTS**



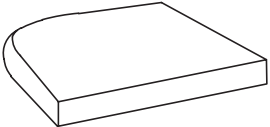
**A2**



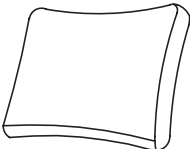
**B2**



**C2**



**D2**



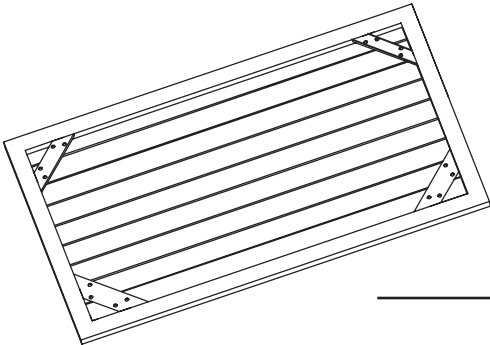
**E2**

Part	Description	Quantity
A2	Seat Frame	1
B2	Chair Back Leg	2
C2	Chair Back	1
D2	Seat Cushion	2
E2	Back Cushion	2

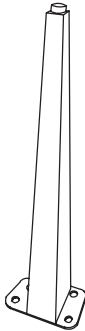
# Pre-Assembly (Coffee Table Continued)

---

## PACKAGE CONTENTS



**A3**




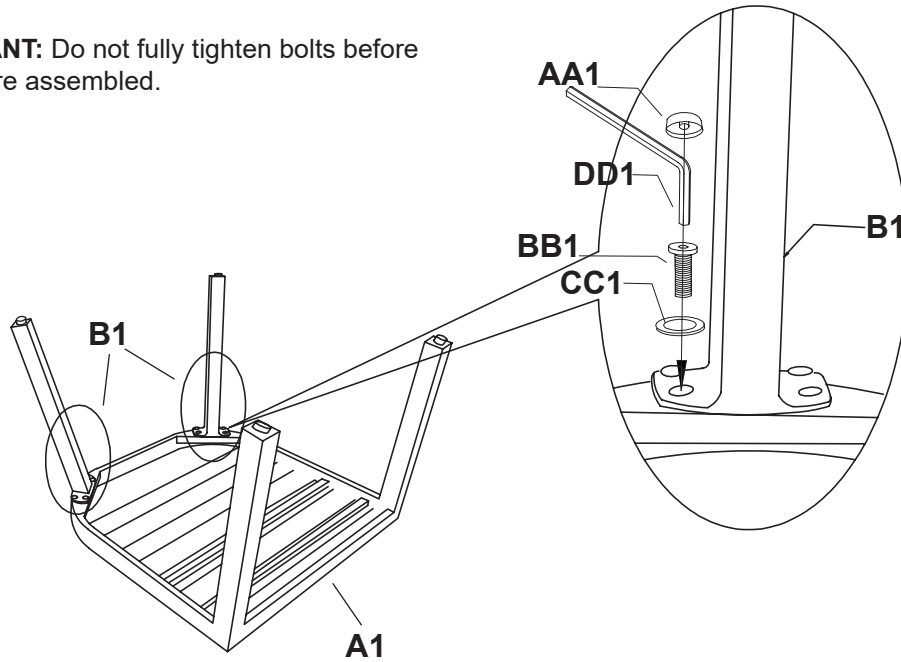
**B3**

<b>Part</b>	<b>Description</b>	<b>Quantity</b>
<b>A3</b>	<b>Table Top</b>	<b>1</b>
<b>B3</b>	<b>Table Legs</b>	<b>4</b>

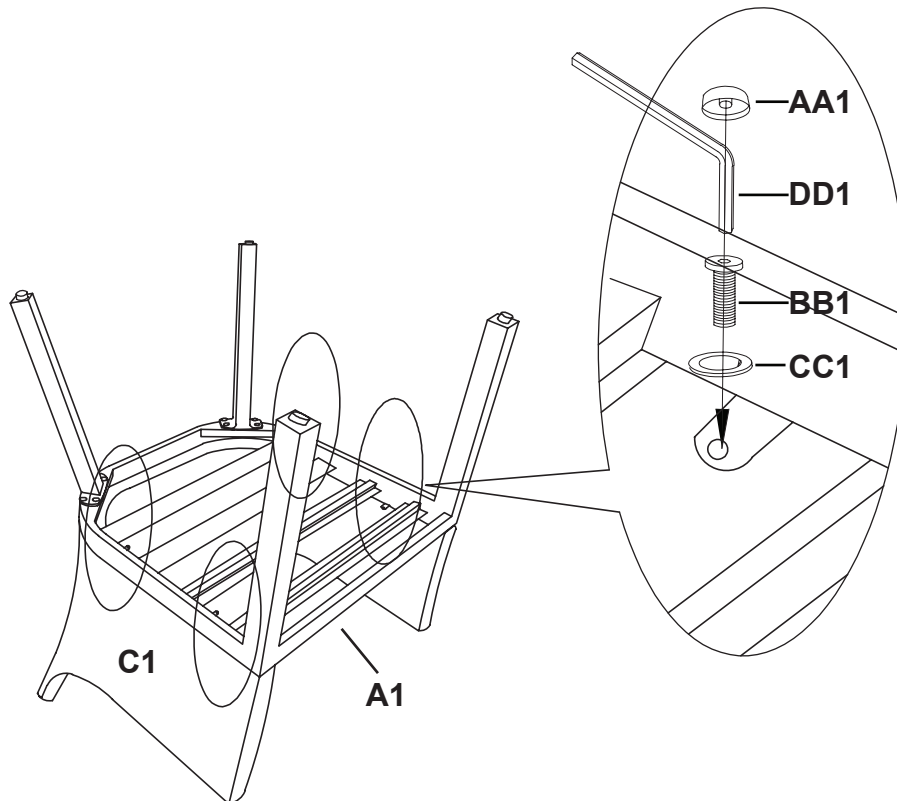


# Assembly (Lounge Chair)

**1**  **IMPORTANT:** Do not fully tighten bolts before all bolts are assembled.



**2**



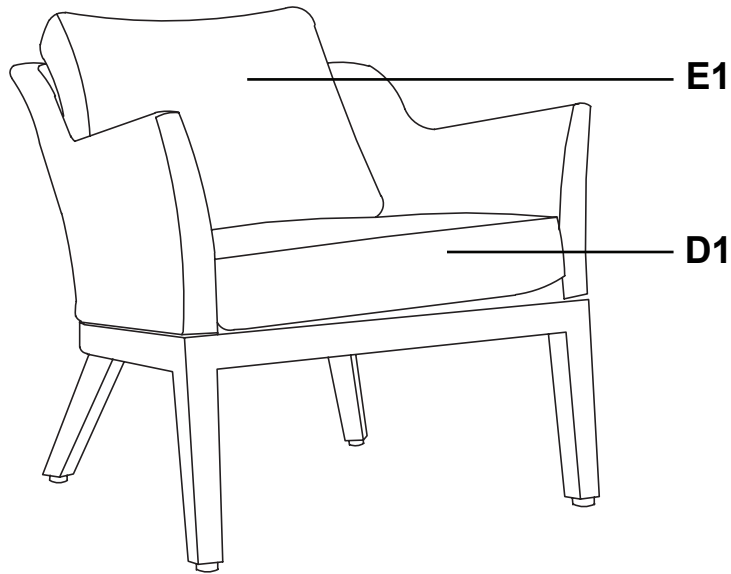
# Assembly (Lounge Chair Continued)

---


3

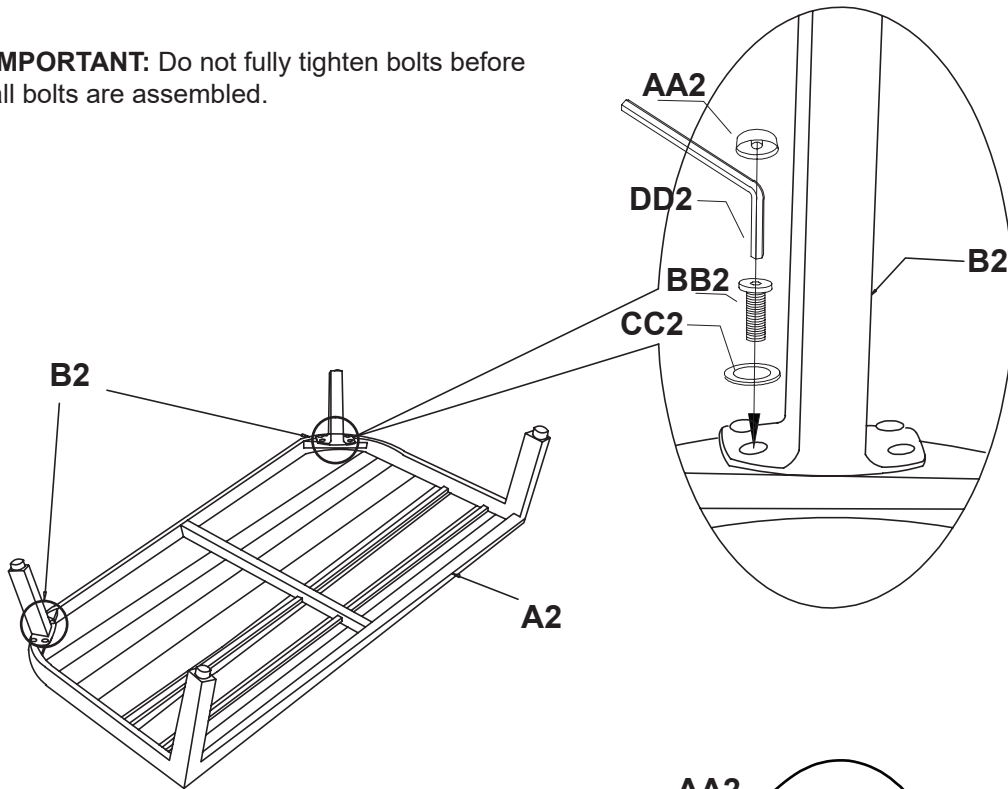


**REMINDER:** Fully tighten all hardware before beginning **Step 3**

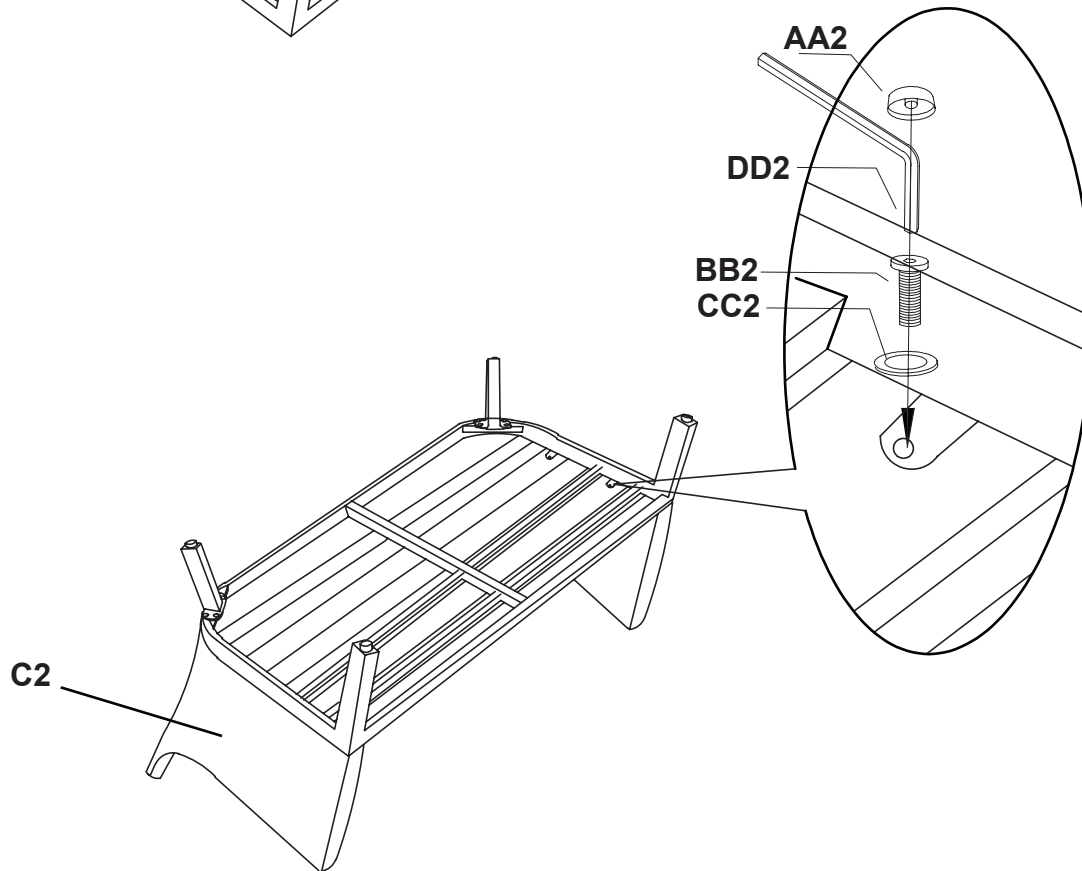


# Assembly (Love Seat)

- 1**  **IMPORTANT:** Do not fully tighten bolts before all bolts are assembled.



**2**



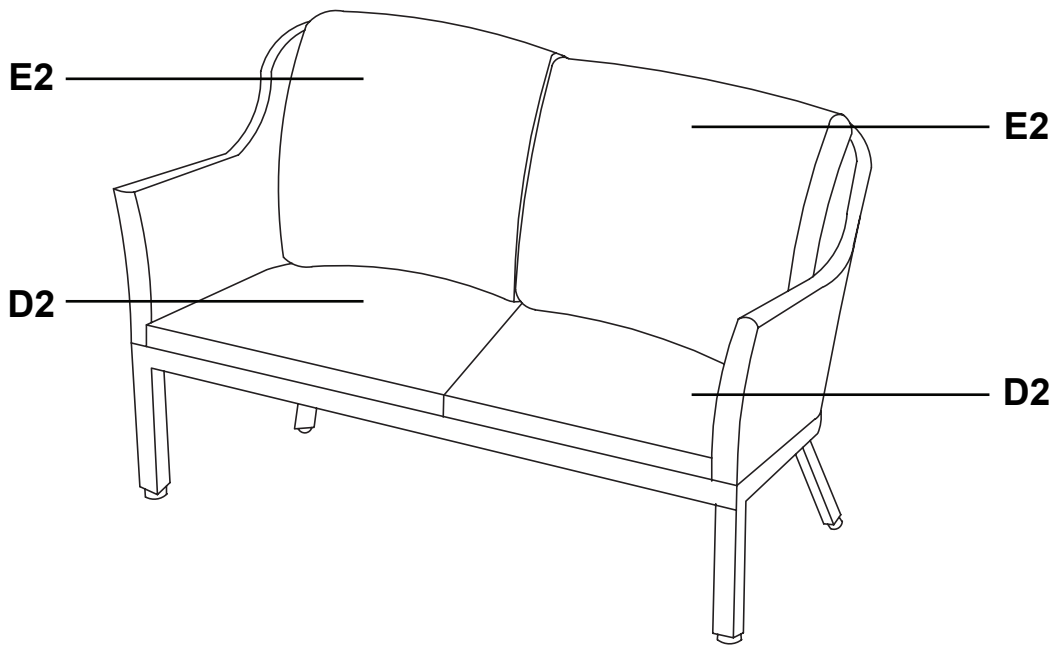
# Assembly (Love Seat Continued)

---


3

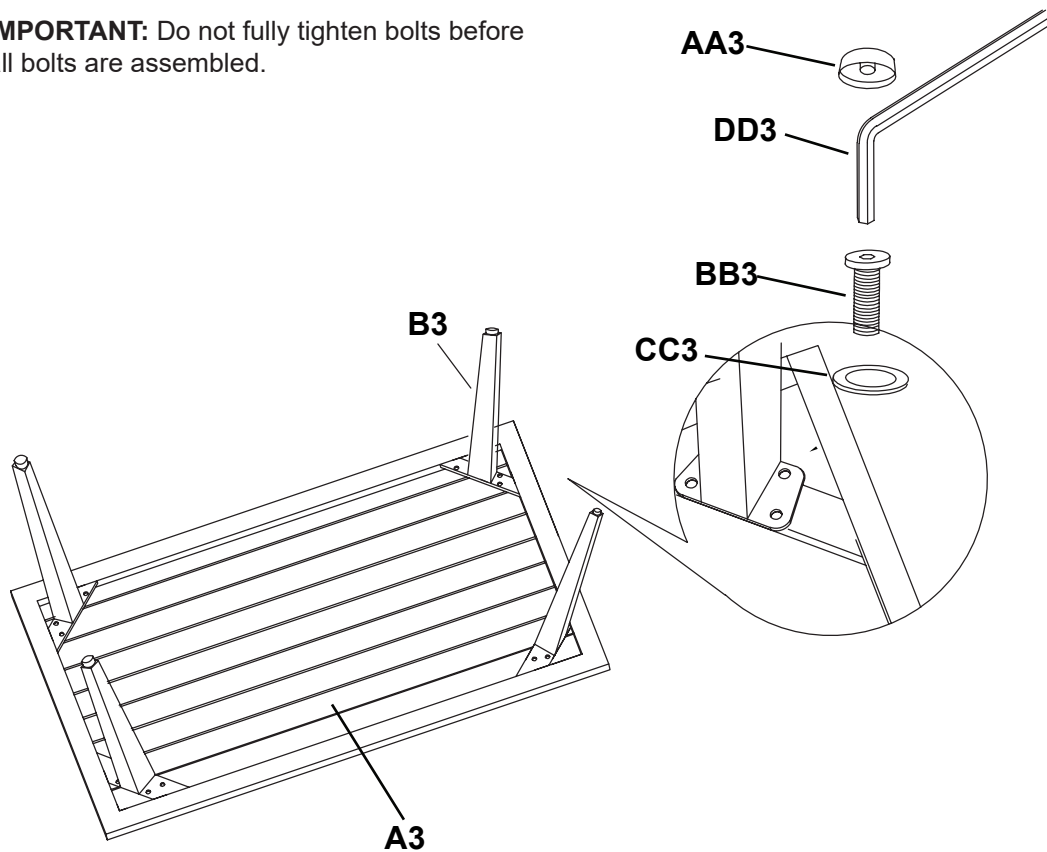


**REMINDER:** Fully tighten all hardware before beginning **Step 3**

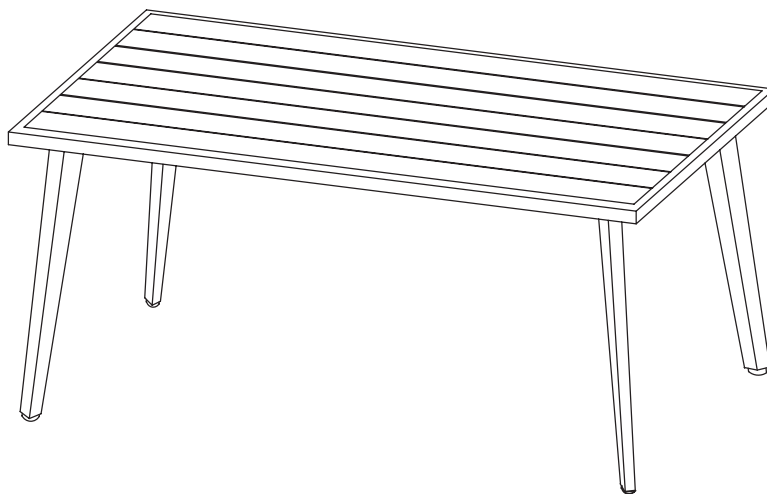


# Assembly (Coffee Table)

- 1**  **IMPORTANT:** Do not fully tighten bolts before all bolts are assembled.



- 2**  **REMINDER:** Fully tighten all hardware before beginning **Step 2**



# Care and Cleaning

---

Before using, wipe with a clean dry cloth. Please be aware that sharp objects will cause damage to furniture. When not in use, store the furniture in a cool dry place.

Contact the Customer Service at 1-866-632-1718 or visit [www.partsnservice.com](http://www.partsnservice.com) for further information.