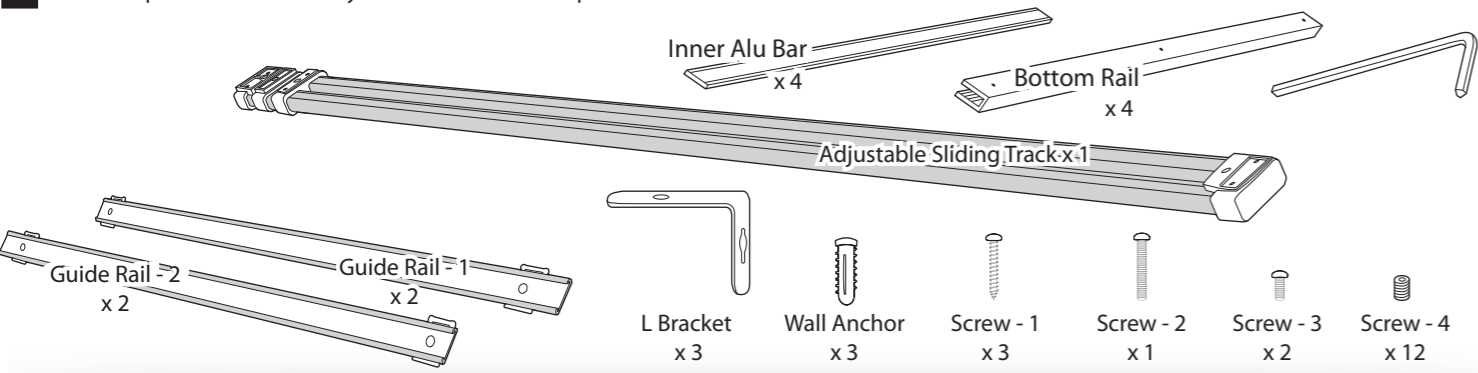


INSTRUCTION

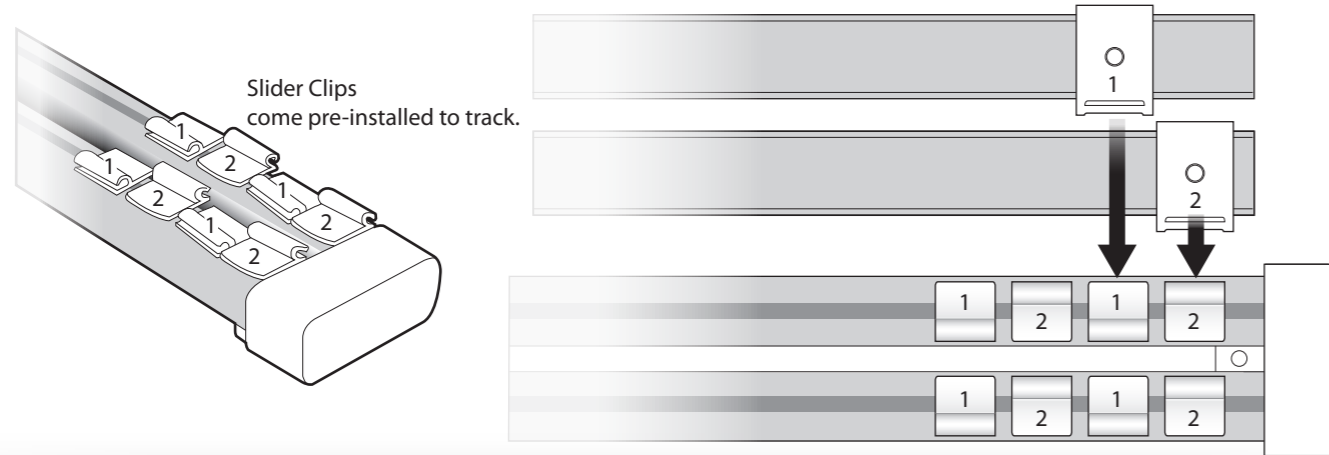
Double Rail Sliding Panel System



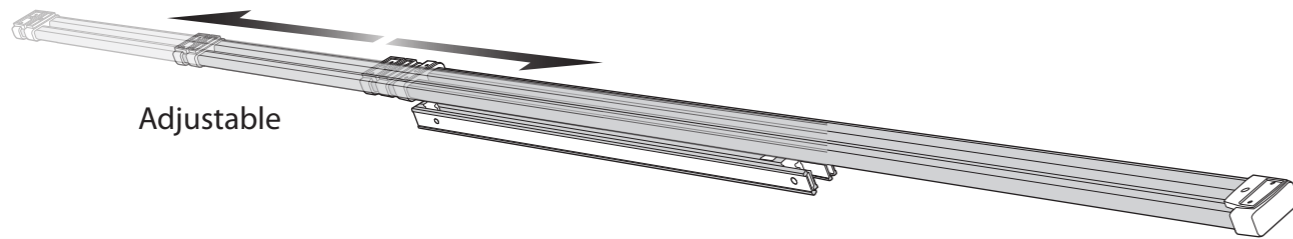
1 Check all pieces to make sure you have received complete set



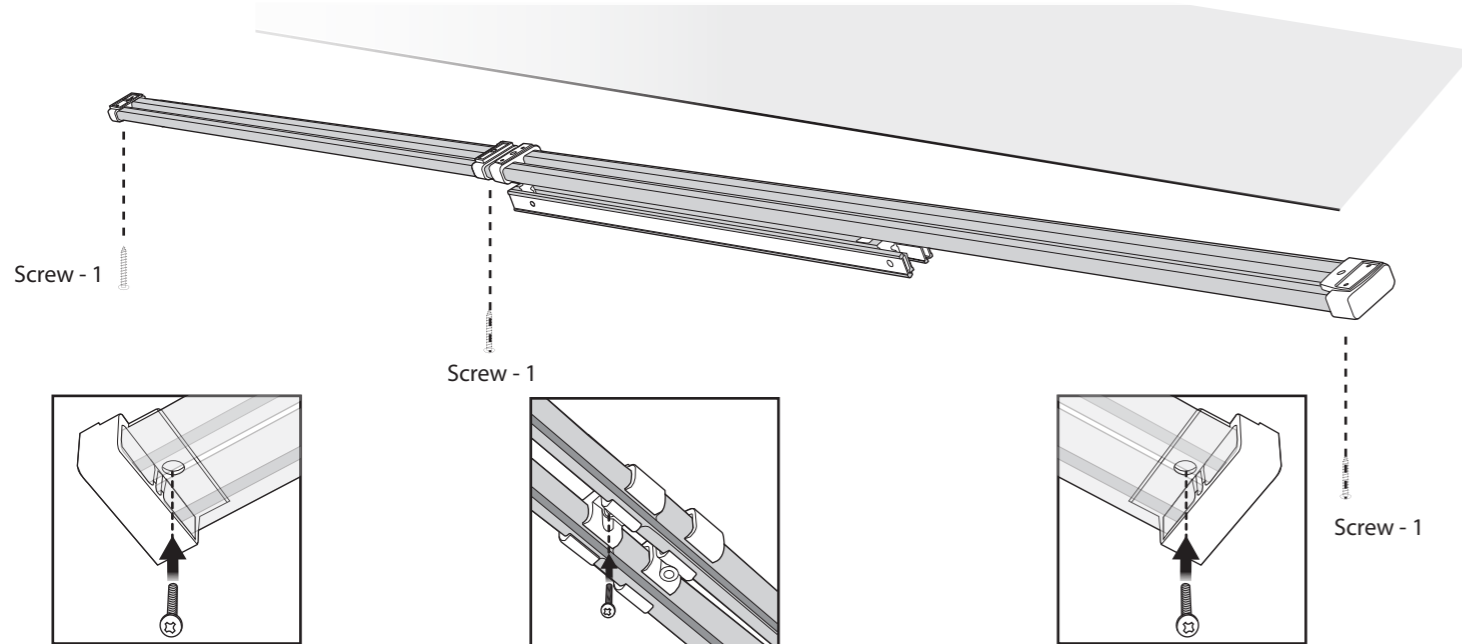
2 Snap the guide rails into the slider clips (8 slider clips are already installed in track)
*Make sure the Velcro side on head-rail is facing you, and follow the correct number sequence.



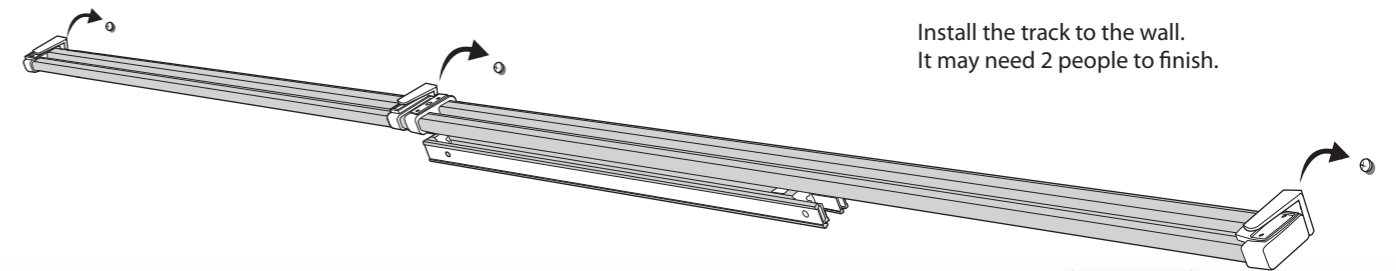
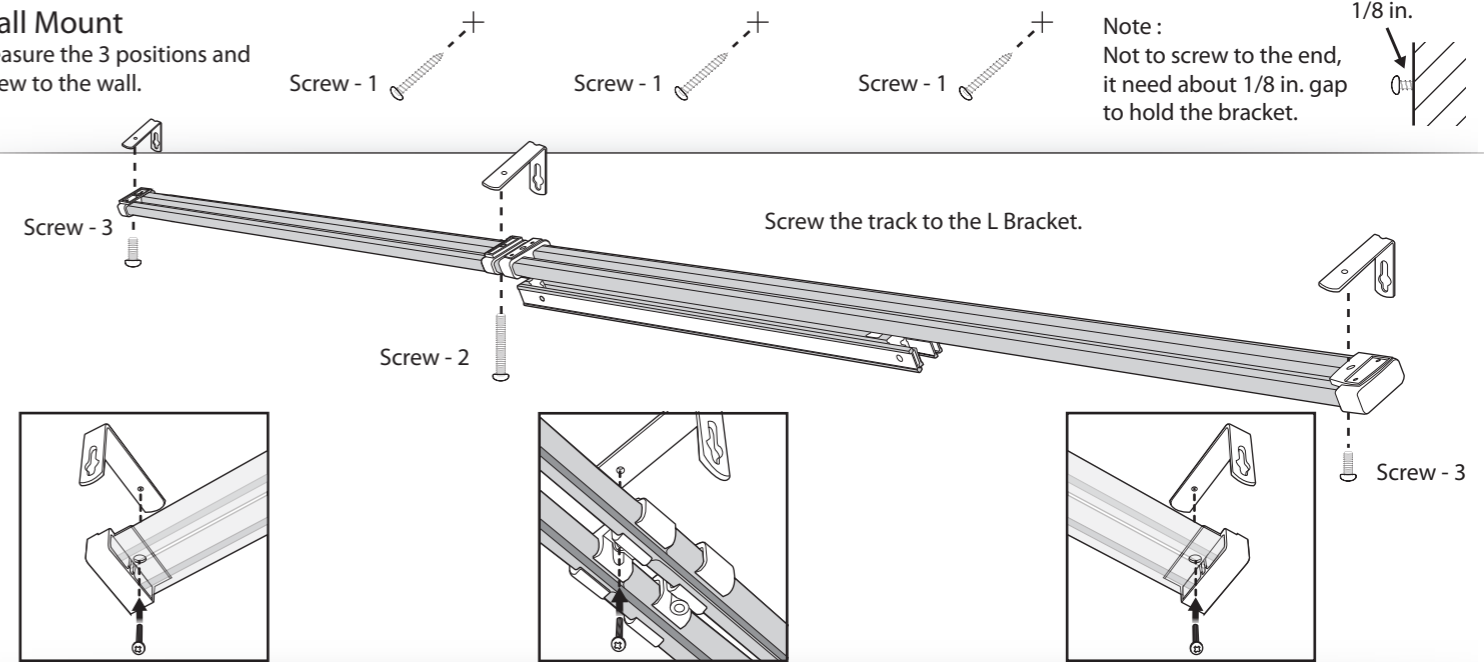
3 Adjust the panel track to the width needed. Be careful not to over extend the track and cause it to separate completely.



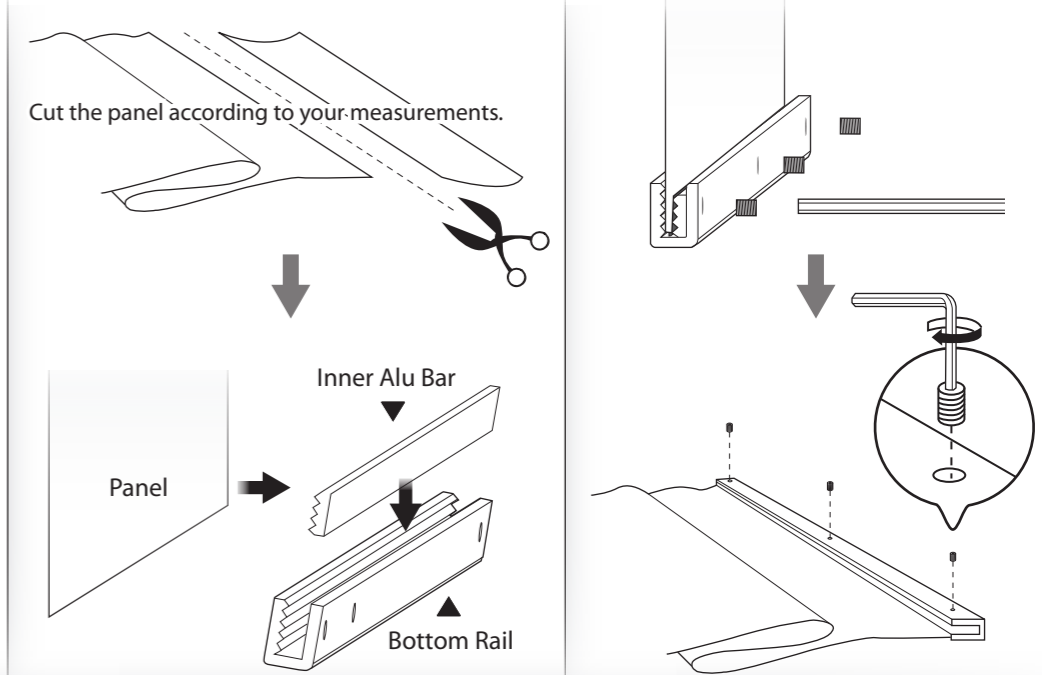
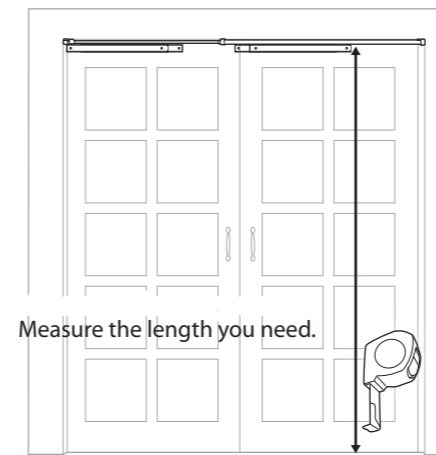
4 Mount the brackets and screw the track onto the ceiling.
Ceiling Mount



Wall Mount
Measure the 3 positions and screw to the wall.



5 Measure the length needed for the panels. If needed, you may adjust the length of your panels to fit your desired length. Cut the panel /panels according to your measurements. Then take your metal strip and place at fresh cut for that clean look.



6 Attach the panel pieces to the guide rails.

