



# LRG3061\*

## QUICK INSTALL & CLEARANCES

For full installation directions/clearances please refer to the corresponding User Manual and Installation Guide.

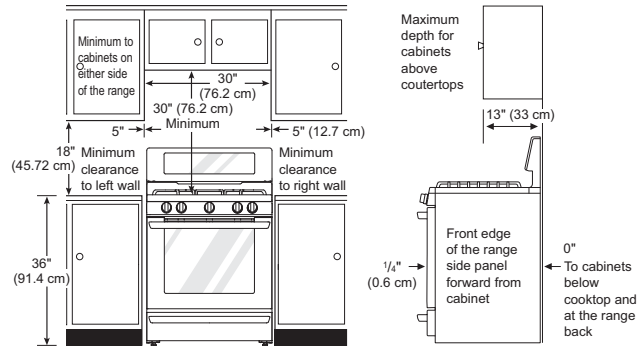
### DIMENSIONS/CLEARANCES/WEIGHT

Cabinet Width (in)	30"
Overall Depth (in) - including handle	27-31/32"
Overall Height (in) - including backguard	47-5/8"
Overall Width (in)	29-15/16"
Upper Oven Interior Dimensions (in) (W x H x D)	24-1/2" x 19-1/2" x 19 3/8"
Height to Cooking Surface (in)	36"
Drawer Dimensions (in) (W x H x D)	22-1/4" x 5" x 16-1/2"
Product Weight	227.1 lbs
Shipping Weight	268.9 lbs
Carton Dimensions (in) (W x H x D)	33-1/4" x 51-9/16" x 31-5/16"

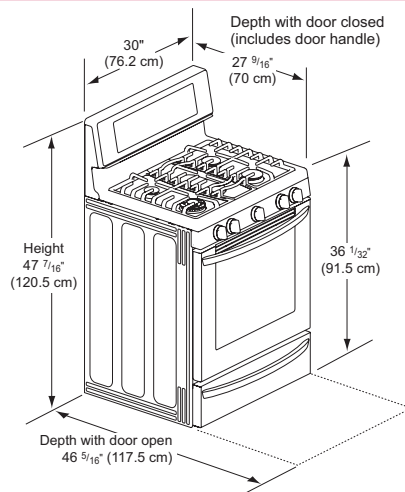
### POWER/RATINGS

Amp at 120V	3.8A
kW at 120V	460W
Requirements	120 VAC

### INSTALLATION CLEARANCES



### DIMENSIONS



### GAS PIPE AND ELECTRICAL OUTLET LOCATIONS

