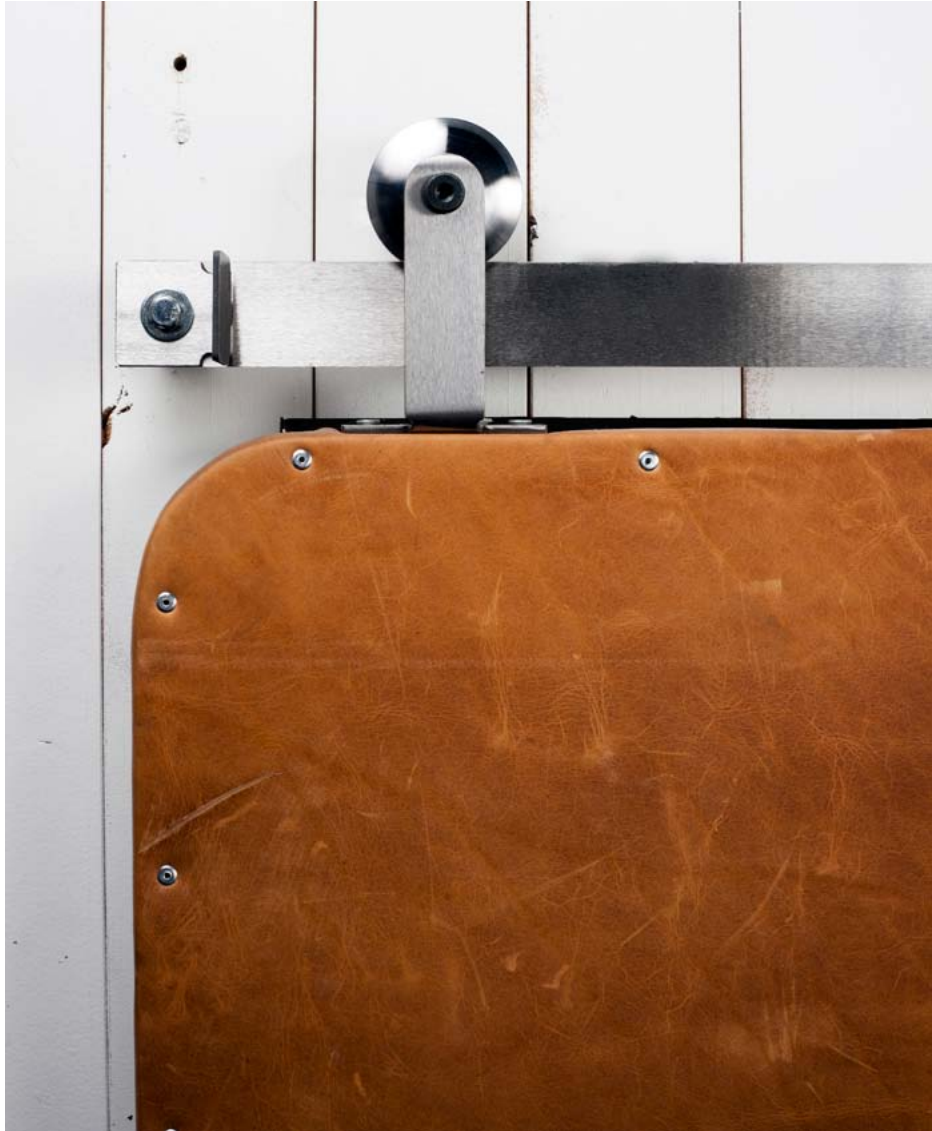


INSTALLATION INSTRUCTIONS



**TOP MOUNT MODERN
HANGER**

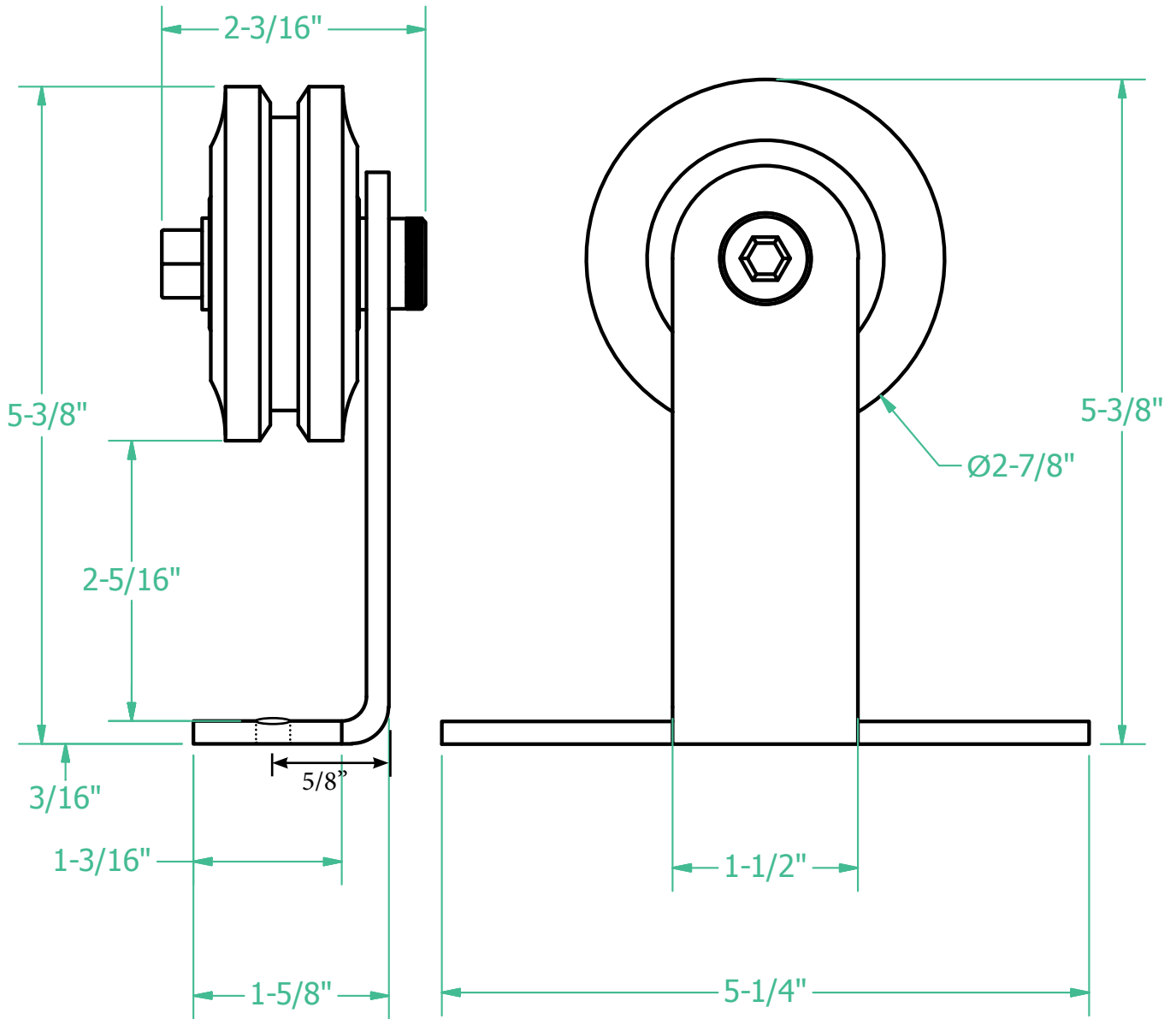


.....RUSTICAHARDWARE®.....





RUSTICAHARDWARE®



TOP MOUNT MODERN

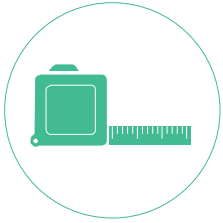
SPECIFICATIONS



PARTS AND TOOLS

INSTALLATION INSTRUCTIONS

Tools Needed



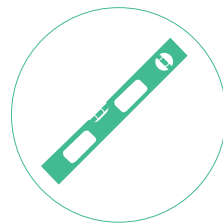
Tape Measure



Pencil



Drill with 1/8" and 1/4" bits, and a Phillips drill bit

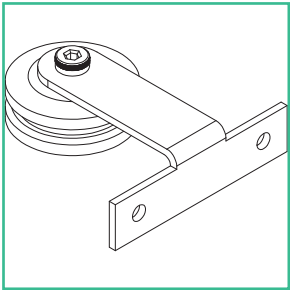


Short Level

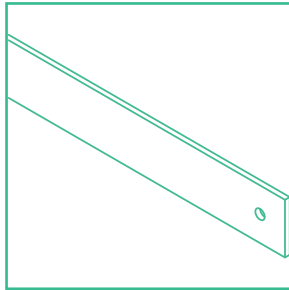


Ratchet with 9/16" socket

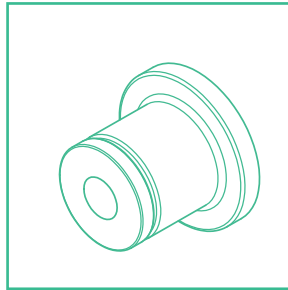
Parts Included



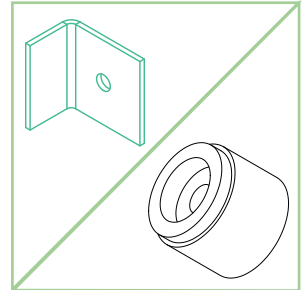
Hanger Assembly



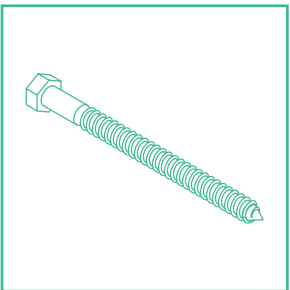
Track



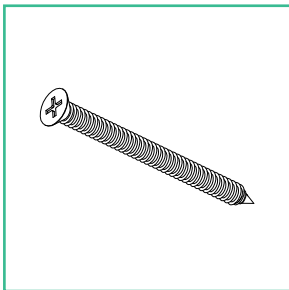
Adjustable Spacers



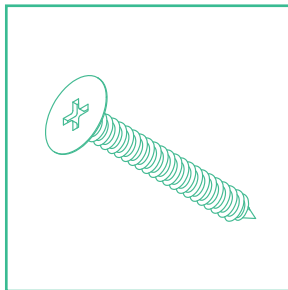
Track Stops or Lag Soft Stops



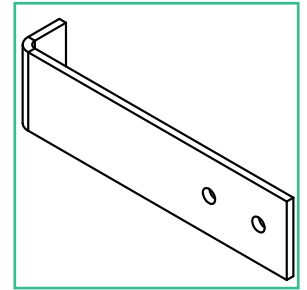
Lag Screws



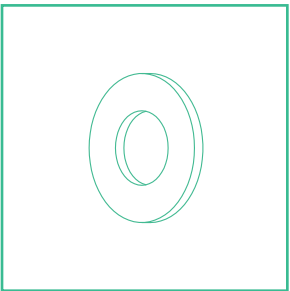
Fastener Screws



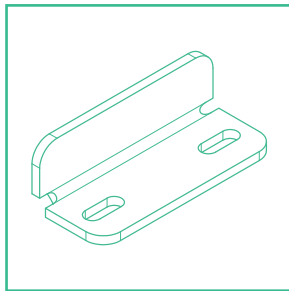
Grabber Screws



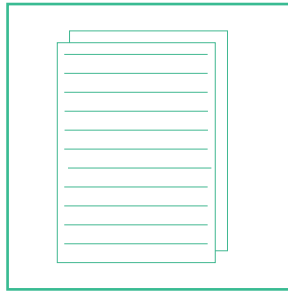
Anti-jump Brackets



1" Washers



Door Guide



Instructions



RUSTICAHARDWARE®



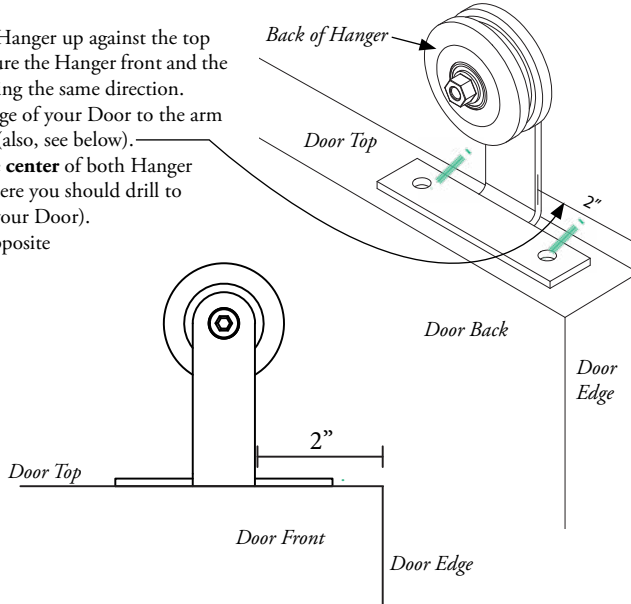
ATTACHING HANGER

INSTALLATION INSTRUCTIONS

On Square-Edged Doors

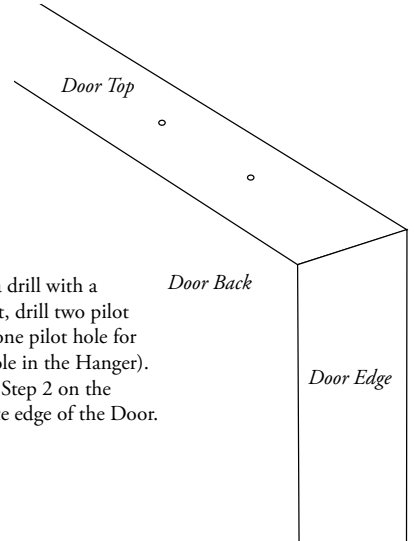
1. Measuring And Marking Your Hanger Holes

- Place your Top Mount Hanger up against the top of your Door, making sure the Hanger front and the Door front are both facing the same direction. Measure 2" from the edge of your Door to the arm portion of the Hanger. (also, see below).
- With a pencil, mark the **center** of both Hanger holes (these indicate where you should drill to attach your Hanger to your Door).
- Repeat Step 1 on the opposite edge of the Door.



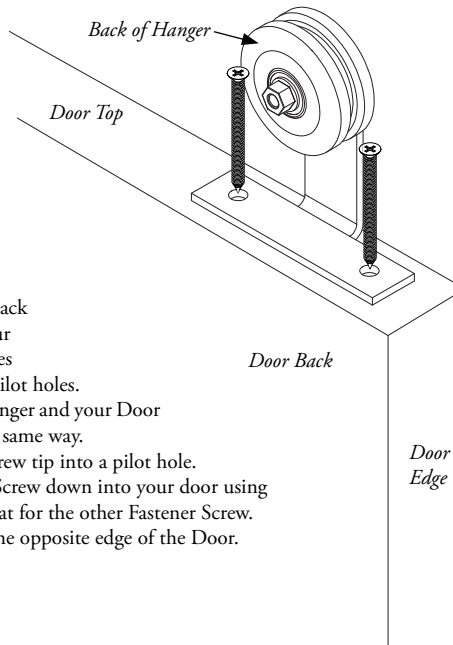
2. Drilling Pilot Holes

- Using a drill with a 1/8" bit, drill two pilot holes (one pilot hole for each hole in the Hanger).
- Repeat Step 2 on the opposite edge of the Door.



3. Installing Your Hanger Assembly To Your Door

- Place the Hanger back onto the top of your Door, with the holes centered over the pilot holes. Make sure your Hanger and your Door are both facing the same way.
- Place a Fastener Screw tip into a pilot hole. Drill the Fastener Screw down into your door using a Phillips bit. Repeat for the other Fastener Screw.
- Repeat Step 3 on the opposite edge of the Door.



RUSTICAHARDWARE®



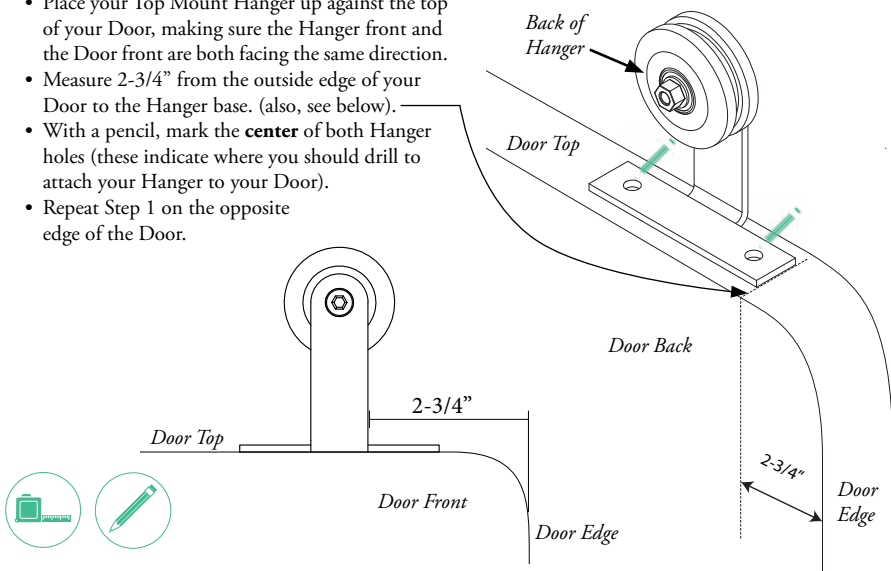
ATTACHING HANGER

INSTALLATION INSTRUCTIONS

On Curved-Edged Doors Modern Range and Bodyguard Style Doors

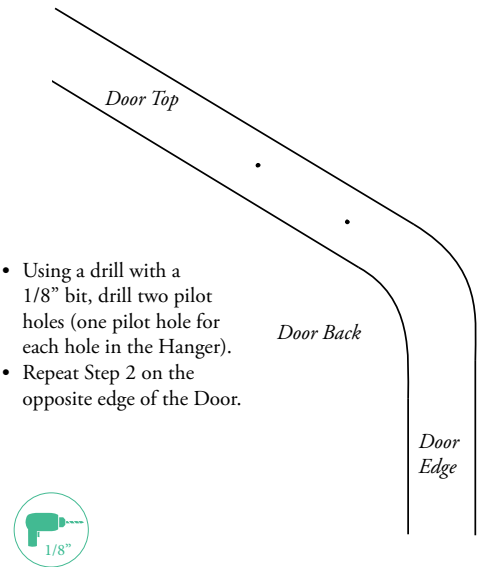
1. Measuring And Marking Your Hanger Holes

- Place your Top Mount Hanger up against the top of your Door, making sure the Hanger front and the Door front are both facing the same direction.
- Measure 2-3/4" from the outside edge of your Door to the Hanger base. (also, see below).
- With a pencil, mark the **center** of both Hanger holes (these indicate where you should drill to attach your Hanger to your Door).
- Repeat Step 1 on the opposite edge of the Door.



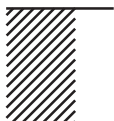
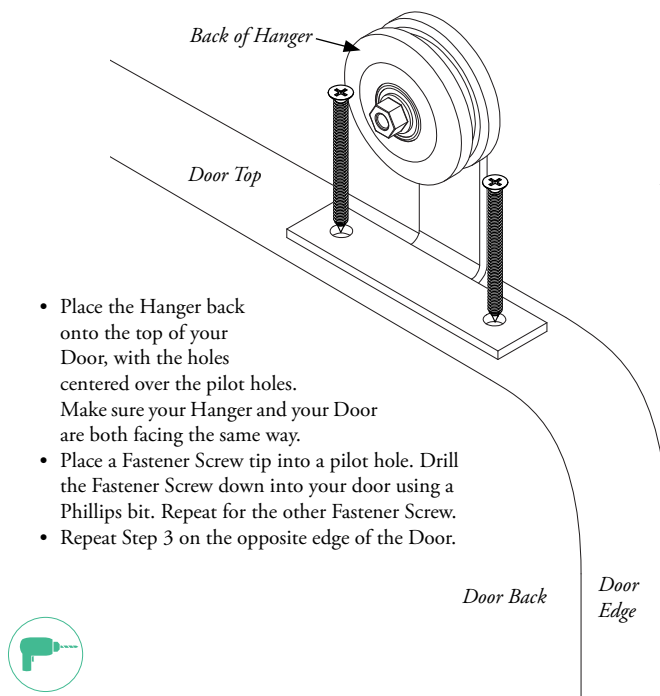
2. Drilling Pilot Holes

- Using a drill with a 1/8" bit, drill two pilot holes (one pilot hole for each hole in the Hanger).
- Repeat Step 2 on the opposite edge of the Door.



3. Installing Your Hanger Assembly To Your Door

- Place the Hanger back onto the top of your Door, with the holes centered over the pilot holes. Make sure your Hanger and your Door are both facing the same way.
- Place a Fastener Screw tip into a pilot hole. Drill the Fastener Screw down into your door using a Phillips bit. Repeat for the other Fastener Screw.
- Repeat Step 3 on the opposite edge of the Door.



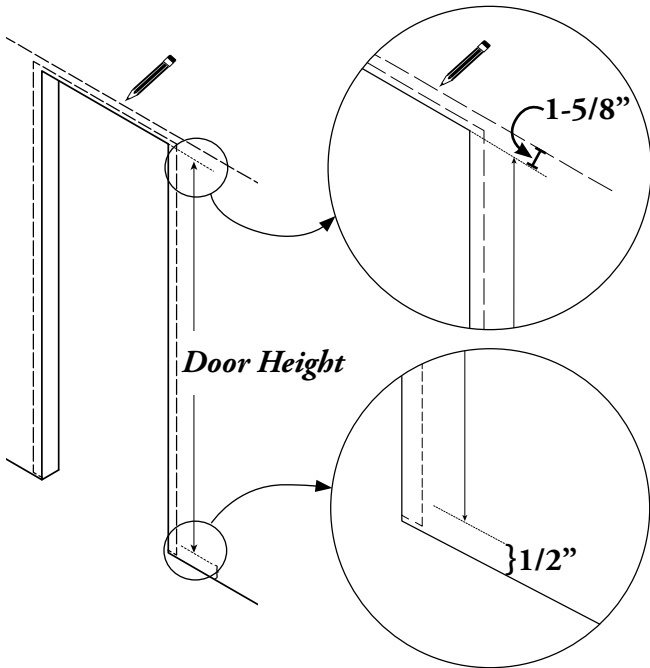
RUSTICA HARDWARE[®]



HANGING TRACK

INSTALLATION INSTRUCTIONS

1. Measuring for Track Position

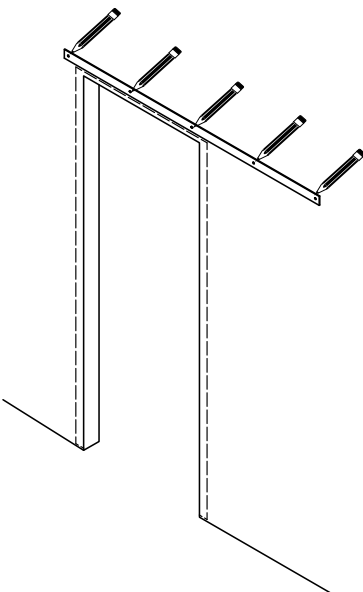


$$\begin{aligned}
 &1\text{-}5/8\text{''} \\
 &+ \text{Door Height} \\
 &+ 1/2\text{''} \\
 &= \text{# of inches up from finished floor where you will pencil a horizontal line for your track}
 \end{aligned}$$

- To determine where to install your Track, **add together 1-5/8" (space above door) plus 1/2" (floor gap) to the height of your Door.** This measurement is how high up on your wall (from your finished floor up) you should install the Track.
- This is where you will mark a horizontal line on your wall parallel to the floor, the same length of your Track.
- Check to see if your floor is level. If your floor rises more than 1/2" along the length of the Track, you risk your Door rubbing or sticking at this high point.
- If your floor is not level, measure up from the highest point of your floor to find your Track hole center position to attach the Track to your wall.



2. Marking and Drilling Track Holes

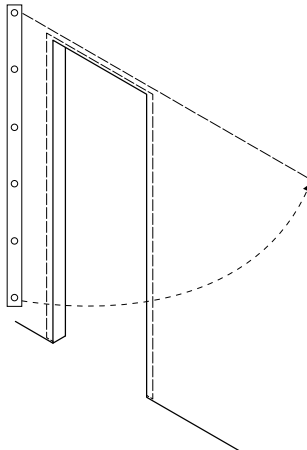


- Hold up your Track so that the marked line from the previous step is visible through the Track holes.
- Mark an intersecting line in the center point of each of the Track holes.
- Set the Track down.
- Using a drill with 1/4" drill bit, drill out your marked Track holes.*

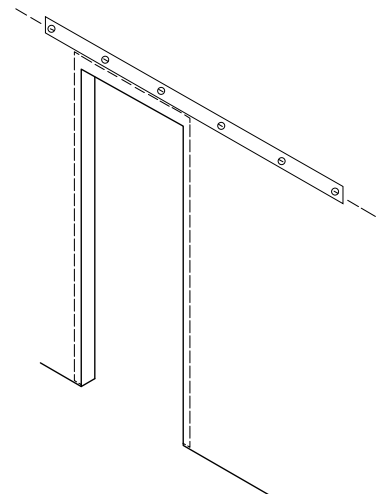
**Be sure you are drilling into wall studs. If your track holes are not lining up with your studs, you will need to install your Track onto a header. The header needs to be attached to your wall through the studs. This will provide the stability your wall needs to hold the weight of your Door.*



3. Hanging Your Track



- Loosely attach one end of the Track using a Track Stop or a Lag Stop (see next page).
- Swing the Track up and loosely attach the other end, using a Track Stop or a Lag Stop (see next page).



- The center holes can now be loosely attached (see next page).



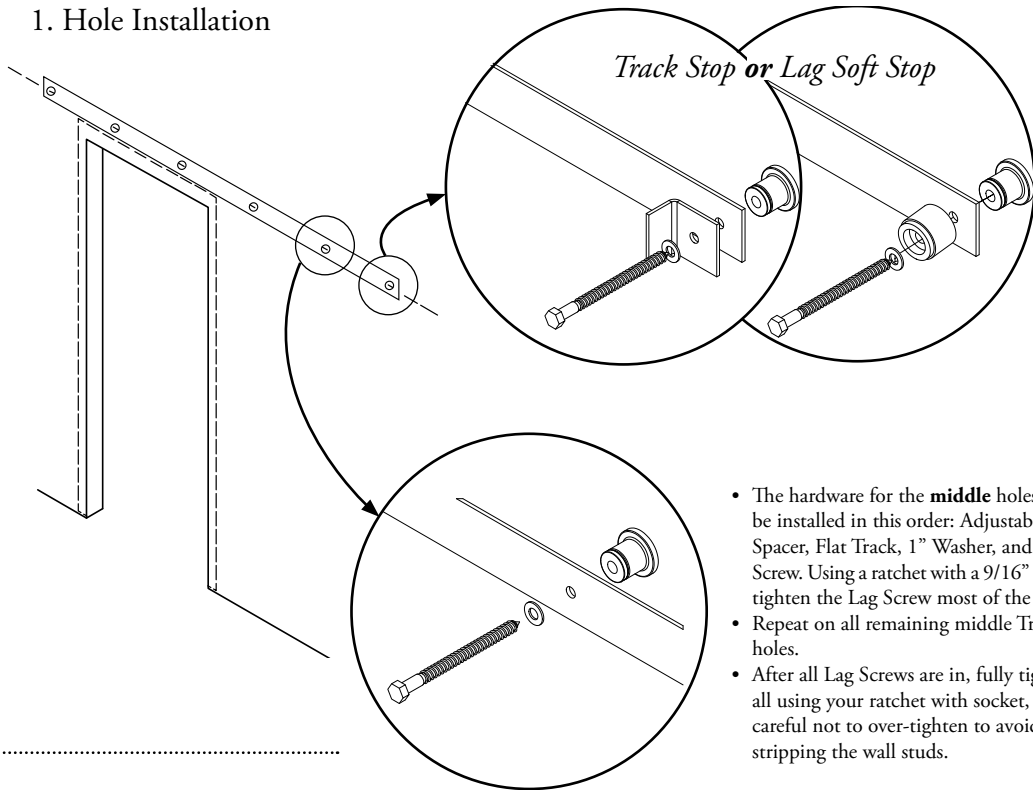
RUSTICAHARDWARE®



INSTALLING GUIDE

INSTALLATION INSTRUCTIONS

1. Hole Installation



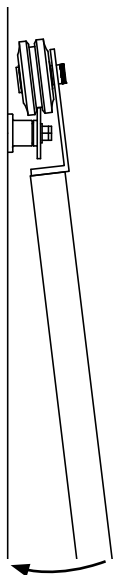
- The **outside** holes will be installed with either a Track Stop **or** a Lag Soft Stop.
- In this order: Adjustable Spacer, Flat Track, [Track **or** Lag Soft] Stop, 1" Washer, and Lag Screw. Using a ratchet with a 9/16" socket, tighten the Lag Screw most of the way, enough to hold the Track in place, but allowing the Track to move.
- Swing the Track up to be horizontal, and repeat the same step on the opposite end of the Track.



- The hardware for the **middle** holes will be installed in this order: Adjustable Spacer, Flat Track, 1" Washer, and Lag Screw. Using a ratchet with a 9/16" socket, tighten the Lag Screw most of the way.
- Repeat on all remaining middle Track holes.
- After all Lag Screws are in, fully tighten all using your ratchet with socket, being careful not to over-tighten to avoid stripping the wall studs.

2. Installing Your Door

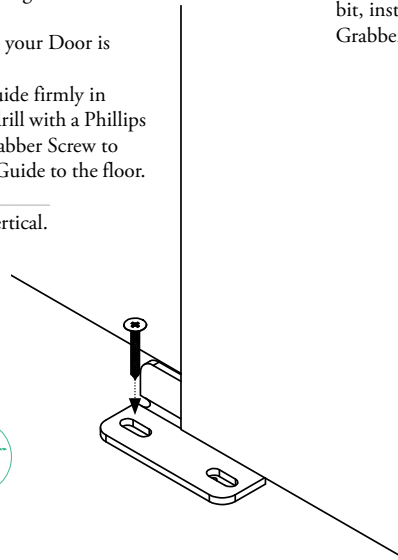
- Lift your Door up to your Track at a slight angle.
- Carefully rest both Wheel grooves onto the top of the track.
- Guide the Door to the resting position.



3. Door Guide Part 1

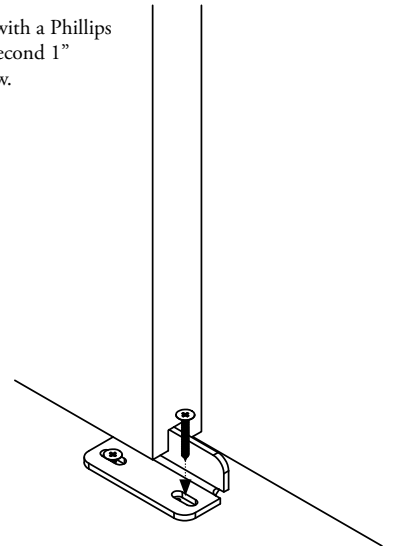
- Use your level to plumb* your Door.
- With the Door in the closed position, place the Door Guide half way into the Door mortise (the groove that runs along the bottom of a wood Door).
- Double check that your Door is plumb.*
- Hold the Door Guide firmly in position. Using a drill with a Phillips bit, install a 1" Grabber Screw to secure your Door Guide to the floor.

*Plumb - perfectly vertical.



4. Door Guide Part 2

- Slide the Door into the open position exposing the other edge of the Door Guide.
- Using a drill with a Phillips bit, install a second 1" Grabber Screw.



RUSTICAHARDWARE®

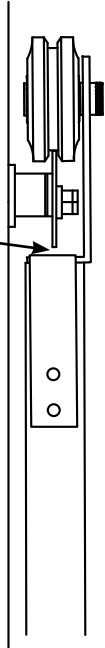
INSTALLING GUIDE

INSTALLATION INSTRUCTIONS

On Square-Edged Doors

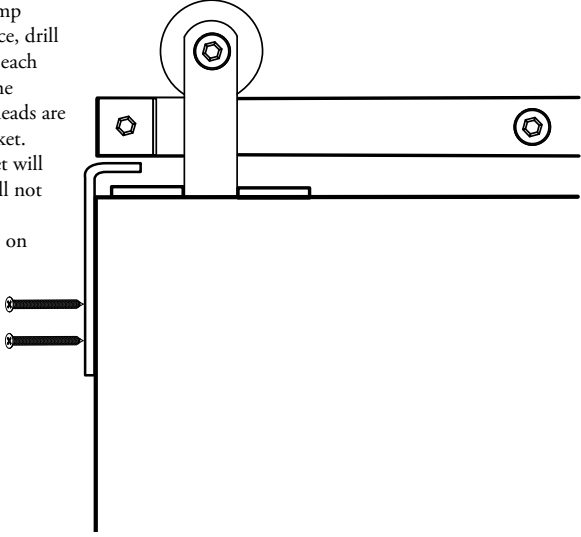
1. Aligning Anti-jump Bracket

- With your Door still hanging on the Track, place your Anti-jump Bracket against the outside edge of your Door.
- Slide the Bracket up until there is a 1/16" to 1/8" space between the top of the Anti-jump Bracket and the bottom of the Track.



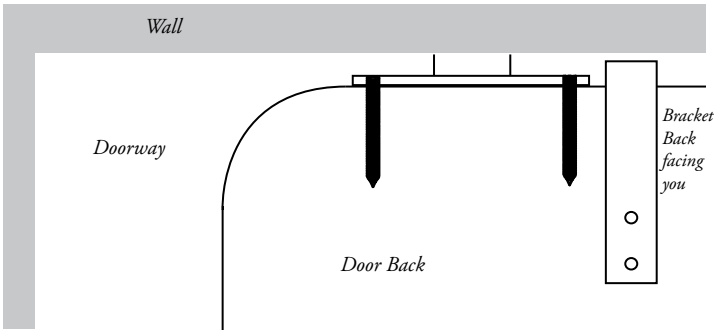
2. Installing Anti-jump Bracket

- Holding the Anti-jump Bracket firmly in place, drill Grabber Screws into each of the two holes in the Bracket until screw heads are flush with your Bracket. Installing this Bracket will ensure your Door will not come off its Track.
- Repeat Steps 1 and 2 on the opposite edge of the Door.

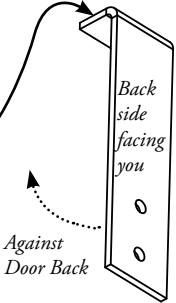


On Curved-Edged Doors Modern Range and Bodyguard Style Doors

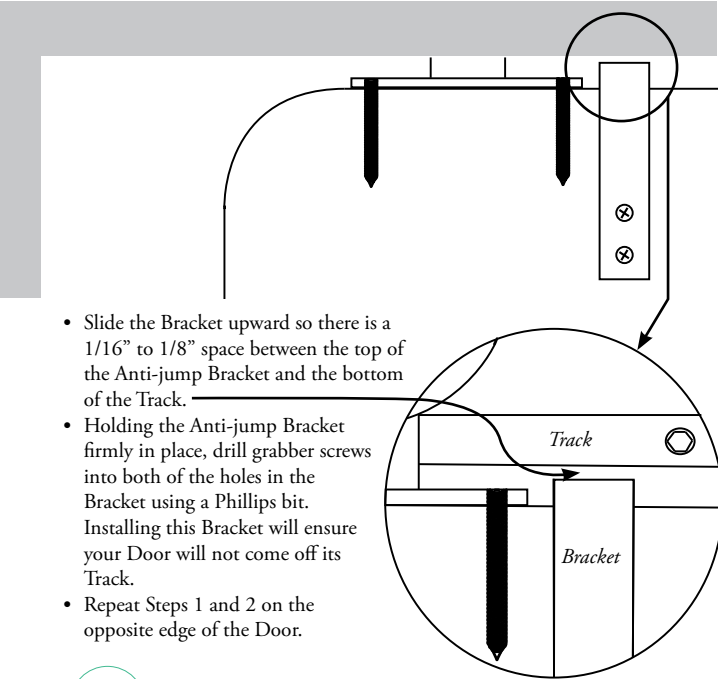
1. Aligning Anti-jump Bracket



- With your Door still hanging on the Track, pull your Door out into the open doorway so you can access the back of your Door.
- Place the Anti-jump Bracket against the back of the Door, with the small edge on the top of the bracket going over the Door top. Be careful not to align the holes in the bracket over the screws attaching your Hanger to the Door.



2. Installing Anti-jump Bracket



- Slide the Bracket upward so there is a 1/16" to 1/8" space between the top of the Anti-jump Bracket and the bottom of the Track.
- Holding the Anti-jump Bracket firmly in place, drill grabber screws into both of the holes in the Bracket using a Phillips bit. Installing this Bracket will ensure your Door will not come off its Track.
- Repeat Steps 1 and 2 on the opposite edge of the Door.



ENJOY INSTALLATION INSTRUCTIONS



Thank you for your purchase from Rustica Hardware. We hope that your purchasing and installation experience was exceptional. If you need installation assistance or have any feedback, we would love to hear from you.

www.RusticaHardware.com

1.800.891.8312



RUSTICAHARDWARE®

