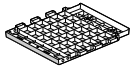


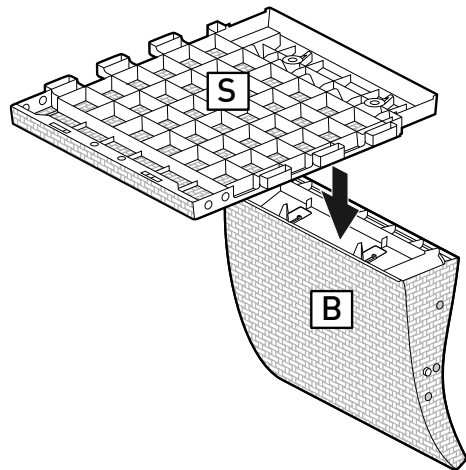
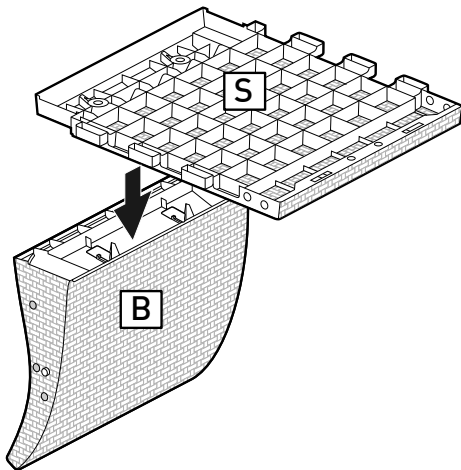
1



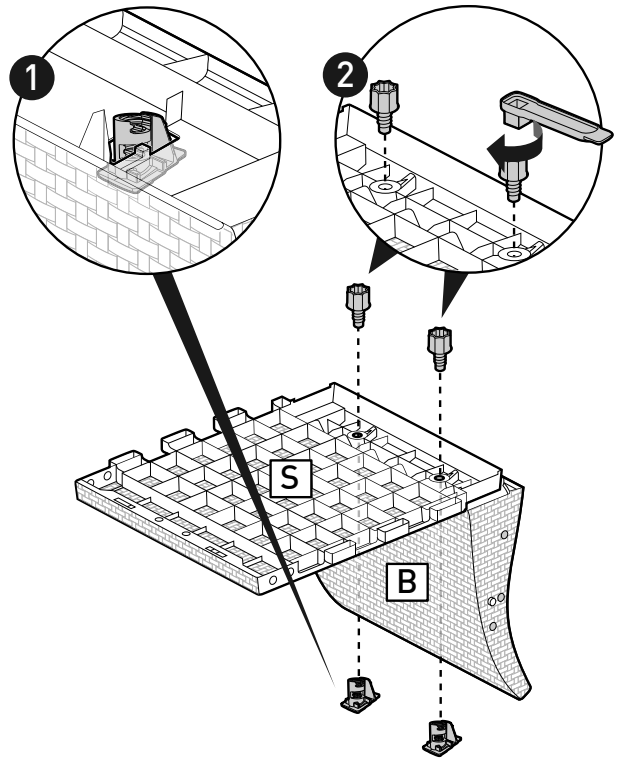
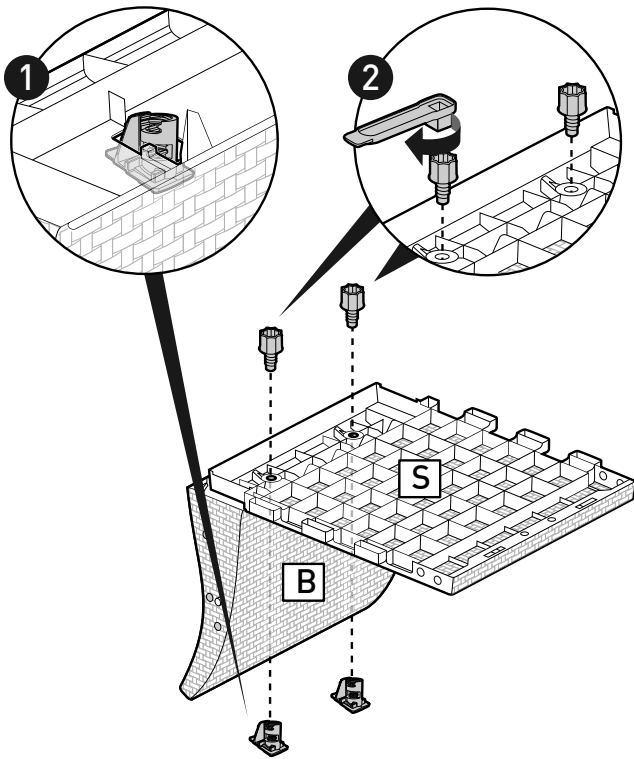
Bx2



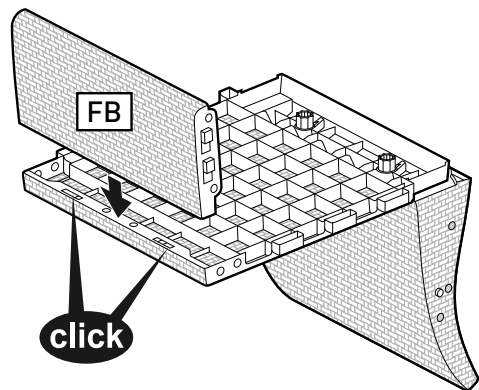
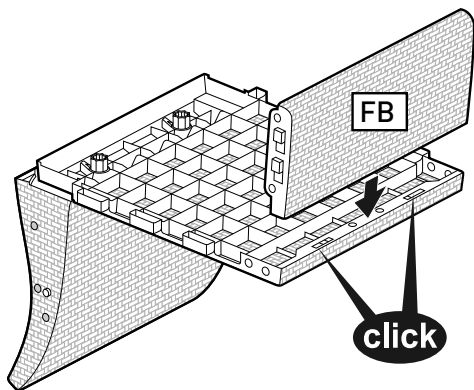
Sx2

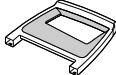
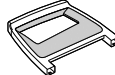
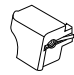
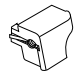
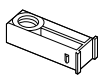


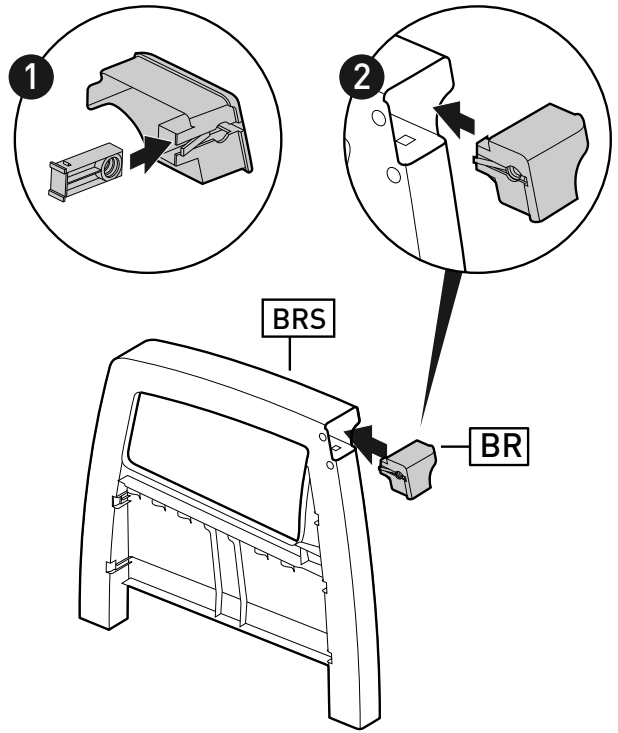
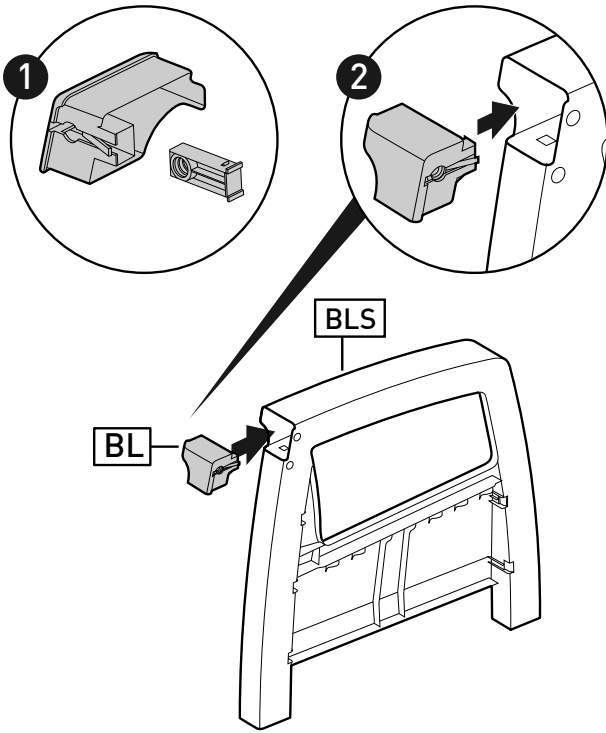
- 2
 LBNx2
 RBNx2
 SCx4
 Kx1

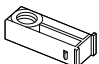


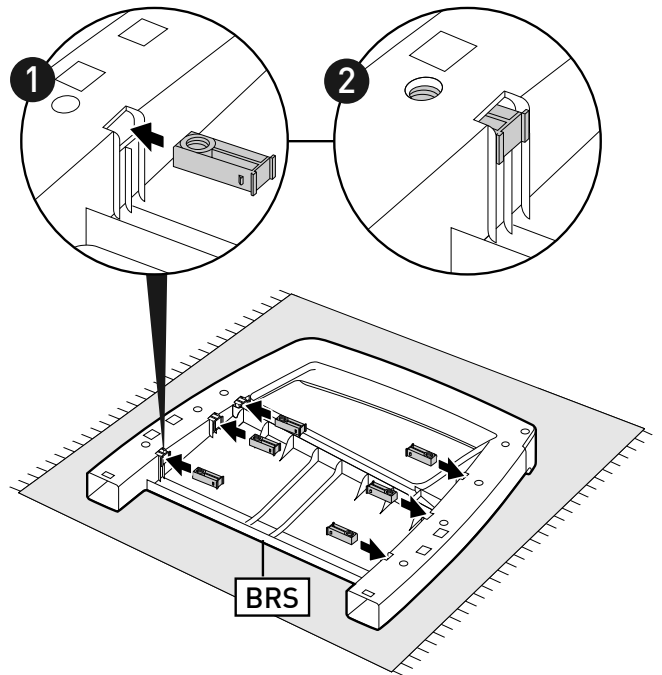
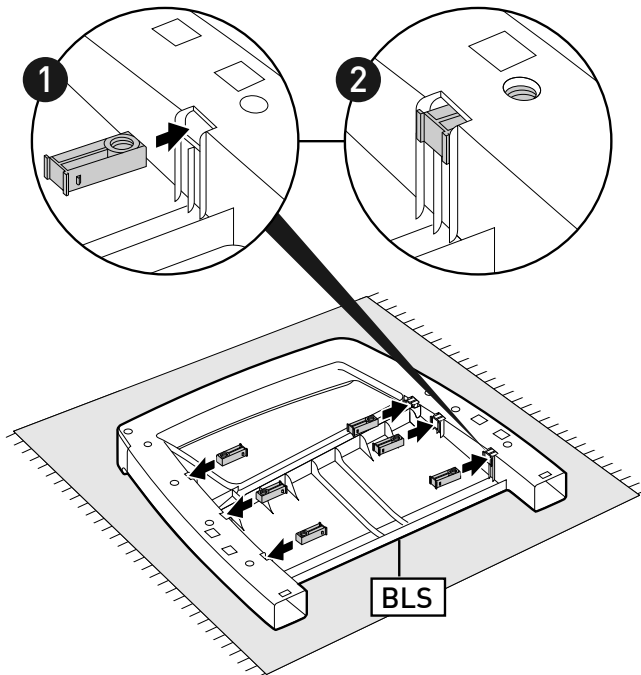
- 3
 FBx2



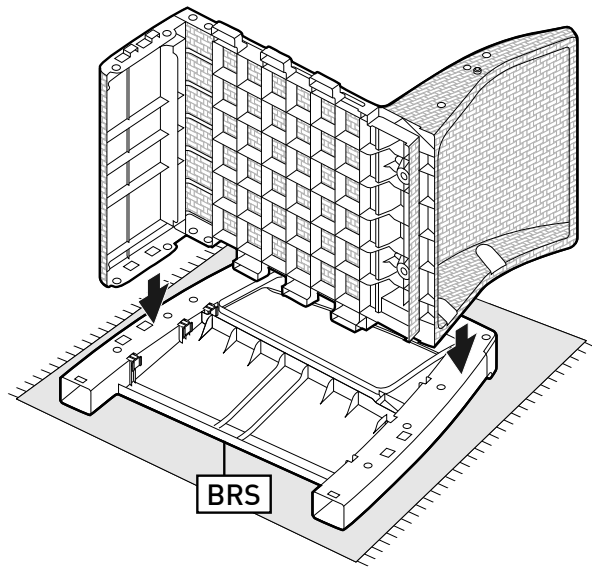
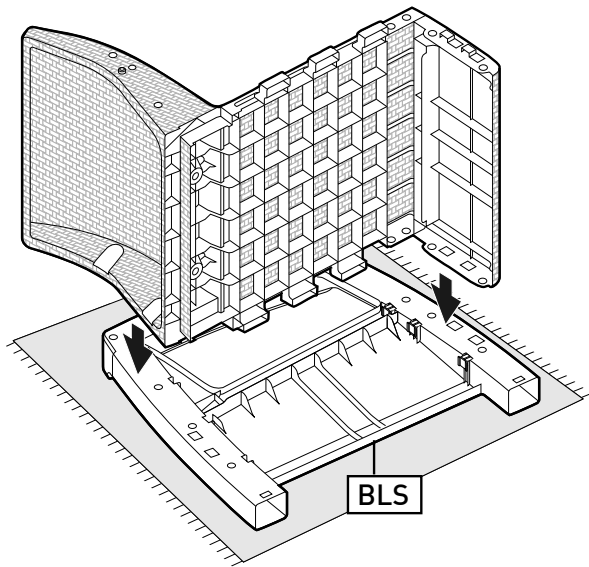
**4** |  BLSx1 |  BRSx1 |  BLx1 |  BRx1 |  Nx2



**5** |  Nx12



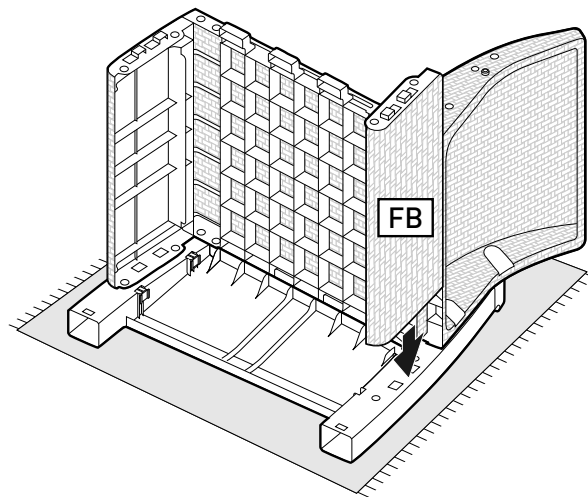
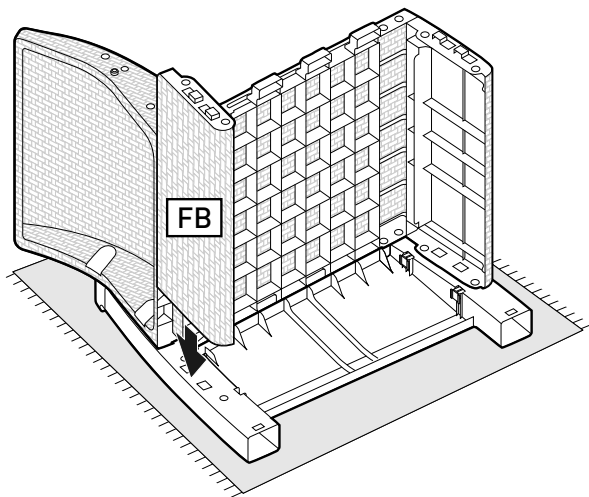
6



7



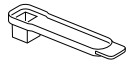
FBx2



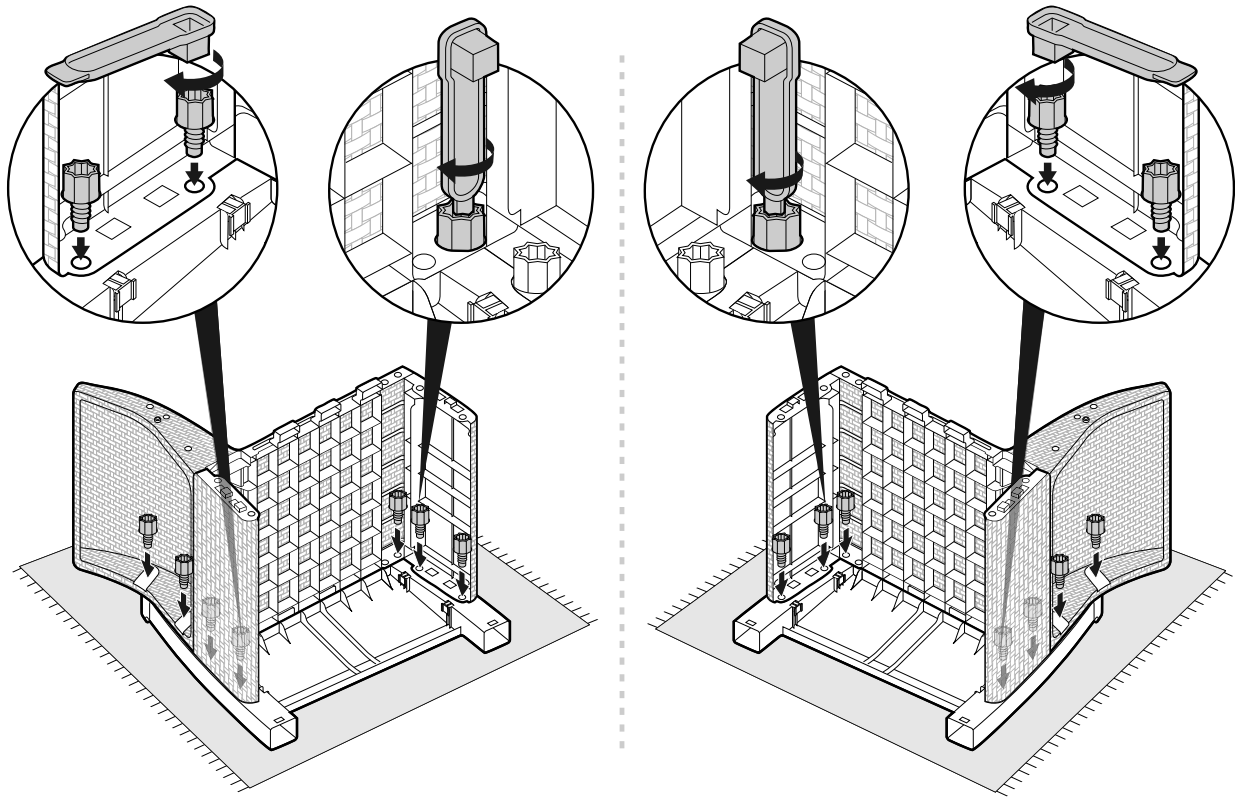
8



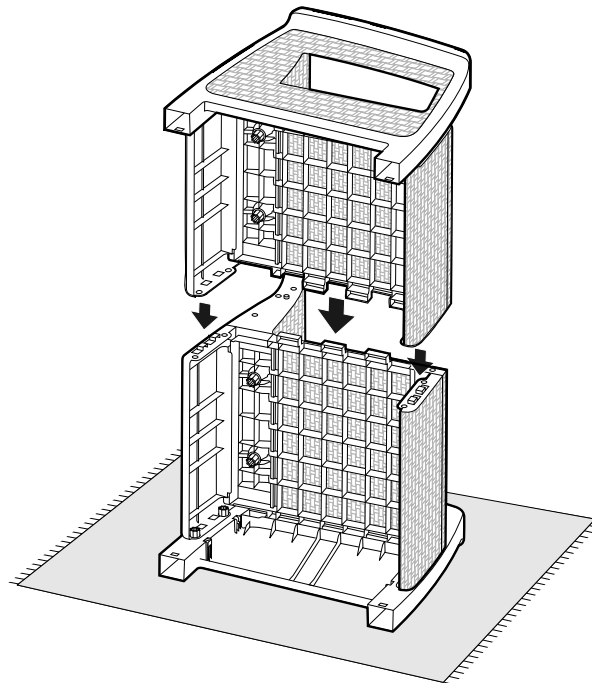
SCx14



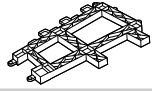
Kx1



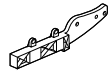
9



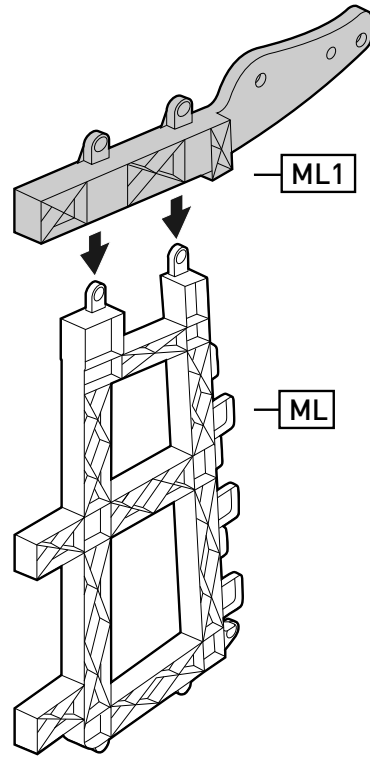
10



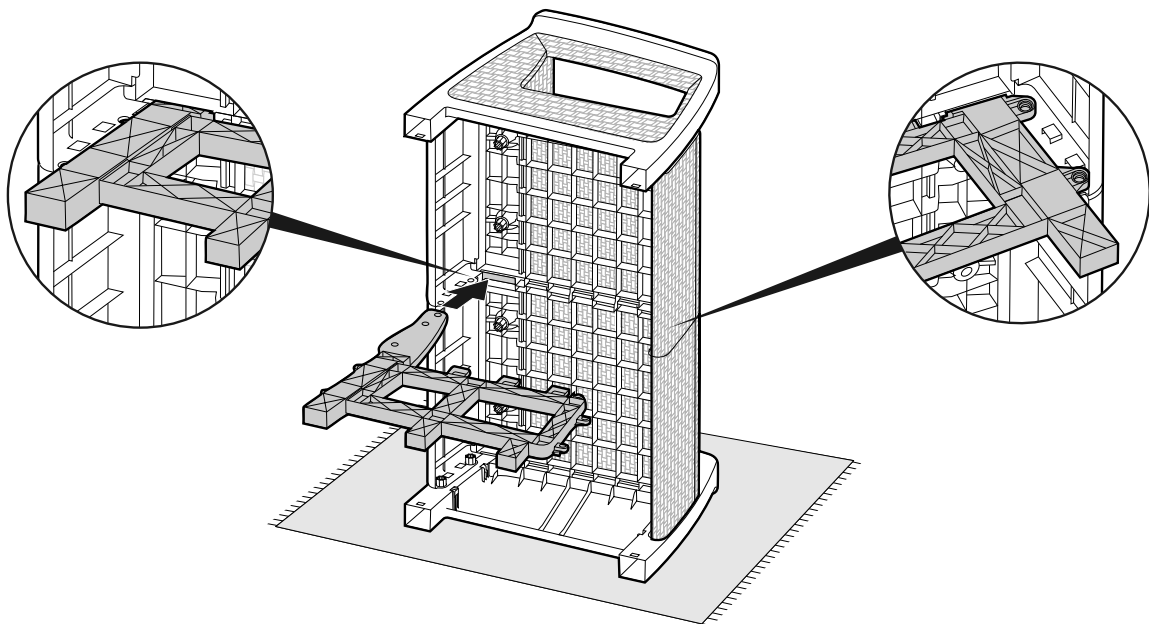
MLx1



ML1x1



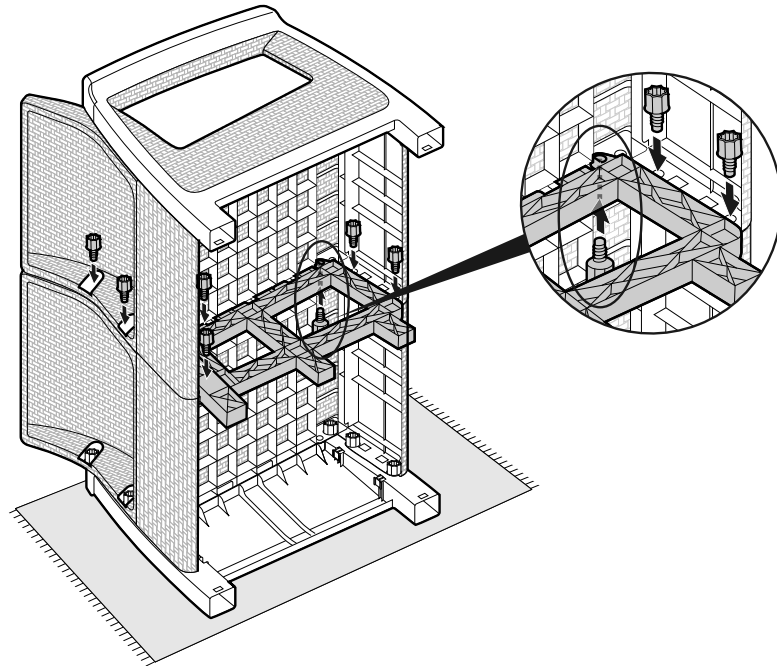
11



12



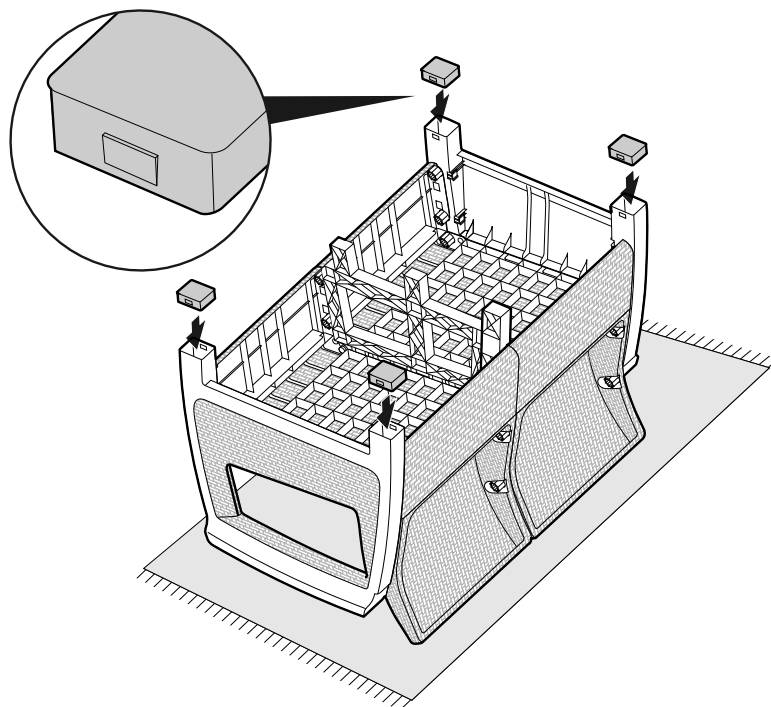
SCx7



13



BLPx4



14



1x2



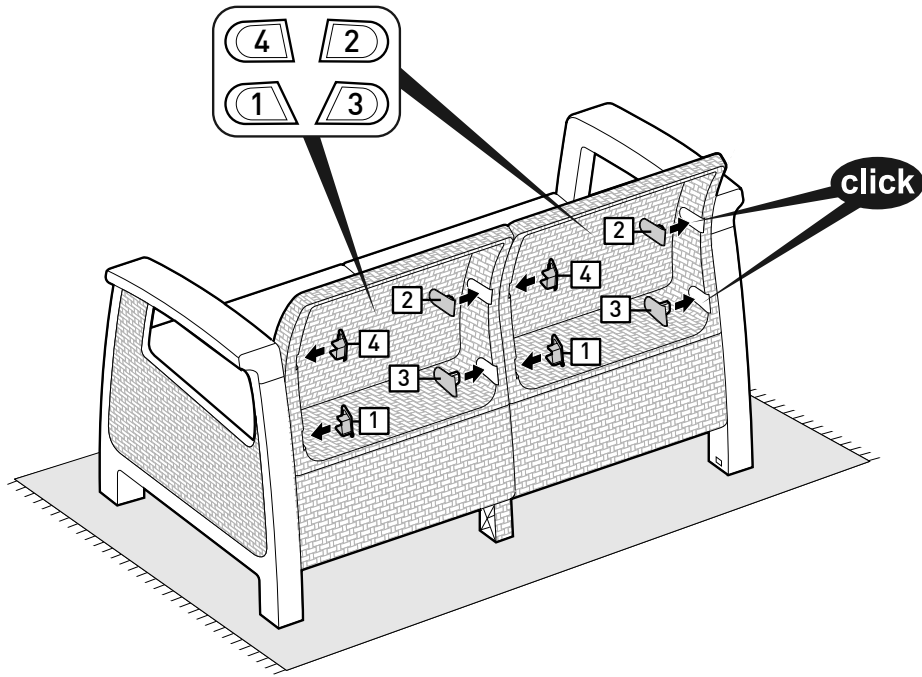
2x2



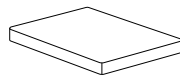
3x2



4x2



15



Cx2

