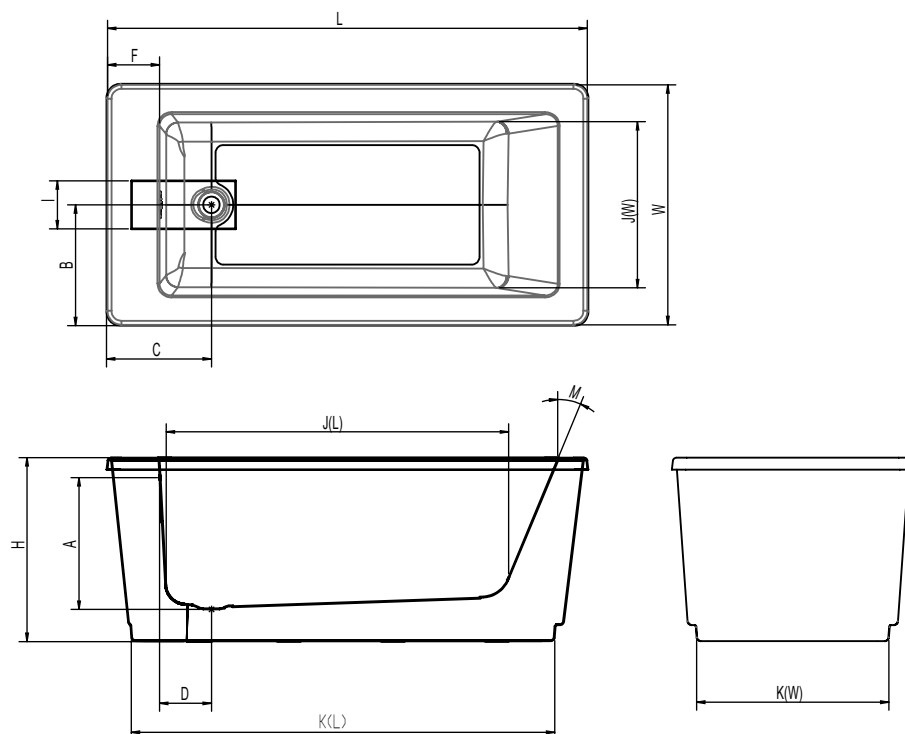


Projecta™ 6030 Freestanding Technical Specifications

Letter	Description	R6F6030
-	Drain Location	Left Hand / Right Hand
-	Pump Location	N/A
-	Cutout Template	N/A
-	Total Weight	857 lb
-	Floor Loading	67 lb/ft ²
-	Operating Gallons (Max)	62
-	Product Weight - Empty	90 lb
-	Soaking Depth	16"
L	Outer Length	60.00" (1524 mm)
W	Outer Width	30.00" (762 mm)
H	Overall Height	23.00" (584 mm)
A	Overflow Height	16.5" (419 mm)
B	Long Edge to Drain Center	15.125" (384 mm)
C	Short Edge to Drain Center	13.125" (333 mm)
D	Drain Shoe Length	6.5" (165 mm)
E	Flange Height	N/A
F	Deck Width	6.5" (165 mm)
G	Service Access Dimensions	N/A
I	Floor Cutout for Drain	13.00" x 6.00" (330 mm x 152 mm)
J	Interior Dimensions J(L) x J(W) Bottom of Bath	42.75" x 20.75" (1086 mm x 527 mm)
K	Skirt Base Dimensions K(L) x K(W)	53.00" (1346 mm) x 24.00" (610 mm)
M	Backrest Angle	22.5 °

KEY DIMENSIONS [NOTE: The overall dimensions are nominal with a tolerance of +0 and -.25" (6mm).]


Refer to installation instructions included with fixture before beginning installation. Please confirm product availability and specifications before commencing with any installation work.

PRODUCT SPECIFICATIONS AND AVAILABILITY ARE SUBJECT TO CHANGE WITHOUT NOTICE