



## Rainfall Shower System

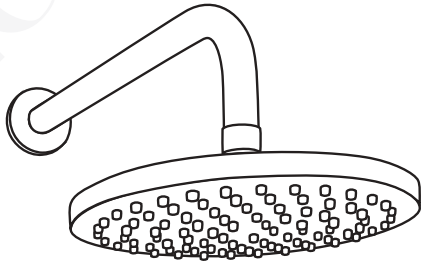
Pressure Balance Valve and Shower Trim Installation

SS-B01-TB (Brushed Nickel)

SS-B01-TC (Chrome)

SS-B01-TM (Matte Black)

SS-B01-TO (Oil Rubbed Bronze)



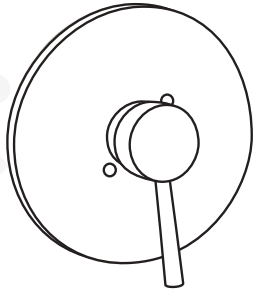
### Specifications:

Shower head flow rate: maximum 1.8 gpm at 80 psi

Plumbing connection: standard 1/2" pipe fitting

### Tools and Materials Needed:

1. Safety Glasses
2. Teflon (PTFE) Tape
3. Plumber's Putty and Caulking
4. Tube Cutter
5. Adjustable Wrench
6. Screwdriver Sets
7. Touch
8. Hacksaw
9. Marker



### IMPORTANT!

- Read and understand this instructions completely before installation. Failure to follow these instructions could prevent the valve from working properly. Consult a professional installer if needed.
- This installation guide is subject to change without notice, please contact us to request the most updated version of this installation guide.
- This is a general installation guideline, actual installation may vary. It is recommended the installation is performed by a trained and experienced installer.
- Please follow all local building and plumbing codes.
- Product drawings in this installation guide is for illustration purpose only. Actual product may vary depends on model.
- Always take extra precautions and wear appropriate safety equipment when installing this product.
- Unpack and inspect the shower panel from the package for shipping damage and make sure all parts are included with the shower panel.
- Keep the product in its package until you are ready to install.
- Make sure the installation site is clean and free of dust and debris.
- Please make sure the water supply is shut off to the installation area. If necessary, shut off the water to the entire house.
- Turn on the water at a bathroom faucet in the house to relieve the pressure in the plumbing system.

Thank you for purchasing Luxier products. Please read the information below and keep this installation guide for future reference. If you require assistance, please contact our customer service department at 1-877-711-8828, Monday - Friday 9AM - 5PM Pacific Time or by email at [support@luxierusa.com](mailto:support@luxierusa.com).

#### Limited Lifetime Warranty (For USA Only)

The manufacturer warrants this product to be leak and drip free during daily normal household use for as long as it is owned by the original purchaser of this product. Please keep a copy of the original invoice as proof of purchase.

Should a malfunction occur within the warranty period, Luxier USA will, as its option, (1) repair or replace the defective part(s) or product at no charge; (2) issue a refund of the purchase price paid for the product (Valid within 30 days from the date of purchase); or (3) issue a credit to be applied against the purchase of a new Luxier product. Shipping/delivery charges may apply and are in Luxier USA's sole discretion.

This limited warranty shall not apply to goods which have been subject to accident, negligence, improper installation, product abuse, product misuse, or use of cleaners containing abrasives, alcohol or other organic solvents, whether performed by a contractor, service company, or yourself, are excluded from this warranty.

Our responsibility under this warranty is limited to only to replacement parts and no other costs. Luxier USA will not be responsible for labor charges and/or damage incurred by installation, repair or replacement, nor for any indirect incidental or consequential damages, losses, injury or costs of any nature relating to this faucet. Except as provided by law, this warranty is in lieu of and excludes all other warranties, conditions, and guarantees, whether expressed or implied, statutory or otherwise, including without restriction those merchantability of fitness for use.

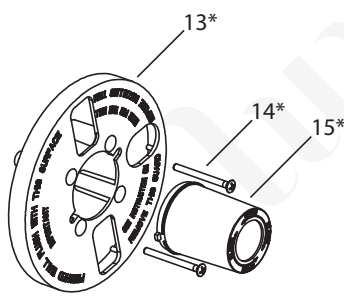
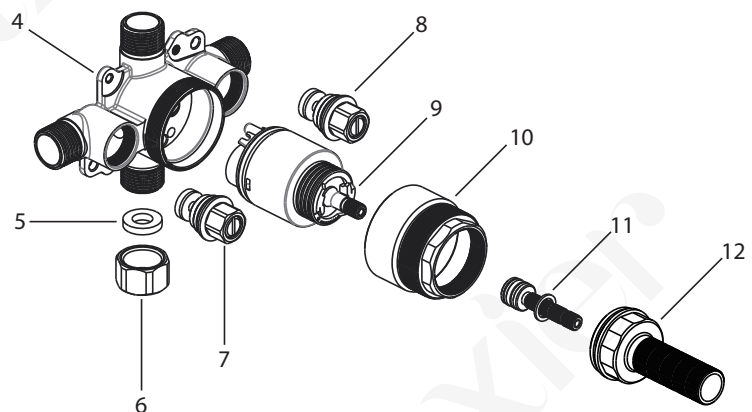
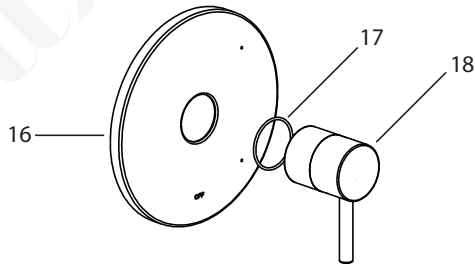
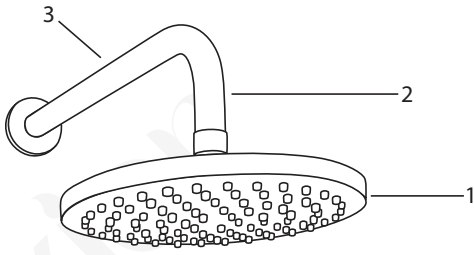
This limited warranty is non-transferable. This limited warranty only applies to products purchased and installed in the United States. This limited warranty covers the original consumer purchase only and does not include business, commercial or industrial use of this product. To obtain service under the Limited Warranty, please contact Luxier USA at [support@luxierusa.com](mailto:support@luxierusa.com). The Luxier USA Customer Care Department will determine whether to repair or replace your product, issue a refund, or issue a credit.

#### Maintenance Guide

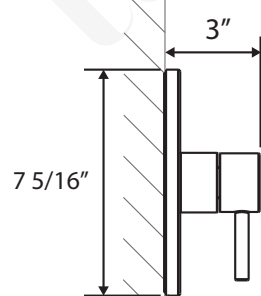
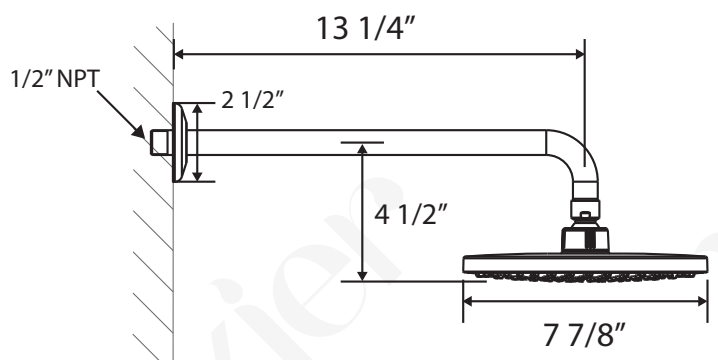
Please follow the cleaning material manufacturer's instructions. Damage caused by improper treatment will not be covered by product warranty. In addition, pay attention to the following points:

- Regular cleaning can prevent mineral build up on faucet spout.
- Carefully read the cleaner product label to ensure the cleaner is safe for use on the material.
- Test the cleaner on a small area before using on the entire surface.
- Use a mild detergent such as liquid dishwashing soap and warm water for cleaning.
- Do not use abrasive / harsh chemical when cleaning the fixture as they will damage and dull the finish.
- When using spray cleaners, spray first onto a soft cloth or sponge. Never spray directly onto the faucet as droplets can enter openings and gaps and cause damage.
- After cleaning, rinse thoroughly with clean water to remove any cleaner residue.

# Parts Diagram & Dimensions



- 01 Shower Head
- 02 Shwoer Arm
- 03 Flange
- 04 Valve Body
- 05 Rubber Gasket
- 06 Cap
- 07 Stop Valve
- 08 Stop Valve
- 09 Pressure Balance Cartridge
- 10 Cartridge Nut
- 11 Stem Extension
- 12 Threaded Nipple
- 13 Protective Cover\*
- 14 Temporary Screws\*
- 15 Protective Sleeve\*
- 16 Escutcheon
- 17 O-Ring
- 18 Handle



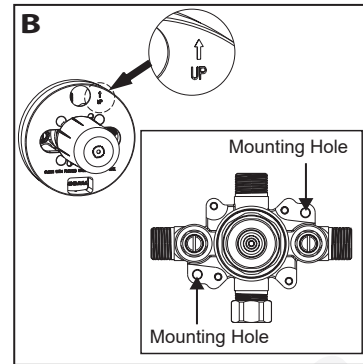
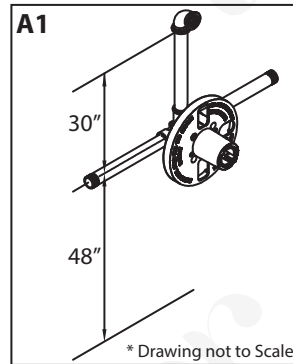
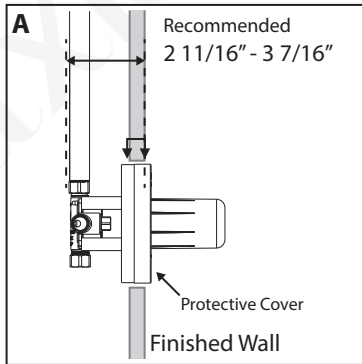
\* will not be used in final installation

\* Drawings not to Scale. All Measurements are Approximate \*

## Installation

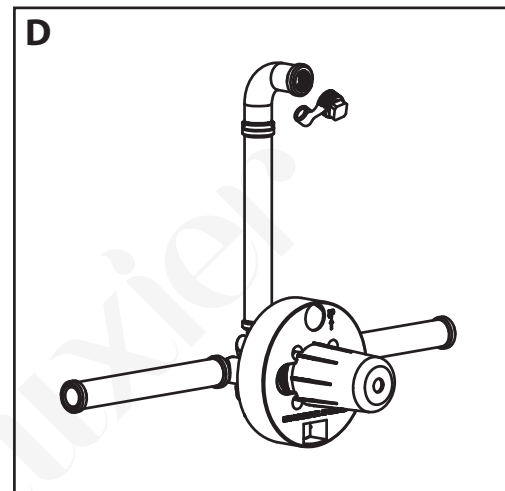
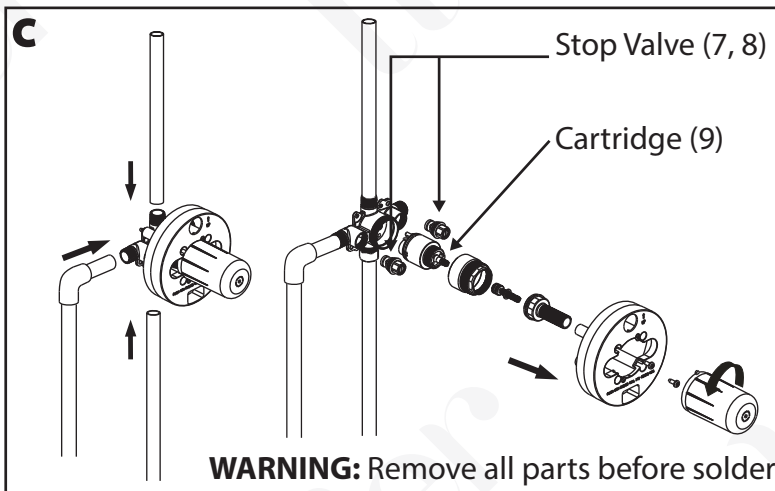
1. Position valve body in wall. It is recommended the valve to be about 48" above the floor and shower outlet to be about 30" above the valve (Fig. A1) The finished wall should be set between the markers on the temporary protective cover. The recommended depth is 2 11/16" to 3 7/16". (Fig. A) Make sure the **UP** outlet is pointed upward. (Fig. B)

**NOTE:** Valve access hole on the wall should be 6" in diameter and outlet hole for shower arm is about 1 1/4" in diameter.



2. Connect the valve to the plumbing with proper fittings. Perform a dry fit before soldering pipes to the valve. (Fig. C)

**WARNING:** Exposure to high temperature will damage the cartridge (9) and stop valves (7, 8). Remove these parts before soldering.



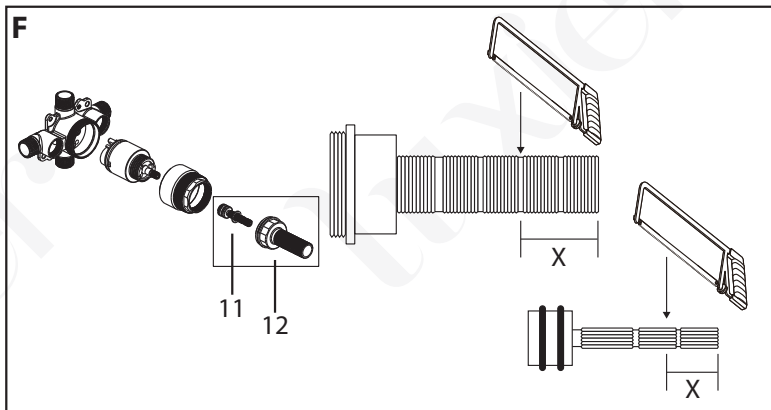
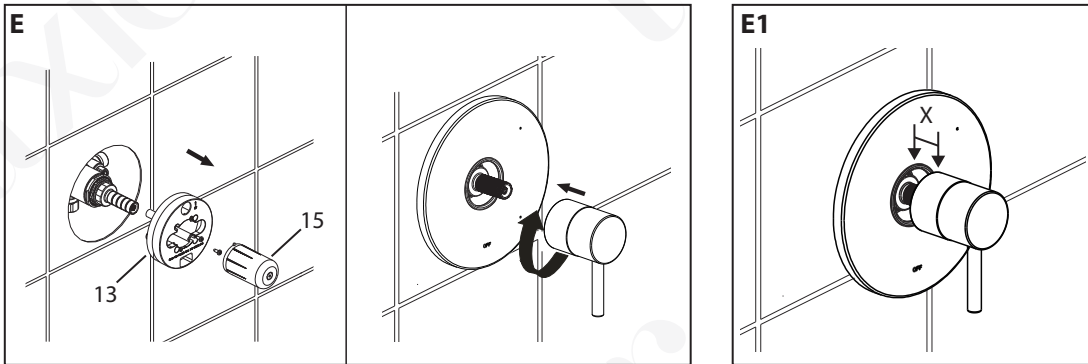
3. After the pipes are soldered, install the stop valves (7, 8), cartridge (9), stem (11), and threaded nipple (12) back onto the valve body.

4. Pressure test and flush the valve. **NOTE:** Pressure must be approximately equal on both hot and cold side for the valve to function properly. (Fig. D)

- Install a 1/2" iron pipe plug (not included) on the shower outlet.
- Turn the valve to ON position and check all connections for leaks for about a minute.
- Turn the valve to OFF position after pressure test. Make sure the pipes are free of debris or sediments and remove the 1/2" plug.

## Installation (Cont.)

5. Remove and discard the protective sleeve (15) and cover (13) from the valve. Slide the escutcheon onto the valve. Attach the handle (18) as shown in Fig. E. Place the handle assembly on the stem extension (12) and turn the handle clockwise to install the handle. If there is a gap when the handle is attached to the valve measure and write down the distance of the gap between the handle and the escutcheon plate as shown in Fig. E1.



6. Remove the handle and the escutcheon plate and set them aside. Remove the threaded nipple (12) and the stem (11) from the valve body. Use a hacksaw to trim the threaded nipple (12) and valve stem (11) based on the measurement taken in step 5 figure E1 as shown in figure F. (**NOTE:** Trim the pieces separately, do not trim both parts at the same time. It is best to cut off only small amount of the brass stem and test fit the handle.) (**NOTE:** Do not trim the stem (11) and threaded nipple (12) directly on the cartridge because it will damage the cartridge)

7. Re-install the threaded nipple (12) and stem (11) assembly to the valve body. Carefully slide the escutcheon plate onto the valve and attach the handle assembly shown in figure G.

8. Slide the flange (3) onto the shower arm (2) and apply PTFE tape to both ends of the shower arm. Attach the shower arm to the plumbing and slide the flange on the wall. Attach the shower head (1) as shown in Fig. H. (**NOTE:** Do not over tighten the connections.) The installation is now complete.

